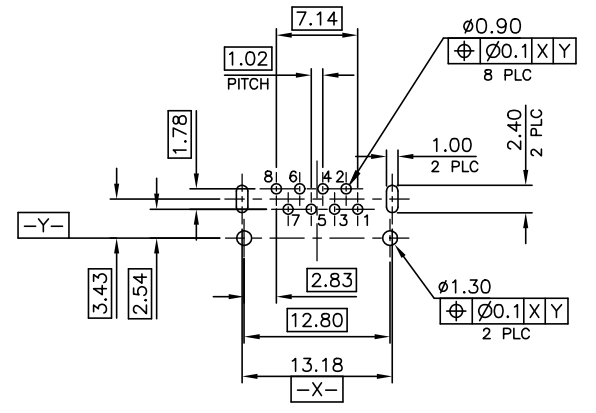
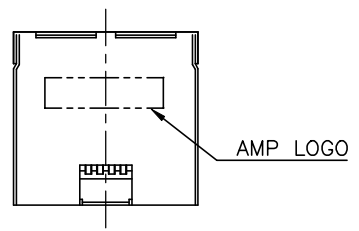
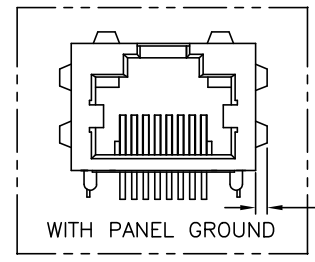
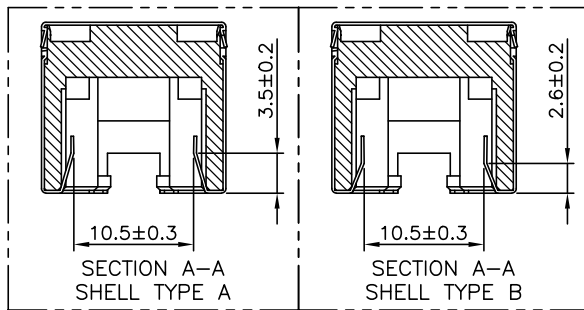
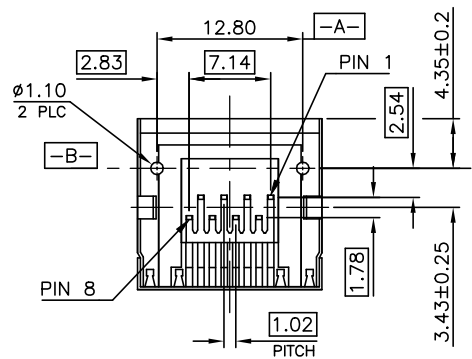
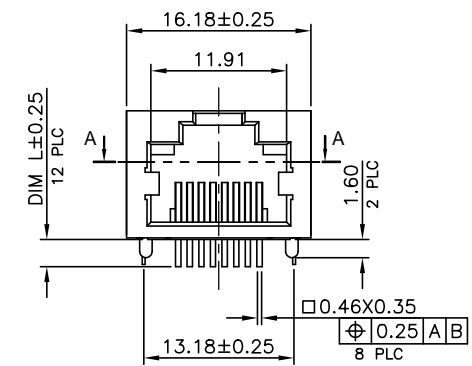
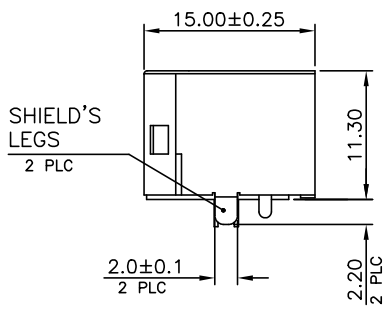
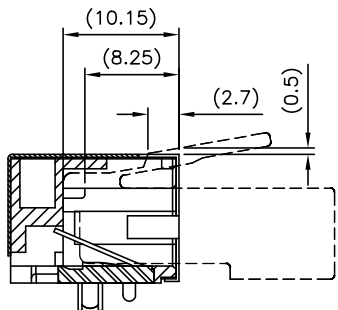


THIS DRAWING IS UNPUBLISHED. RELEASED FOR PUBLICATION
 © COPYRIGHT 2010 BY TYCO ELECTRONICS CORPORATION. ALL RIGHTS RESERVED.

LOC	DIST	REVISIONS					
DW		P	LTR	DESCRIPTION	DATE	DWN	APVD
		F		(ECO-19-011949)	26NOV2019	R.R	S.H



RECOMMENDED PCB LAYOUT (THICKNESS: 1.6MM)
 (DIMENSION TOLERANCE: 1 PLC: ±0.1, 2 PLC: ±0.05)



TAPE & REEL	W/O	TYPE A	2.2	6u"	3-1734795-2	
OBSOLETE	W/	W/O	1.5	6u"	3-1734795-1	
				50u"	1734795-8	
				30u"	1734795-7	
				15u"	3-1734795-6	
				15u"	1734795-6	
TRAY	W/O	W/O	2.4	6u"	1734795-5	
				50u"	1734795-4	
				30u"	1734795-3	
				15u"	1734795-2	
				6u"	1734795-1	
PACKAGE TYPE	PANEL GROUND	LED	SHELL TYPE	DIM L	MIN. GOLD THICKNESS	PART NUMBER

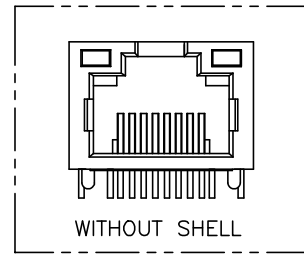
- NOTE:
- MATERIAL:
 - HOUSING: PA9T WITH 30% GF, UL94 V-0, BLACK COLOR.
 - CONTACTS: PHOSPHOR BRONZE.
 - SHELL: BRASS.
 - FINISH:
 - CONTACTS: (SEE TABLE) GOLD PLATED ON CONTACT AREA. GOLD FLASH ON SOLDER TAIL. 1.27um [50u"] MIN. NICKEL UNDERPLATED OVERALL.
 - SHELL: 0.51um [20u"] MIN. NICKEL PLATED.
 - WAVE SOLDER CAPABLE TO 265°C PER TYCO TEST SPEC. 109-202, CONDITION B.
- ⚠ OBSOLETE PART : OBSOLETE CIS STREAMLINING PER D.RENAUD/D.SINISI
 ⚠ HOUSING: PA4T WITH GLASS FIBER, UL94 V-0, BLACK COLOR.
 ⚠ LOW BR/CL AS DEFINED IN TEC-138-702.

THIS DRAWING IS A CONTROLLED DOCUMENT.

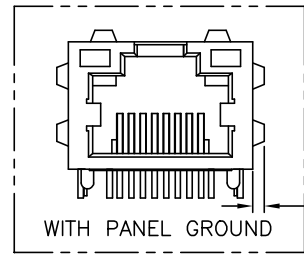
DWN	O. HU	14SEP2007	TE Connectivity
CHK	S. HOU	14SEP2007	
APVD	W.J. KE	14SEP2007	
PRODUCT SPEC	108-57535		
APPLICATION SPEC	NAME		MODULAR JACK CONNECTOR RJ45, 8P8C, SHIELDED TAB UP, DIP TYPE, H=11.3mm
WEIGHT	3.5 GRAMS	SIZE	A3
CUSTOMER DRAWING		CAGE CODE	00779
		DRAWING NO	C=1734795
		RESTRICTED TO	
SCALE		SHEET	1 OF 5
		REV	F

THIS DRAWING IS UNPUBLISHED. RELEASED FOR PUBLICATION
 © COPYRIGHT 2010 BY TYCO ELECTRONICS CORPORATION. ALL RIGHTS RESERVED.

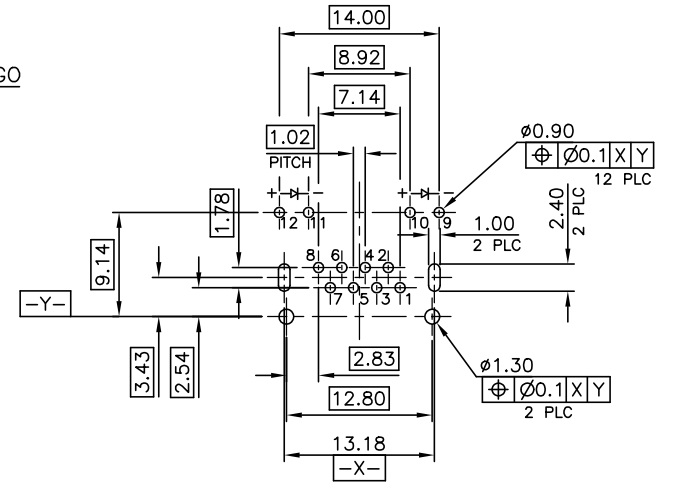
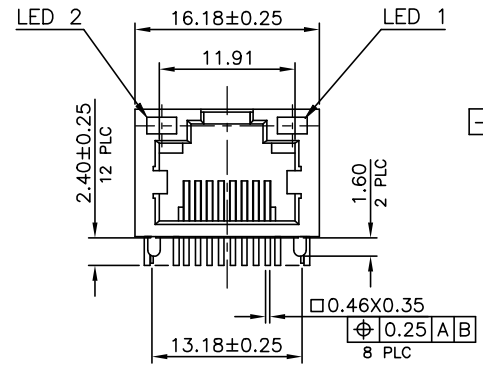
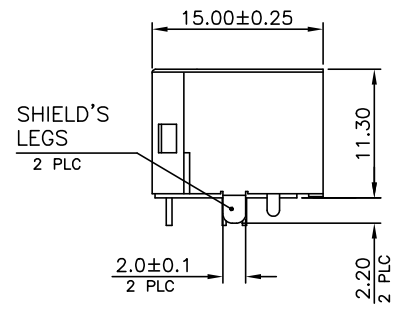
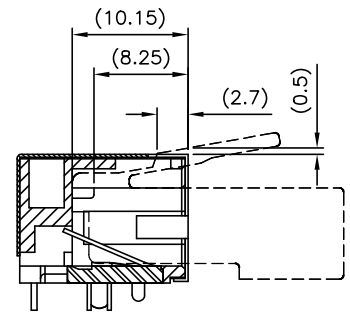
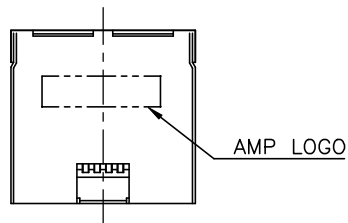
LOC		DIST		REVISIONS					
DW				P	LTR	DESCRIPTION	DATE	DWN	APVD
						SEE SHEET 1.			



1-1734795-9



0.8~2.0
6 PLC



- NOTE:
- MATERIAL:
 - 1.1 HOUSING: PA9T WITH 30% GF, UL94 V-0, BLACK COLOR.
 - 1.2 CONTACTS: PHOSPHOR BRONZE.
 - 1.3 SHELL: BRASS.
 - 1.4 LED LIGHT: EPOXY RESIN & STEEL
 - FINISH:
 - 2.1 CONTACTS: (SEE TABLE) GOLD PLATED ON CONTACT AREA. GOLD FLASH ON SOLDER TAIL.
 - 1.27um [50u"] MIN. NICKEL UNDERPLATED OVERALL.
 - 2.2 SHELL: 0.51um [20u"] MIN. NICKEL PLATED.
 - 2.3 LED: 1.02um [40u"] COPPER UNDERPLATED OVERALL.
 - 1.27um [50u"] NICKEL OVERALL.
 - 1.27um [50u"] SILVER ON BONDING AREA.
 - 2.54um [100u"] BRIGHT-TIN ON SOLDER AREA.
 - WAVE SOLDER CAPABLE TO 265°C PER TYCO TEST SPEC. 109-202, CONDITION B.
 - ⚠️ OBSOLETE PART : OBSOLETE CIS STREAMLINING PER D.RENAUD/D.SINISI
 - ⚠️ LED: 1.02um [40u"] COPPER UNDERPLATED OVERALL
 - 0.5um [20u"] NICKEL OVERALL
 - 1.27um [50u"] SILVER ON BONDING AREA
 - 2.54um [100u"] BRIGHT-TIN ON SOLDER AREA
 - ⚠️ WITHOUT OUTER SHELL

W/O	GREEN/YELLOW	GREEN/YELLOW	50u" LUBRICATION GOLD PLATE CONTACT AREA	2-1734795-8
	GREEN	GREEN	15u"	2-1734795-2
			50u"	1-1734795-8
OBSOLETE	W/O	ORANGE	30u"	1-1734795-7
OBSOLETE			15u"	1-1734795-6
			6u"	1-1734795-5
OBSOLETE			50u"	1-1734795-4
OBSOLETE			30u"	1-1734795-3
OBSOLETE	W/O	YELLOW	15u"	1-1734795-2
			6u"	1-1734795-9
			6u"	1-1734795-1
PANEL GROUND	LED 2	LED 1	MIN. GOLD THICKNESS	PART NUMBER

THIS DRAWING IS A CONTROLLED DOCUMENT.

DWN _____
 CHK _____
 APVD _____
 PRODUCT SPEC _____
 APPLICATION SPEC _____

TE Connectivity

MODULAR JACK CONNECTOR
 RJ45, 8P8C, SHIELDED
 TAB UP, DIP TYPE, H=11.3mm

SIZE: A3 CAGE CODE: 00779 C=1734795 DRAWING NO: 1734795 RESTRICTED TO: _____

WEIGHT: 3.5 GRAMS

CUSTOMER DRAWING

SCALE: _____ SHEET: 2 of 5 REV: F

4

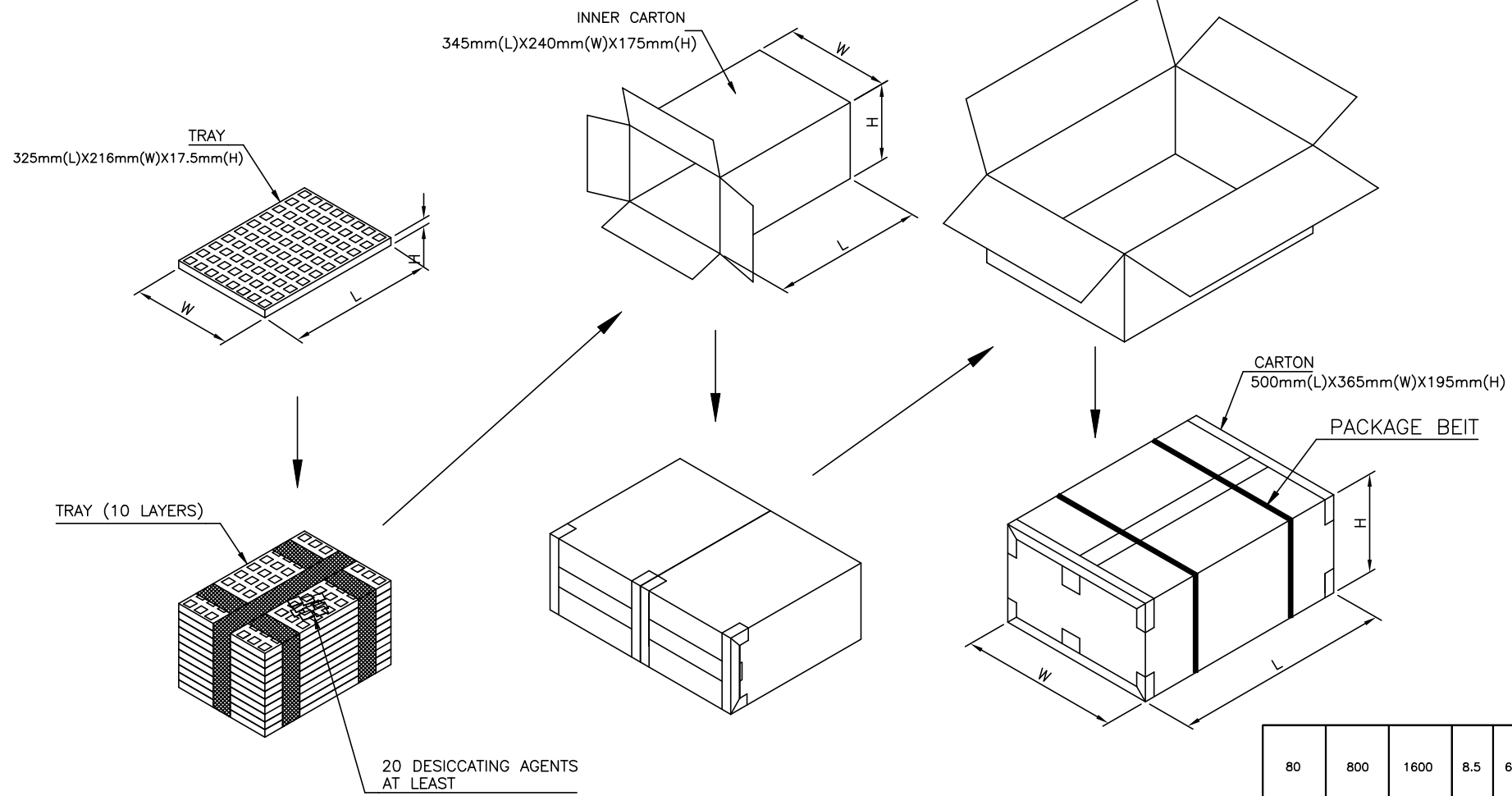
3

2

1

THIS DRAWING IS UNPUBLISHED. RELEASED FOR PUBLICATION
 © COPYRIGHT 2010 BY TYCO ELECTRONICS CORPORATION. ALL RIGHTS RESERVED.

LOC	DIST	REVISIONS			
P	LTR	DESCRIPTION	DATE	DWN	APVD
DW		SEE SHEET 1.			



					1734795-4
					1734795-3
					1734795-2
					1734795-1
PCS/TRAY	TRAYS/CARTON	QUANTITY (PCS)	G/W (Kg)	N/W (Kg)	PART NUMBER
80	800	1600	8.5	6.5	

THIS DRAWING IS A CONTROLLED DOCUMENT.

DIMENSIONS: mm	TOLERANCES UNLESS OTHERWISE SPECIFIED	DWN	TE Connectivity
	0 PLC ± - 1 PLC ± 0.3 2 PLC ± 0.2 3 PLC ± 0.15 4 PLC ± - ANGLES ± 3'	CHK	NAME
MATERIAL	FINISH	APVD	MODULAR JACK CONNECTOR RJ45, 8P8C, SHIELDED TAB UP, DIP TYPE, H=11.3mm
		PRODUCT SPEC	SIZE CAGE CODE DRAWING NO RESTRICTED TO
		APPLICATION SPEC	A3 00779 C=1734795
		WEIGHT	CUSTOMER DRAWING SCALE SHEET 3 OF 5 REV F

4

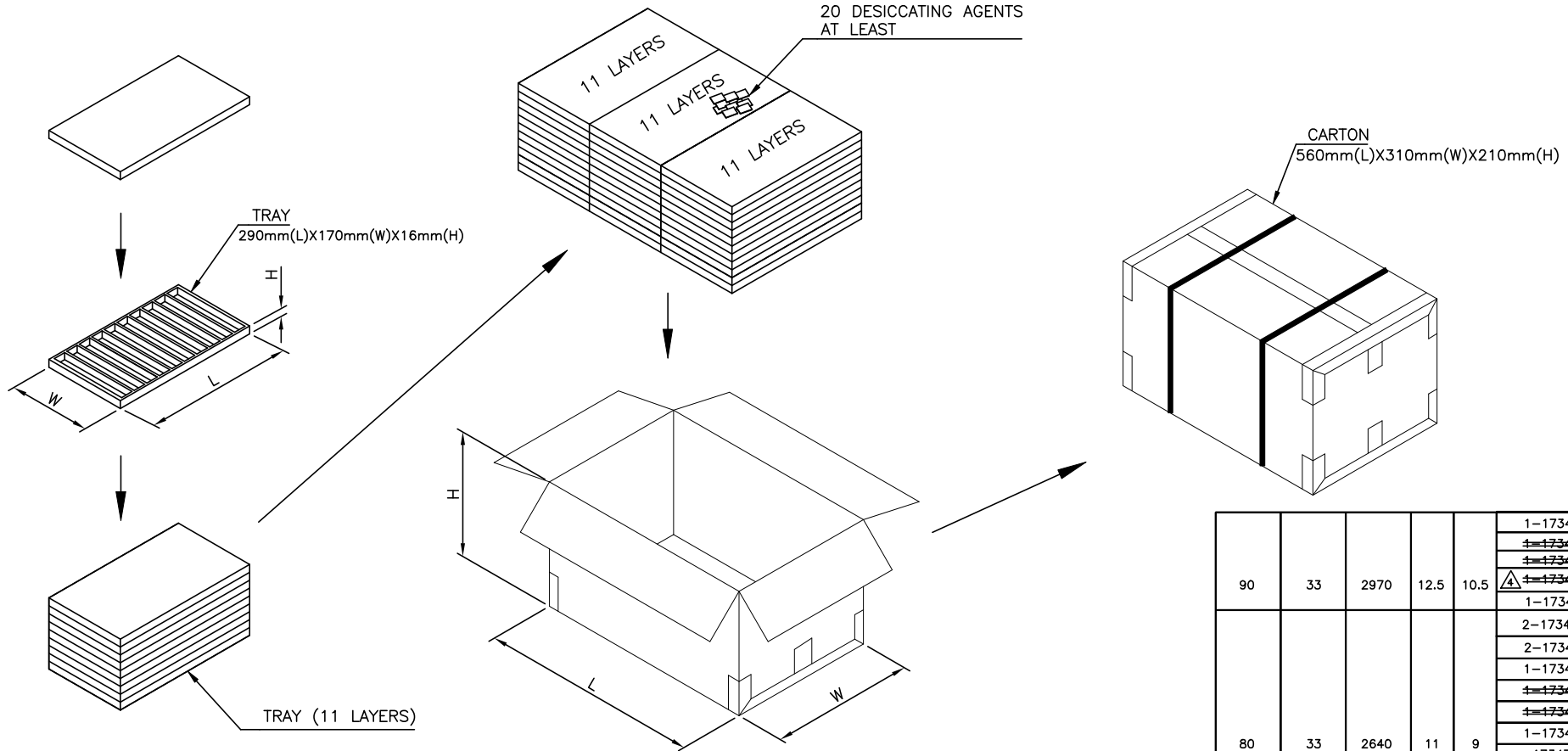
3

2

1

THIS DRAWING IS UNPUBLISHED. RELEASED FOR PUBLICATION
© COPYRIGHT 2010 BY TYCO ELECTRONICS CORPORATION. ALL RIGHTS RESERVED.

LOC DW	DIST	REVISIONS			
P	LTR	DESCRIPTION	DATE	DWN	APVD
		SEE SHEET 1.			

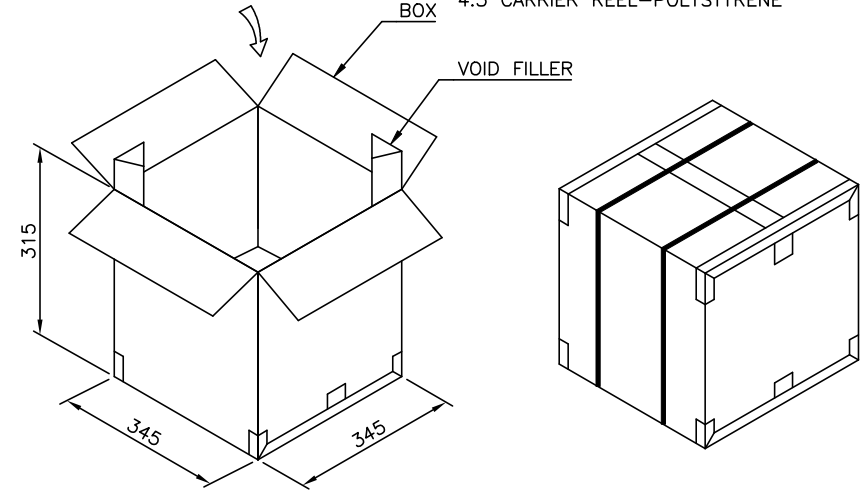
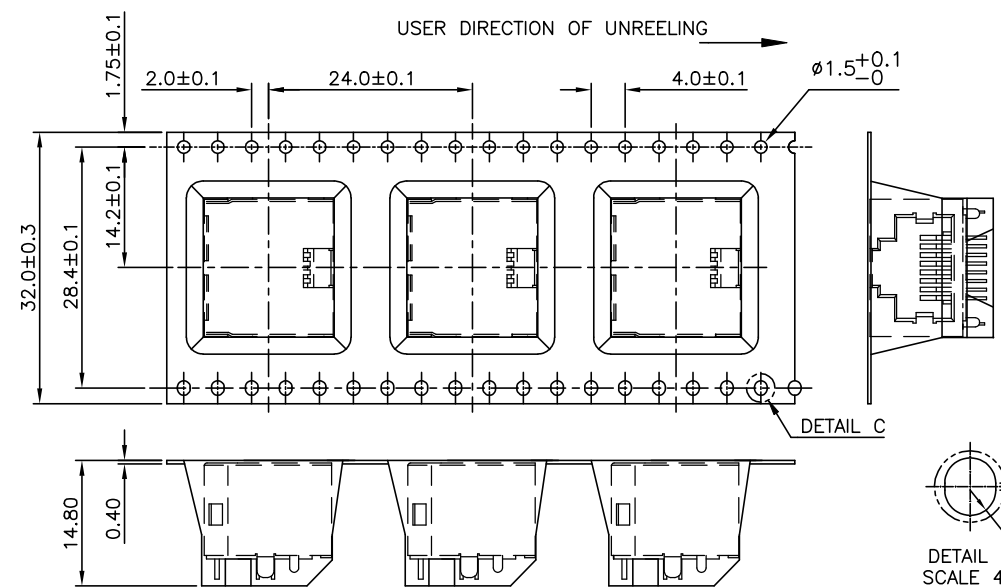
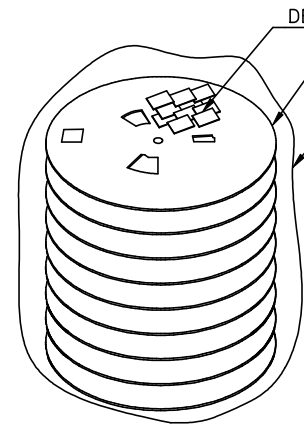
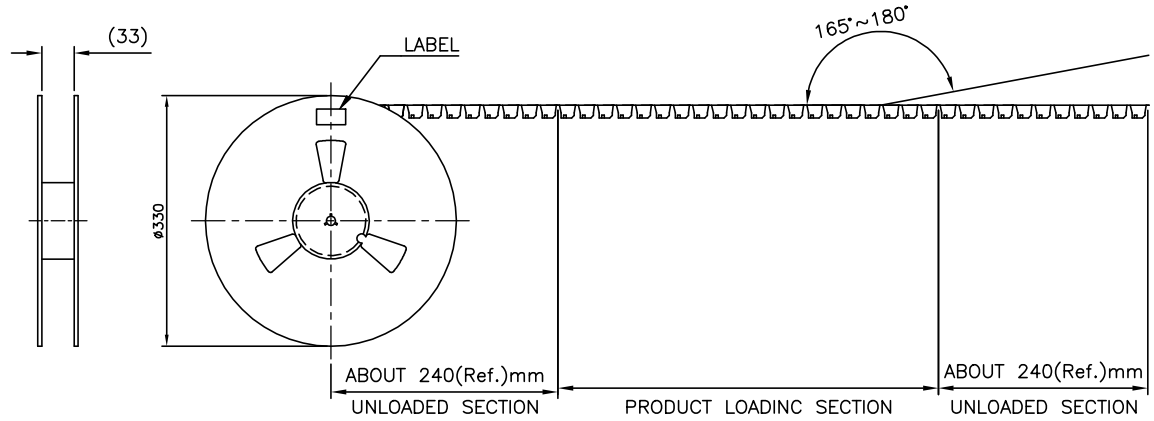


90	33	2970	12.5	10.5	1-1734795-9
					1-1734795-4
80	33	2640	11	9	1-1734795-3
					1-1734795-2
					1-1734795-1
					2-1734795-8
					2-1734795-2
					1-1734795-8
					1-1734795-7
					1-1734795-6
					1-1734795-5
					1-1734795-8
					1734795-7
					3-1734795-6
					1734795-6
					1734795-5
PCS/TRAY	TRAYS/CARTON	QUANTITY (PCS)	G/W (kg)	N/W (kg)	PART NUMBER

THIS DRAWING IS A CONTROLLED DOCUMENT.		DWN	TE Connectivity		
DIMENSIONS: mm		CHK	NAME		
TOLERANCES UNLESS OTHERWISE SPECIFIED:		APVD	MODULAR JACK CONNECTOR RJ45, 8P8C, SHIELDED TAB UP, DIP TYPE, H=11.3mm		
0 PLC ± -		PRODUCT SPEC	SIZE	CAGE CODE	DRAWING NO
1 PLC ± 0.3		APPLICATION SPEC	A3	00779	C=1734795
2 PLC ± 0.2		WEIGHT	RESTRICTED TO		
3 PLC ± 0.15		CUSTOMER DRAWING	SCALE		
4 PLC ± -			SHEET 4 of 5		
ANGLES ± 3'			REV F		
MATERIAL	FINISH				

THIS DRAWING IS UNPUBLISHED. RELEASED FOR PUBLICATION
 © COPYRIGHT 2010 BY TYCO ELECTRONICS CORPORATION. ALL RIGHTS RESERVED.

LOC	DIST	REVISIONS			
P	LTR	DESCRIPTION	DATE	DWN	APVD
		SEE SHEET 1.			



8.7 KG	5.05 KG	180	8	1440	3-1734795-2 3-1734795-1
GROSS WEIGHT	NET WEIGHT	PCS/REEL/BOX	REEL/BOX	PCS/BOX	PART NUMBER

THIS DRAWING IS A CONTROLLED DOCUMENT.		DWN	TE Connectivity MODULAR JACK CONNECTOR RJ45, 8P8C, SHIELDED TAB UP, DIP TYPE, H=11.3mm				
DIMENSIONS: mm		CHK				NAME	
TOLERANCES UNLESS OTHERWISE SPECIFIED:		APVD				PRODUCT SPEC	
MATERIAL		WEIGHT				APPLICATION SPEC	
FINISH		CUSTOMER DRAWING	SIZE	CAGE CODE	DRAWING NO		
0 PLC ± - 1 PLC ± 0.3 2 PLC ± 0.2 3 PLC ± 0.15 4 PLC ± - ANGLES ± 3°		RESTRICTED TO	A3	00779	C=1734795		
		SCALE	SHEET	5 of 5	REV F		

X-ON Electronics

Largest Supplier of Electrical and Electronic Components

Click to view similar products for [Modular Connectors / Ethernet Connectors](#) category:

Click to view products by [TE Connectivity](#) manufacturer:

Other Similar products are found below :

[8949-H88/06BLKA/SN](#) [74441-0010/BKN](#) [MP1010RX-1000](#) [MP44RX-1000](#) [PHJ-4P4C-1-V-4](#) [PHP-6P6C-5](#) [GAX-3-66](#) [GAX-8-62](#) [GDCX-PA-66-50](#) [GDCX-PN-64](#) [GDCX-PN-66](#) [GDCX-PN-66-50](#) [GDLX-A-66](#) [GDLX-N-66](#) [GDLX-S-66](#) [GDLX-S-88K](#) [GDTX-S-88-50](#) [GDX-PA-1010](#) [GLX-N-1010M-BLK](#) [GLX-S-88M-BLK](#) [GMX-N-1010](#) [GMX-S-1010](#) [GMX-S-66](#) [GMX-SMT4-N-88](#) [GPX-2-64](#) [GSGX-N-2-88](#) [GSGX-N-4-88](#) [GSX-NS2-88-3.05](#) [GSX-NS2-88-3.05-50](#) [GSX-NS-88-3.05-50](#) [PT-108A-8C-UL](#) [PT-J951-8C](#) [PTS-J531-8CS-50UL](#) [1-1775629-2](#) [A-2014-0-4](#) [GWLX-S-88-GR](#) [GWLX-S9-88-YG](#) [DC-1021-8-WH-6](#) [1300530003](#) [1324640-4](#) [RJ11FTVC2G](#) [RJ11FTVC2N](#) [RJFTVX2SA1G](#) [132764-001](#) [1413235](#) [MP88X-1000](#) [MPS88RX-5000](#) [E5288-S000K3-L](#) [E5908-15A242-L](#) [155302-001](#)