

4

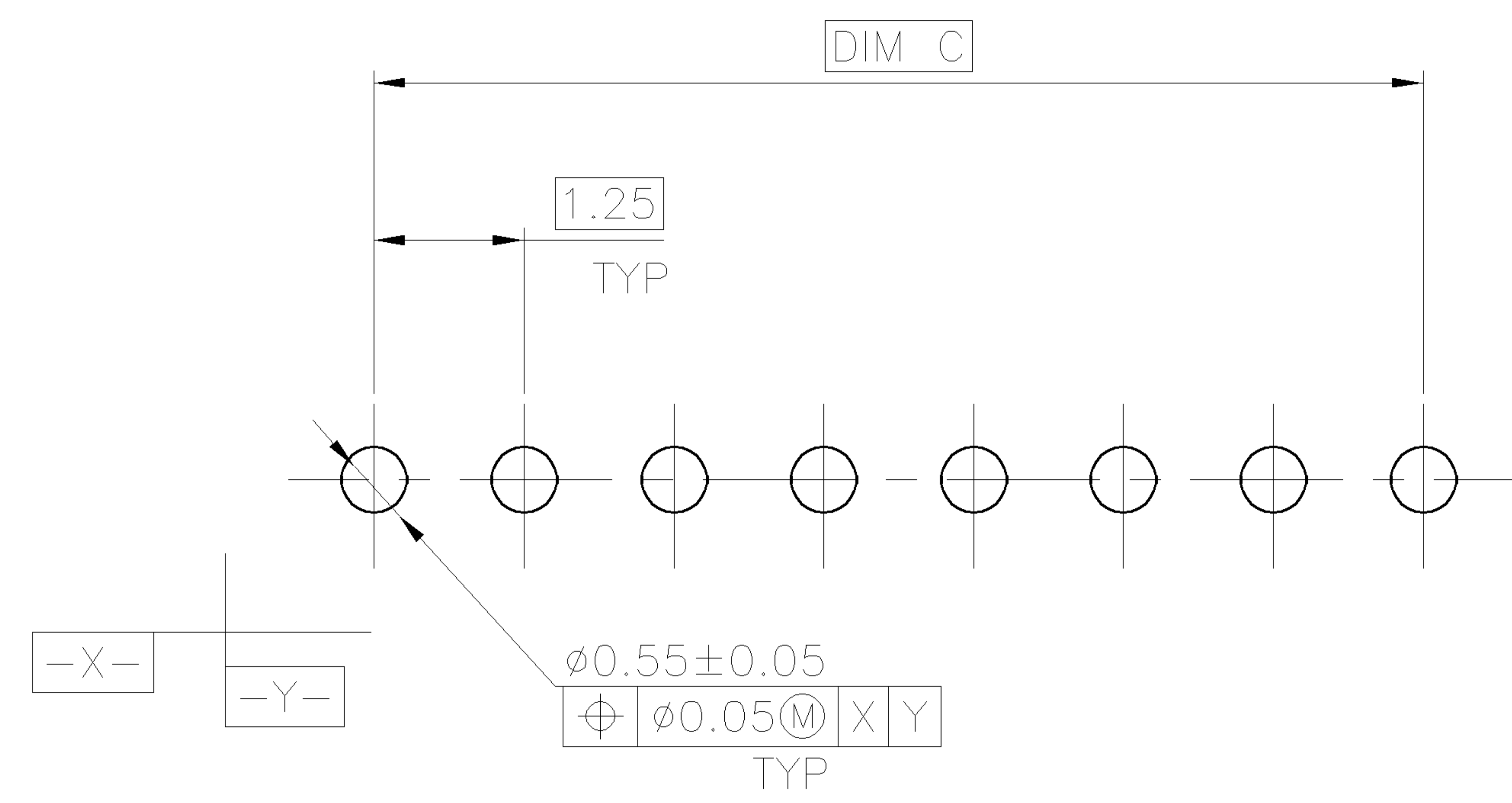
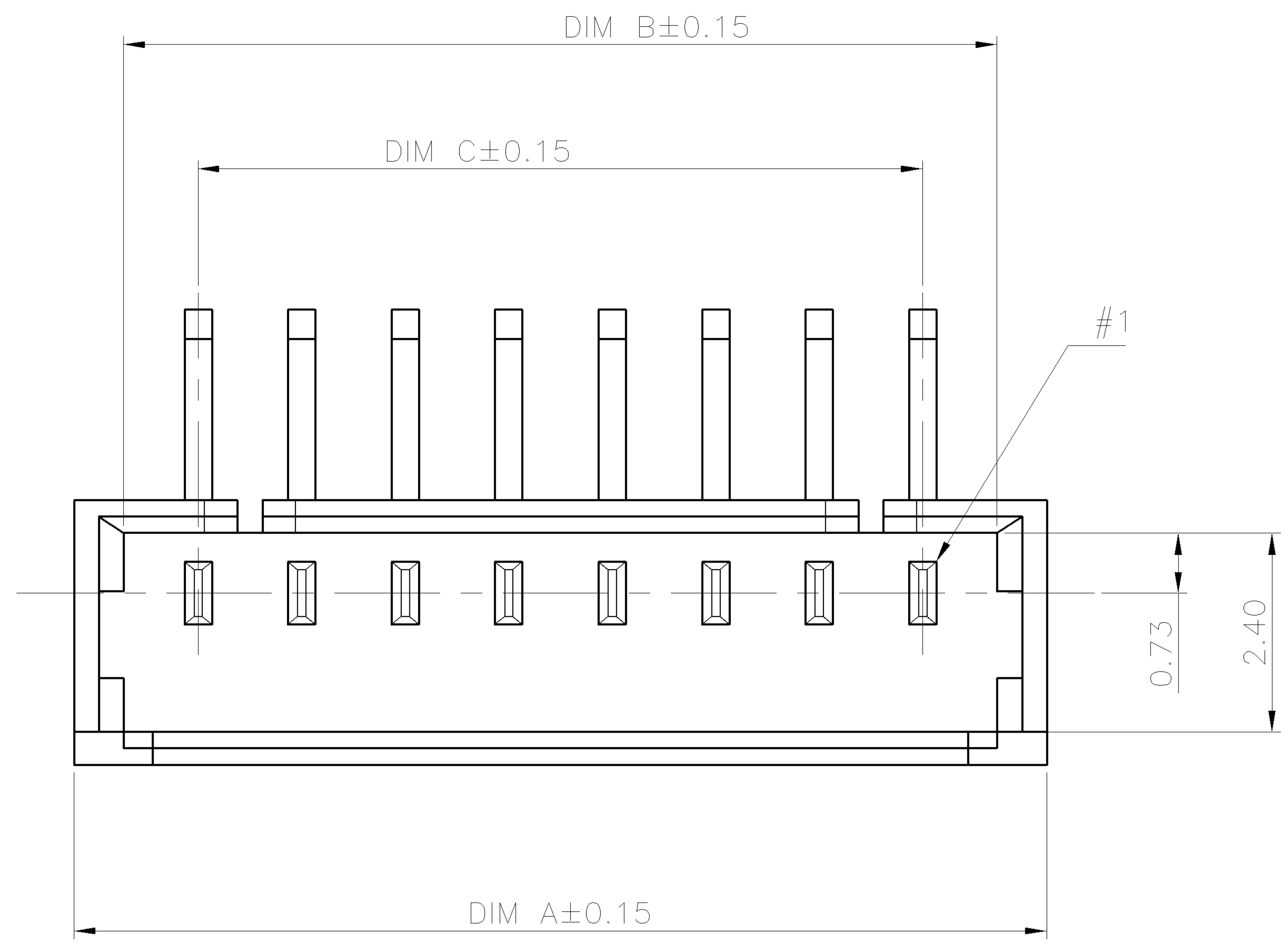
3

2

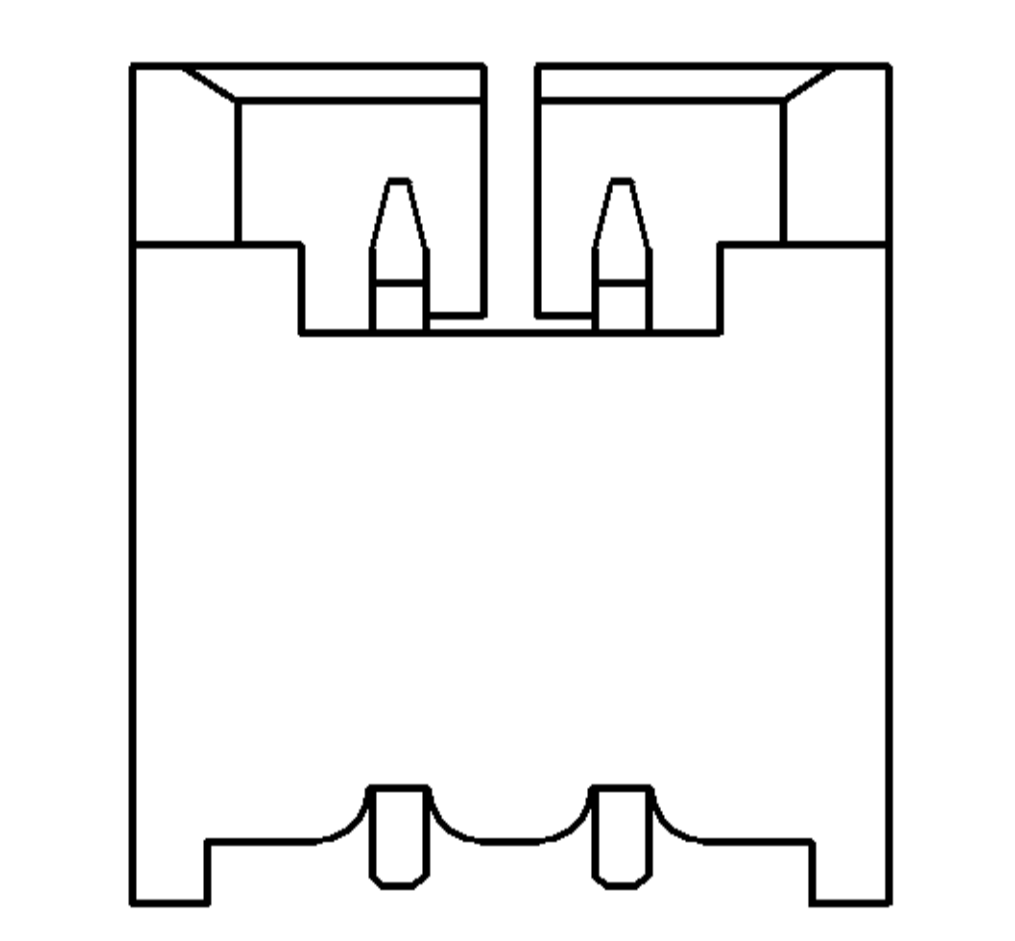
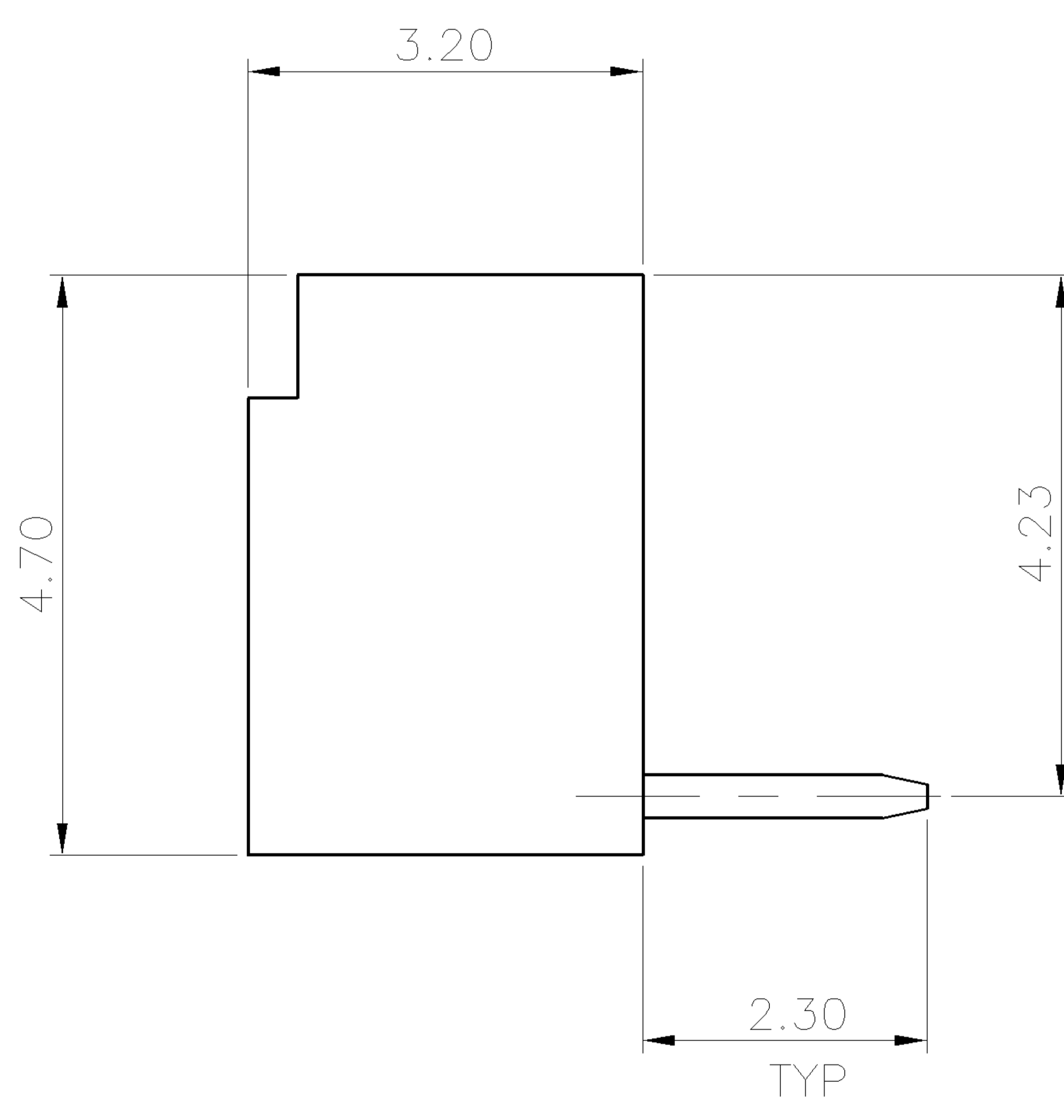
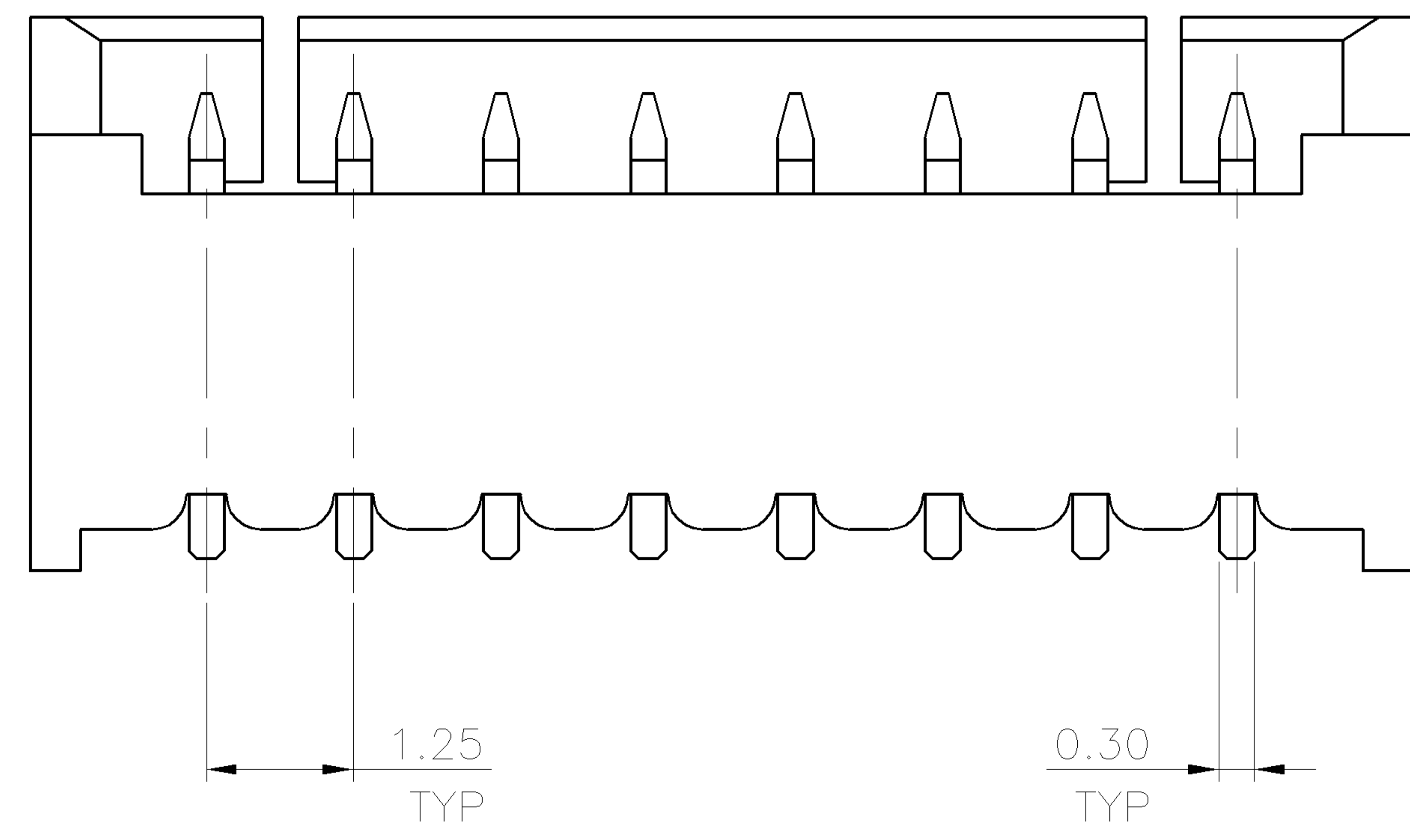
1

THIS DRAWING IS UNPUBLISHED. RELEASED FOR PUBLICATION
 © COPYRIGHT - BY - ALL RIGHTS RESERVED.

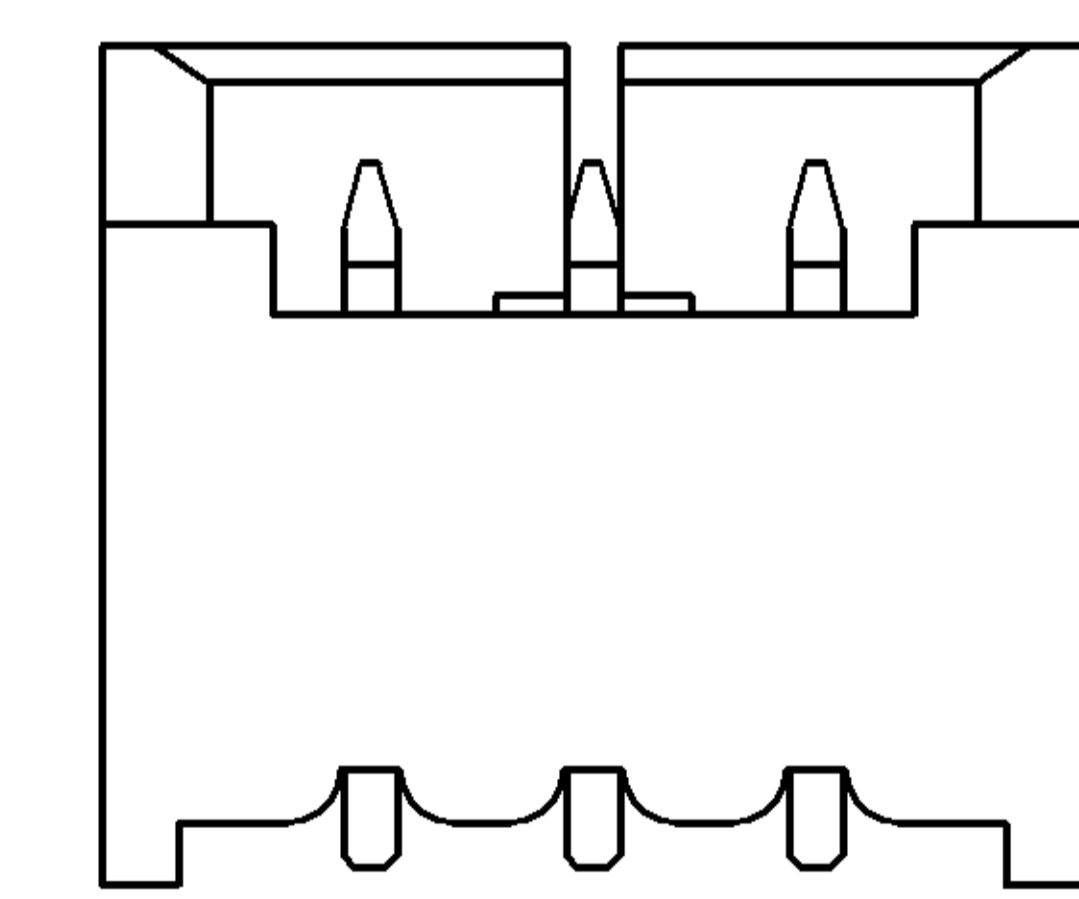
| | | | | | |
|-----------|-----------|---------------------------|--------|-----|------|
| LOC DW | DIST - | REVISIONS | | | |
| P | LTR | DESCRIPTION | DATE | DWN | APVD |
| | A1 | REVISED PER ECO-11-005301 | 6APR11 | RK | HMR |



RECOMMENDED PCB LAYOUT



2 PIN



3 PIN

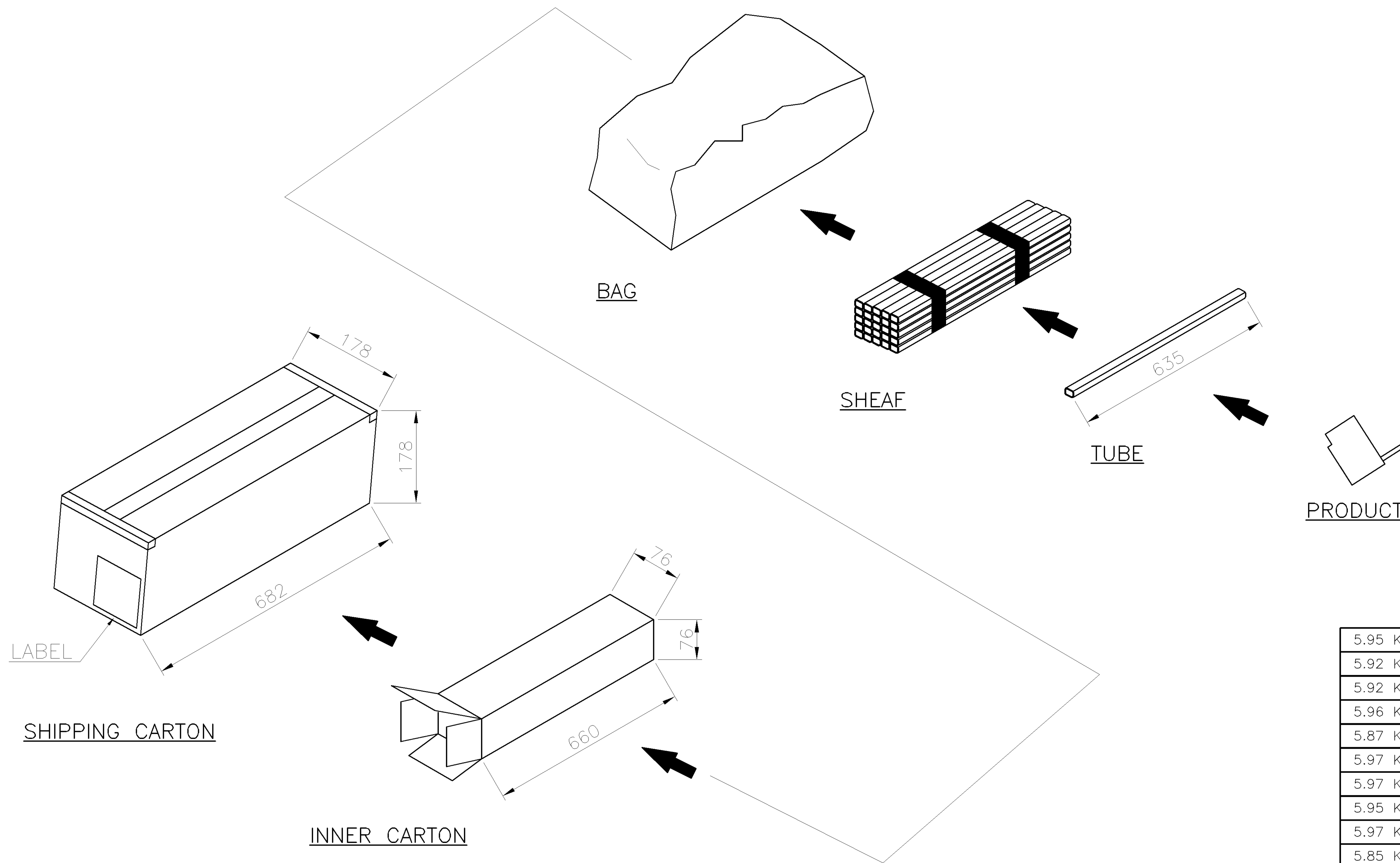
| | | | | | |
|--------|------------|-------|-------|-----------------|-------------|
| 0.36g | 17.50 | 19.30 | 20.50 | 15 | 1-1734829-5 |
| 0.34g | 16.25 | 18.05 | 19.25 | 14 | 1-1734829-4 |
| 0.32g | 15.00 | 16.80 | 18.00 | 13 | 1-1734829-3 |
| 0.30g | 13.75 | 15.55 | 16.75 | 12 | 1-1734829-2 |
| 0.27g | 12.50 | 14.30 | 15.50 | 11 | 1-1734829-1 |
| 0.26g | 11.25 | 13.05 | 14.25 | 10 | 1-1734829-0 |
| 0.23g | 10.00 | 11.80 | 13.00 | 09 | 1734829-9 |
| 0.21g | 8.75 | 10.55 | 11.75 | 08 | 1734829-8 |
| 0.19g | 7.50 | 9.30 | 10.50 | 07 | 1734829-7 |
| 0.16g | 6.25 | 8.05 | 9.25 | 06 | 1734829-6 |
| 0.14g | 5.00 | 6.80 | 8.00 | 05 | 1734829-5 |
| 0.12g | 3.75 | 5.55 | 6.75 | 04 | 1734829-4 |
| 0.10g | 2.50 | 4.30 | 5.50 | 03 | 1734829-3 |
| 0.08g | 1.25 | 3.05 | 4.25 | 02 | 1734829-2 |
| WEIGHT | C | B | A | NO. OF CONTACTS | PART NUMBER |
| | DIMENSIONS | | | | |

- NOTE:
- MATERIAL:
HOUSING: PA9T WITH 33% GF, UL 94V-0, NATURE COLOR.
CONTACTS: PHOSPHOR BRONZE.
 - FINISH:
CONTACTS: 2.54μm [100μ"] MIN. MATTE-TIN OVER
1.27μm [50μ"] MIN. NICKEL ON ENTIRE CONTACT.
 - WAVE SOLDER CAPABLE TO 265°C PER **TE Connectivity** TEST SPEC. 109-202, CONDITION B.


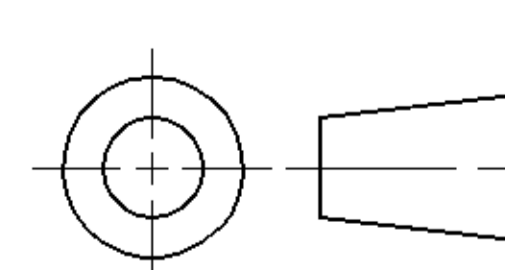
| | | | | | | | | | | | | | | | |
|--|---------|--|--------------------|--------------------|-------------------------|-------|--------|-------|--------|--------------|---------|---------------------------|--|--|--|
| THIS DRAWING IS A CONTROLLED DOCUMENT. | | DWN H. HUANG 31MAY2007 | TE Connectivity | | | | | | | | | | | | |
| DIMENSIONS: MM | | CHK S. HOU 31MAY2007 | | | | | | | | | | | | | |
| TOLERANCES UNLESS OTHERWISE SPECIFIED: | | APVD W.J. KE 31MAY2007 | NAME | | | | | | | | | | | | |
| <table border="1"> <tr> <td>0 PLC</td> <td>± 0.5</td> </tr> <tr> <td>1 PLC</td> <td>± 0.38</td> </tr> <tr> <td>2 PLC</td> <td>± 0.25</td> </tr> <tr> <td>3 PLC</td> <td>± 0.15</td> </tr> <tr> <td>4 PLC ANGLES</td> <td>± - ± -</td> </tr> </table> | | 0 PLC | ± 0.5 | 1 PLC | ± 0.38 | 2 PLC | ± 0.25 | 3 PLC | ± 0.15 | 4 PLC ANGLES | ± - ± - | PRODUCT SPEC 108-57499 | 1.25MM PITCH, WIRE TO BOARD CONNECTOR HEADER, R/A, DIP TYPE | | |
| 0 PLC | ± 0.5 | | | | | | | | | | | | | | |
| 1 PLC | ± 0.38 | | | | | | | | | | | | | | |
| 2 PLC | ± 0.25 | | | | | | | | | | | | | | |
| 3 PLC | ± 0.15 | | | | | | | | | | | | | | |
| 4 PLC ANGLES | ± - ± - | | | | | | | | | | | | | | |
| MATERIAL SEE NOTE | | QUALIFICATION TEST REPORT 501-57573 | SIZE A3 | CAGE CODE 00779 | DRAWING NO C-1734829 | | | | | | | | | | |
| FINISH SEE NOTE | | WEIGHT SEE TABLE | RESTRICTED TO - | | | | | | | | | | | | |
| CUSTOMER DRAWING | | | SCALE - | SHEET 1 OF 2 | REV A1 | | | | | | | | | | |

THIS DRAWING IS UNPUBLISHED. RELEASED FOR PUBLICATION
 © COPYRIGHT - BY - ALL RIGHTS RESERVED.

| | | | | | |
|-----------|-----------|--------------|------|-----|------|
| LOC DW | DIST - | REVISIONS | | | |
| P | LTR | DESCRIPTION | DATE | DWN | APVD |
| | | SEE SHEET 1. | | | |



| | | | | | |
|--------------|------------|----------|----------------|-----------|-------------|
| 5.95 Kg | 2.18 Kg | 30 | 200 | 6000 PCS | 15 |
| 5.92 Kg | 2.15 Kg | 32 | | 6400 PCS | 14 |
| 5.92 Kg | 2.15 Kg | 34 | | 6800 PCS | 13 |
| 5.96 Kg | 2.19 Kg | 36 | | 7200 PCS | 12 |
| 5.87 Kg | 2.10 Kg | 39 | | 7800 PCS | 11 |
| 5.97 Kg | 2.20 Kg | 43 | | 8600 PCS | 10 |
| 5.97 Kg | 2.20 Kg | 47 | | 9400 PCS | 09 |
| 5.95 Kg | 2.18 Kg | 52 | | 10400 PCS | 08 |
| 5.97 Kg | 2.21 Kg | 58 | | 11600 PCS | 07 |
| 5.85 Kg | 2.11 Kg | 66 | | 13200 PCS | 06 |
| 5.93 Kg | 2.16 Kg | 76 | | 15200 PCS | 05 |
| 5.93 Kg | 2.16 Kg | 90 | | 18000 PCS | 04 |
| 5.95 Kg | 2.18 Kg | 110 | | 22000 PCS | 03 |
| 5.92 Kg | 2.14 Kg | 141 | | 28200 PCS | 02 |
| GROSS WEIGHT | NET WEIGHT | PCS/TUBE | TUBES / CARTON | QUANTITY | NO. OF POS. |

| | | | | | | |
|---|--|------------------------------|---|-----------|------------|---------------|
| THIS DRAWING IS A CONTROLLED DOCUMENT. | | DWN H. HUANG 31MAY2007 |  TE Connectivity NAME 1.25MM PITCH, WIRE TO BOARD CONNECTOR HEADER, R/A, DIP TYPE | | | |
| DIMENSIONS: MM | | CHK S. HOU 31MAY2007 | | | | |
|  | | APVD W.J. KE 31MAY2007 | | | | |
| TOLERANCES UNLESS OTHERWISE SPECIFIED: | | PRODUCT SPEC | | | | |
| 0 PLC ± - 1 PLC ± - 2 PLC ± - 3 PLC ± - 4 PLC ± - ANGLES ± - | | APPLICATION SPEC | SIZE | CAGE CODE | DRAWING NO | RESTRICTED TO |
| MATERIAL | | WEIGHT | A3 | 00779 | G=1734829 | - |
| CUSTOMER DRAWING | | | SCALE | SHEET | REV | |
| | | | - | 2 OF 2 | A1 | |

X-ON Electronics

Largest Supplier of Electrical and Electronic Components

Click to view similar products for [Headers & Wire Housings](#) category:

Click to view products by [TE Connectivity](#) manufacturer:

Other Similar products are found below :

[892-18-020-10-001101](#) [58102-G61-06LF](#) [582553-1](#) [0009485154](#) [009176003701906](#) [0050291907](#) [LY20-4P-DT1-P1E-BR](#) [02.125.8002.8](#)
[609-3404](#) [61062-3](#) [61082-181009](#) [622-3653LF](#) [63453-116](#) [636-1030](#) [636-1427](#) [636-3427](#) [636-4007](#) [641938-9](#) [641991-4](#) [644827-2](#) [65817-010LF](#) [65817-015LF](#) [65863-015LF](#) [66207-023LF](#) [67095-007LF](#) [67601157](#) [68645-018](#) [68648-049](#) [70.362.1628.0](#) [70-4210](#) [70-4226B](#) [70-4853B](#) [707-5020](#) [707-5028](#) [71.350.2428.0](#) [71918-208LF](#) [71961-016LF](#) [733-134](#) [733-162](#) [754199-000](#) [760-3052](#) [787-8014-00](#) [79531-3000](#)
[FCN-360C032-B](#) [FCN-367T-T012/H](#) [FCN-723D010/2](#) [80.063.4001.1](#) [800-90-001-10-001000](#) [800-90-010-10-002000](#) [801-43-002-10-013000](#)