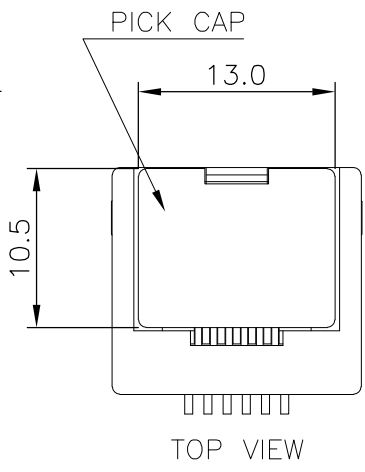
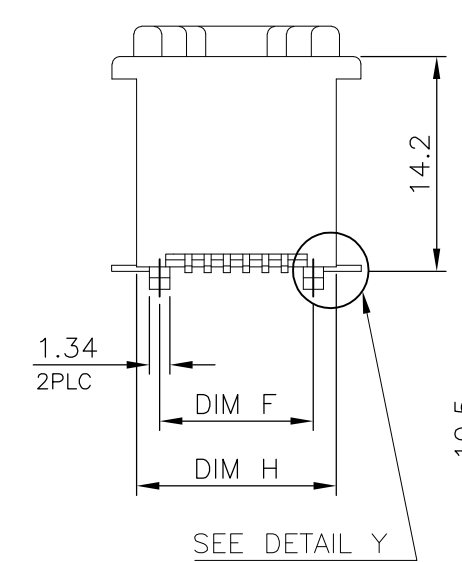
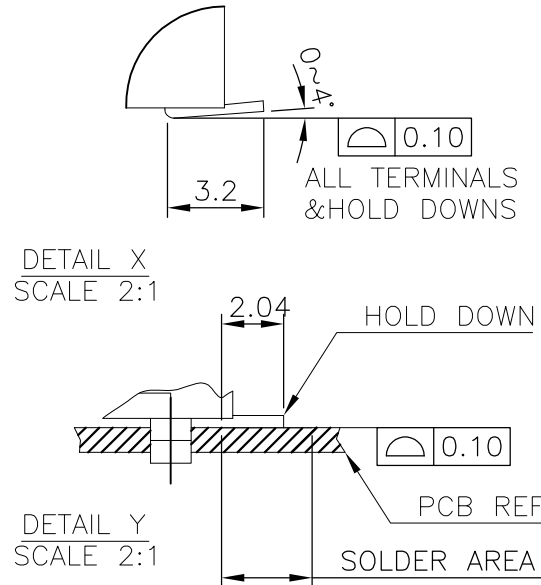
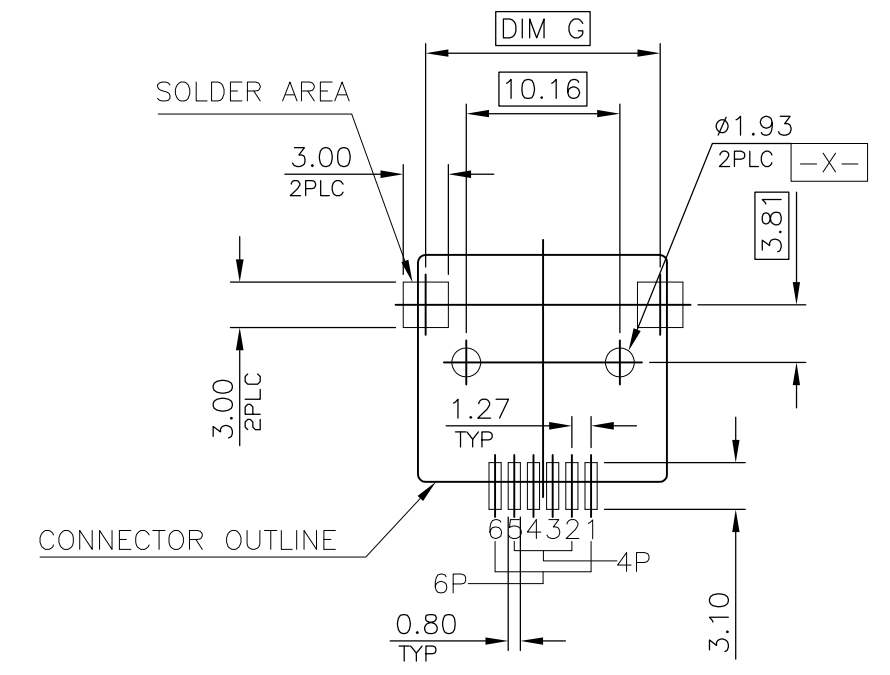
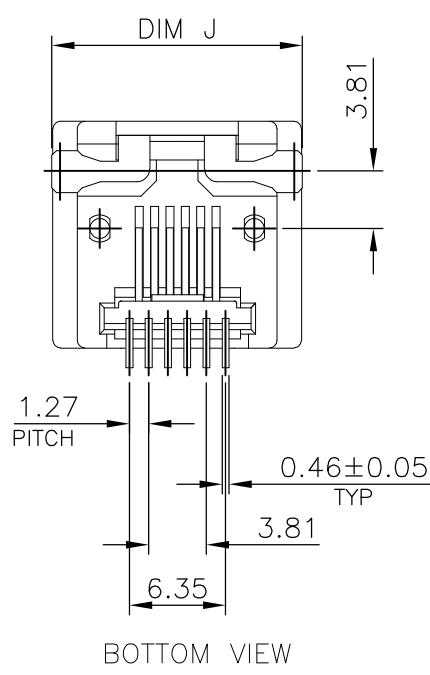
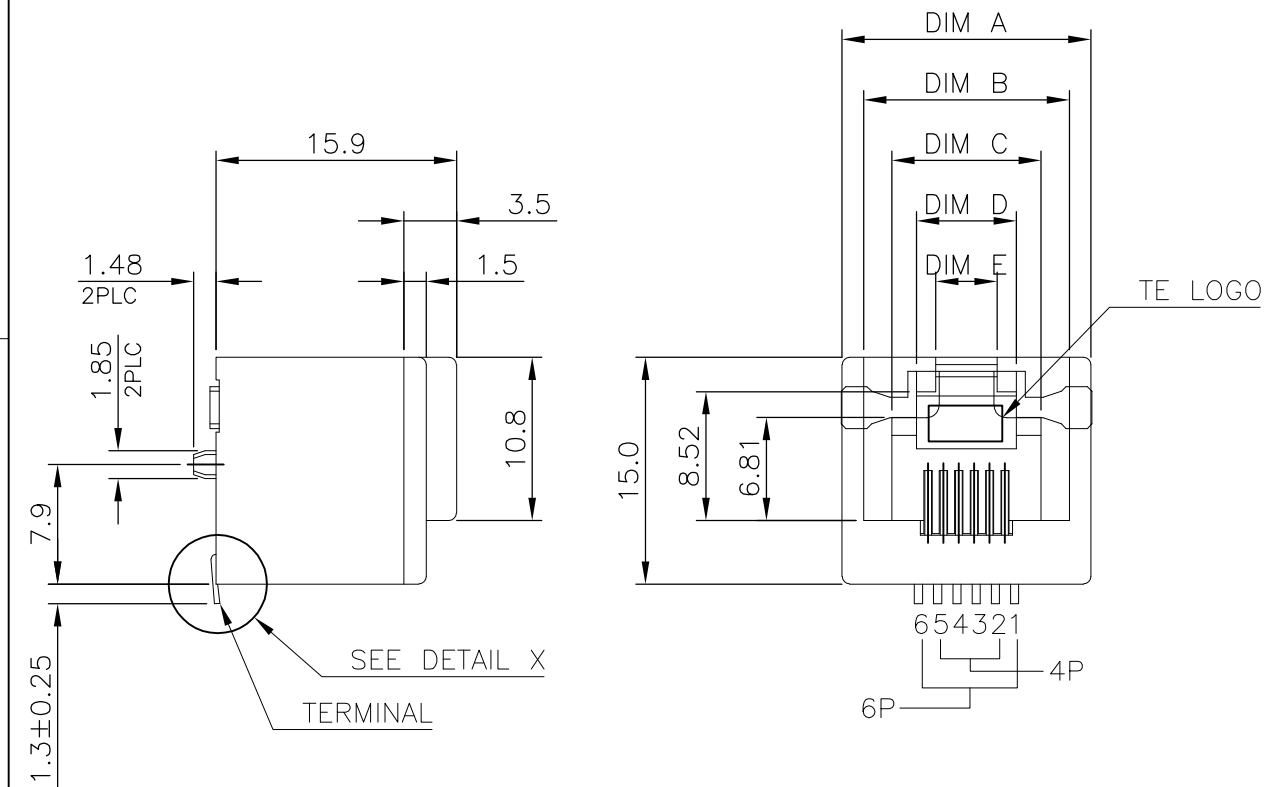


THIS DRAWING IS UNPUBLISHED. RELEASED FOR PUBLICATION
 © COPYRIGHT - TE Connectivity ALL RIGHTS RESERVED.

REVISIONS					
P	LTR	DESCRIPTION	DATE	DWN	APVD
B		ECO-17-008182	01JUN2017	LL	SH



OBSOLETE	DIM J	DIM H	DIM G	DIM F	DIM E	DIM D	DIM C	DIM B	DIM A	RJ11	PICK CAP	WITH		PART NUMBER
												MIN. GOLD THICKNESS		
OBSOLETE	16.50	13.10	15.50	10.16	4.06	6.60	9.87	13.60	16.46	6P6C		1.27µm [50µ"]	1-1734858-8	
												0.76µm [30µ"]	1-1734858-7	
												0.38µm [15µ"]	1-1734858-6	
												0.15µm [6µ"]	1-1734858-5	
OBSOLETE	14.50	11.10	13.50	7.62	3.05	5.50	7.87	11.60	14.44	4P4C	WITHOUT	1.27µm [50µ"]	1-1734858-4	
												0.76µm [30µ"]	1-1734858-3	
												0.38µm [15µ"]	1-1734858-2	
												0.15µm [6µ"]	1-1734858-1	

- NOTE:
- MATERIAL:
 - HOUSING: PA9T, WITH 30% GF, UL94 V-0, BLACK COLOR.
 - INSERT HOUSING: PA9T, WITH 30% GF, UL94 V-0, BLACK COLOR.
 - PICK CAP: PA46, WITH 30% GF, UL94 V-0, BLACK COLOR.
 - CONTACTS: PHOSPHOR BRONZE.
 - HOLD DOWN: BRASS.
 - FINISH:
 - CONTACTS: (SEE TABLE) GOLD PLATED ON CONTACT AREA, GOLD FLASH ON SOLDER TAIL, 1.27µm [50u"] MIN. NICKEL UNDERPLATED OVERALL.
 - HOLD DOWN: 2.54µm [100u"] MIN. MATTE TIN PLATED.
 - REFLOW SOLDER CAPABLE TO 260°C PER TEC-109-201, CONDITION B.
 - OBSOLETE PARTS: OBSOLETE CIS STREAMLINING PER D.RENAUD/D.SINISI

THIS DRAWING IS A CONTROLLED DOCUMENT.

DWN O. HU	06NOV2007	 TE Connectivity	NAME		
CHK S. HOU	06NOV2007		MODULAR JACK RJ45/RJ11		
APVD W. KODAMA	06NOV2007		TOP ENTRY, SMT TYPE		
PRODUCT SPEC	108-57464				
MATERIAL	SEE NOTE	SIZE	CAGE CODE	DRAWING NO	RESTRICTED TO
		3.3	A300779	C-1734858	
CUSTOMER DRAWING		SCALE	SHEET	REV	
		1:1	1 OF 3	B	

THIS DRAWING IS UNPUBLISHED.

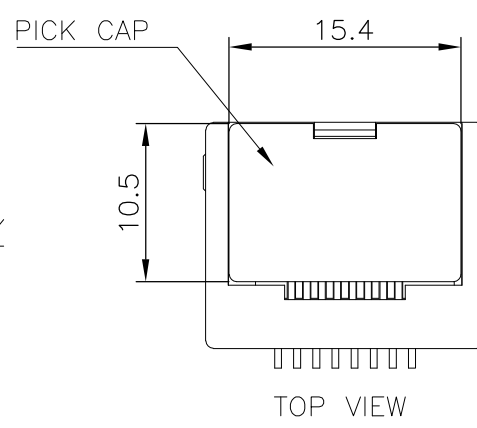
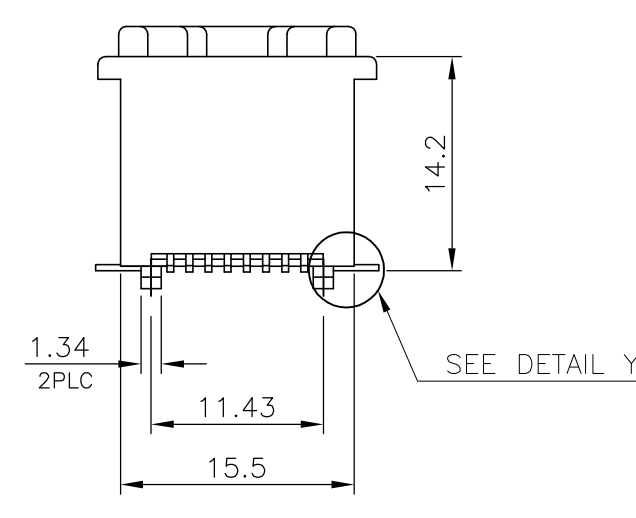
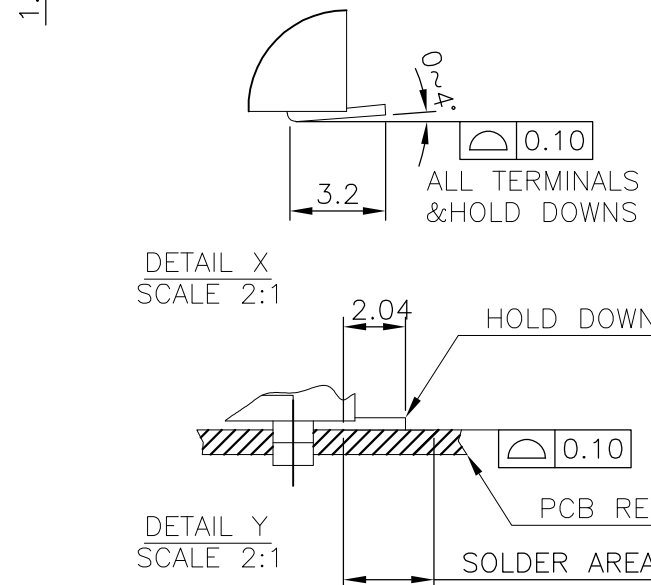
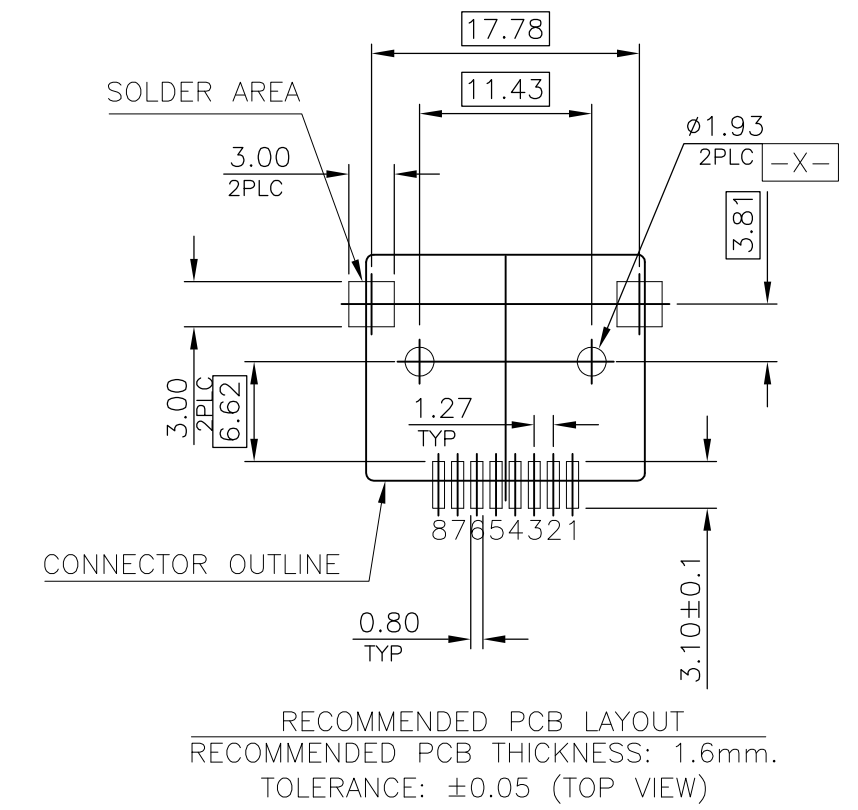
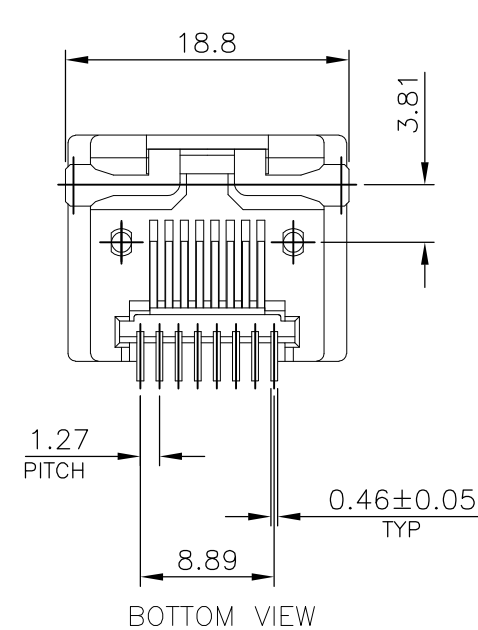
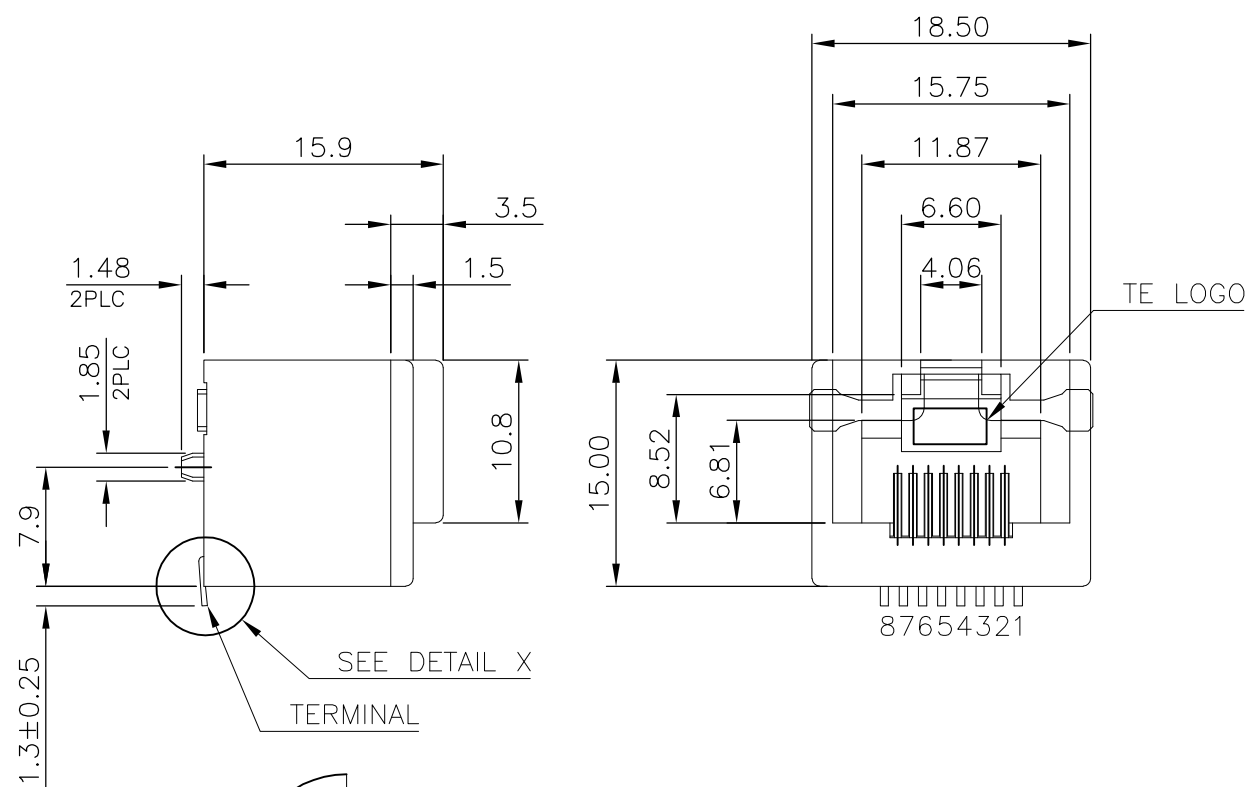
RELEASED FOR PUBLICATION

© COPYRIGHT - TE Connectivity

ALL RIGHTS RESERVED.

REVISIONS

P	LTR	DESCRIPTION	DATE	DWN	APVD
-	-	SEE SHEET 1	-	-	-



NOTE:

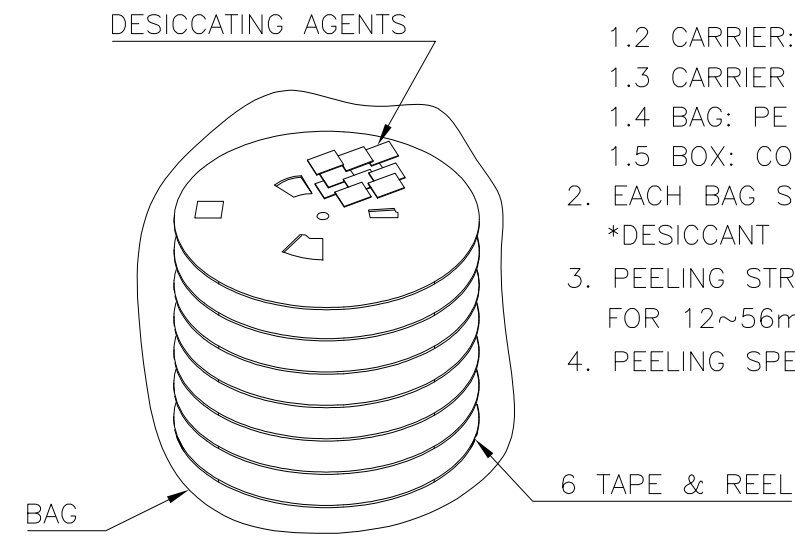
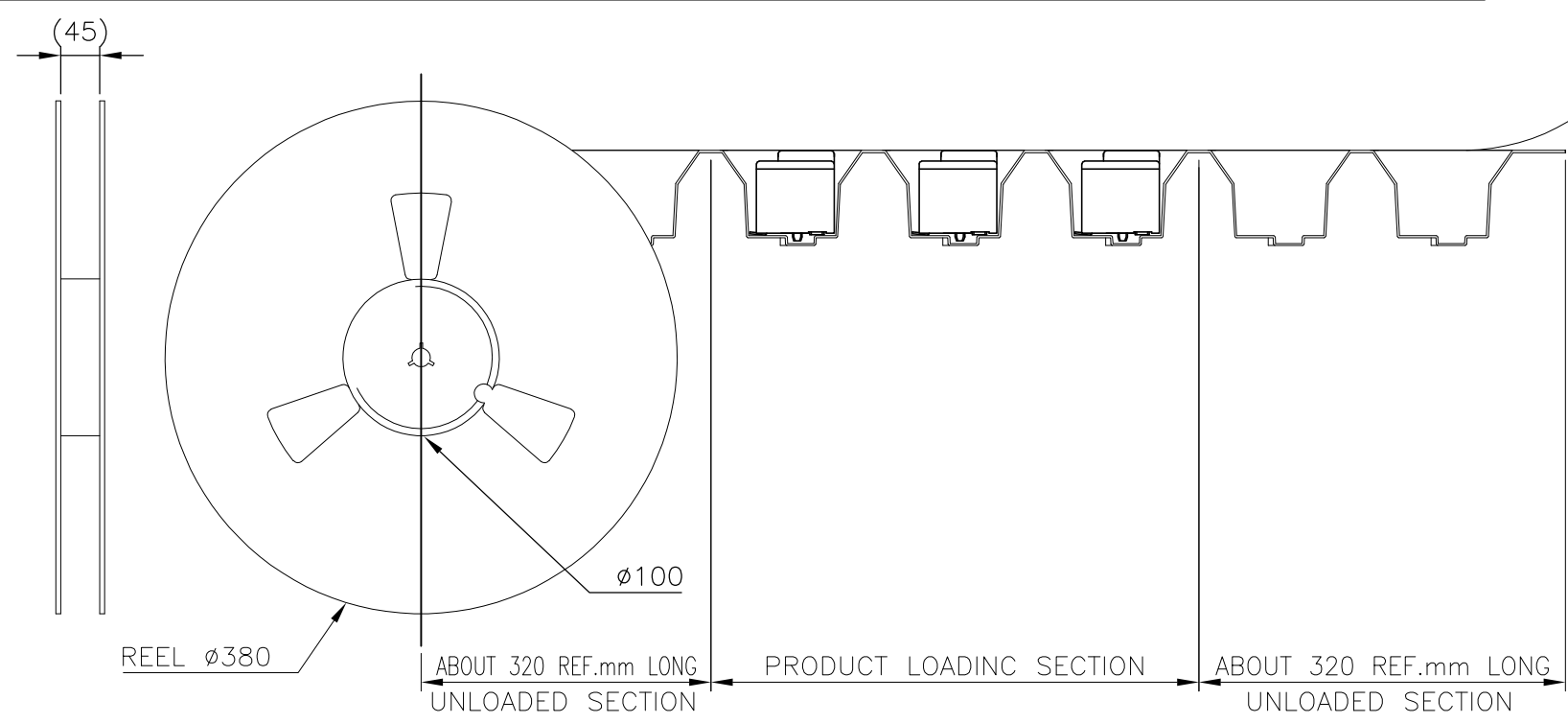
- MATERIAL:
 - HOUSING: PA9T, WITH 30% GF, UL94 V-0, BLACK COLOR.
 - INSERT HOUSING: PA9T, WITH 30% GF, UL94 V-0, BLACK COLOR.
 - PICK CAP: PA46, WITH 30% GF, UL94 V-0, BLACK COLOR.
 - CONTACTS: PHOSPHOR BRONZE.
 - HOLD DOWN: BRASS.
- FINISH:
 - CONTACTS: (SEE TABLE) GOLD PLATED ON CONTACT AREA, GOLD FLASH ON SOLDER TAIL, 1.27um [50u"] MIN. NICKEL UNDERPLATED OVERALL.
 - HOLD DOWN: 2.54um [100u"] MIN. MATTE TIN PLATED.
- REFLOW SOLDER CAPABLE TO 260°C PER TEC-109-201, CONDITION B.
- OBsolete PARTS: OBsolete CIS STREAMLINING PER D.RENAUD/D.SINISI

OBSOLETE	8P8C	WITH	1.27µm [50µ"]	2-1734858-8
			0.76µm [30µ"]	2-1734858-7
			0.38µm [15µ"]	2-1734858-6
OBSOLETE	8P8C	WITHOUT	0.15µm [6µ"]	2-1734858-5
			1.27µm [50µ"]	2-1734858-4
			0.76µm [30µ"]	2-1334858-3
			0.38µm [15µ"]	2-1734858-2
			0.15µm [6µ"]	2-1734858-1
	RJ45	PICK CAP	MIN.GOLD THICKNESS	PART NUMBER

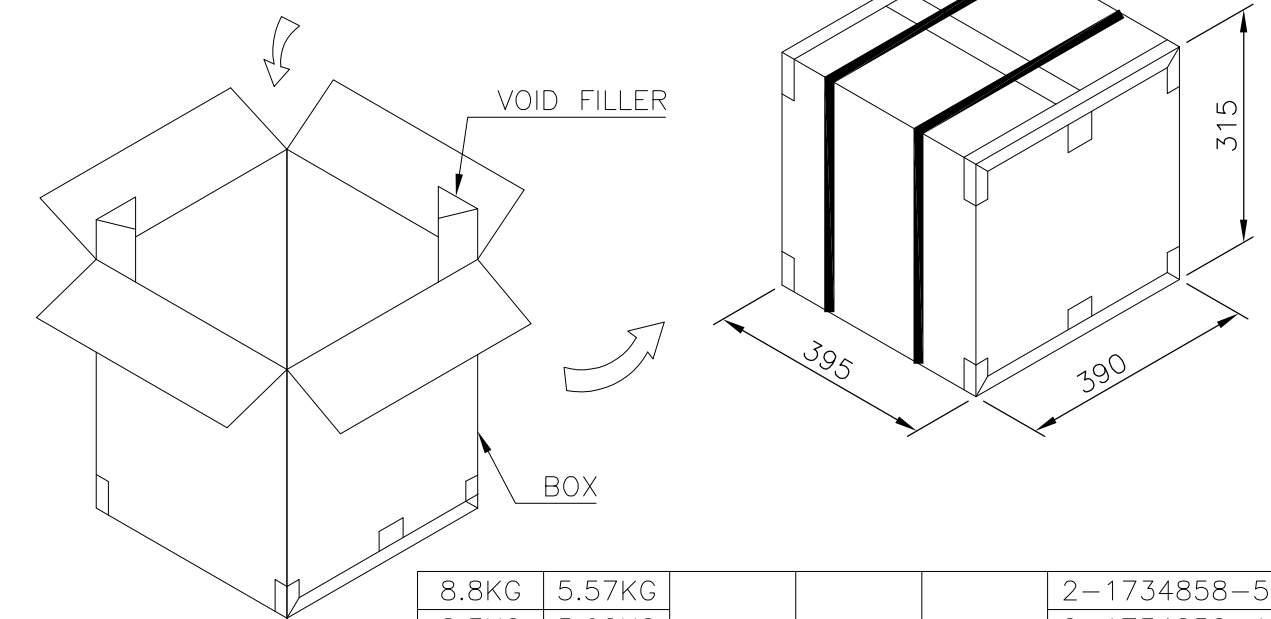
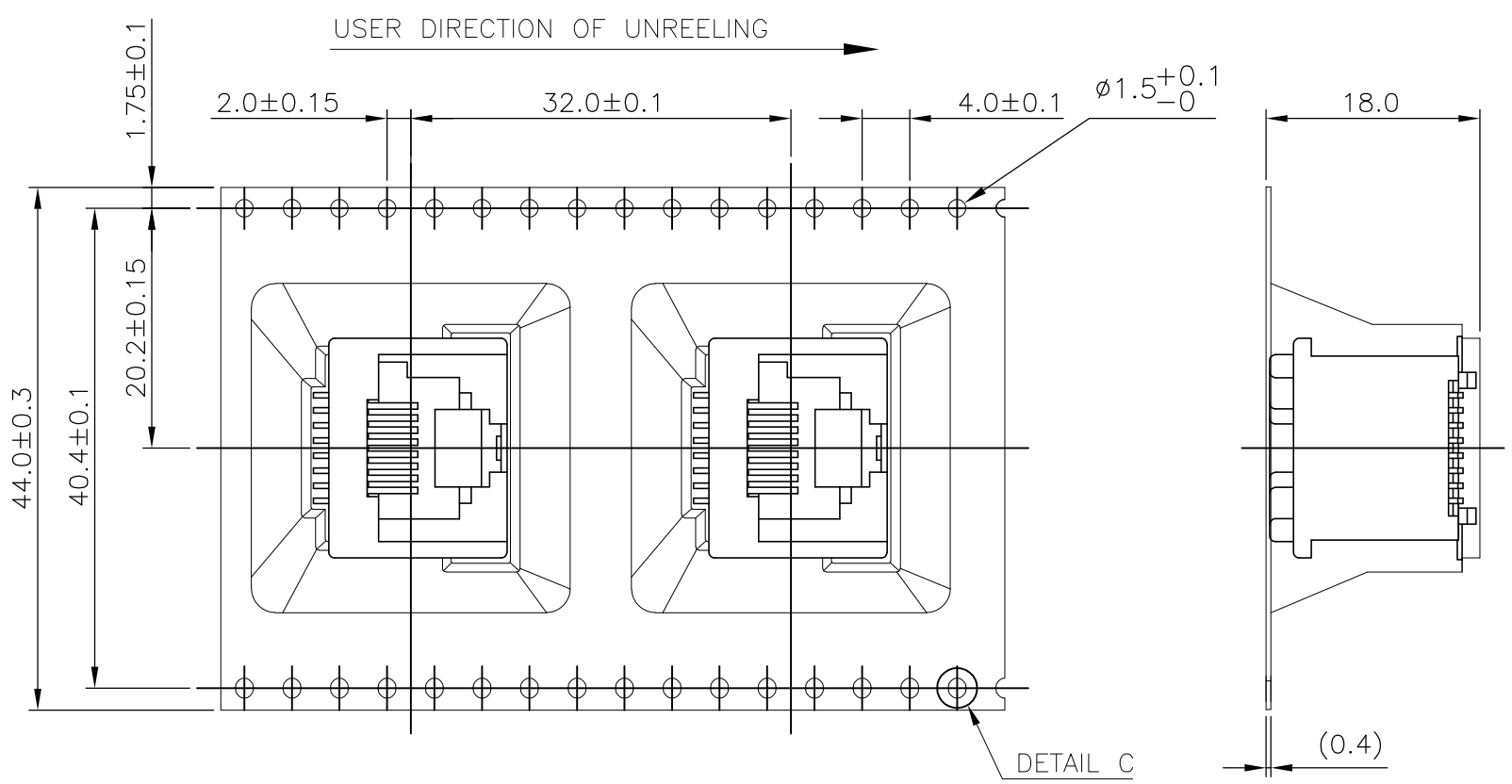
THIS DRAWING IS A CONTROLLED DOCUMENT.		DWN O. HU 06NOV2007			
		CHK S. HOU 06NOV2007			
		APVD W. KODAMA 06NOV2007	NAME		
DIMENSIONS: mm		TOLERANCES UNLESS OTHERWISE SPECIFIED:		108-57464	
		0 PLC ± -		PRODUCT SPEC	
		1 PLC ± 0.3		APPLICATION SPEC	
		2 PLC ± 0.2		SIZE	
		3 PLC ± 0.15		CAGE CODE	
		4 PLC ± -		DRAWING NO	
		ANGLES ± -		RESTRICTED TO	
MATERIAL SEE NOTE		FINISH SEE NOTE		WEIGHT 3.3	
				A300779 C-1734858	
		CUSTOMER DRAWING		SCALE 1:1 SHEET 2 of 3 REV B	

THIS DRAWING IS UNPUBLISHED. RELEASED FOR PUBLICATION
 © COPYRIGHT - TE Connectivity ALL RIGHTS RESERVED.

REVISIONS					
P	LTR	DESCRIPTION	DATE	DWN	APVD
-	-	SEE SHEET 1	-	-	-

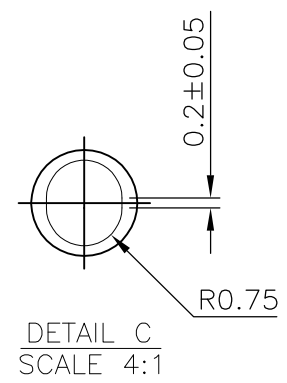
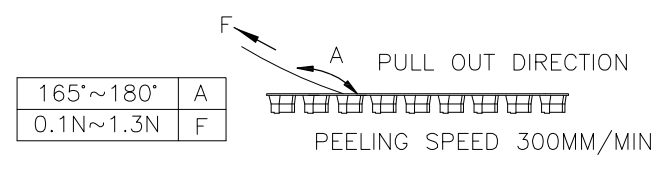


- NOTE:
- PACKAGING MATERIAL:
 - COVER TAPE: COMPOSITE OF POLYETHYLENE TEREPHTHALATE (PET)
 - CARRIER: POLYSTYRENE (PS)
 - CARRIER REEL: CORRUGATED FIBER
 - BAG: PE
 - BOX: CORRUGATED FIBER.
 - EACH BAG SHALL BE INCLUDED:
 - *DESICCANT
 - PEELING STRENGTH: 0.1~1.3N(1~130 GRAMS) FOR 12~56mm WIDE CARRIER TAPES
 - PEELING SPEED: 300mm/MINUTES.



GROSS WEIGHT	NET WEIGHT	PCS/ REEL	REEL/ BOX	PCS/ BOX	PART NUMBER
8.8KG	5.57KG	150	6	900	2-1734858-5~8
8.3KG	5.02KG				2-1734858-1~4
8.1KG	4.91KG				1-1734858-5~8
7.7KG	4.49KG				1-1734858-1~4
7.1KG	3.88KG				1734858-X

* COVER TAPE PEELING FORCE:



THIS DRAWING IS A CONTROLLED DOCUMENT.		DWN O. HU 06NOV2007	TE Connectivity		
DIMENSIONS: mm		CHK S. HOU 06NOV2007			
TOLERANCES UNLESS OTHERWISE SPECIFIED:		APVD W. KODAMA 06NOV2007	NAME		
0 PLC ± -		PRODUCT SPEC	MODULAR JACK RJ45/RJ11		
1 PLC ± 0.3		APPLICATION SPEC	TOP ENTRY, SMT TYPE		
2 PLC ± 0.2		108-57464	SIZE	CAGE CODE	DRAWING NO
3 PLC ± 0.15		-	A3	00779	C-1734858
4 PLC ± -		WEIGHT	RESTRICTED TO		
ANGLES ± -		3.3	-		
FINISH		CUSTOMER DRAWING			
SEE NOTE		SCALE		SHEET	REV
		1:1		3 OF 3	B

X-ON Electronics

Largest Supplier of Electrical and Electronic Components

Click to view similar products for [Modular Connectors / Ethernet Connectors](#) category:

Click to view products by [TE Connectivity](#) manufacturer:

Other Similar products are found below :

[8949-H88/06BLKA/SN](#) [74441-0010/BKN](#) [MP1010RX-1000](#) [MP44RX-1000](#) [PHJ-4P4C-1-V-4](#) [PHP-6P6C-5](#) [GAX-3-66](#) [GAX-8-62](#) [GDCX-PA-66-50](#) [GDCX-PN-64](#) [GDCX-PN-66](#) [GDCX-PN-66-50](#) [GDLX-A-66](#) [GDLX-N-66](#) [GDLX-S-66](#) [GDLX-S-88K](#) [GDTX-S-88-50](#) [GDX-PA-1010](#) [GLX-N-1010M-BLK](#) [GLX-S-88M-BLK](#) [GMX-N-1010](#) [GMX-S-1010](#) [GMX-S-66](#) [GMX-SMT4-N-88](#) [GPX-2-64](#) [GSGX-N-2-88](#) [GSGX-N-4-88](#) [GSX-NS2-88-3.05](#) [GSX-NS2-88-3.05-50](#) [GSX-NS-88-3.05-50](#) [PT-108A-8C-UL](#) [PT-J951-8C](#) [PTS-J531-8CS-50UL](#) [1-1775629-2](#) [A-2014-0-4](#) [GWLX-S-88-GR](#) [GWLX-S9-88-YG](#) [DC-1021-8-WH-6](#) [1300530003](#) [1324640-4](#) [RJ11FTVC2G](#) [RJ11FTVC2N](#) [RJFTVX2SA1G](#) [132764-001](#) [1413235](#) [MP88X-1000](#) [MPS88RX-5000](#) [E5288-S000K3-L](#) [E5908-15A242-L](#) [155302-001](#)