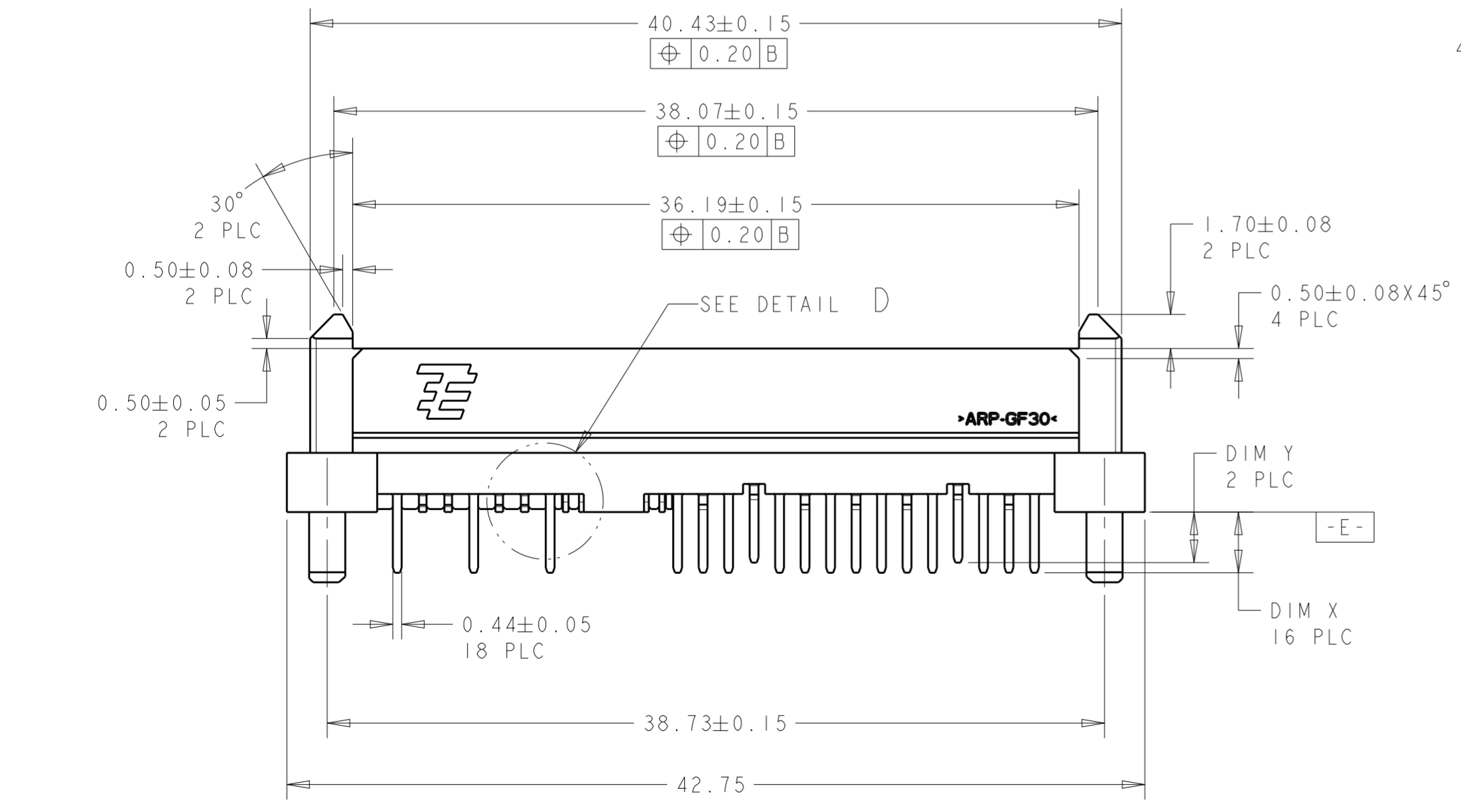
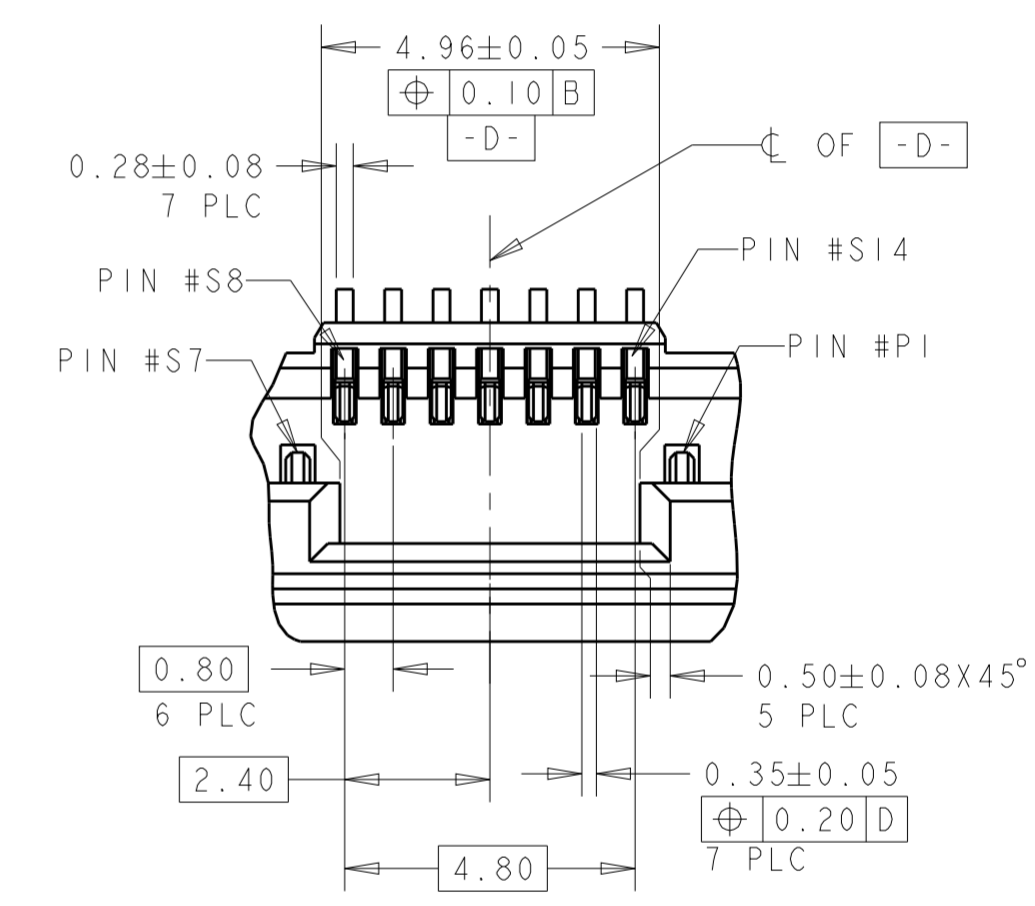
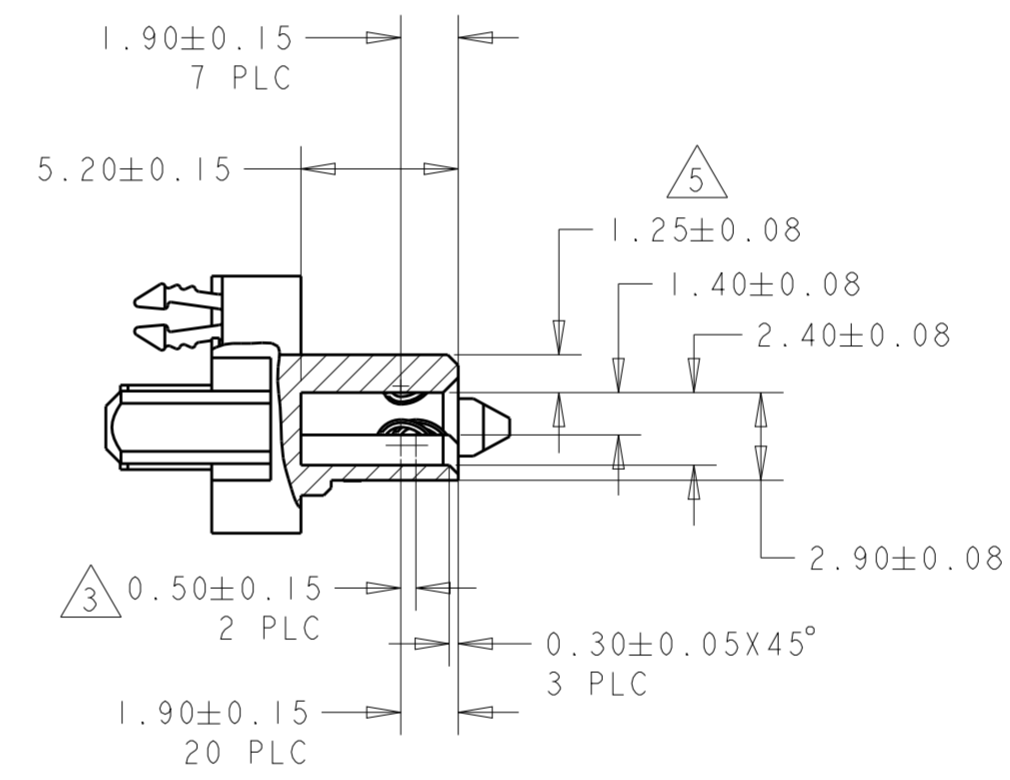
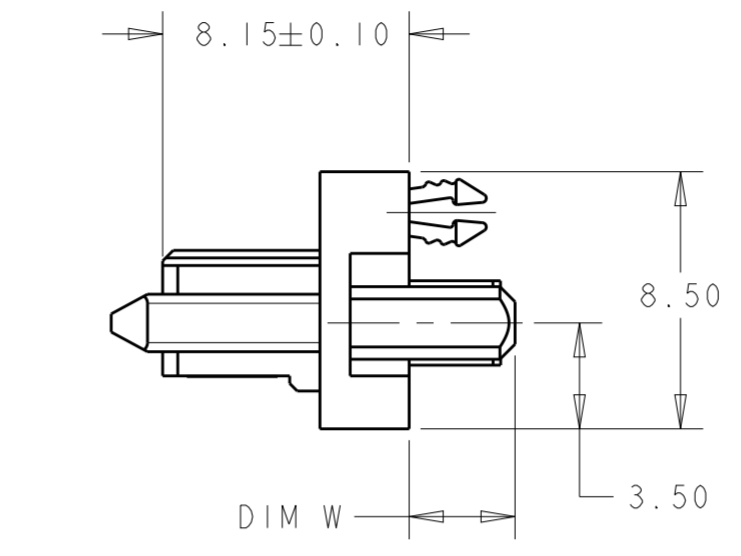
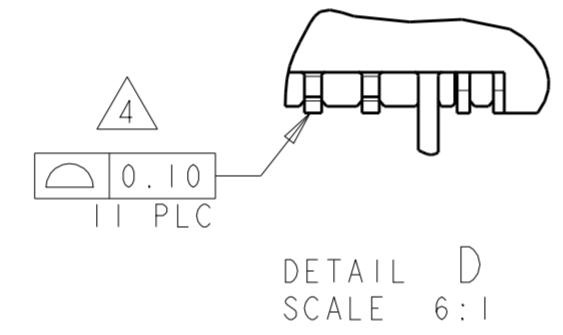
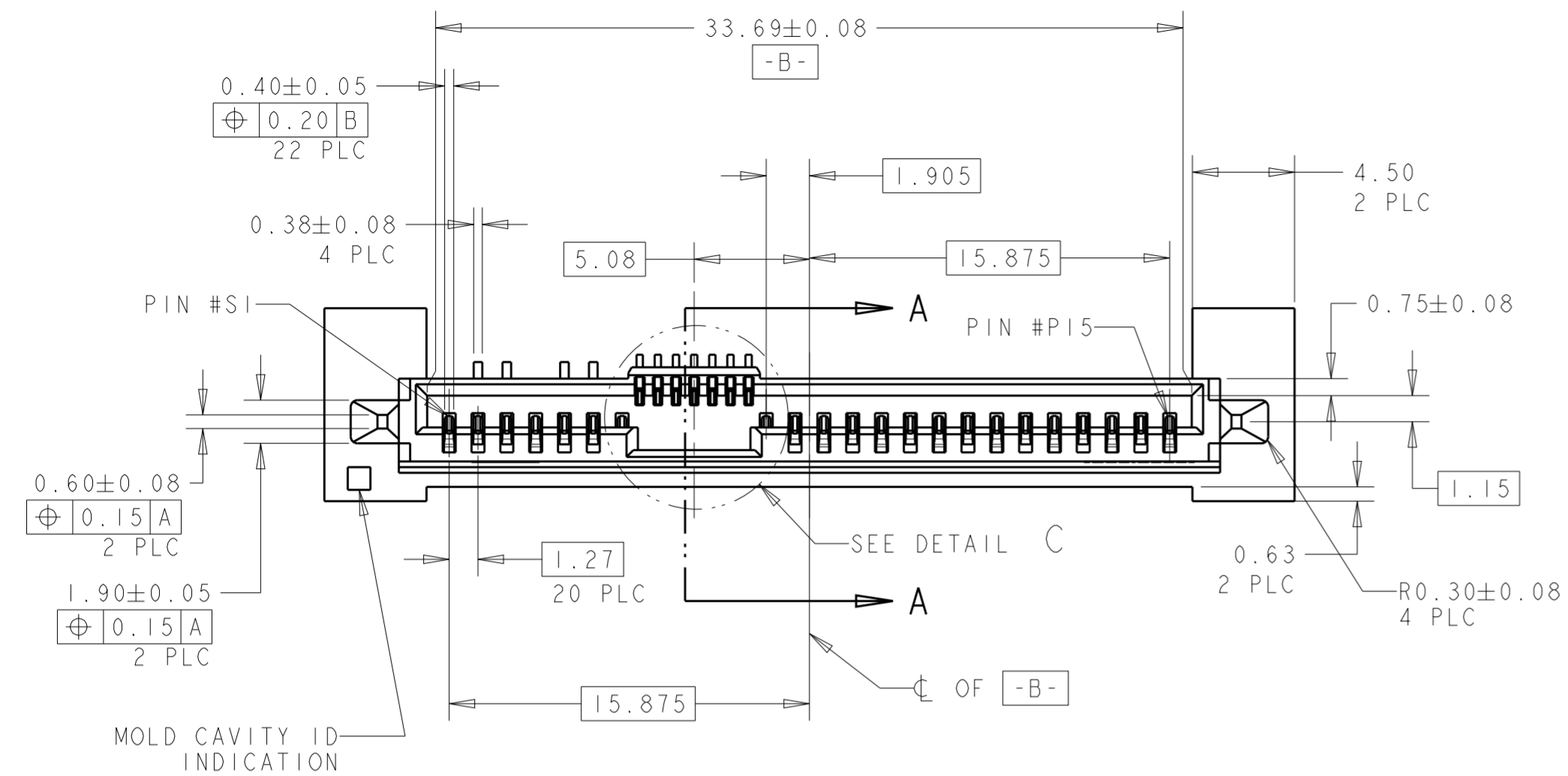


THIS DRAWING IS UNPUBLISHED. RELEASED FOR PUBLICATION 20  
 © COPYRIGHT 20 BY - ALL RIGHTS RESERVED.

REVISIONS					
P	LTR	DESCRIPTION	DATE	DWN	APVD
D1		REVISED PER ECO-11-005139	19MAR11	RK	HMR
E		REVISED PER ECO-17-007830	10JUL2017	TX	SH



SECTION A-A

DETAIL C SCALE 8:1

NOTES:

- 1 MATERIAL:  
HOUSING: HIGH TEMP THERMOPLASTIC, UL94V-0,  
COLOR: BLACK  
CONTACT: COPPER ALLOY  
BOARDLOCK: COPPER ALLOY
- 2 FINISH:  
CONTACT AREA: MIN 0.76um GOLD PLATING  
SOLDERTAIL: MIN 2.54um MATTE TIN PLATING  
UNDERPLATE: MIN 1.27um NICKEL PLATING
- 3 PIN #P4 AND #P12 ONLY
- 4 SOLDERTAIL TO BE 0.05 MAX ABOVE AND 0.10 MAX BELOW DATUM E
- 5 1.33 MAX MEASURED AT -C-
- 6 MAX DIMENSION. -0.20mm TOLERANCE APPLIES.

DIM Z	DIM Y	DIM X	DIM W	PACKAGING	BOARDLOCK	PICK-UP CAP	PART NUMBER
2.11	2.11	2.11	2.11	TAPE & REEL	FORK TYPE (2)	YES	2-1735104-1
2.79	3.81	4.31	3.50	TAPE & REEL	ZIF TYPE (3)	YES	1-1735104-6
2.30	2.30	2.30	2.30	TAPE & REEL	ZIF TYPE (3)	YES	1-1735104-5
<del>2.79</del>	<del>3.20</del>	<del>3.70</del>	<del>3.50</del>	<del>TAPE &amp; REEL</del>	<del>ZIF TYPE (3)</del>	<del>YES</del>	<del>1-1735104-4</del>
2.79	2.52	3.02	3.50	TAPE & REEL	ZIF TYPE (3)	YES	1-1735104-3
2.79	3.20	3.70	3.50	TRAY	ZIF TYPE (3)	YES	1735104-4
2.79	2.52	3.02	3.50	TRAY	ZIF TYPE (3)	YES	1735104-3
2.55	2.52	3.02	3.50	TRAY	FORK TYPE (2)	NO	1735104-1

**OBSOLETE**

THIS DRAWING IS A CONTROLLED DOCUMENT. DWN SK LEAW 29JUL2005  
 CHK SF LEONG 29JUL2005  
 APVD SF LEONG 29JUL2005

TE Connectivity

SAS BACKPLANE RECEPTACLE  
 VERTICAL, HYBRID

108-51067

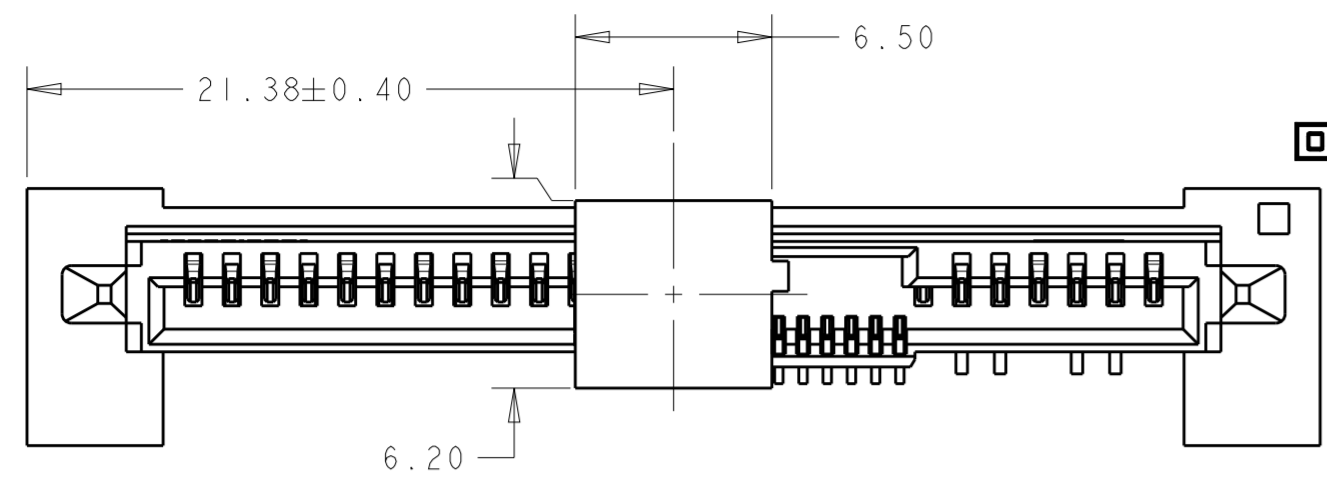
SIZE A2 CAGE CODE 00779 DRAWING NO C-1735104 RESTRICTED TO -

CUSTOMER DRAWING SCALE 4:1 SHEET 1 OF 2 REV E

THIS DRAWING IS UNPUBLISHED. RELEASED FOR PUBLICATION 20  
 © COPYRIGHT 20 BY - ALL RIGHTS RESERVED.

REVISIONS				
P	LTR	DESCRIPTION	DATE	APVD
-	-	SEE SHEET 1	-	-

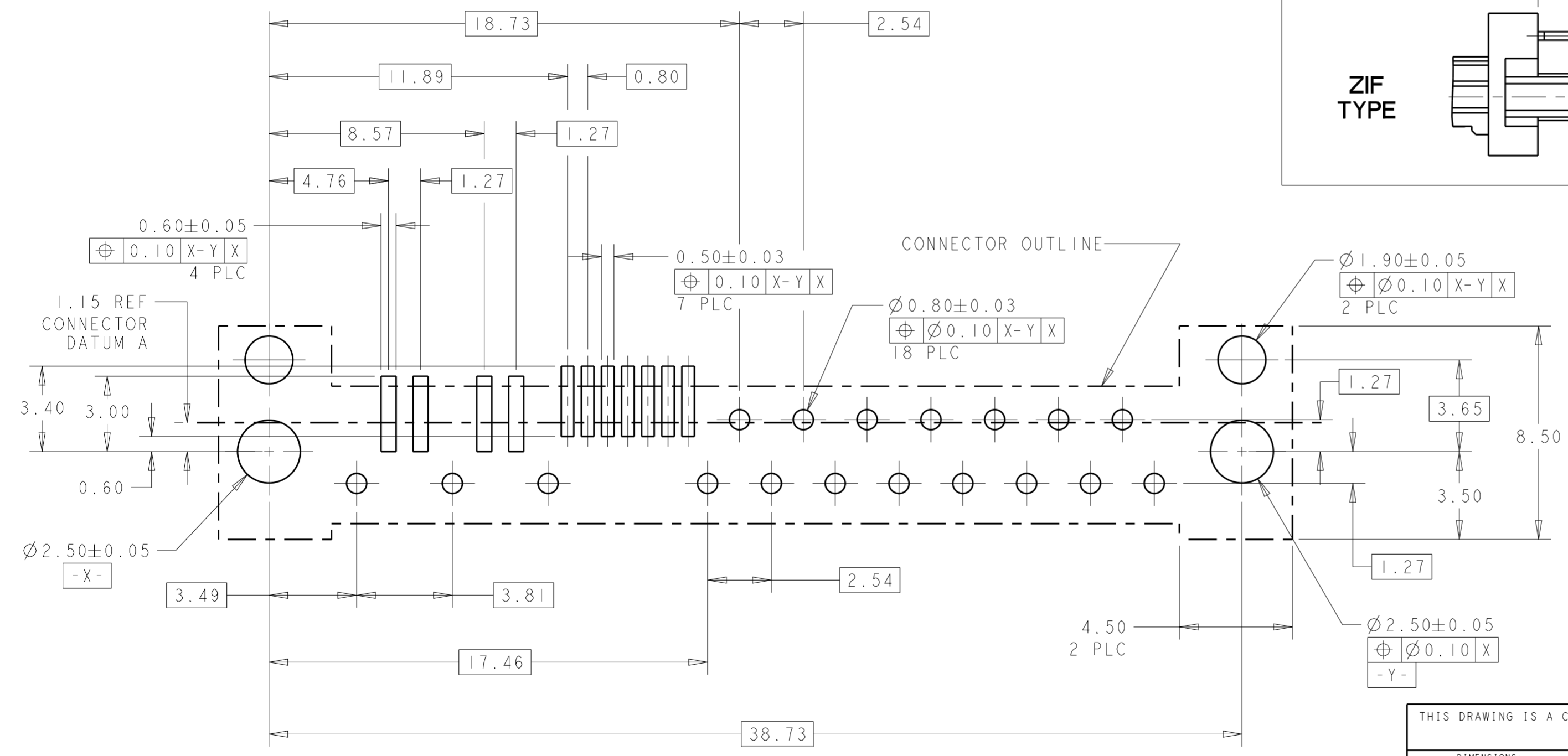
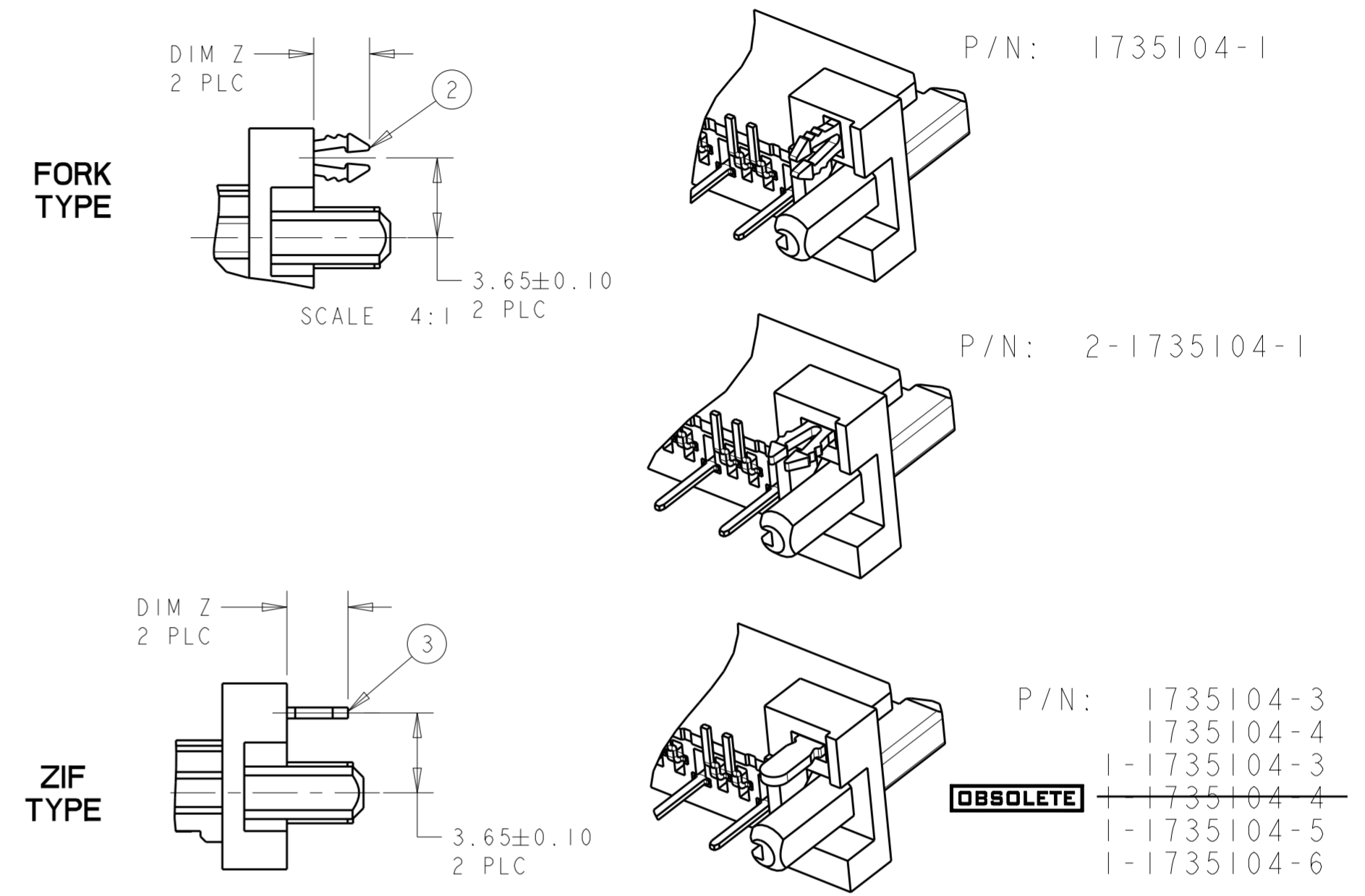
VIEW SHOWN WITH PICK-UP CAP



P/N: 1735104-3  
 1735104-4  
 1-1735104-3  
~~1735104-4~~  
 1-1735104-5  
 1-1735104-6  
 2-1735104-1

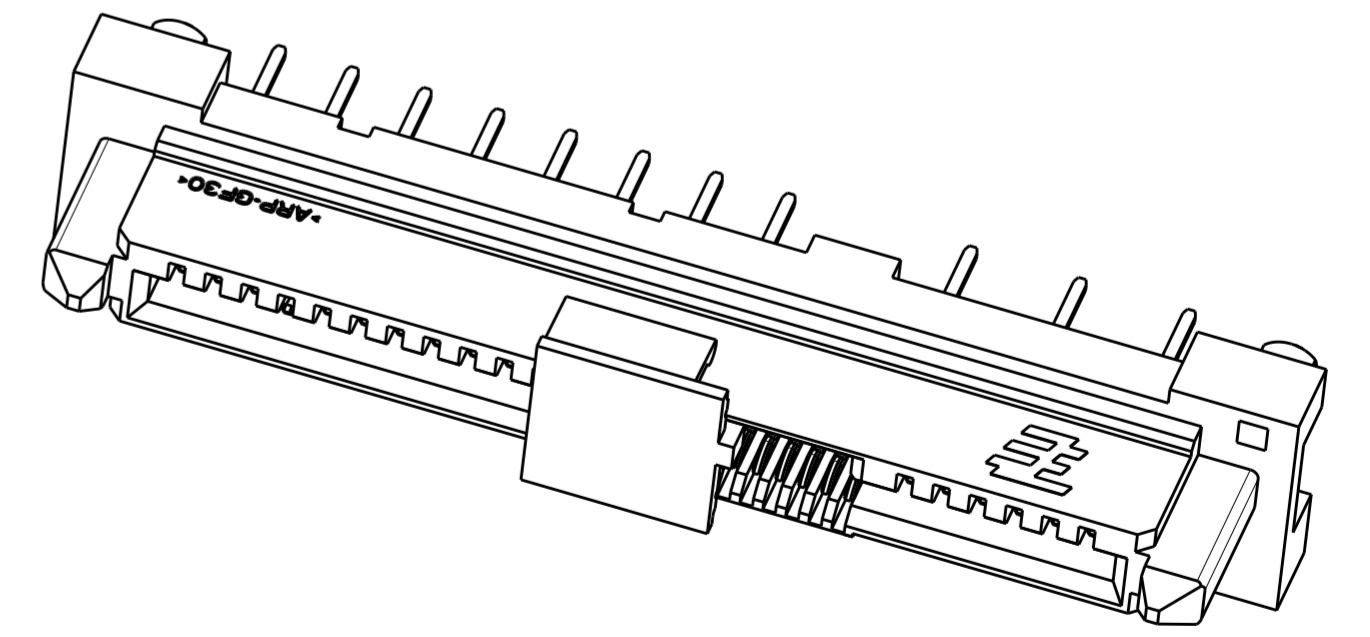
**OBSELETE**

**BOARDLOCK CONFIGURATION**



CONNECTOR OUTLINE

RECOMMENDED PCB LAYOUT  
 SCALE 6:1



THIS DRAWING IS A CONTROLLED DOCUMENT.		DWN SK LEAW 29 JUL 2005	TE Connectivity
DIMENSIONS: mm		CHK SF LEONG 29 JUL 2005	
TOLERANCES UNLESS OTHERWISE SPECIFIED:		APVD SF LEONG 29 JUL 2005	
0 PLC ± 1 PLC ± 2 PLC ±0.20 3 PLC ± 4 PLC ± ANGLES ±3° FINISH		PRODUCT SPEC 108-51067 APPLICATION SPEC WEIGHT CUSTOMER DRAWING	
NAME SAS BACKPLANE RECEPTACLE VERTICAL, HYBRID			RESTRICTED TO
SIZE CAGE CODE DRAWING NO			SCALE 4:1 SHEET 2 OF 2 REV E
A200779 C-1735104			

## X-ON Electronics

Largest Supplier of Electrical and Electronic Components

*Click to view similar products for [DIMM Connectors](#) category:*

*Click to view products by [TE Connectivity](#) manufacturer:*

Other Similar products are found below :

[1-1932649-2](#) [1-1761024-0](#) [2309411-5](#) [296409204002856+](#) [10116658-252ASLF](#) [5390471-1](#) [2309413-3](#) [78507-0061](#) [KIT-SODIMM-1X16GB/01](#) [10129206-0010013LF](#) [10086891-052TSLF](#) [10079192-11102LF](#) [10116658-152FSLF](#) [10129206-0011113LF](#) [1-2308107-0](#) [2013310-1](#) [2013289-1](#) [390111-1](#) [390112-1](#) [2309413-1](#) [2309407-1](#) [2309414-1](#) [10081530-12208LF](#) [151080-0001](#) [78726-1004](#) [10005639-11107LF](#) [10005639-11109LF](#) [10005639-12207LF](#) [10023061-10207LF](#) [10033853-252FSLF](#) [10033853-052ASLF](#) [10033853-052FSLF](#) [10033853-152FSLF](#) [10033854-052FSLF](#) [10034542-10002LF](#) [10037402-12207LF](#) [10081530-11107LF](#) [10081530-12207LF](#) [10081530-12218LF](#) [10124632-0030001LF](#) [10124806-01006LF](#) [10145891-0320J13LF](#) [10145226-0241N13LF](#) [59354-052FSLF](#) [59355-052FSLF](#) [DDR4288S0211TF](#) [DDR4288S0511H](#) [DDR4288S0511TF](#) [DDR4288V0123TF](#) [DDR4288V0213TF](#)