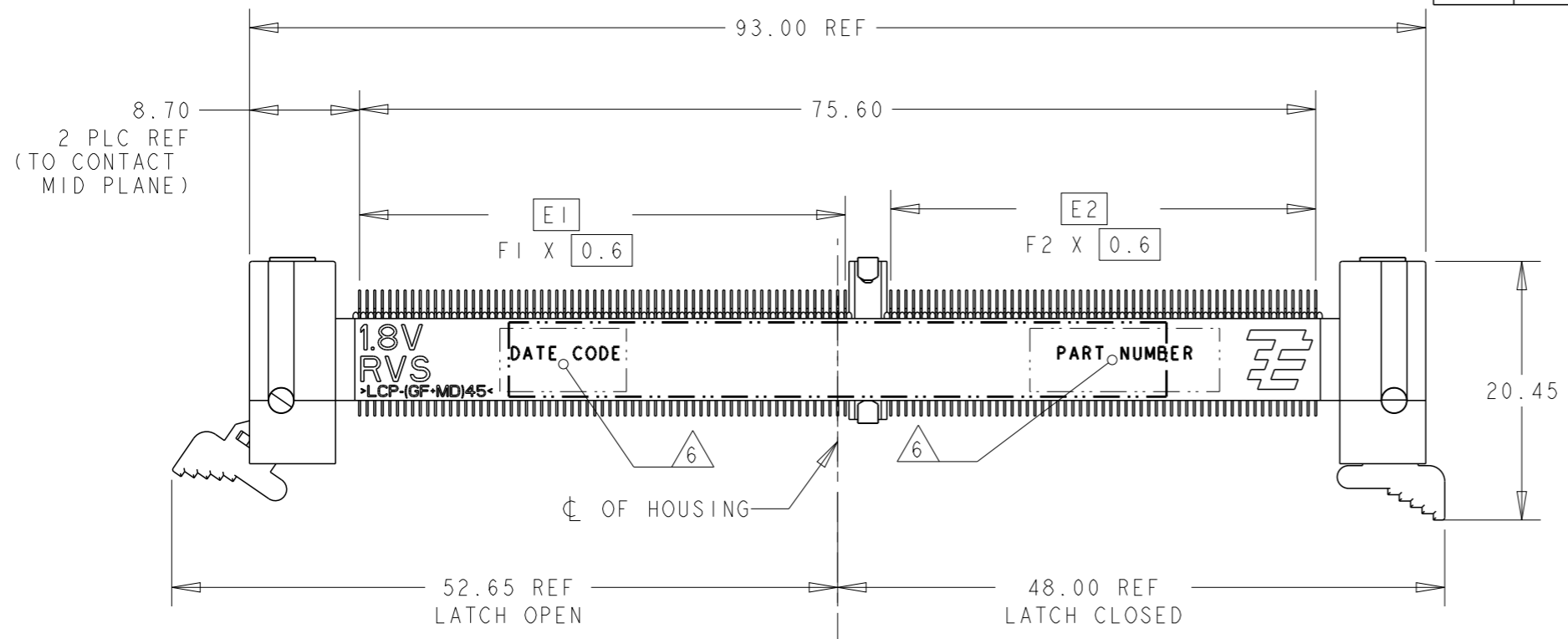


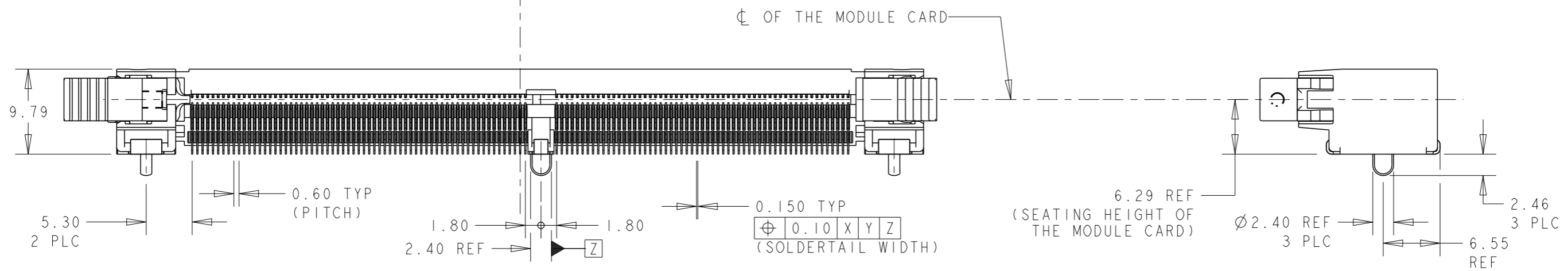
THIS DRAWING IS UNPUBLISHED. RELEASED FOR PUBLICATION .19 .
 © COPYRIGHT 19 BY AMP INCORPORATED. ALL RIGHTS RESERVED.

LOC
DY
DIST
-

REVISIONS					
P	LTR	DESCRIPTION	DATE	DWN	APVD
	B5	REVISED PER ECR-11-022142	01NOV2011	SYJ	LSF



- 1 MATERIAL: HOUSING: HIGH TEMP LCP, BLACK, UL94V-0
LATCHES: HIGH TEMP LCP, NATURAL, UL94V-0
CONTACTS: COPPER ALLOY
SOLDERPEGS: COPPER ALLOY
- 2 FINISH: ENGAGEMENT AREAS: 0.76µm MIN GOLD OVER
1.25µm MIN NICKEL
SOLDERTAILS: 0.02µm MIN GOLD OVER
1.25µm MIN NICKEL
- 3 FINISH: ENGAGEMENT AREAS: 0.38µm MIN GOLD OVER
1.25µm MIN NICKEL
SOLDERTAILS: 0.02µm MIN GOLD OVER
1.25µm MIN NICKEL
- 4 ACCEPTS 1.0mm THICK MEMORY MODULE, PER JEDEC MO-244,
WITH BEVELS (FOR INSERTION LEAD-IN) REQUIRED.
- 5 PRODUCT SHALL BE PACKED IN JEDEC HARD TRAY (BLACK).
- 6 PART NUMBER AND DATE CODE SHALL BE MARKED LEGIBLY
AS SHOWN. DATE CODE FORMAT: YYWWD.



64	56	38.4	33.6	45.5	40.7	DDR3 (AB/BB/CB) ; STD	1.5V	3	1- -4
64	56	38.4	33.6	45.5	40.7	DDR2 (AA/BA/CA) ; STD	1.8V	3	1- -3
56	64	33.6	38.4	40.7	45.5	DDR3 (AB/BB/CB) ; RVS	1.5V	3	1- -2
56	64	33.6	38.4	40.7	45.5	DDR2 (AA/BA/CA) ; RVS	1.8V	3	1- -1
64	56	38.4	33.6	45.5	40.7	DDR3 (AB/BB/CB) ; STD	1.5V	2	-4
64	56	38.4	33.6	45.5	40.7	DDR2 (AA/BA/CA) ; STD	1.8V	2	-3
56	64	33.6	38.4	40.7	45.5	DDR3 (AB/BB/CB) ; RVS	1.5V	2	-2
56	64	33.6	38.4	40.7	45.5	DDR2 (AA/BA/CA) ; RVS	1.8V	2	-1
F2	F1	E2	E1	B2	B1	VARIATION ; ORIENTATION MODULE	VOLTAGE MARKING	CONTACT FINISH	P/N

THIS DRAWING IS A CONTROLLED DOCUMENT FOR AMP INCORPORATED.
 IT IS SUBJECT TO CHANGE AND THE CONTROLLING ENGINEERING
 ORGANIZATION SHOULD BE CONTACTED FOR THE LATEST REVISION.

DIMENSIONS: mm	
MATERIAL	

TOLERANCES UNLESS OTHERWISE SPECIFIED:	
0 PLC	±0.25
1 PLC	±0.13
2 PLC	±0.10
3 PLC	±0.10
4 PLC	±0.10
ANGLES	±1°
FINISH	
SEE P/N TABLE	

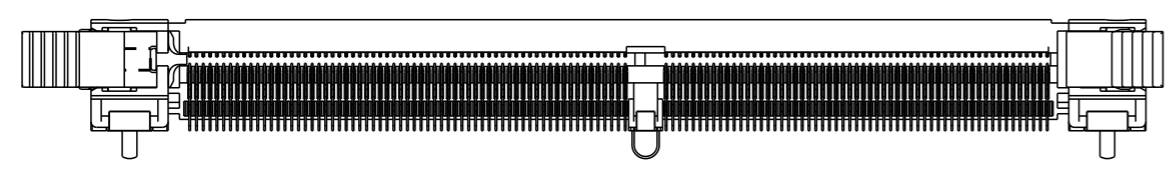
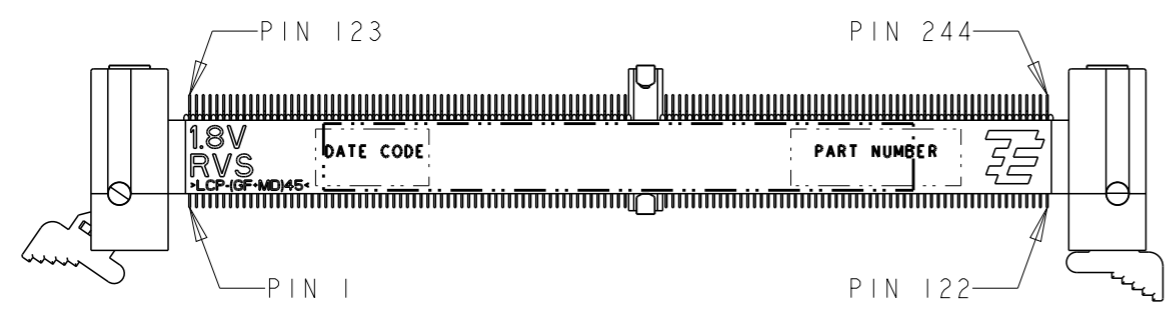
DWN	WYLEE	18MAY2007
CHK	YJ SEE	
APVD	SF LEONG	
PRODUCT SPEC	108-51091	
APPLICATION SPEC	114-51011	
WEIGHT	-	
CUSTOMER DRAWING		

TE CONNECTIVITY Singapore		
NAME ASSEMBLY, MINIDIMM, R/A, LF 0.60mm PITCH, 244 CKTS, DDR2/3		
SIZE A3	CAGE CODE 00779	DRAWING NO C=1735438
SCALE 1:1		SHEET 1 OF 5
		REV B5

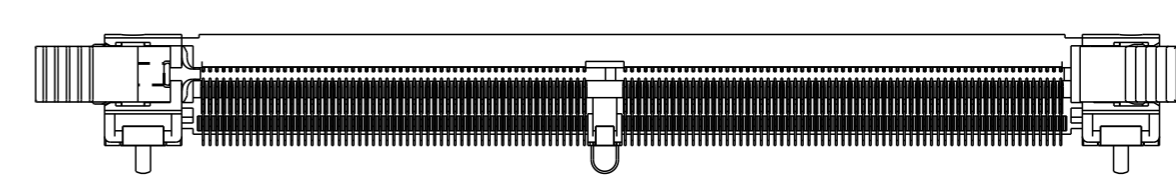
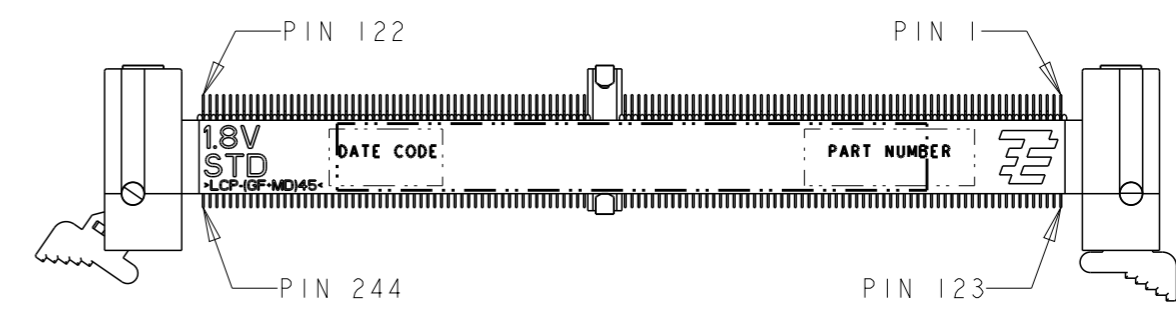
P/N -1 AS SHOWN

THIS DRAWING IS UNPUBLISHED. RELEASED FOR PUBLICATION .19 .
 © COPYRIGHT 19 BY AMP INCORPORATED. ALL RIGHTS RESERVED.

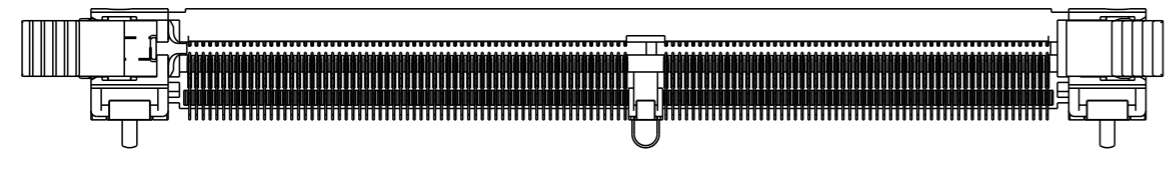
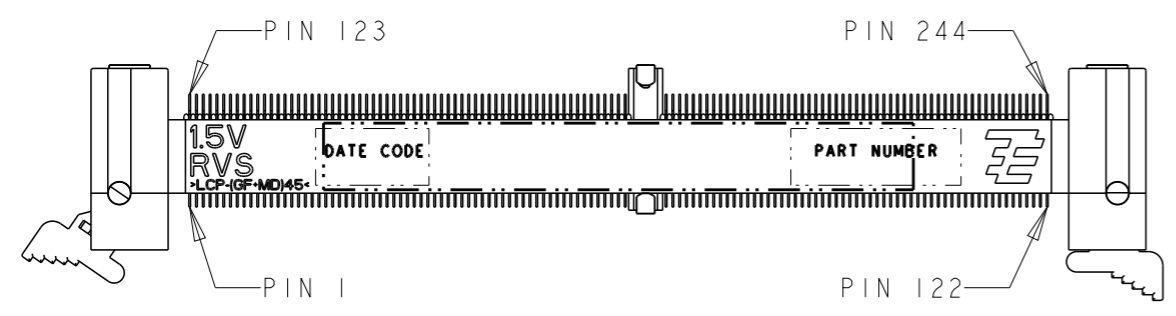
LOC		DIST		REVISIONS			
P	LTR	DESCRIPTION	DATE	DWN	APVD		
DY	-	SEE SHEET 1	-	-	-		



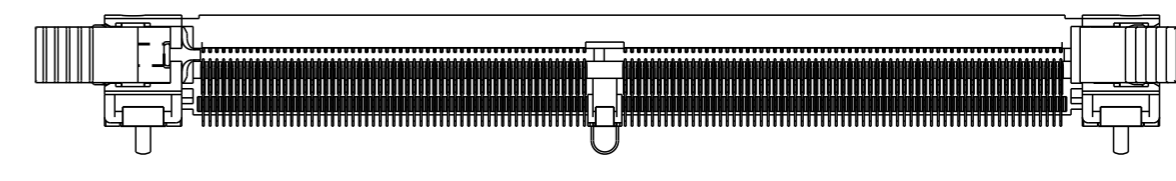
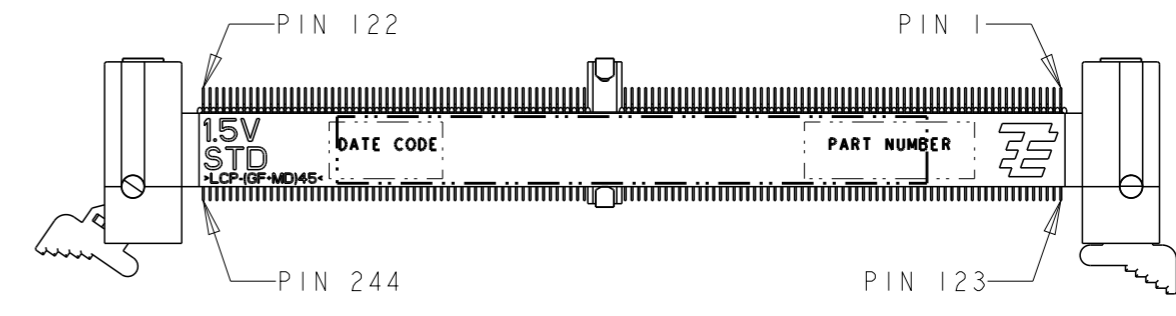
P/N X- -1
(1.8V RVS)
SCALE 3:2



P/N X- -3
(1.8V STD)
SCALE 3:2



P/N X- -2
(1.5V RVS)
SCALE 3:2

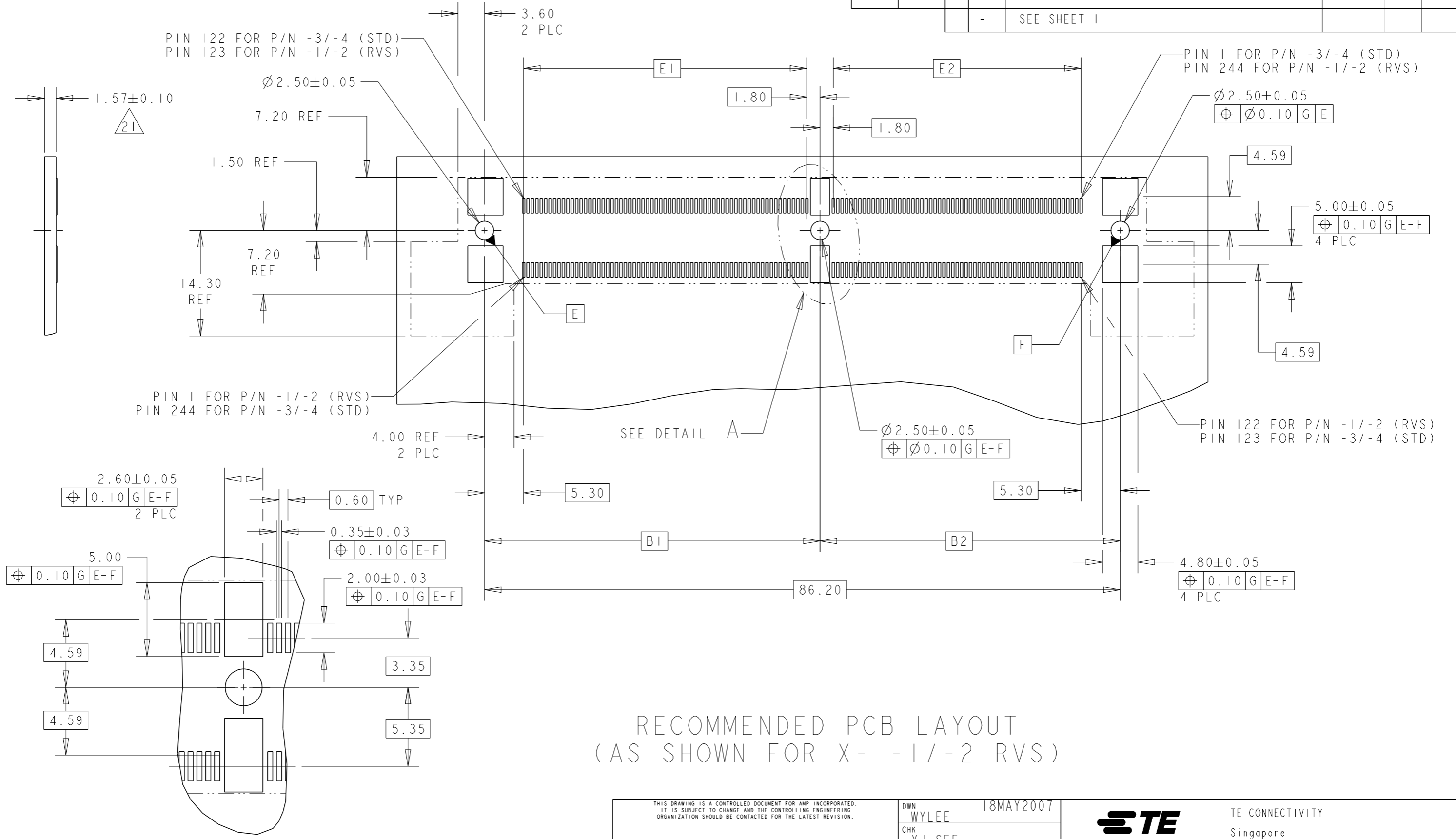


P/N X- -4
(1.5V STD)
SCALE 3:2

THIS DRAWING IS A CONTROLLED DOCUMENT FOR AMP INCORPORATED. IT IS SUBJECT TO CHANGE AND THE CONTROLLING ENGINEERING ORGANIZATION SHOULD BE CONTACTED FOR THE LATEST REVISION.		DWN WYLEE 18MAY2007 CHK YJ SEE APVD SF LEONG PRODUCT SPEC 108-51091 APPLICATION SPEC 114-51011 WEIGHT - CUSTOMER DRAWING	STE TE CONNECTIVITY Singapore NAME ASSEMBLY, MINIDIMM, R/A, LF 0.60mm PITCH, 244 CKTS, DDR2/3 SIZE A3 CAGE CODE 00779 DRAWING NO ©-1735438 SCALE 3:2 SHEET 2 OF 5 REV B5
DIMENSIONS: mm 	TOLERANCES UNLESS OTHERWISE SPECIFIED: 0 PLC ± 1 PLC ±0.25 2 PLC ±0.13 3 PLC ±0.10 4 PLC ± ANGLES ±1°	MATERIAL 	FINISH SEE P/N TABLE

THIS DRAWING IS UNPUBLISHED. RELEASED FOR PUBLICATION .19
 © COPYRIGHT 19 BY AMP INCORPORATED. ALL RIGHTS RESERVED.

LOC	DIST	REVISIONS					
DY	-	P	LTR	DESCRIPTION	DATE	DWN	APVD
		-		SEE SHEET 1			

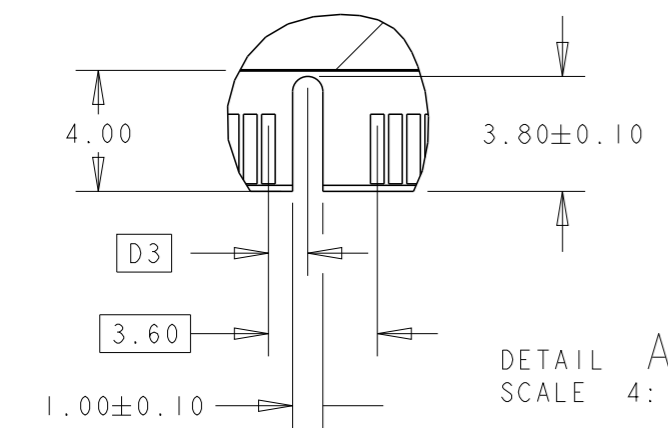
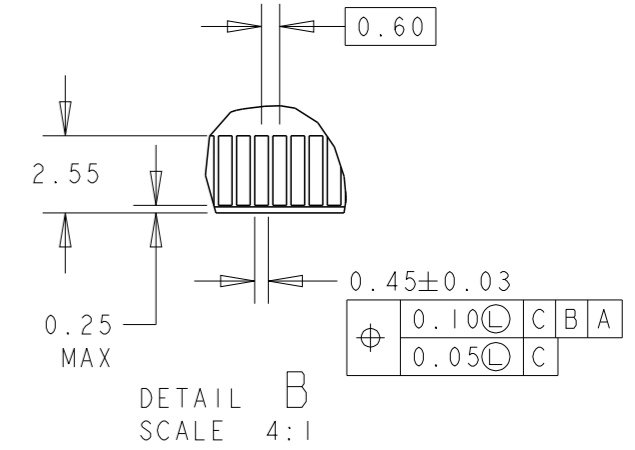
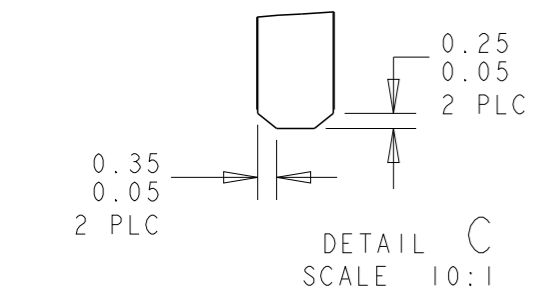
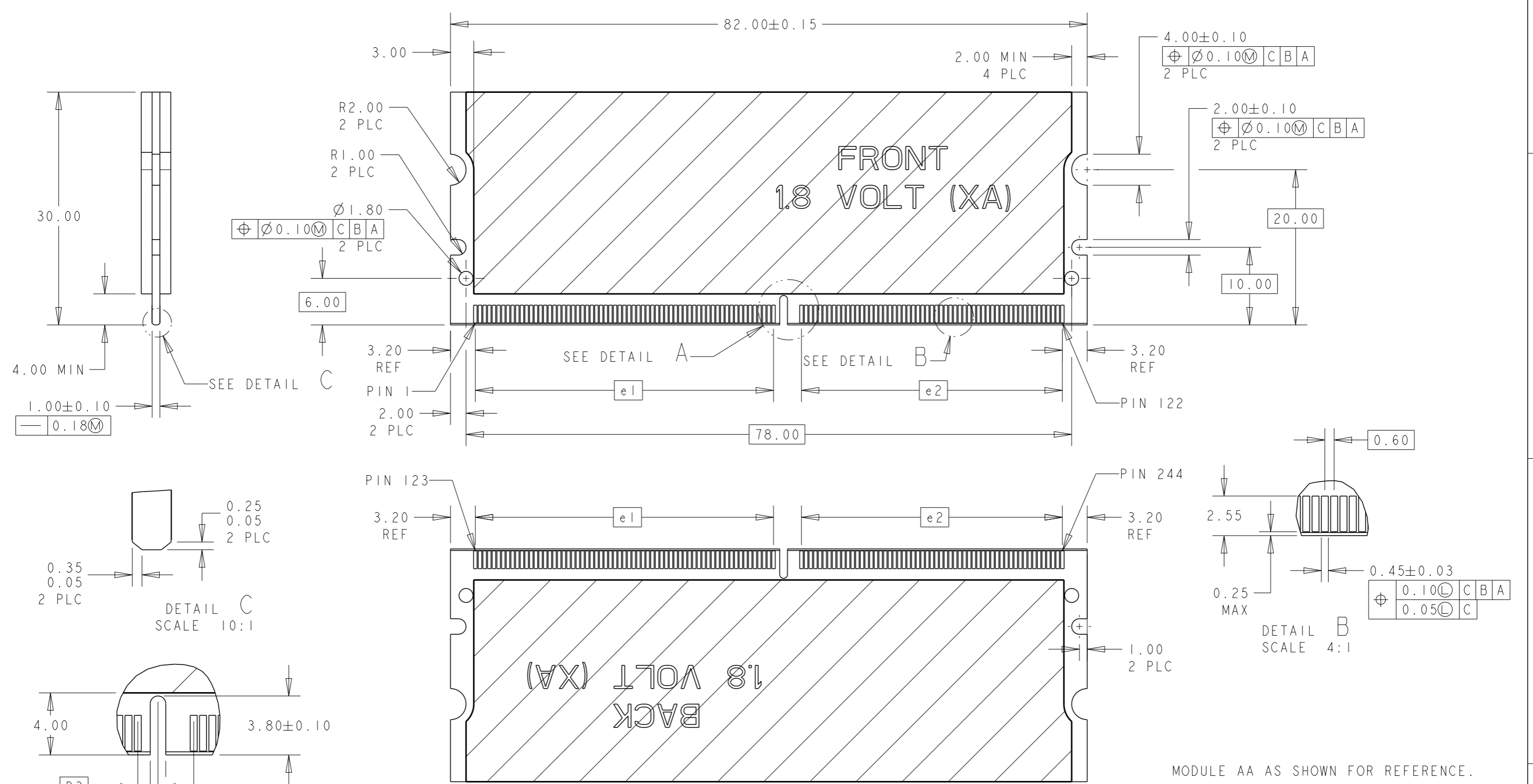


RECOMMENDED PCB LAYOUT
 (AS SHOWN FOR X- -1/-2 RVS)

THIS DRAWING IS A CONTROLLED DOCUMENT FOR AMP INCORPORATED. IT IS SUBJECT TO CHANGE AND THE CONTROLLING ENGINEERING ORGANIZATION SHOULD BE CONTACTED FOR THE LATEST REVISION.		DWN WYLEE	18MAY2007	STE TE CONNECTIVITY Singapore
DIMENSIONS: mm		CHK YJ SEE	APVD SF LEONG	
TOLERANCES UNLESS OTHERWISE SPECIFIED: 0 PLC ±.25 1 PLC ±0.25 2 PLC ±0.13 3 PLC ±0.10 4 PLC ±. ANGLES ±1°		PRODUCT SPEC 108-51091		SIZE A3
MATERIAL		APPLICATION SPEC 114-51011		CAGE CODE 00779
FINISH		WEIGHT -		DRAWING NO C=1735438
CUSTOMER DRAWING				SCALE 2:1
				SHEET 3 OF 5
				REV B5

THIS DRAWING IS UNPUBLISHED. RELEASED FOR PUBLICATION .19 .
 BY AMP INCORPORATED. ALL RIGHTS RESERVED.

LOC DY	DIST -	REVISIONS		
P	LTR	DESCRIPTION	DATE	DWN
-	-	SEE SHEET 1	-	-



FOR P/N X- -2 AND X- -4.	2.3	33.6	38.4	1.5V	AB/BB/CB
FOR P/N X- -1 AND X- -3.	1.3	33.6	38.4	1.8V	AA/BA/CA
REMARKS	D3	e2	e1	VOLTAGE MARKING	MODULE VARIATION

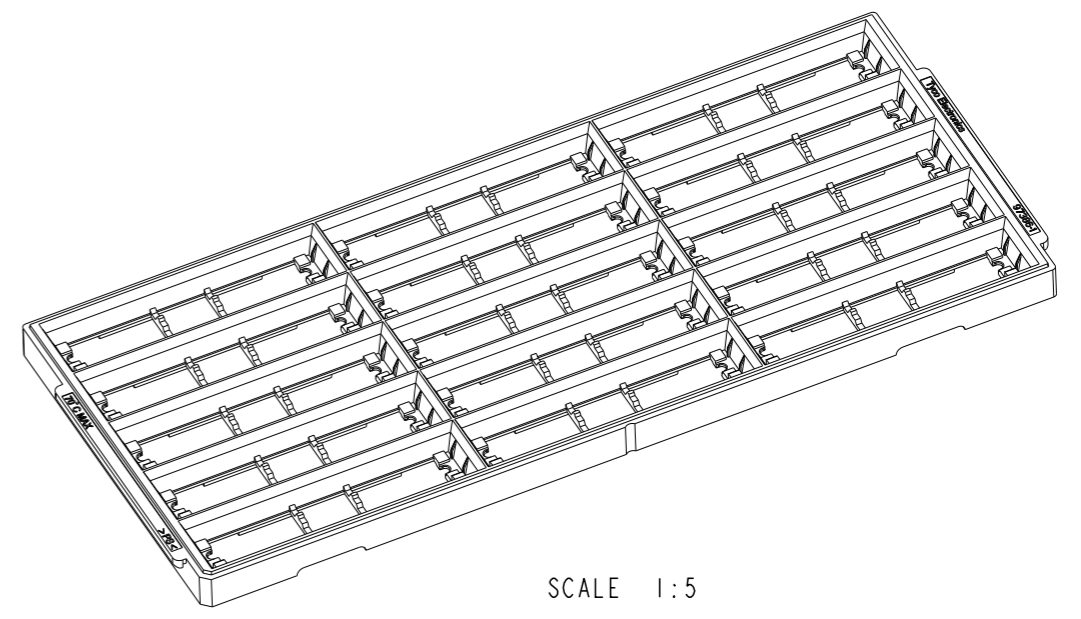
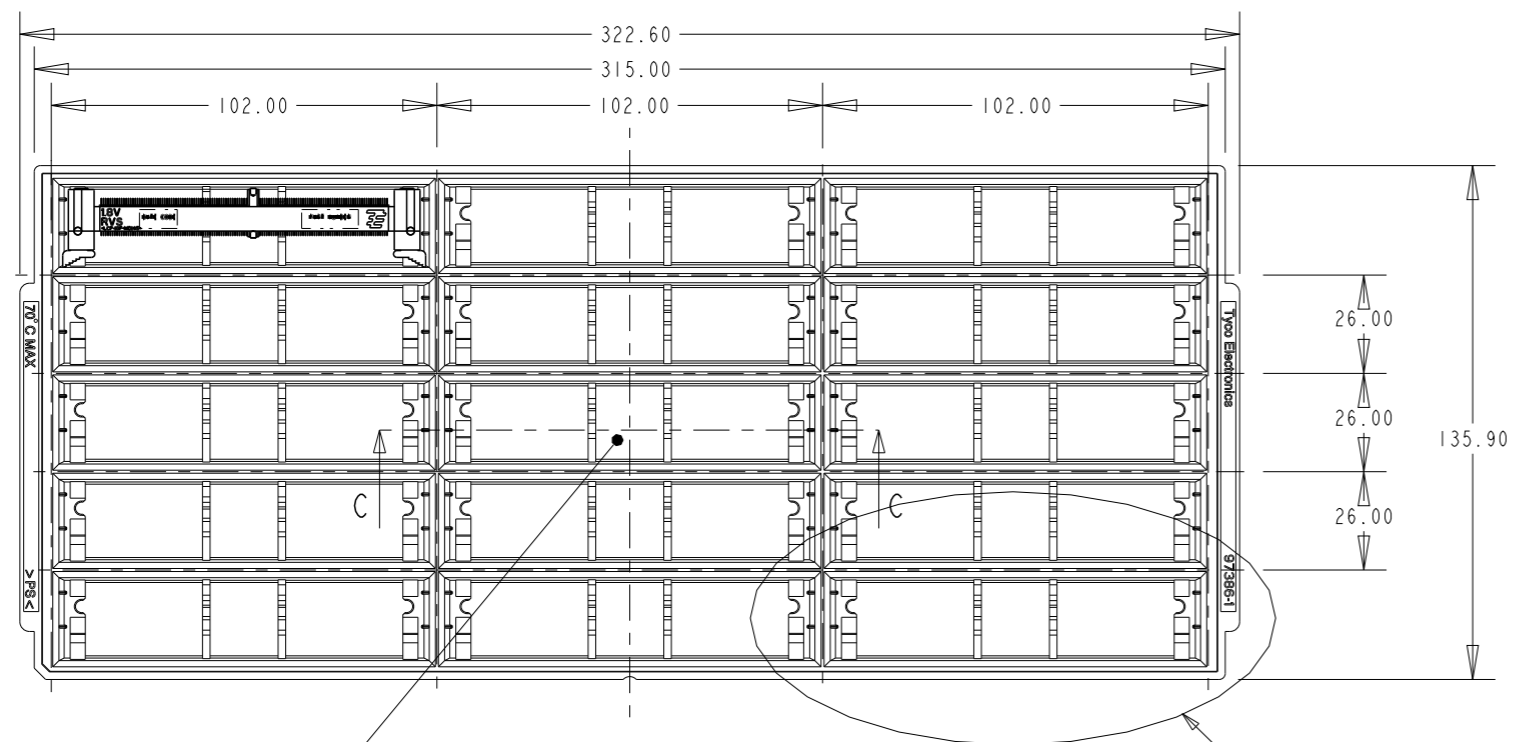
THIS DRAWING IS A CONTROLLED DOCUMENT FOR AMP INCORPORATED. IT IS SUBJECT TO CHANGE AND THE CONTROLLING ENGINEERING ORGANIZATION SHOULD BE CONTACTED FOR THE LATEST REVISION.

DWN WYLEE	18MAY2007	STE TE CONNECTIVITY Singapore
CHK YJ SEE		
APVD SF LEONG	PRODUCT SPEC 108-51091	NAME ASSEMBLY, MINIDIMM, R/A, LF 0.60mm PITCH, 244 CKTS, DDR2/3
	APPLICATION SPEC 114-51011	
MATERIAL	FINISH	SIZE A3
		CAGE CODE 00779
		DRAWING NO C=1735438
		SCALE 1:1
		SHEET 4 OF 5
		REV B5

CUSTOMER DRAWING

THIS DRAWING IS UNPUBLISHED. RELEASED FOR PUBLICATION .19 .
 © COPYRIGHT 19 BY AMP INCORPORATED. ALL RIGHTS RESERVED.

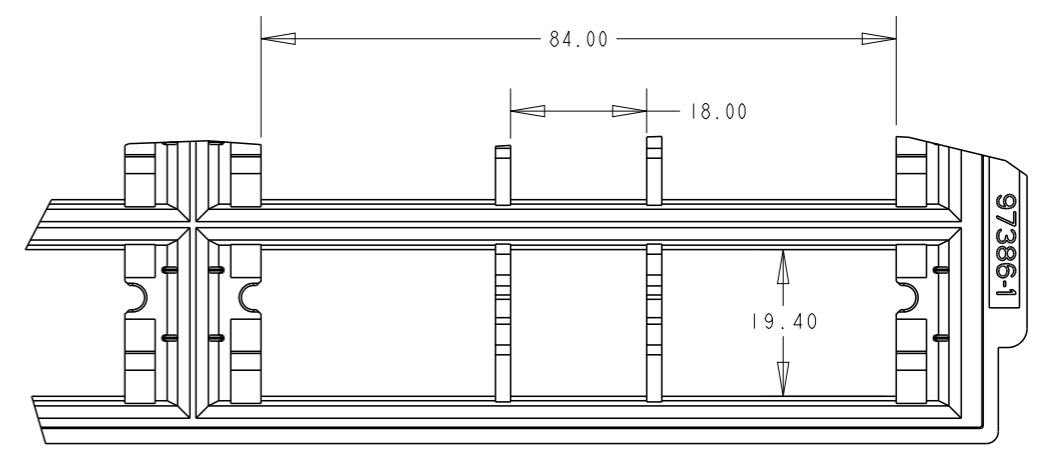
LOC	DIST	REVISIONS			
P	LTR	DESCRIPTION	DATE	DWN	APVD
DY	-	SEE SHEET 1	-	-	-



SCALE 1:5

Base of centre pocket is solid.

SEE DETAIL A



DETAIL A
SCALE 2:1

SECTION C-C

<small>THIS DRAWING IS A CONTROLLED DOCUMENT FOR AMP INCORPORATED. IT IS SUBJECT TO CHANGE AND THE CONTROLLING ENGINEERING ORGANIZATION SHOULD BE CONTACTED FOR THE LATEST REVISION.</small>		DWN WYLEE 18MAY2007 CHK YJ SEE APVD SF LEONG PRODUCT SPEC 108-51091 APPLICATION SPEC 114-51011 WEIGHT -	STE TE CONNECTIVITY Singapore NAME ASSEMBLY, MINIDIMM, R/A, LF 0.60mm PITCH, 244 CKTS, DDR2/3
DIMENSIONS: mm 	TOLERANCES UNLESS OTHERWISE SPECIFIED: 0 PLC ± 1 PLC ±0.25 2 PLC ±0.13 3 PLC ±0.10 4 PLC ± ANGLES ±1°	SIZE A3 CAGE CODE 00779 DRAWING NO ©-1735438	SCALE 1:1 SHEET 5 OF 5 REV B5
MATERIAL	FINISH	CUSTOMER DRAWING	

X-ON Electronics

Largest Supplier of Electrical and Electronic Components

Click to view similar products for [IC & Component Sockets](#) category:

Click to view products by [TE Connectivity](#) manufacturer:

Other Similar products are found below :

[714-43-102-31-012000](#) [0066-3-17-15-30-14-02-0](#) [0134-0-15-15-32-27-04-0](#) [614-DG5](#) [6527-0-00-15-00-00-03-0](#) [670](#) [672](#) [673](#) [712-93-120-41-001000](#) [714-93-104-31-018000](#) [8059-4G1-LF](#) [807-22-001-10-001101](#) [807-22-001-10-003101](#) [807-22-001-10-004101](#) [807-22-001-10-006101](#) [807-22-001-30-011101](#) [807-22-001-30-012101](#) [807-22-001-30-013101](#) [807-22-001-30-014101](#) [8-1437531-4](#) [8150-6P10](#) [833-93-034-10-001000](#) [835-43-014-10-001000](#) [851-41-006-10-001000](#) [851-43-008-20-001000](#) [851-43-014-20-001000](#) [851-93-006-20-001000](#) [851-93-010-20-001000](#) [853-43-020-10-001000](#) [86.010.0053.0](#) [116-43-306-41-003000](#) [116-43-308-41-007000](#) [116-87-308-41-007101](#) [PX-68LCC](#) [PX-84LCC](#) [121-13-318-41-001000](#) [121-13-320-41-001000](#) [121-13-308-41-001000](#) [123-43-314-41-801000](#) [123-43-420-41-001000](#) [123-43-636-41-001000](#) [123-87-320-41-001101](#) [122-13-316-41-001000](#) [123-13-624-41-001000](#) [123-43-306-41-001000](#) [123-43-322-41-801000](#) [123-43-428-41-001000](#) [123-43-624-41-001000](#) [12-3513-11](#) [123-91-320-41-001000](#)