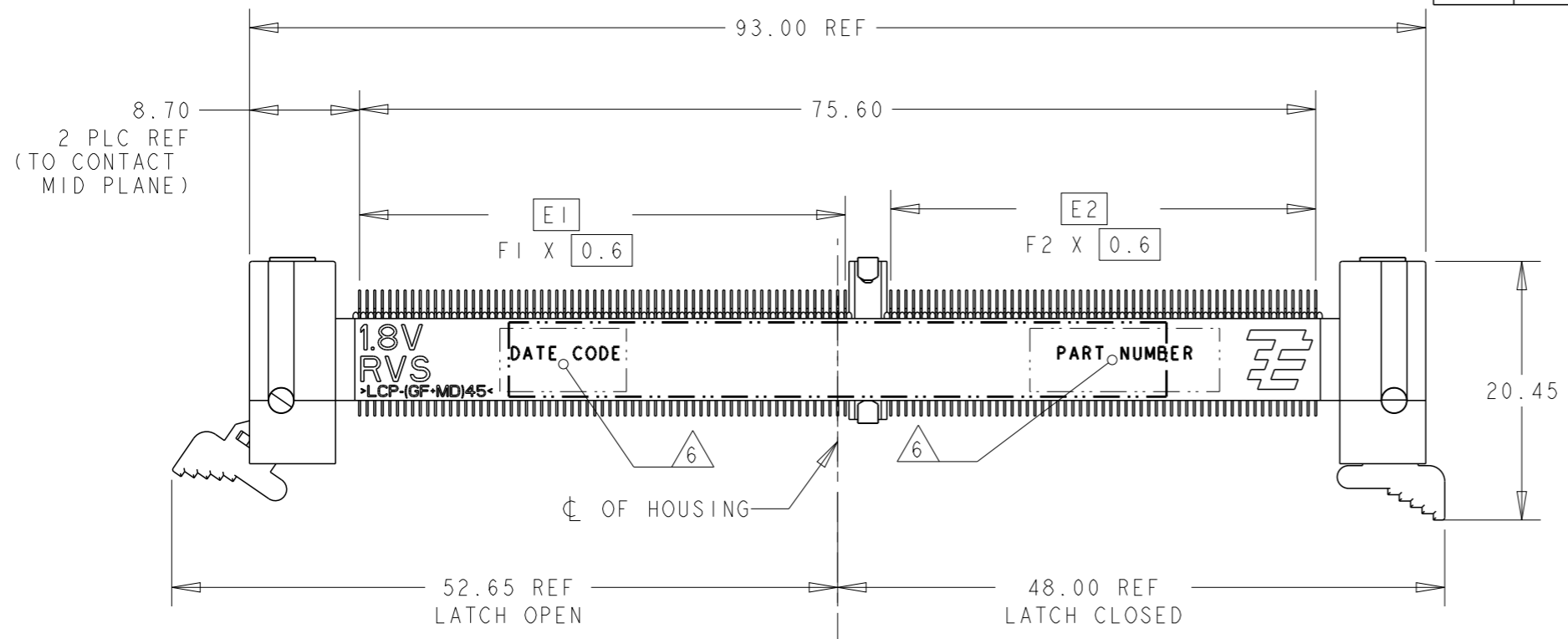


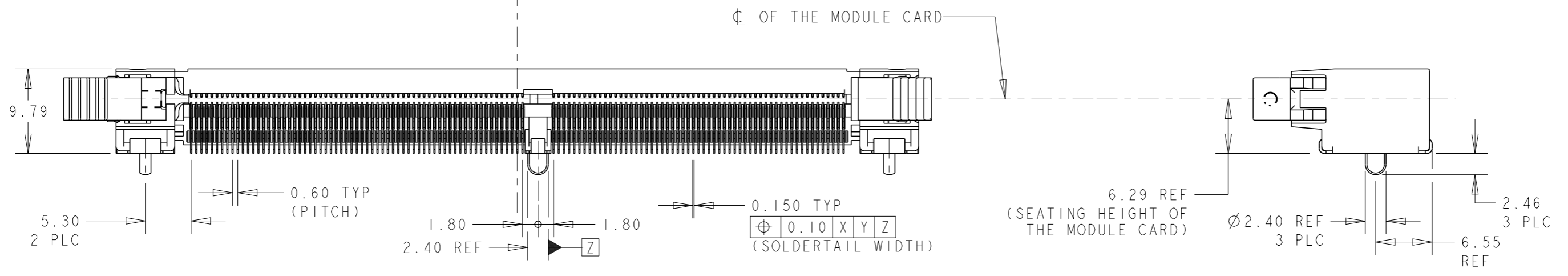
THIS DRAWING IS UNPUBLISHED. RELEASED FOR PUBLICATION .19 .
 © COPYRIGHT 19 BY AMP INCORPORATED. ALL RIGHTS RESERVED.

LOC: DY
 DIST: -

REVISIONS					
P	LTR	DESCRIPTION	DATE	DWN	APVD
	B5	REVISED PER ECR-11-022142	01NOV2011	SYJ	LSF



- 1 MATERIAL: HOUSING: HIGH TEMP LCP, BLACK, UL94V-0
 LATCHES: HIGH TEMP LCP, NATURAL, UL94V-0
 CONTACTS: COPPER ALLOY
 SOLDERPEGS: COPPER ALLOY
- 2 FINISH: ENGAGEMENT AREAS: 0.76µm MIN GOLD OVER
 1.25µm MIN NICKEL
 SOLDER TAILS: 0.02µm MIN GOLD OVER
 1.25µm MIN NICKEL
- 3 FINISH: ENGAGEMENT AREAS: 0.38µm MIN GOLD OVER
 1.25µm MIN NICKEL
 SOLDER TAILS: 0.02µm MIN GOLD OVER
 1.25µm MIN NICKEL
- 4 ACCEPTS 1.0mm THICK MEMORY MODULE, PER JEDEC MO-244,
 WITH BEVELS (FOR INSERTION LEAD-IN) REQUIRED.
- 5 PRODUCT SHALL BE PACKED IN JEDEC HARD TRAY (BLACK).
- 6 PART NUMBER AND DATE CODE SHALL BE MARKED LEGIBLY
 AS SHOWN. DATE CODE FORMAT: YYWW.



64	56	38.4	33.6	45.5	40.7	DDR3 (AB/BB/CB) ; STD	1.5V	3	1- -4
64	56	38.4	33.6	45.5	40.7	DDR2 (AA/BA/CA) ; STD	1.8V	3	1- -3
56	64	33.6	38.4	40.7	45.5	DDR3 (AB/BB/CB) ; RVS	1.5V	3	1- -2
56	64	33.6	38.4	40.7	45.5	DDR2 (AA/BA/CA) ; RVS	1.8V	3	1- -1
64	56	38.4	33.6	45.5	40.7	DDR3 (AB/BB/CB) ; STD	1.5V	2	-4
64	56	38.4	33.6	45.5	40.7	DDR2 (AA/BA/CA) ; STD	1.8V	2	-3
56	64	33.6	38.4	40.7	45.5	DDR3 (AB/BB/CB) ; RVS	1.5V	2	-2
56	64	33.6	38.4	40.7	45.5	DDR2 (AA/BA/CA) ; RVS	1.8V	2	-1
F2	F1	E2	E1	B2	B1	VARIATION ; ORIENTATION MODULE	VOLTAGE MARKING	CONTACT FINISH	P/N

THIS DRAWING IS A CONTROLLED DOCUMENT FOR AMP INCORPORATED. IT IS SUBJECT TO CHANGE AND THE CONTROLLING ENGINEERING ORGANIZATION SHOULD BE CONTACTED FOR THE LATEST REVISION.

DIMENSIONS: mm	TOLERANCES UNLESS OTHERWISE SPECIFIED: 0 PLC ±.25 1 PLC ±0.25 2 PLC ±0.13 3 PLC ±0.10 4 PLC ±. ANGLES ±1°	DWN WYLEE 18MAY2007 CHK YJ SEE APVD SF LEONG PRODUCT SPEC 108-51091 APPLICATION SPEC 114-51011 WEIGHT -	TE CONNECTIVITY Singapore
MATERIAL 1	FINISH SEE P/N TABLE	NAME ASSEMBLY, MINIDIMM, R/A, LF 0.60mm PITCH, 244 CKTS, DDR2/3	SIZE A3 CAGE CODE 00779 DRAWING NO C-1735438
CUSTOMER DRAWING		SCALE 1:1 SHEET 1 OF 5	REV B5

P/N -1 AS SHOWN

THIS DRAWING IS UNPUBLISHED.

RELEASED FOR PUBLICATION

.19

© COPYRIGHT 19

BY AMP INCORPORATED.

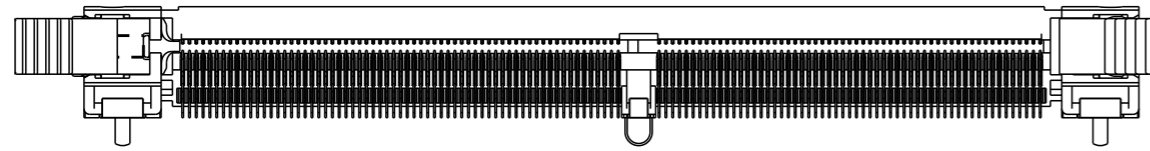
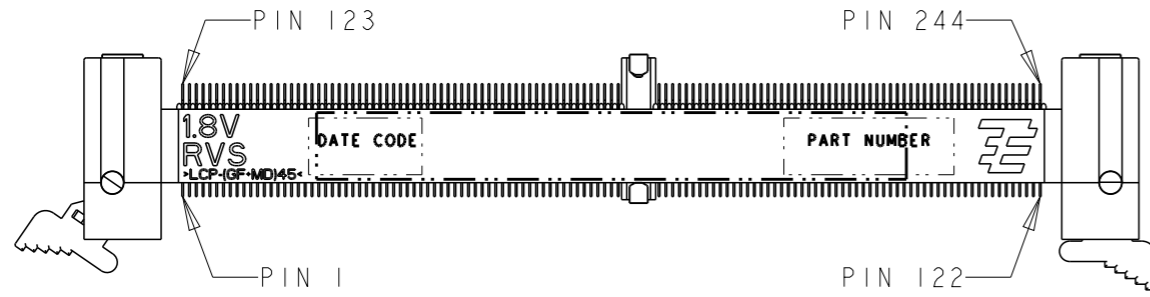
ALL RIGHTS RESERVED.

LOC
DY

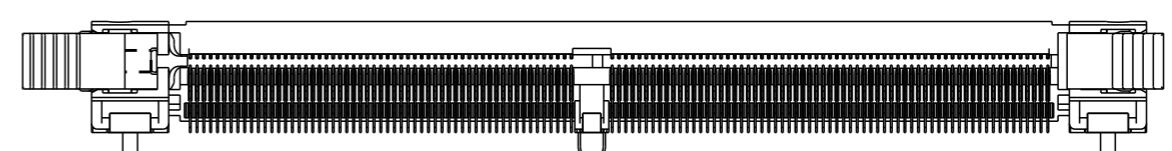
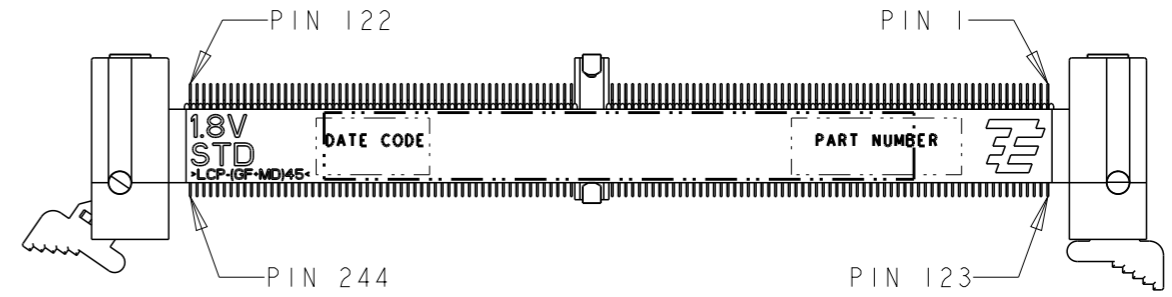
DIST
-

REVISIONS

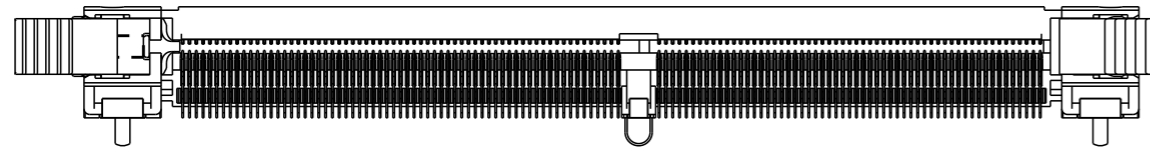
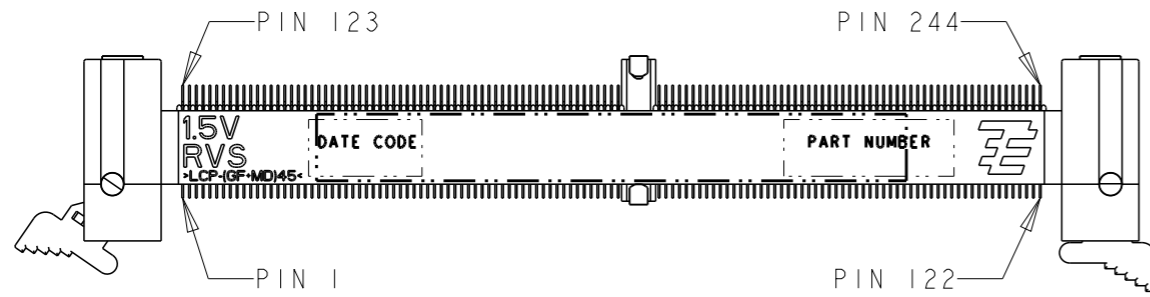
P	LTR	DESCRIPTION	DATE	DWN	APVD
-	-	SEE SHEET 1	-	-	-



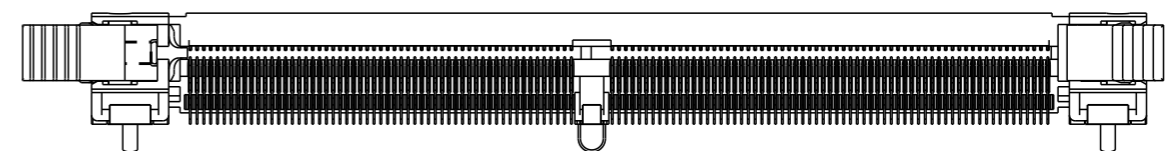
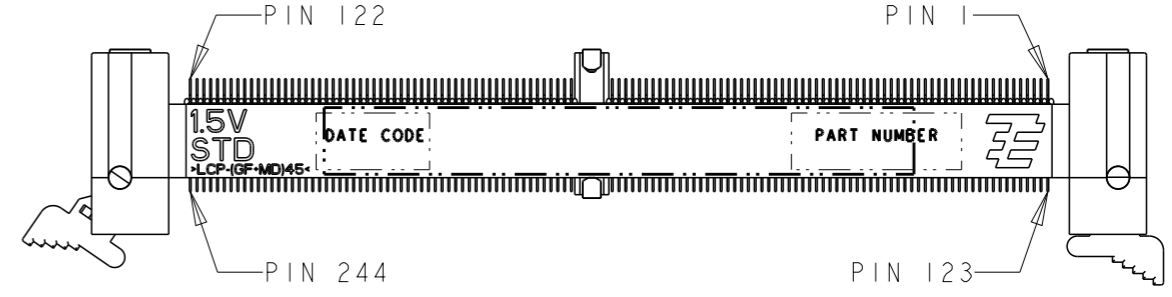
P/N X- -1
(1.8V RVS)
SCALE 3:2



P/N X- -3
(1.8V STD)
SCALE 3:2



P/N X- -2
(1.5V RVS)
SCALE 3:2

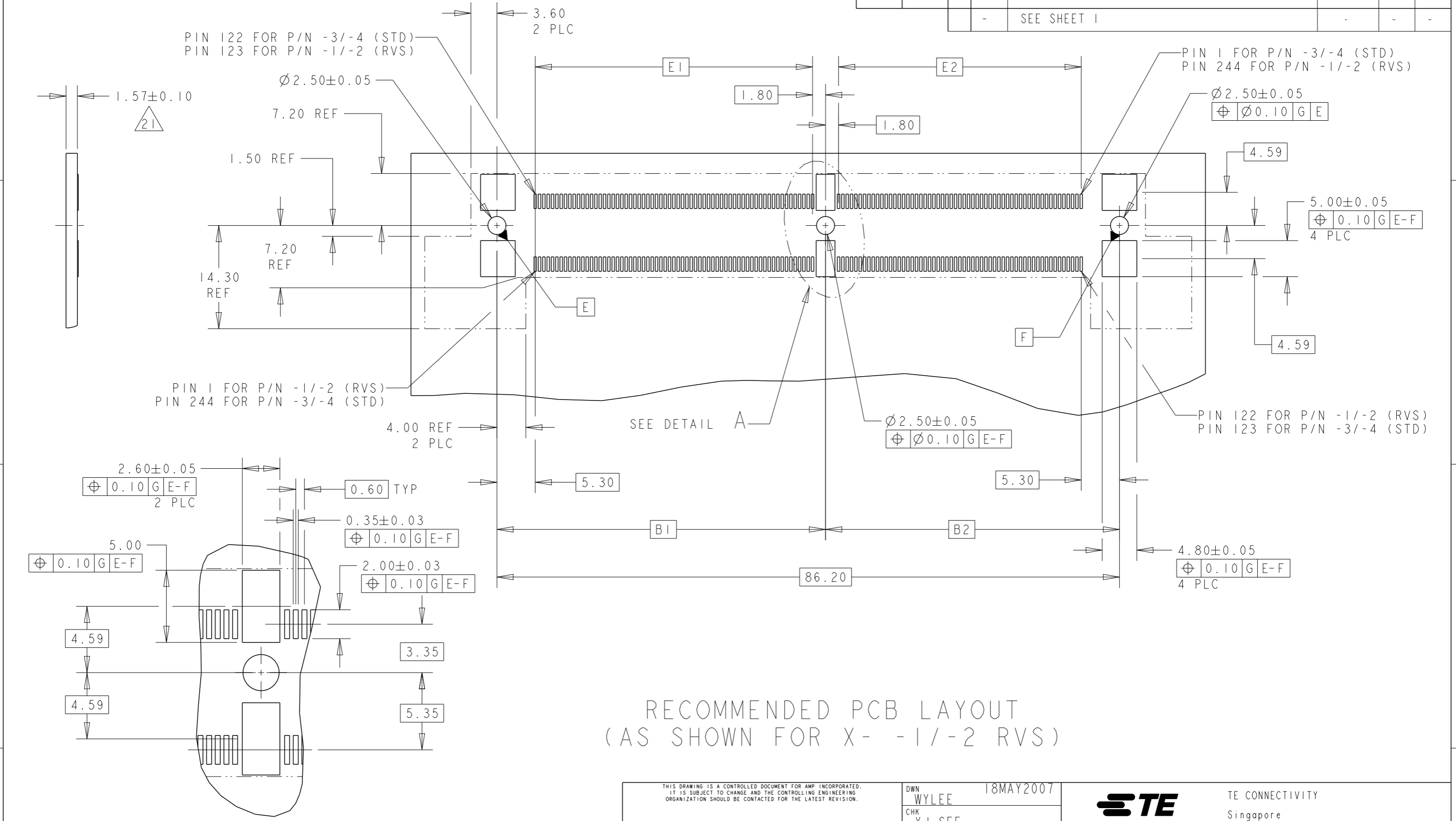


P/N X- -4
(1.5V STD)
SCALE 3:2

THIS DRAWING IS A CONTROLLED DOCUMENT FOR AMP INCORPORATED. IT IS SUBJECT TO CHANGE AND THE CONTROLLING ENGINEERING ORGANIZATION SHOULD BE CONTACTED FOR THE LATEST REVISION.		DWN 18MAY2007 WYLEE CHK YJ SEE APVD SF LEONG PRODUCT SPEC 108-51091 APPLICATION SPEC 114-51011 WEIGHT - CUSTOMER DRAWING	STE TE CONNECTIVITY Singapore NAME ASSEMBLY, MINIDIMM, R/A, LF 0.60mm PITCH, 244 CKTS, DDR2/3 SIZE A3 CAGE CODE 00779 DRAWING NO C-1735438 SCALE 3:2 SHEET 2 OF 5 REV B5
DIMENSIONS: mm 	TOLERANCES UNLESS OTHERWISE SPECIFIED: 0 PLC ± 1 PLC ±0.25 2 PLC ±0.13 3 PLC ±0.10 4 PLC ± ANGLES ±1°	MATERIAL 	FINISH SEE P/N TABLE

THIS DRAWING IS UNPUBLISHED. RELEASED FOR PUBLICATION .19
 © COPYRIGHT 19 BY AMP INCORPORATED. ALL RIGHTS RESERVED.

LOC	DIST	REVISIONS					
DY	-	P	LTR	DESCRIPTION	DATE	DWN	APVD
		-		SEE SHEET 1			



RECOMMENDED PCB LAYOUT
 (AS SHOWN FOR X- -1/-2 RVS)

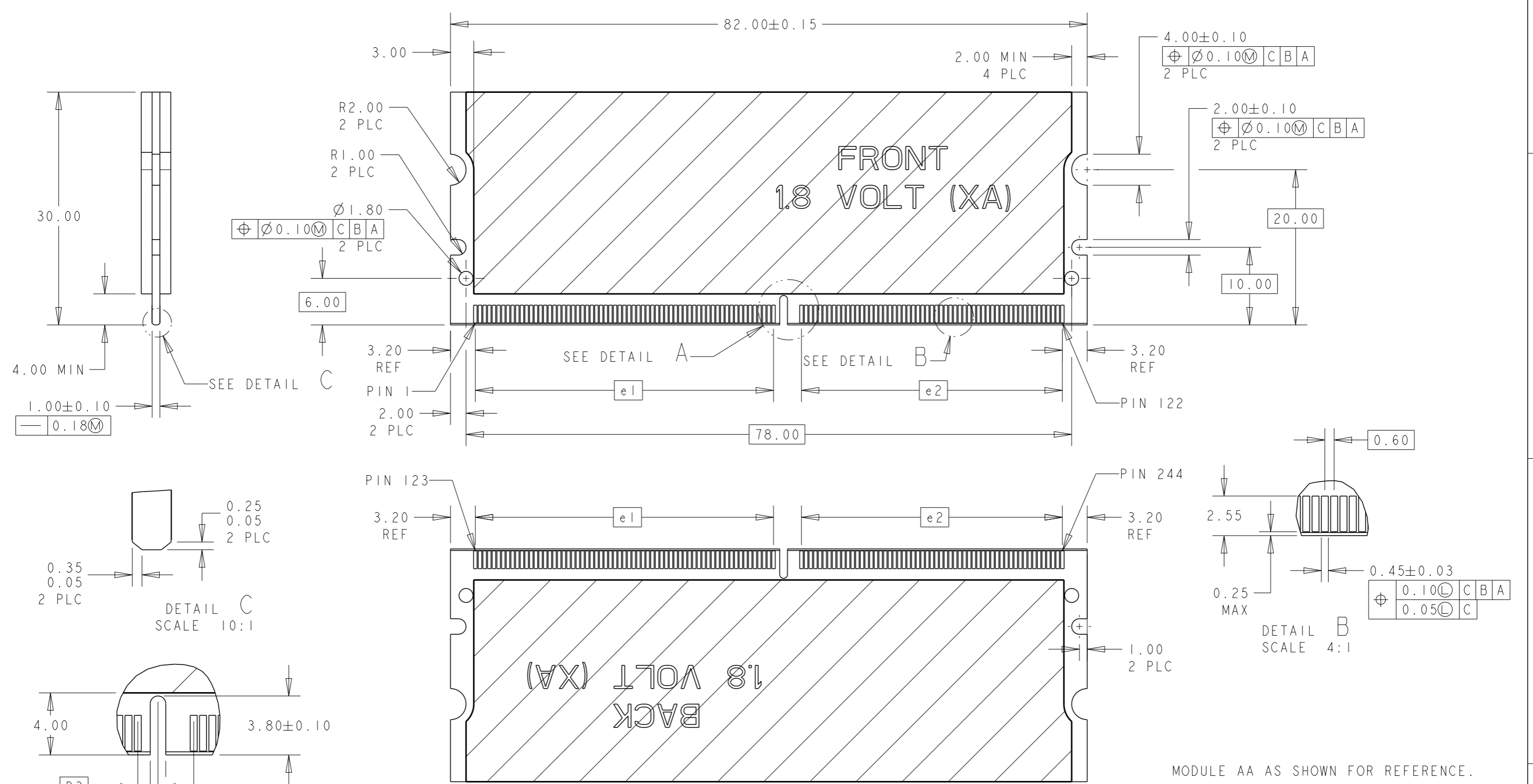
DETAIL A
 SCALE 4:1

NOTES:
 21 PCB THICKNESS IS NOT PART OF THE RECOMMENDED DIMENSIONS FOR THIS PRODUCT. THE DESIGN OF THIS CONNECTOR IS NOT DEPENDENT ON THE PCB THICKNESS.

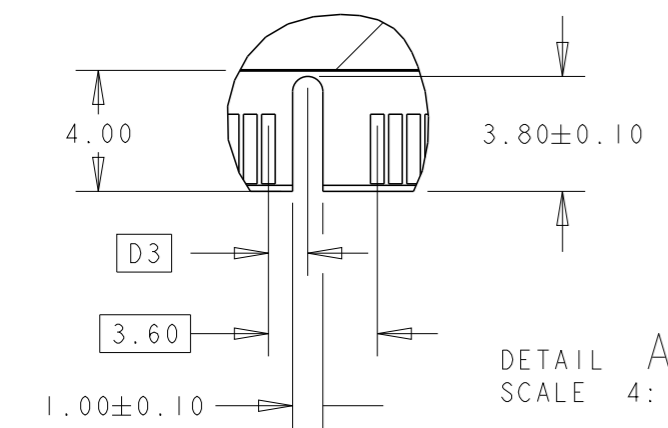
THIS DRAWING IS A CONTROLLED DOCUMENT FOR AMP INCORPORATED. IT IS SUBJECT TO CHANGE AND THE CONTROLLING ENGINEERING ORGANIZATION SHOULD BE CONTACTED FOR THE LATEST REVISION.		DWN WYLEE	18MAY2007	STE	TE CONNECTIVITY Singapore	
DIMENSIONS: mm		CHK YJ SEE	APVD SF LEONG		NAME ASSEMBLY, MINIDIMM, R/A, LF 0.60mm PITCH, 244 CKTS, DDR2/3	
TOLERANCES UNLESS OTHERWISE SPECIFIED: 0 PLC ±.25 1 PLC ±0.25 2 PLC ±0.13 3 PLC ±0.10 4 PLC ±.10 ANGLES ±1°		PRODUCT SPEC 108-51091		DRAWING NO C-1735438		
MATERIAL		APPLICATION SPEC 114-51011		SIZE A3	CAGE CODE 00779	SCALE 2:1
FINISH		WEIGHT -		SHEET 3 OF 5		REV B5
CUSTOMER DRAWING				SCALE 2:1		

THIS DRAWING IS UNPUBLISHED. RELEASED FOR PUBLICATION .19 .
 BY AMP INCORPORATED. ALL RIGHTS RESERVED.

LOC DY	DIST -	REVISIONS		
P	LTR	DESCRIPTION	DATE	DWN
-	-	SEE SHEET 1	-	-



MODULE AA AS SHOWN FOR REFERENCE.



THIS DRAWING IS A CONTROLLED DOCUMENT FOR AMP INCORPORATED. IT IS SUBJECT TO CHANGE AND THE CONTROLLING ENGINEERING ORGANIZATION SHOULD BE CONTACTED FOR THE LATEST REVISION.

DIMENSIONS: mm	TOLERANCES UNLESS OTHERWISE SPECIFIED:
0 PLC	±
1 PLC	±0.25
2 PLC	±0.13
3 PLC	±0.10
4 PLC	±
ANGLES	±1°
MATERIAL	FINISH

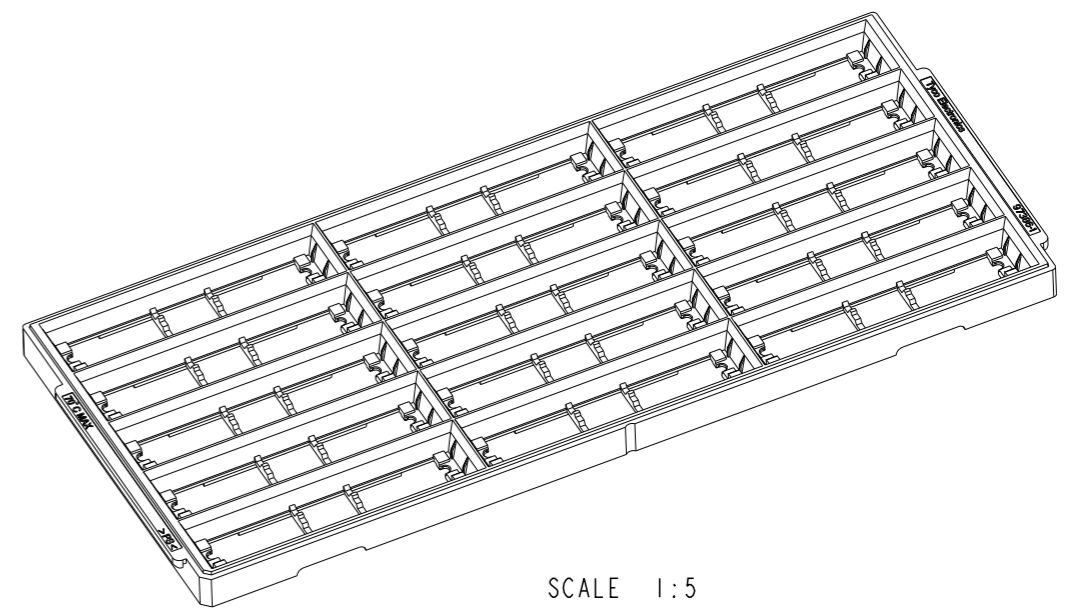
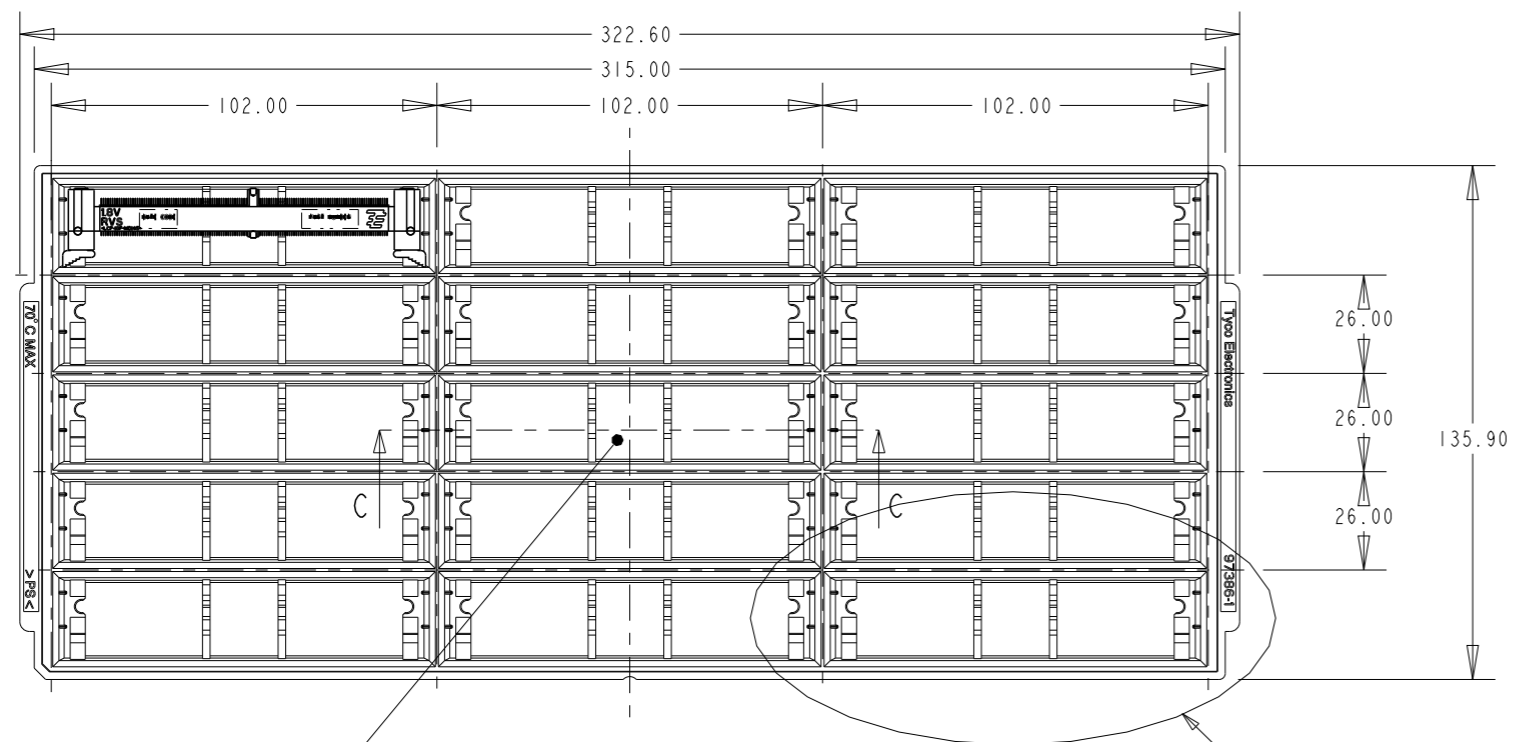
DWN WYLEE	18MAY2007
CHK YJ SEE	
APVD SF LEONG	
PRODUCT SPEC	108-51091
APPLICATION SPEC	114-51011
WEIGHT	-
CUSTOMER DRAWING	

STE TE CONNECTIVITY Singapore	
NAME ASSEMBLY, MINIDIMM, R/A, LF 0.60mm PITCH, 244 CKTS, DDR2/3	
SIZE A3	CAGE CODE 00779
DRAWING NO C=1735438	
SCALE 1:1	SHEET 4 OF 5
REV B5	

FOR P/N X- -2 AND X- -4.	2.3	33.6	38.4	1.5V	AB/BB/CB
FOR P/N X- -1 AND X- -3.	1.3	33.6	38.4	1.8V	AA/BA/CA
REMARKS	D3	e2	e1	VOLTAGE MARKING	MODULE VARIATION

THIS DRAWING IS UNPUBLISHED. RELEASED FOR PUBLICATION .19 .
 © COPYRIGHT 19 BY AMP INCORPORATED. ALL RIGHTS RESERVED.

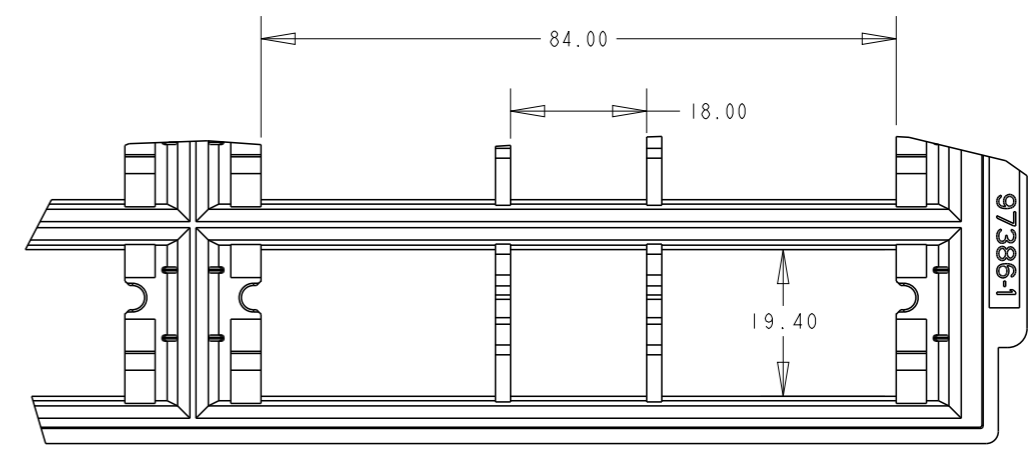
LOC	DIST	REVISIONS			
P	LTR	DESCRIPTION	DATE	DWN	APVD
DY	-	SEE SHEET 1	-	-	-



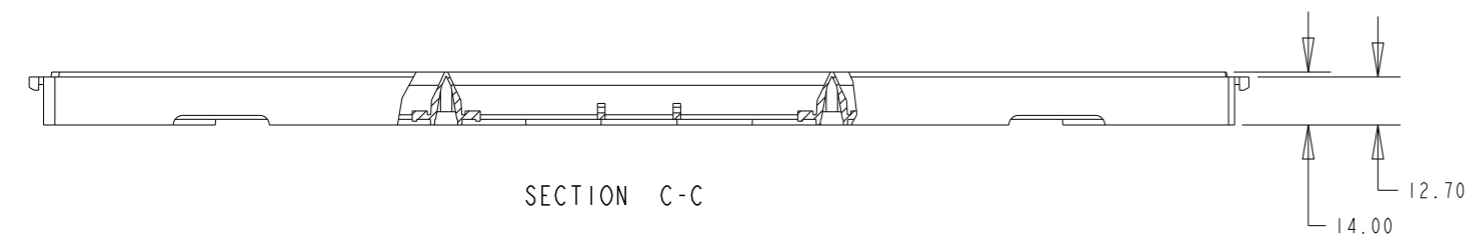
SCALE 1:5

Base of centre pocket is solid.

SEE DETAIL A



DETAIL A
SCALE 2:1



SECTION C-C

<small>THIS DRAWING IS A CONTROLLED DOCUMENT FOR AMP INCORPORATED. IT IS SUBJECT TO CHANGE AND THE CONTROLLING ENGINEERING ORGANIZATION SHOULD BE CONTACTED FOR THE LATEST REVISION.</small>		DWN WYLEE 18MAY2007 CHK YJ SEE APVD SF LEONG PRODUCT SPEC 108-51091 APPLICATION SPEC 114-51011 WEIGHT -	STE TE CONNECTIVITY Singapore NAME ASSEMBLY, MINIDIMM, R/A, LF 0.60mm PITCH, 244 CKTS, DDR2/3
DIMENSIONS: mm 	TOLERANCES UNLESS OTHERWISE SPECIFIED: 0 PLC ± 1 PLC ±0.25 2 PLC ±0.13 3 PLC ±0.10 4 PLC ± ANGLES ±1°	SIZE A3 CAGE CODE 00779 DRAWING NO ©-1735438	SCALE 1:1 SHEET 5 OF 5 REV B5
MATERIAL	FINISH	CUSTOMER DRAWING	

X-ON Electronics

Largest Supplier of Electrical and Electronic Components

Click to view similar products for [DIMM Connectors](#) category:

Click to view products by [TE Connectivity](#) manufacturer:

Other Similar products are found below :

[1-1932649-2](#) [1-1761024-0](#) [2309411-5](#) [10116658-252ASLF](#) [5390471-1](#) [2309413-3](#) [78507-0061](#) [KIT-SODIMM-1X16GB/01](#) [10129206-0010013LF](#) [10086891-052TSLF](#) [10079192-11102LF](#) [10116658-152FSLF](#) [10129206-0011113LF](#) [1-2308107-0](#) [2013310-1](#) [2013289-1](#) [390111-1](#) [390112-1](#) [2309413-1](#) [2309407-1](#) [2309414-1](#) [10081530-12208LF](#) [151080-0001](#) [78726-1004](#) [10005639-11107LF](#) [10005639-11109LF](#) [10005639-12207LF](#) [10023061-10207LF](#) [10033853-252FSLF](#) [10033853-052ASLF](#) [10033853-052FSLF](#) [10033853-152FSLF](#) [10033854-052FSLF](#) [10034542-10002LF](#) [10037402-12207LF](#) [10081530-11107LF](#) [10081530-12207LF](#) [10081530-12218LF](#) [10081530-12228LF](#) [10124632-0030001LF](#) [10124806-01006LF](#) [10145226-0241N13LF](#) [59354-052FSLF](#) [59355-052FSLF](#) [DDR4288S0211TF](#) [DDR4288S0511H](#) [DDR4288S0511TF](#) [DDR4288V0123TF](#) [DDR4288V0213TF](#) [DDR502112001K](#)