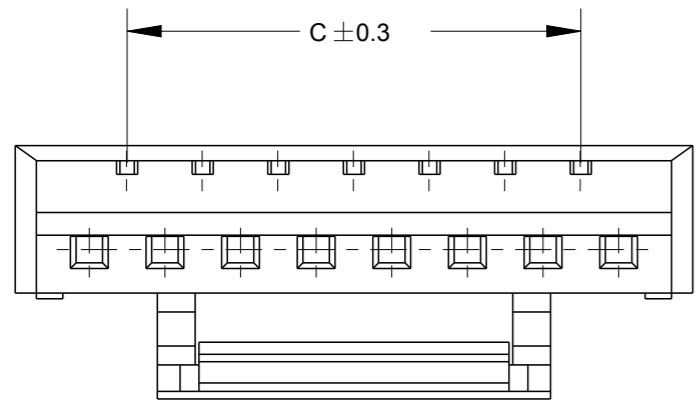
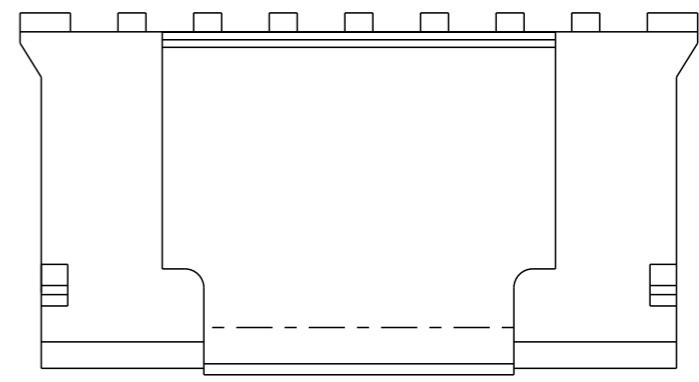
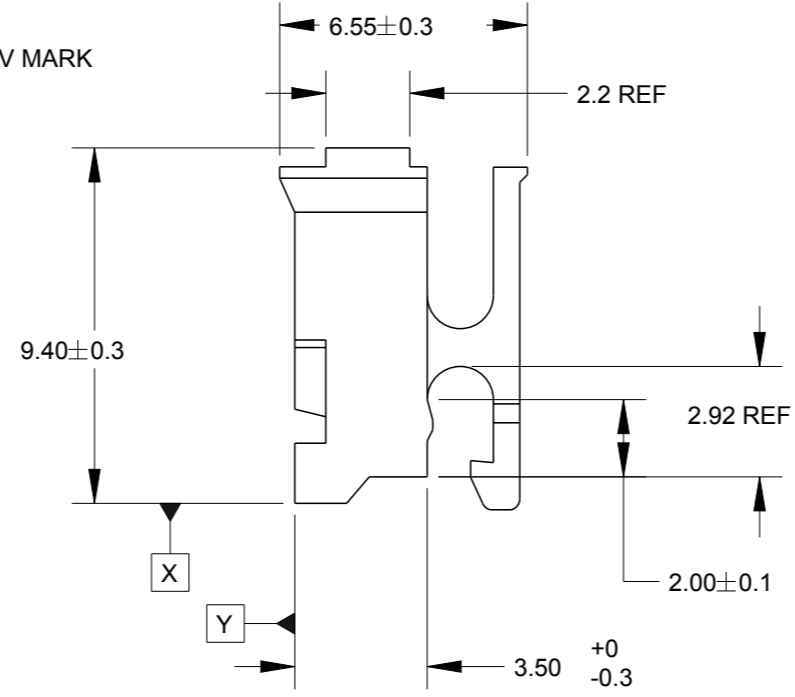
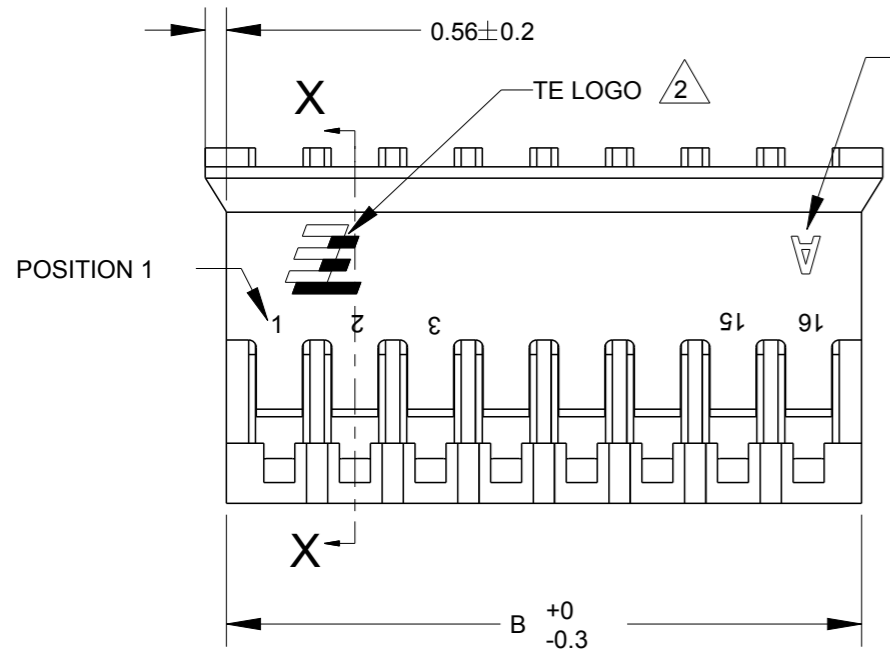
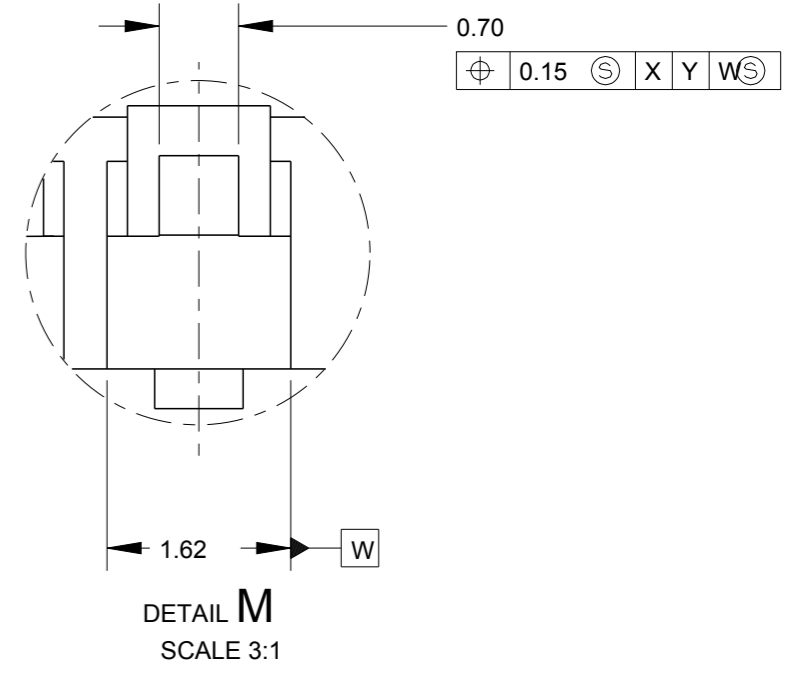
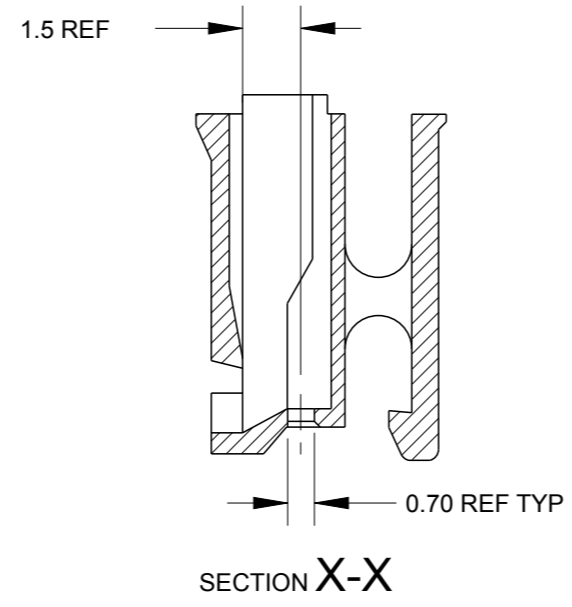
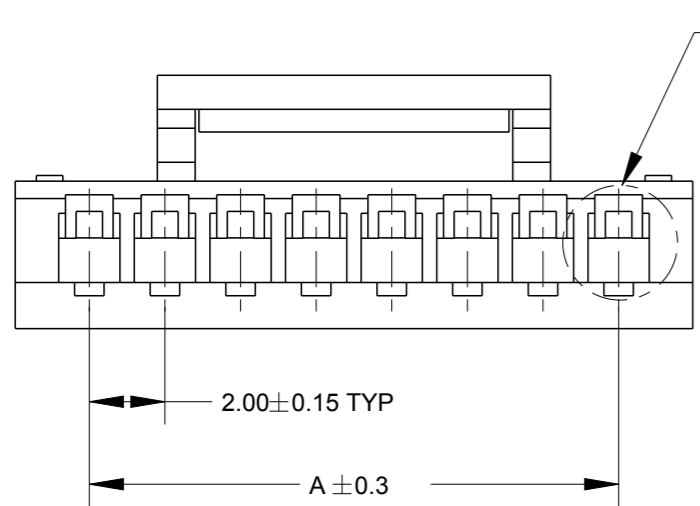


THIS DRAWING IS UNPUBLISHED. RELEASED FOR PUBLICATION

© COPYRIGHT BY TYCO ELECTRONICS CORPORATION. ALL RIGHTS RESERVED.

LOC	DIST	REVISIONS			
P	LTR	DESCRIPTION	DATE	DWN	APVD
DY	-	F2	REVISED PER ECR-13-019056	09DEC13	S.C. W.K.

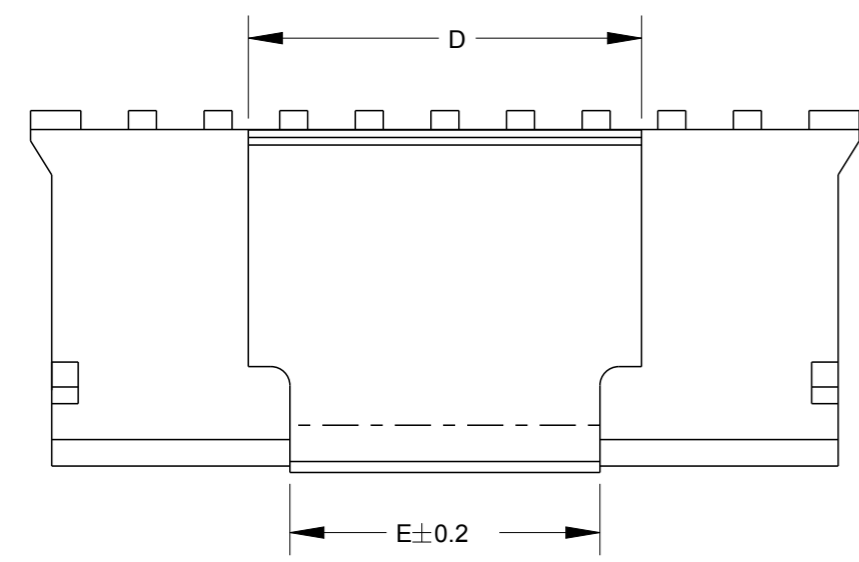
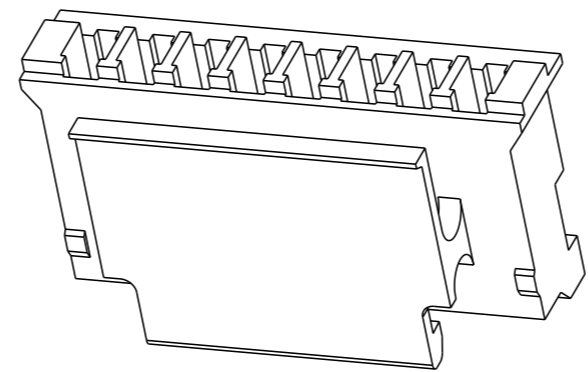
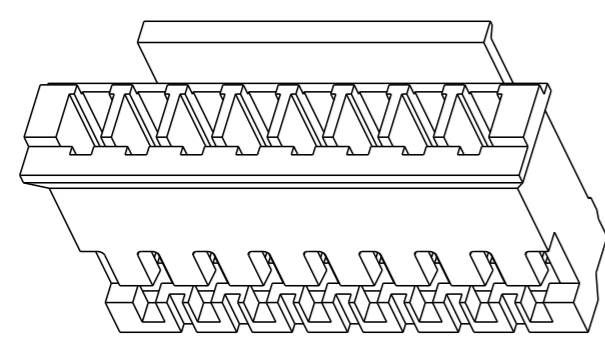


<small>THIS DRAWING IS A CONTROLLED DOCUMENT FOR TYCO ELECTRONICS CORPORATION IT IS SUBJECT TO CHANGE AND THE CONTROLLING ENGINEERING ORGANIZATION SHOULD BE CONTACTED FOR THE LATEST REVISION.</small>		DWN WYLEE 01JUNE2007 CHK KT GOH 01JUNE2007 APVD SF LEONG 01JUNE2007			
DIMENSIONS: mm 		TOLERANCES UNLESS OTHERWISE SPECIFIED: 0 PLC ±- 1 PLC ±- 2 PLC ±- 3 PLC ±- 4 PLC ±- ANGLES ±- FINISH -		NAME HPI 2.0 RECEPTACLE HOUSING WITH LATCH PRODUCT SPEC 108-51087 APPLICATION SPEC - WEIGHT -	
MATERIAL 1 		CUSTOMER DRAWING		SIZE A3 CAGE CODE 00779 DRAWING NO 1735447	RESTRICTED TO SCALE 5:1 SHEET 1 OF 2 REV F2

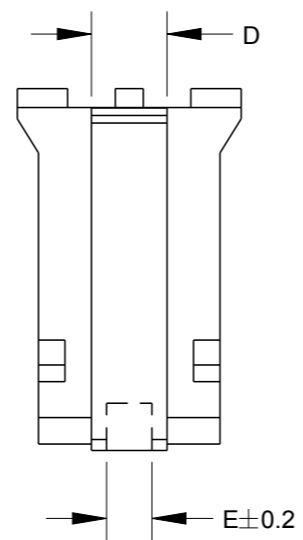
THIS DRAWING IS UNPUBLISHED. RELEASED FOR PUBLICATION
 © COPYRIGHT BY TYCO ELECTRONICS CORPORATION. ALL RIGHTS RESERVED.

LOC	DIST	REVISIONS				
P	LTR	DESCRIPTION	DATE	DWN	APVD	
DY	-	SEE SHEET 1				

- NOTES:
- 1 MATERIAL: THERMOPLASTIC, UL94V-0,
 - 2 TE LOGO LOCATED AT APPROXIMATE LOCATION AS SHOWN
 - 3. SUITABLE TE CONTACT: 1735801-1 APPLICABLE WIRE SIZE #24~#30 ONLY



5~16P



3~4P

COLOUR	E	D	C	B	A	POS	PART NUMBER
BLACK	8.2	10.4±0.2	28.00	32.80	30.00	16P	3-1735447-6
	8.2	10.4±0.2	26.00	30.80	28.00	15P	3-1735447-5
	8.2	10.4±0.2	24.00	28.80	26.00	14P	3-1735447-4
	8.2	10.4±0.2	22.00	26.80	24.00	13P	3-1735447-3
	8.2	10.4±0.2	20.00	24.80	22.00	12P	3-1735447-2
	8.2	10.4±0.2	18.00	22.80	20.00	11P	3-1735447-1
	8.2	10.4±0.2	16.00	20.80	18.00	10P	3-1735447-0
	8.2	10.4±0.2	14.00	18.80	16.00	9P	2-1735447-9
	8.2	10.4±0.2	12.00	16.80	14.00	8P	2-1735447-8
	7.3	9.5±0.2	10.00	14.80	12.00	7P	2-1735447-7
	5.3	7.5±0.2	8.00	12.80	10.00	6P	2-1735447-6
	3.3	5.5±0.2	6.00	10.80	8.00	5P	2-1735447-5
	1.3	3.5±0.2	4.00	8.80	6.00	4P	2-1735447-4
1.0	1.8 ^{+0.08} _{-0.2}	2.00	6.80	4.00	3P	2-1735447-3	
NATURAL	8.2	10.4±0.2	28.00	32.80	30.00	16P	1-1735447-6
	8.2	10.4±0.2	26.00	30.80	28.00	15P	1-1735447-5
	8.2	10.4±0.2	24.00	28.80	26.00	14P	1-1735447-4
	8.2	10.4±0.2	22.00	26.80	24.00	13P	1-1735447-3
	8.2	10.4±0.2	20.00	24.80	22.00	12P	1-1735447-2
	8.2	10.4±0.2	18.00	22.80	20.00	11P	1-1735447-1
	8.2	10.4±0.2	16.00	20.80	18.00	10P	1-1735447-0
	8.2	10.4±0.2	14.00	18.80	16.00	9P	1735447-9
	8.2	10.4±0.2	12.00	16.80	14.00	8P	1735447-8
	7.3	9.5±0.2	10.00	14.80	12.00	7P	1735447-7
	5.3	7.5±0.2	8.00	12.80	10.00	6P	1735447-6
	3.3	5.5±0.2	6.00	10.80	8.00	5P	1735447-5
	1.3	3.5±0.2	4.00	8.80	6.00	4P	1735447-4
1.0	1.8 ^{+0.08} _{-0.2}	2.00	6.80	4.00	3P	1735447-3	

THIS DRAWING IS A CONTROLLED DOCUMENT FOR TYCO ELECTRONICS CORPORATION IT IS SUBJECT TO CHANGE AND THE CONTROLLING ENGINEERING ORGANIZATION SHOULD BE CONTACTED FOR THE LATEST REVISION.

DIMENSIONS: mm

TOLERANCES UNLESS OTHERWISE SPECIFIED:

0 PLC	±
1 PLC	±
2 PLC	±
3 PLC	±
4 PLC	±
ANGLES	±
FINISH	-

MATERIAL: 1

DWN WYLEE 01JUNE2007
 CHK KT GOH 01JUNE2007
 APVD SFLEONG 01JUNE2007

TE Connectivity

NAME: HPI 2.0 RECEPTACLE HOUSING WITH LATCH

PRODUCT SPEC: 108-51087

APPLICATION SPEC: -

WEIGHT: -

SIZE: A3 CAGE CODE: 00779 DRAWING NO: 1735447 RESTRICTED TO: -

CUSTOMER DRAWING SCALE: 5:1 SHEET: 2 OF 2 REV: F2

X-ON Electronics

Largest Supplier of Electrical and Electronic Components

Click to view similar products for [Headers & Wire Housings](#) category:

Click to view products by [TE Connectivity](#) manufacturer:

Other Similar products are found below :

[95000-104TRLF](#) [10135584-644402LF](#) [DF62W-EP2022PCA](#) [95000-106TRLF](#) [DF62W-2022SCA](#) [DF62W-EP2022PC](#) [2203348](#) [DF62W-2022SC](#) [1084018](#) [1029039](#) [1084017](#) [802-10-012-10-002000](#) [1112640](#) [1112639](#) [000-34000](#) [0009482033](#) [0009507031](#) [57102-S06-03LF](#) [57202-S52-04LF](#) [PCN6-15S-2.5E](#) [0039019024](#) [58102-G61-06LF](#) [582553-1](#) [0009508121](#) [0050291907](#) [018731A](#) [LY20-4P-DT1-P1E-BR](#) [02.125.8002.8](#) [60101931](#) [60598-1 \(Cut Strip\)](#) [M1625-3R/100](#) [61062-3](#) [61082-181009](#) [636-1427](#) [638009-1](#) [641938-9](#) [641991-4](#) [644168-1](#) [647662-1](#) [65039-019ELF](#) [65817-002LF](#) [65817-015LF](#) [65863-015LF](#) [66207-023LF](#) [67016-026LF](#) [67046-001LF](#) [67095-007LF](#) [68002-116](#) [68016-236H](#) [68648-049](#)