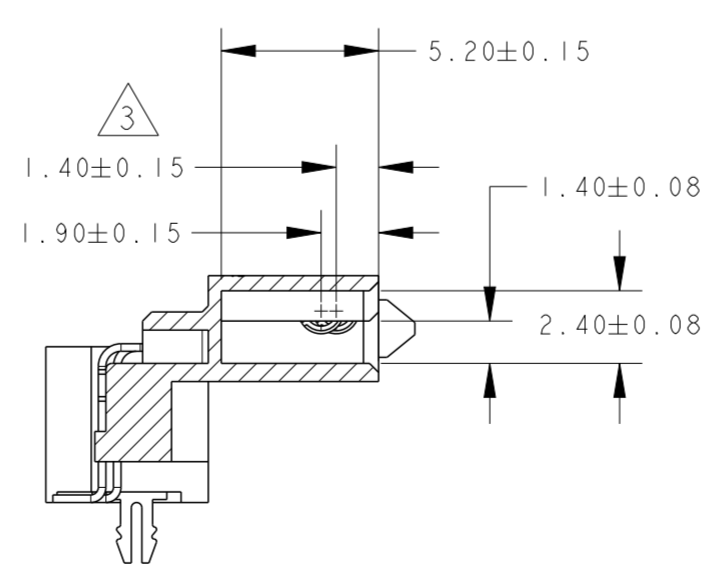
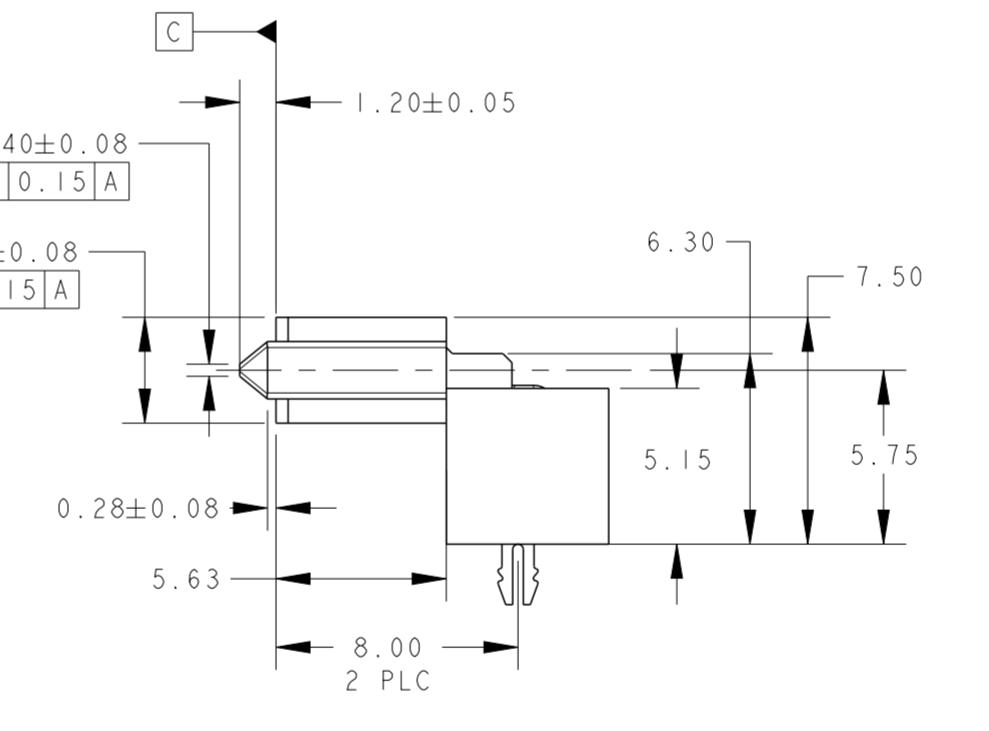
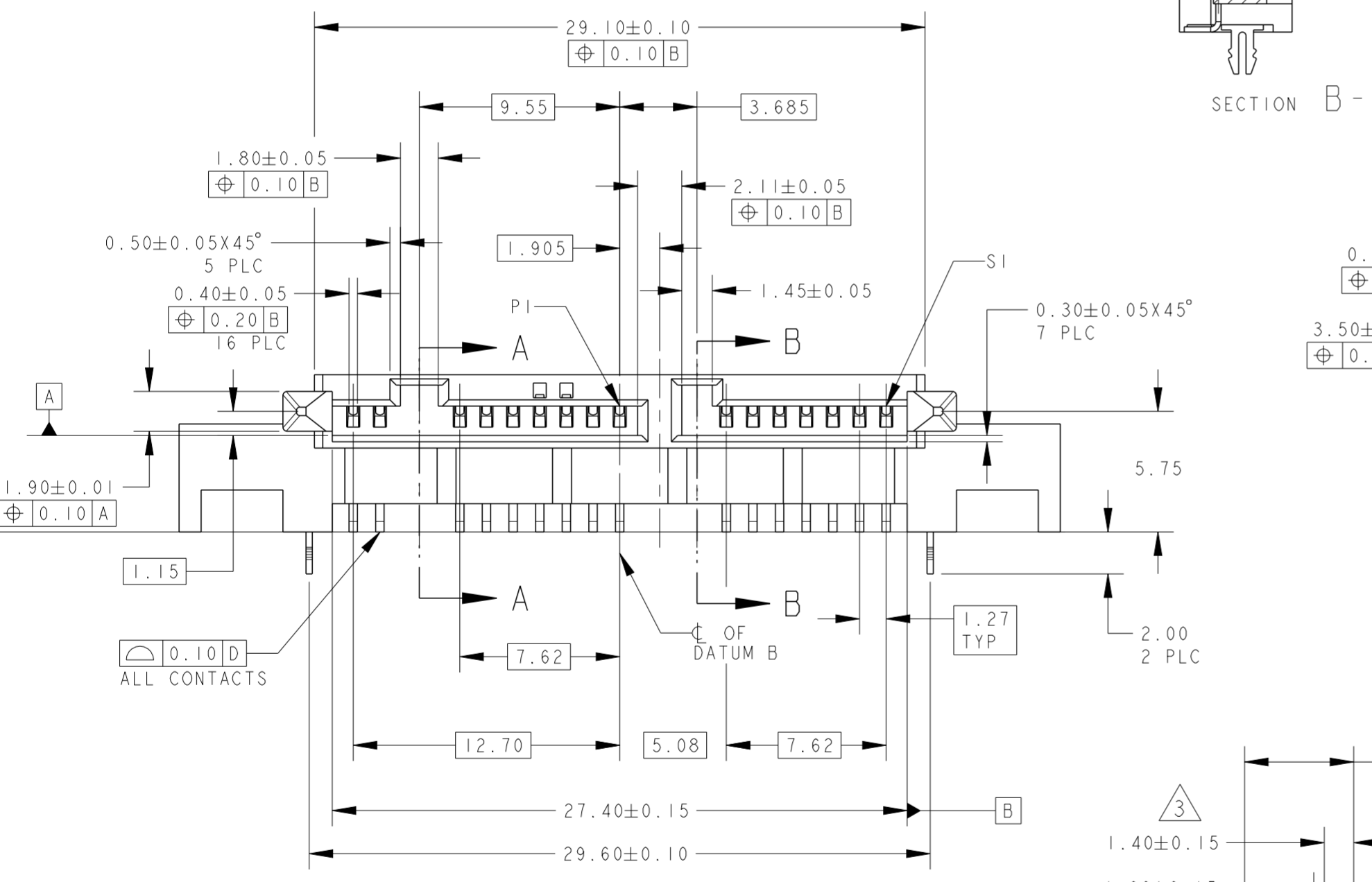
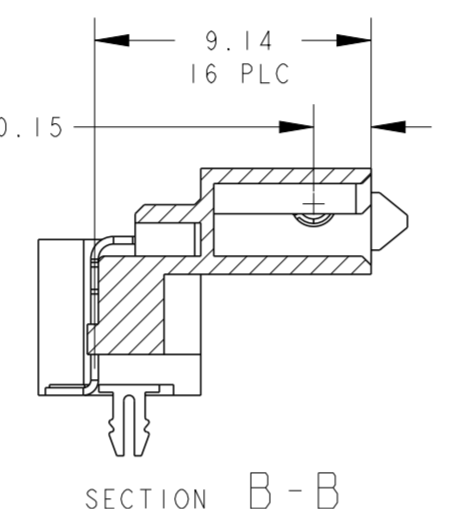
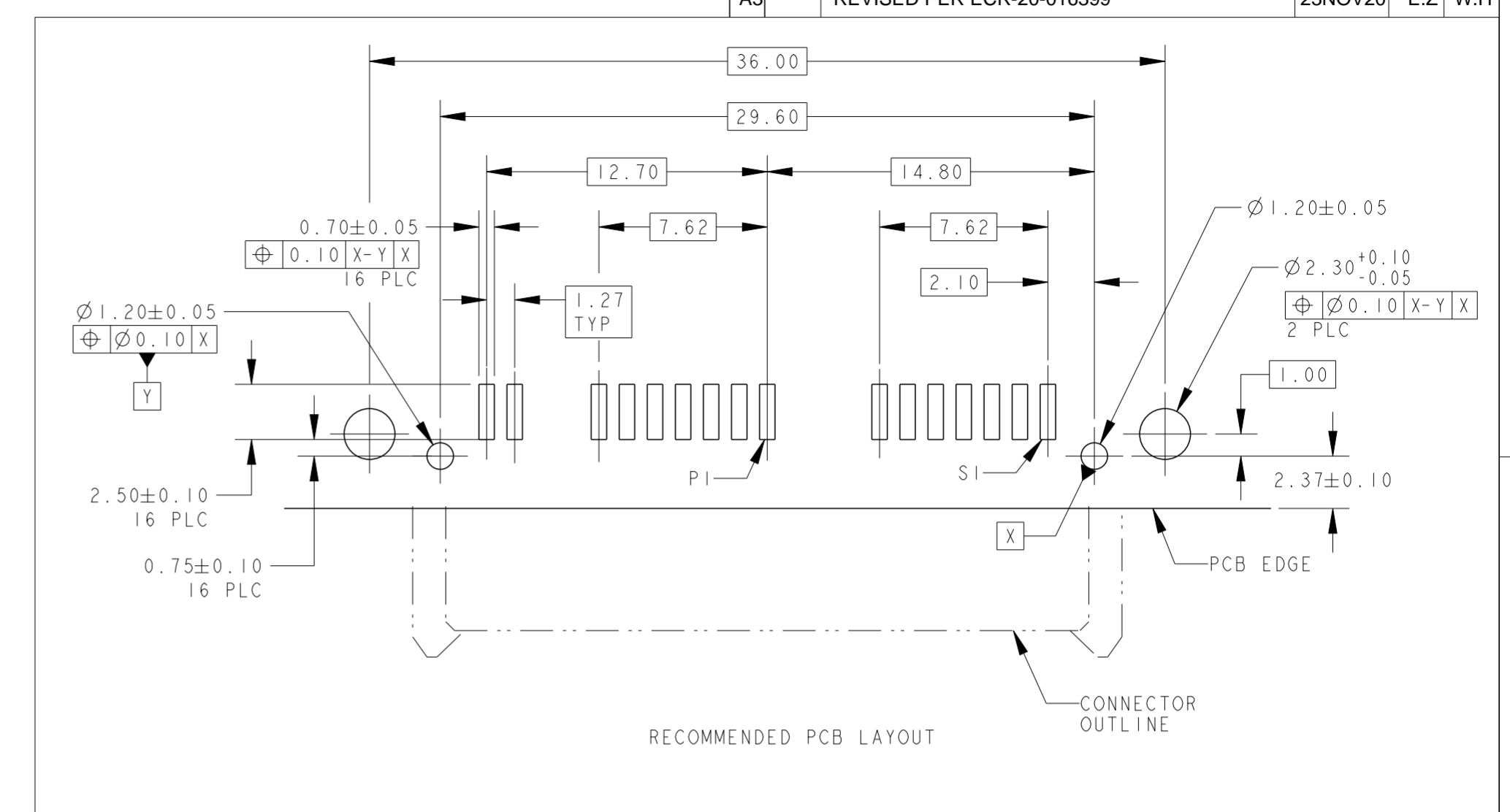
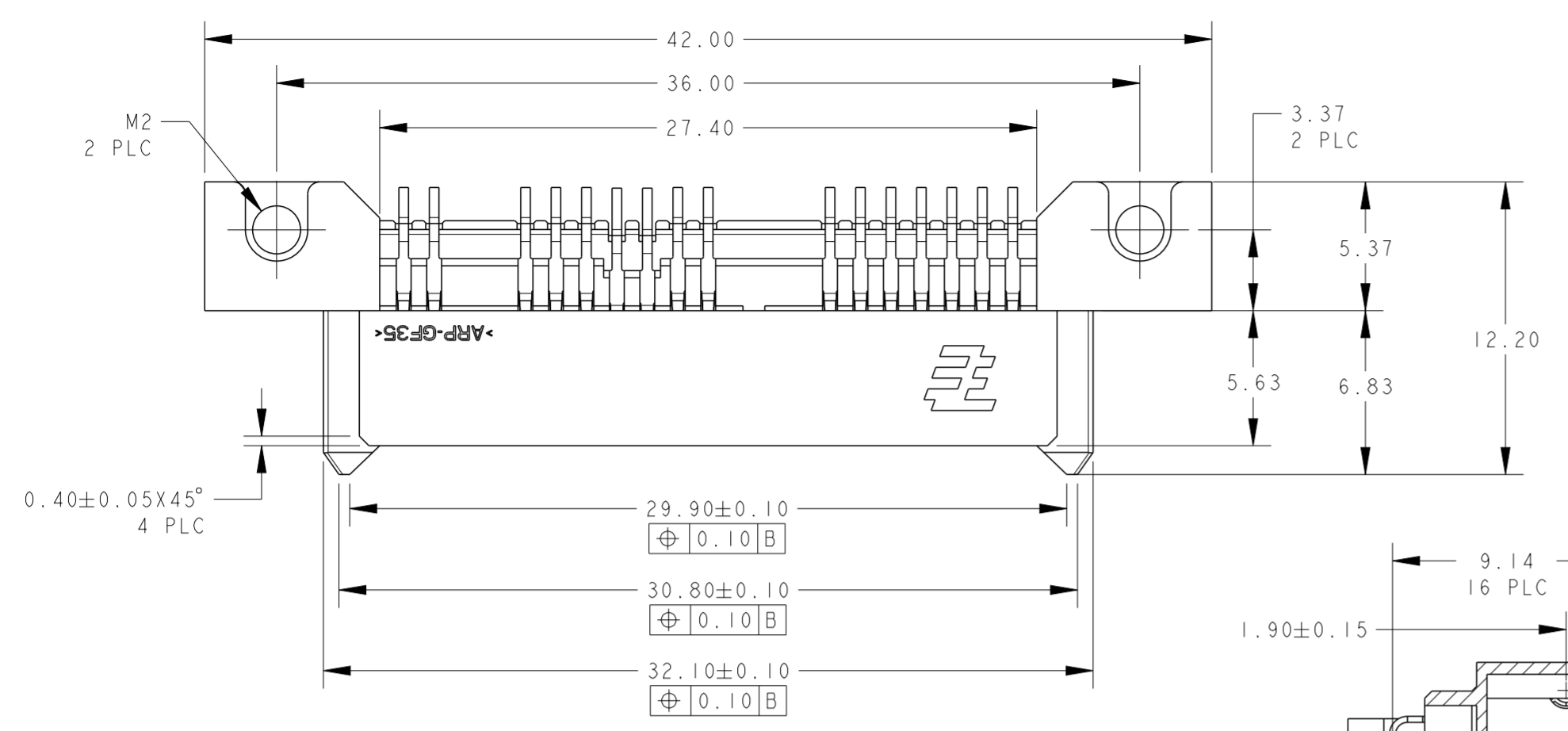
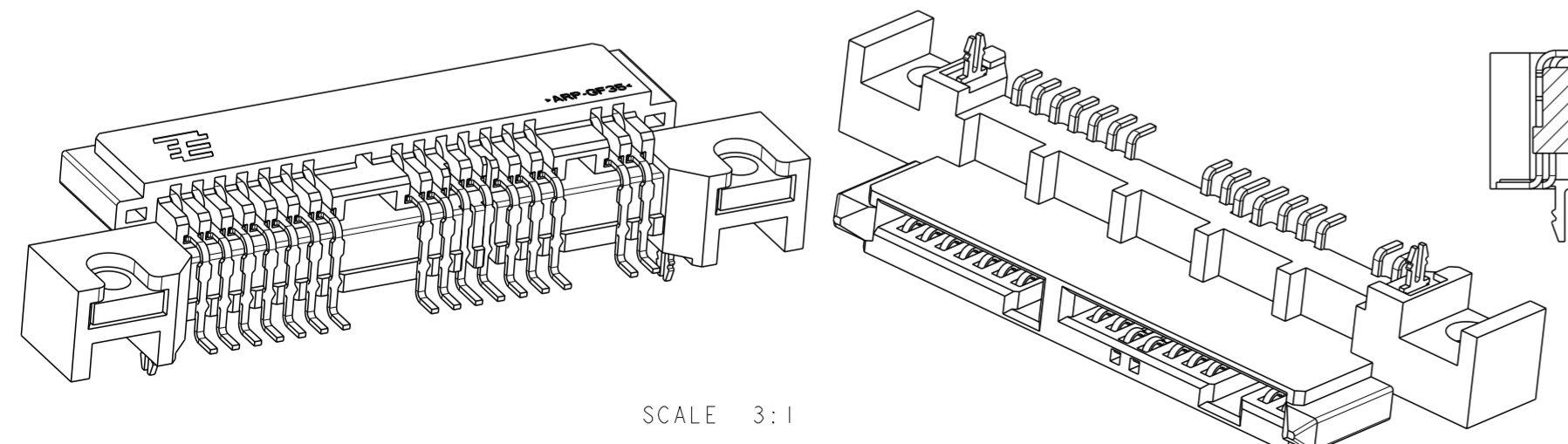


LOC		DIST		REVISIONS			
P	LTR	DESCRIPTION	DATE	DWN	APVD		
A3		REVISED PER ECR-20-016399	23NOV20	E.Z	W.H		



- NOTES:
- MATERIAL:
 HOUSING: HIGH TEMP THERMOPLASTIC, UL94V-0, COLOR: BLACK
 CONTACT: COPPER ALLOY
 BOARDLOCK: COPPER ALLOY
 M2 NUT: STEEL
 - FINISH:
 CONTACT MATING AREA: GOLD PLATING OR GOLD FLASH OVER PALLADIUM-NICKEL (REFER TO TABLE)
 CONTACT SOLDER TAIL: MIN 2.54µm MATTE TIN PLATING
 BOARDLOCK: MIN 2.54µm MATTE TIN PLATING
 UNDERPLATE: MIN 1.27µm NICKEL PLATING ALL OVER
 - PIN #P3 AND #P4 ONLY

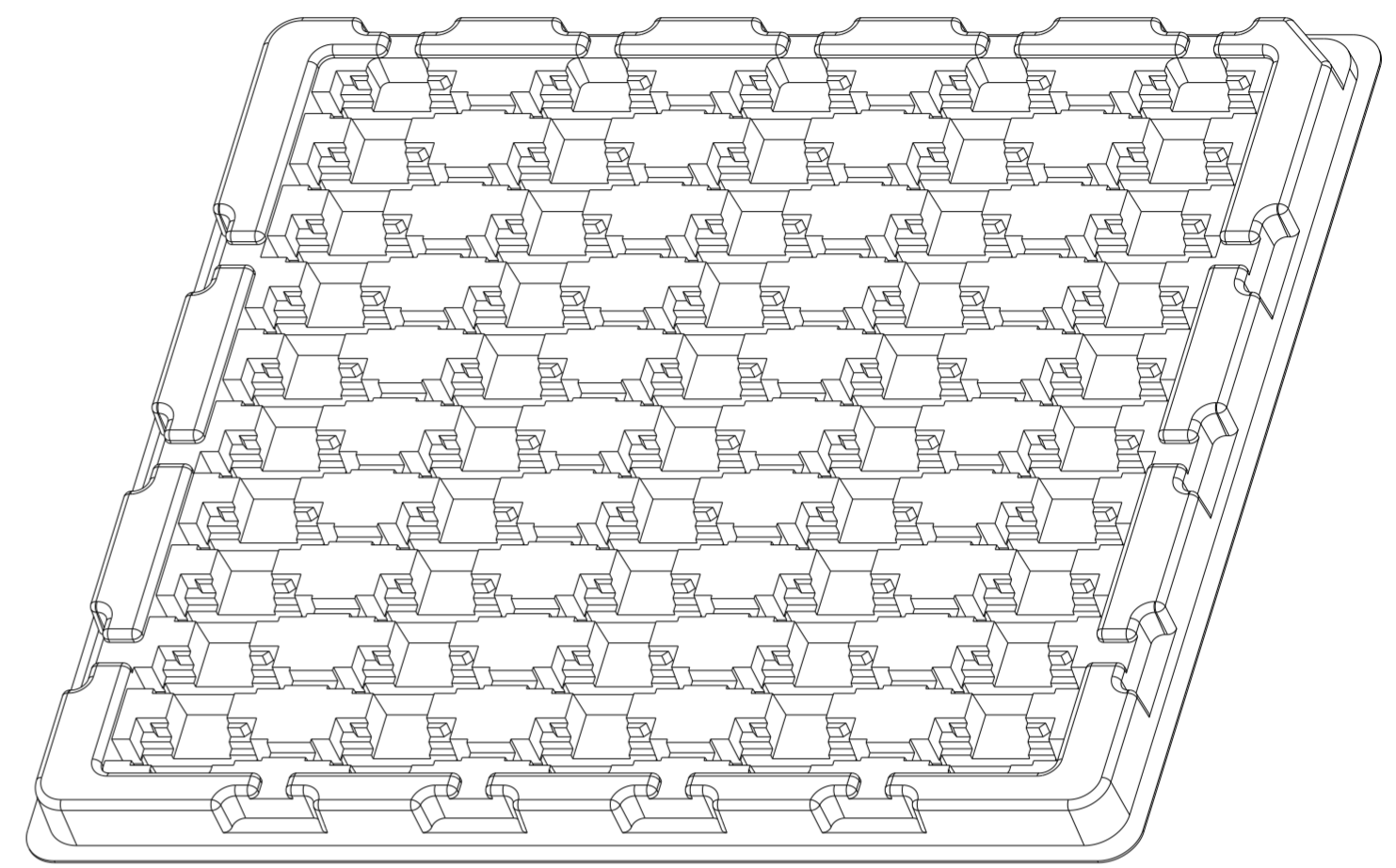
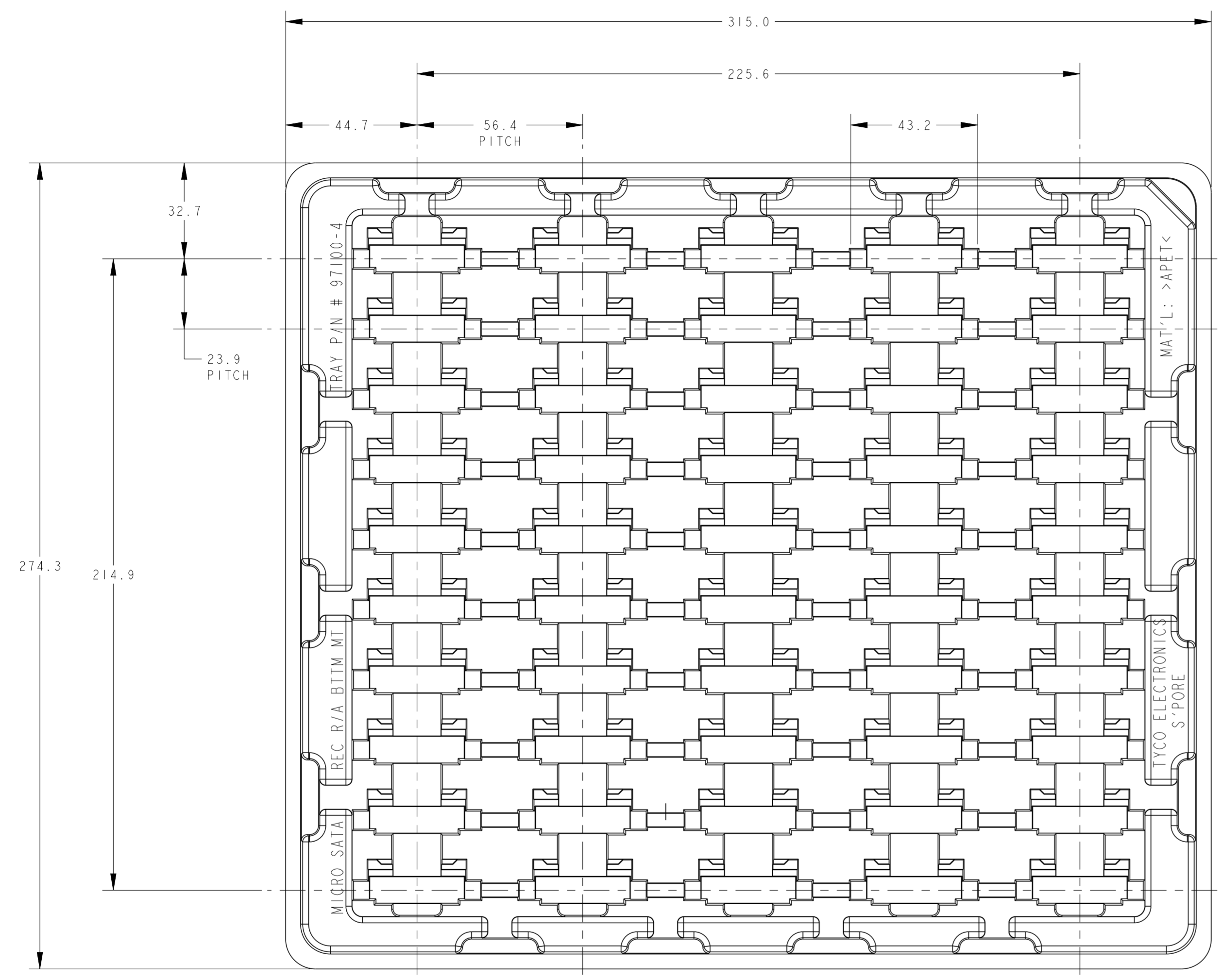


SCALE 3:1

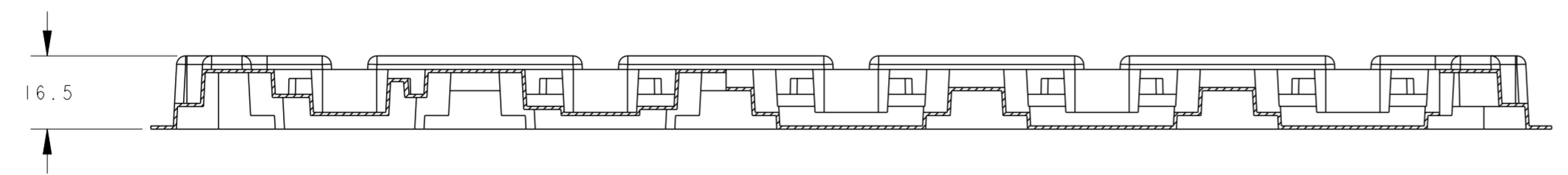
THIS DRAWING IS A CONTROLLED DOCUMENT.		DWN TY PANG	12NOV2007	TE Connectivity	
DIMENSIONS: mm		CHK SF LEONG	04JAN2008		
TOLERANCES UNLESS OTHERWISE SPECIFIED:		APVD SF LEONG	04JAN2008		
0 PLC ± 1 PLC ± 2 PLC ±0.20 3 PLC ± 4 PLC ± ANGLES ±3° FINISH		PRODUCT SPEC	-		
MATERIAL		APPLICATION SPEC	-	NAME MICRO SATA RECEPTACLE, 16P RIGHT ANGLE, SMT BOTTOM MOUNT, H5.75	
1		WEIGHT	-	SIZE	A200779
2		CUSTOMER DRAWING	SCALE 4:1	DRAWING NO	C-1735583
			SHEET 1 OF 3	RESTRICTED TO	-
			REV A3		

THIS DRAWING IS UNPUBLISHED. RELEASED FOR PUBLICATION 20
 © COPYRIGHT 20 BY - ALL RIGHTS RESERVED.

LOC	DIST	REVISIONS				
P	LTR	DESCRIPTION	DATE	DWN	APVD	
DY	-	SEE SHEET 1	-	-	-	



4. PACKAGE MATERIAL TRAY: APET

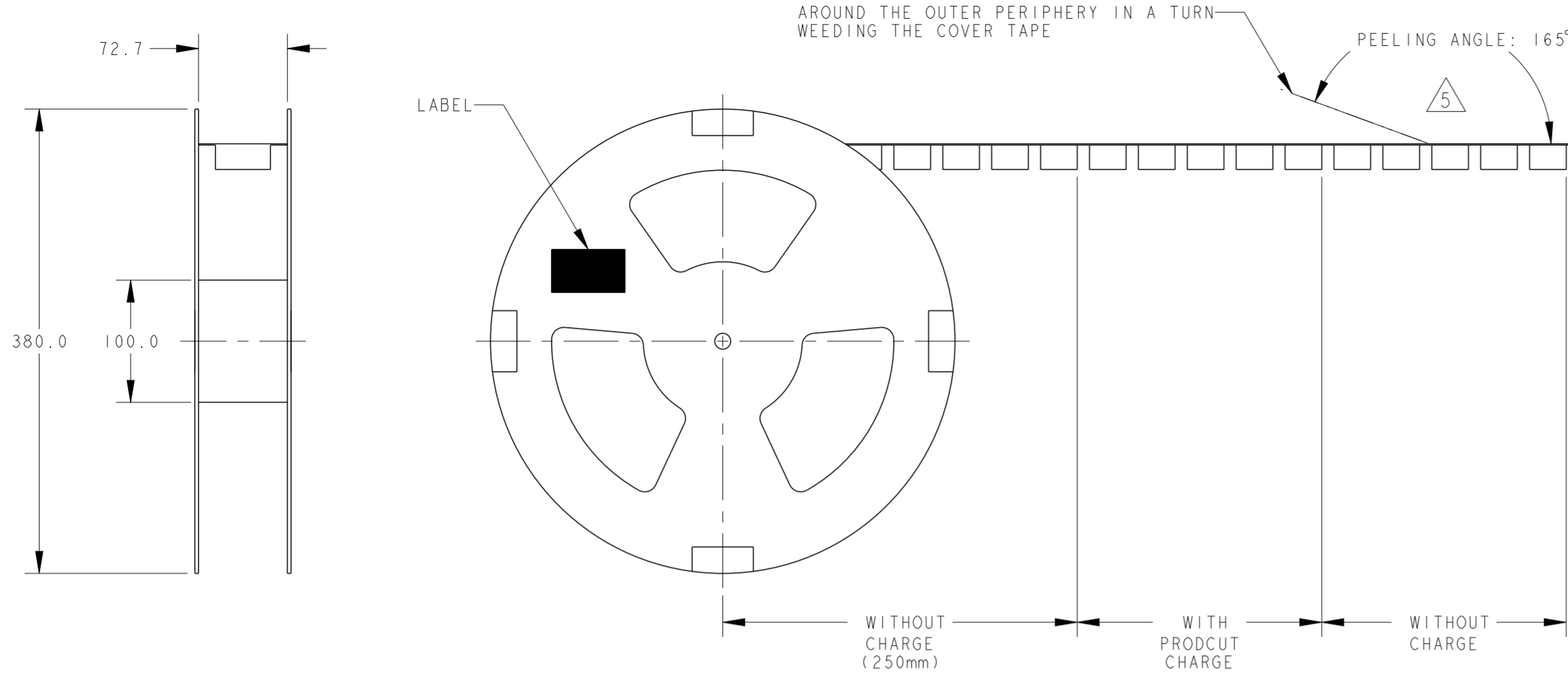


50	11	550	1735583-3
			1735583-2
			1735583-1
PCS/TRAY	TRAY/BOX	PCS/BOX	PART NUMBER

THIS DRAWING IS A CONTROLLED DOCUMENT.		DWN	STE TE Connectivity	
DIMENSIONS: mm		CHK		
TOLERANCES UNLESS OTHERWISE SPECIFIED:		APVD	NAME MICRO SATA RECEPTACLE, 16P RIGHT ANGLE, SMT BOTTOM MOUNT, H5.75	
0 PLC ±		PRODUCT SPEC		
1 PLC ±3		APPLICATION SPEC	SIZE	CAGE CODE
2 PLC ±2		WEIGHT	A2	00779
3 PLC ±1		CUSTOMER DRAWING	DRAWING NO C-1735583	
4 PLC ±			RESTRICTED TO	
ANGLES ±3°			SCALE	NONE
FINISH			SHEET	2 OF 3
			REV	A3

THIS DRAWING IS UNPUBLISHED. RELEASED FOR PUBLICATION 20
 © COPYRIGHT 20 BY - ALL RIGHTS RESERVED.

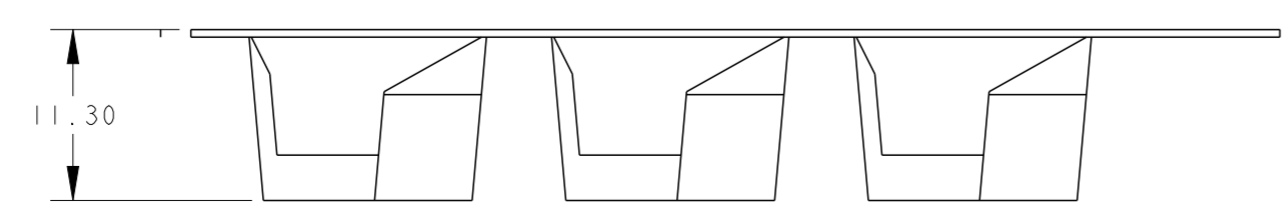
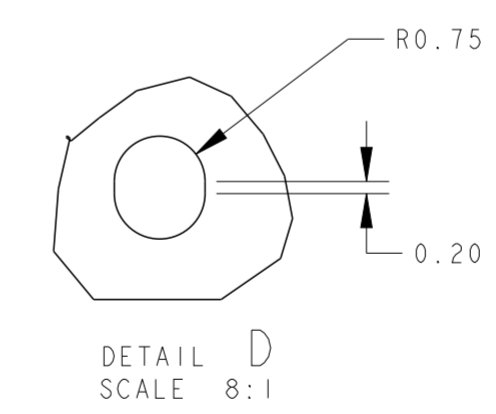
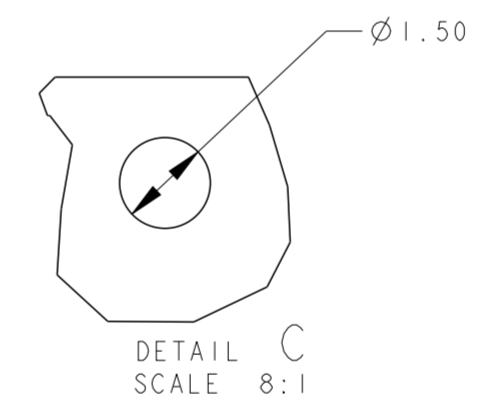
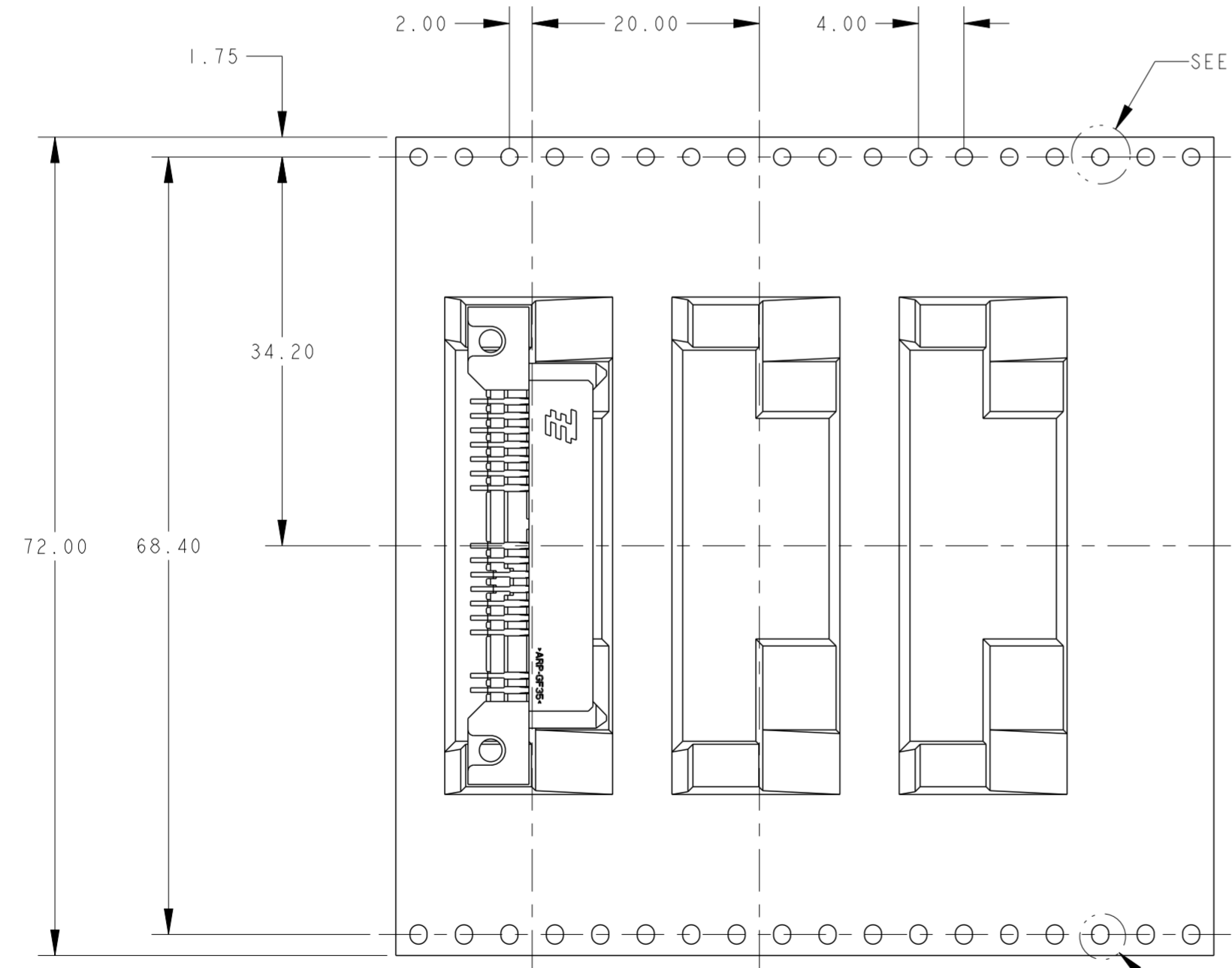
LOC		DIST		REVISIONS			
P	LTR	DESCRIPTION	DATE	DWN	APVD		
-	-	SEE SHEET 1	-	-	-		



5 PEELING STRENGTH OF COVER TAPE: 0.2N~1.2N

6. PACKAGE MATERIAL
 CARRY TAPE: PS, COLOR: BLACK
 COVER TAPE: PET, COLOR: CLEAR

USER DIRECTION OF UNREELING →



400	3	1200	1-1735583-3
			1-1735583-2
			1-1735583-1
PCS/REEL	REEL/BOX	PCS/BOX	PART NUMBER

THIS DRAWING IS A CONTROLLED DOCUMENT.		DWN	STE TE Connectivity	
DIMENSIONS: mm		CHK		
TOLERANCES UNLESS OTHERWISE SPECIFIED:		APVD	NAME	
0 PLC	±	PRODUCT SPEC	MICRO SATA RECEPTACLE, 16P	
1 PLC	±1	APPLICATION SPEC	RIGHT ANGLE, SMT	
2 PLC	±0.5		BOTTOM MOUNT, H5.75	
3 PLC	±		SIZE	CAGE CODE
4 PLC	±		A2	00779
ANGLES	±3°		DRAWING NO	RESTRICTED TO
FINISH			C-1735583	-
MATERIAL		WEIGHT		
		CUSTOMER DRAWING	SCALE: NONE	SHEET 3 OF 3
				REV A3

X-ON Electronics

Largest Supplier of Electrical and Electronic Components

Click to view similar products for [DIMM Connectors](#) category:

Click to view products by [TE Connectivity](#) manufacturer:

Other Similar products are found below :

[1-1932649-2](#) [1-1761024-0](#) [296409204002856+](#) [1932180-2](#) [10086891-052TSLF](#) [59355-052FSLF](#) [5390471-1](#) [2309413-3](#) [10033853-052ASLF](#)
[87782-6003](#) [KIT-SODIMM-1X16GB/01](#) [10129206-0010013LF](#) [2309409-2](#) [0780350001](#) [0780350301](#) [0783150011](#) [0878030012](#)
[75.963AT.G020C](#) [78.B1GDE.AF1](#) [10078239-11103LF](#) [6-390322-1](#) [2013311-1](#) [2309410-1](#) [10116658-152FSLF](#) [1-1735438-3](#) [1-1735413-1](#)
[78730-1002](#) [78726-1002](#) [2013310-1](#) [390111-1](#) [1735438-3](#) [78373-0011](#) [2308107-1](#) [2-2308107-1](#) [2309411-1](#) [5-1746530-4](#) [2309408-1](#)
[2309409-1](#) [151134-0001](#) [296406200001856+](#) [2309407-1](#) [FCN-074J240-G/1D](#) [FCN-074B288-G/2D](#) [2309414-1](#) [10081530-12208LF](#) [151080-0001](#) [78321-0001](#) [78726-1004](#) [87705-1053](#) [19320](#)