

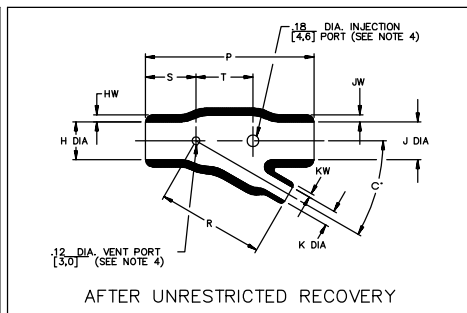
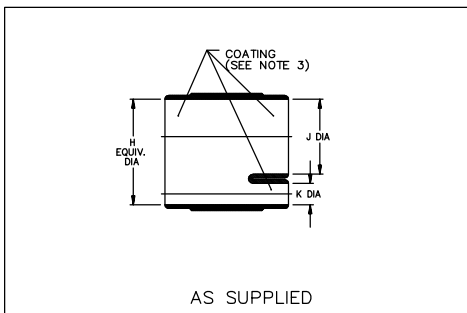
Molded Parts Specification Control Drawing

Part Number : 362A014 thru 114
Description : Transition, 30°, Side Breakout, Thinwall

NOTES

- All dimensions are in $\frac{\text{inches}}{\text{[millimeters]}}$
- Dimensions appearing in table are as follows:
 - a - As Supplied
 - b - After Unrestricted Recovery
- Coating is optional. As supplied dimensions appearing in table are for uncoated parts. When coating is added, entry diameters will be reduced by .06 max.
- Molding ports are optional. When -00 modification number is specified molding ports will be located as shown.

$\frac{\Delta}{5}$ /180 adhesive available only on 362A014.



| PART NUMBER | H & J | | K | | P | R | S | T | HW | JW | KW | C' | |
|-------------|--------|--------|--------|--------|--------|--------|--------|--------|-------|-------|-------|------|-----|
| | Min | Max | Min | Max | | | | | | | | ±10% | ±5% |
| | a | b | a | b | | | | | | | | b | b |
| 362A014 | 1.20 | .62 | .80 | .42 | 3.25 | 2.00 | 1.25 | .83 | .10 | .10 | .07 | 10 | 30 |
| | [30,5] | [15,7] | [20,0] | [10,7] | [82,6] | [50,8] | [31,8] | [21,1] | [2,5] | [2,5] | [1,8] | | |
| 362A024 | 1.40 | .72 | .60 | .34 | 2.50 | 1.62 | .75 | .88 | .10 | .10 | .06 | 10 | 30 |
| | [35,6] | [18,3] | [15,2] | [8,6] | [63,5] | [41,1] | [19,1] | [22,4] | [2,5] | [2,5] | [1,5] | | |
| 362A114 | 1.40 | .74 | .40 | .21 | 2.40 | 1.40 | .75 | .84 | .11 | .11 | .06 | 10 | 30 |
| | [35,6] | [18,8] | [10,2] | [5,3] | [61,0] | [35,6] | [19,1] | [21,3] | [2,8] | [2,8] | [1,5] | | |

STE
TE Connectivity
307 CONSTITUTION DRIVE
MENLO PARK, CALIFORNIA 94025

Revision : J1
Date : 29MAR11

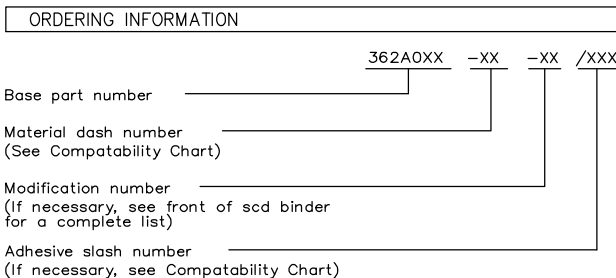
Part Number : 362A014 thru 114
Description : Transition, 30°, Side Breakout, Thinwall

Molded Parts Specification Control Drawing

Part Number : 362A014 thru 114
Description : Transition, 30°, Side Breakout, Thinwall

| MATERIAL DASH NO. | MATERIAL DESCRIPTION | RT SPEC | COATING SLASH NO. | COATING S NO. | COATING DESCRIPTION |
|-------------------|------------------------------------|---------|-------------------------|---------------|---------------------|
| -3 | Polyolefin, Semi-rigid | RT-301 | /42;/86 | S-1017;S-1048 | Adhesive |
| -4 | Polyolefin, Flexible | RT-1304 | /42;/86 | S-1017;S-1048 | Adhesive |
| -5 | Elastomer, Flexible | RT-501 | N/A | | |
| -6 | Silicone | RT-602 | N/A | | |
| -12 | *VITON, Flexible | RT-1312 | N/A | | |
| -25 | Elastomer, Fluid Resistant | RT-1325 | /86;/225 | S-1048;S-1206 | Adhesive |
| -100 | Polyolefin, ZERODAL™ Semi-flexible | RT-1323 | /180 $\frac{\Delta}{5}$ | S-1030 | Adhesive |

*VITON is a Registered Trademark of Dupont



THIS DRAWING IS SUBJECT TO CHANGE WITHOUT NOTICE; CONSULT YOUR NEAREST FIELD REPRESENTATIVE FOR CURRENT REVISION

STE
TE Connectivity
307 CONSTITUTION DRIVE
MENLO PARK, CALIFORNIA 94025

Revision : J1
Date : 29MAR11

Part Number : 362A014 thru 114
Description : Transition, 30°, Side Breakout, Thinwall

CAD FILE MP01033

X-ON Electronics

Largest Supplier of Electrical and Electronic Components

Click to view similar products for [Heat Shrink Cable Boots & End Caps](#) category:

Click to view products by [TE Connectivity](#) manufacturer:

Other Similar products are found below :

[577159N001](#) [007758-000](#) [610368N003](#) [645494-000](#) [M85049/141-02HU](#) [M85049/141-03HU](#) [M85049/141-04HU](#) [687025-000](#) [705331-000](#)
[718446-000](#) [725666N001](#) [729257-000](#) [F21914-000](#) [F27131-000](#) [F85868-000](#) [770-006A103R](#) [770-006A304W1](#) [770-006A305W1](#) [770-](#)
[006A308W1](#) [770-011T303W1](#) [770-011T304W1](#) [770-020S702W1](#) [770-020S704W1](#) [806138-000](#) [806542N001](#) [807507-000](#) [808059-000](#)
[808296-000](#) [808362-000](#) [808828-000](#) [809125-000](#) [809130-000](#) [809218-000](#) [811218-000](#) [811288-000](#) [812014-000](#) [812047-000](#) [813166-000](#)
[813767N002](#) [814417-000](#) [819115N001](#) [819117N001](#) [823026-000](#) [823070-000](#) [825002-000](#) [841189N001](#) [861471-000](#) [866647-000](#) [937577-](#)
[000](#) [950764-000](#)