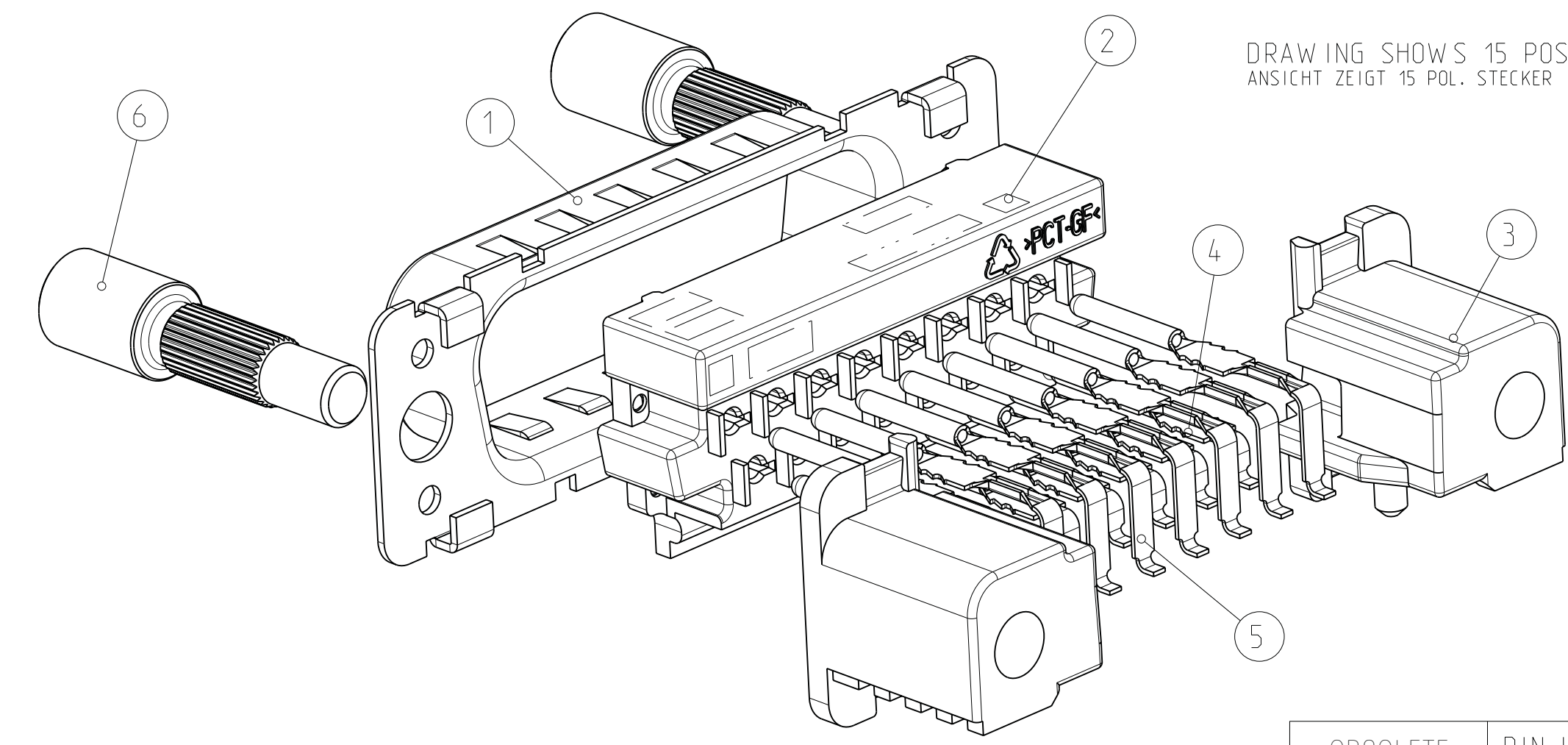
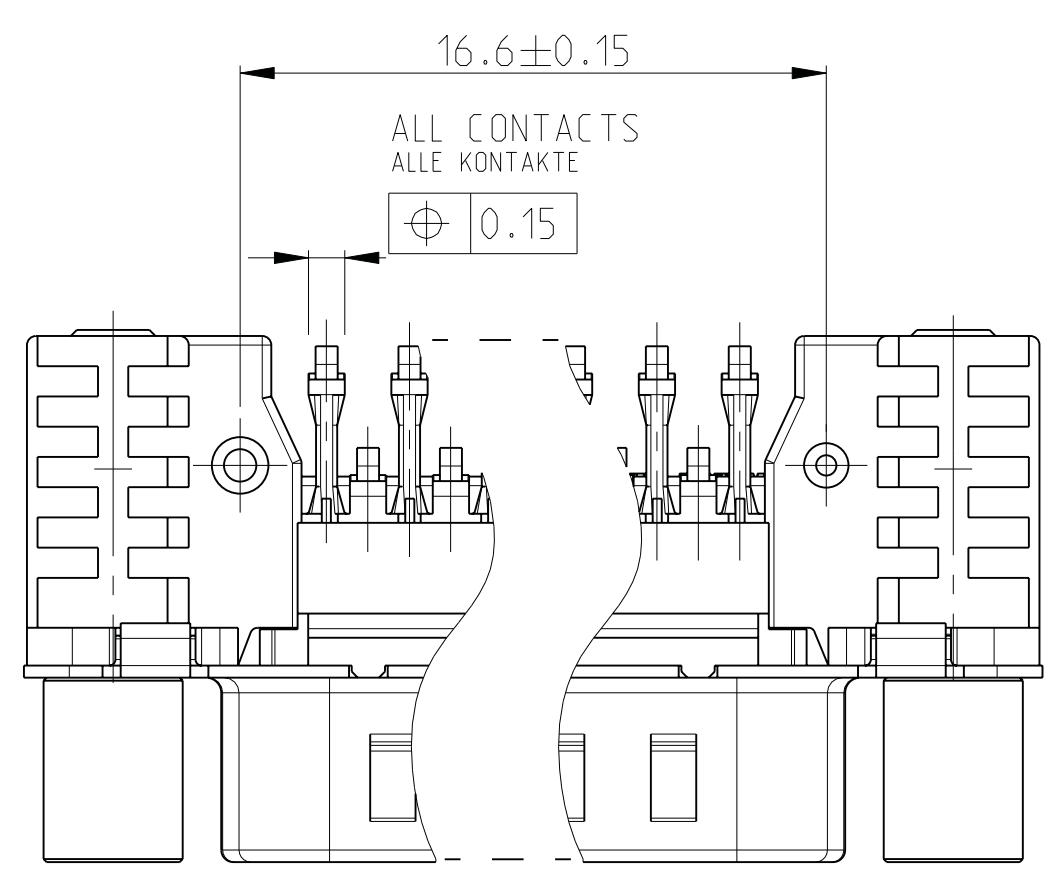
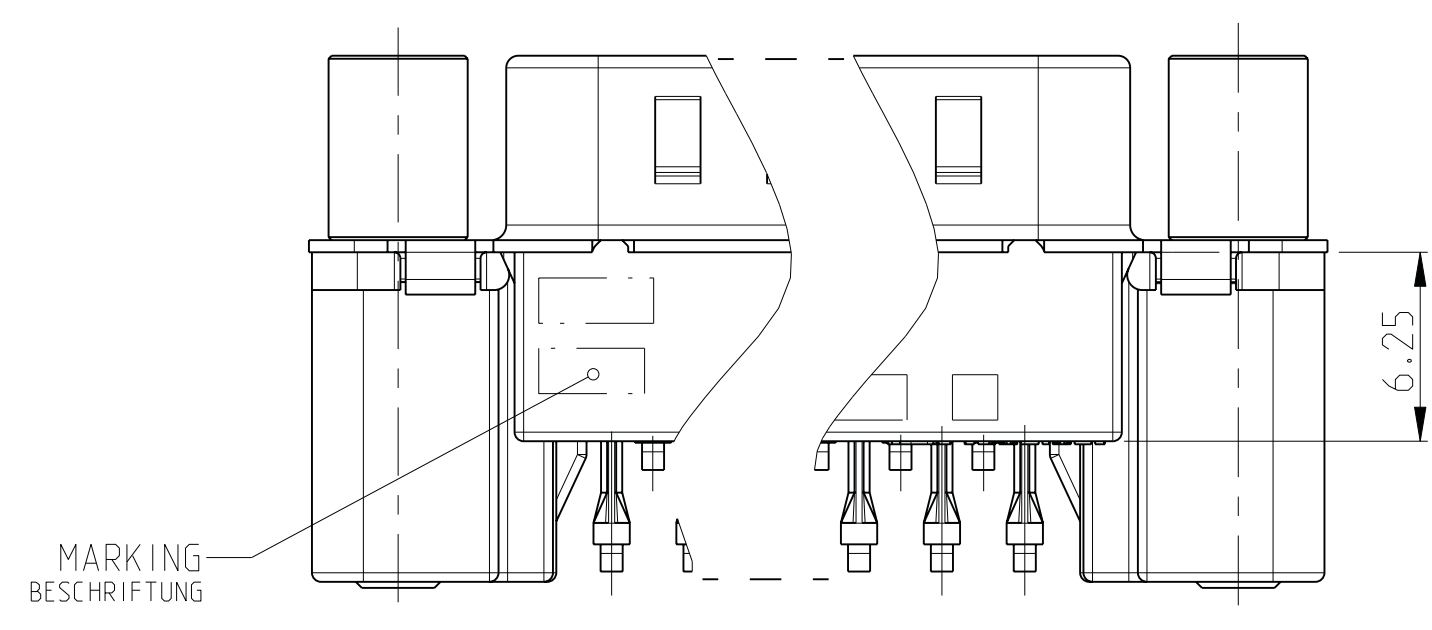
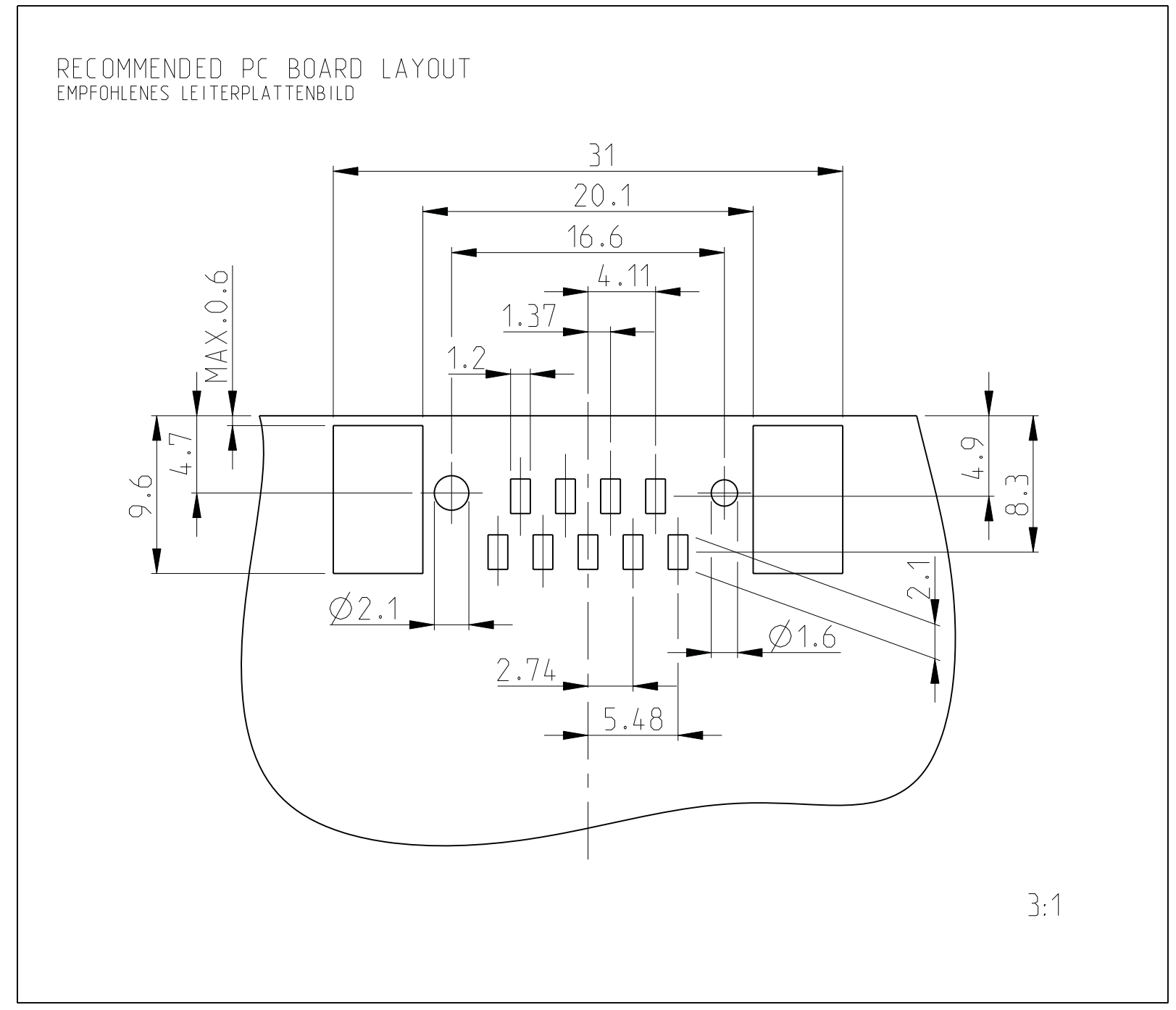
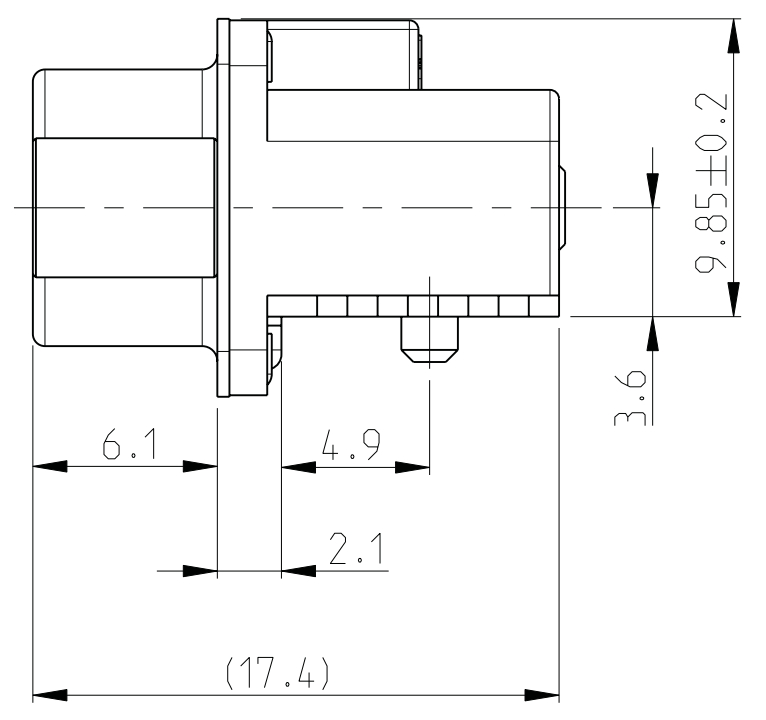
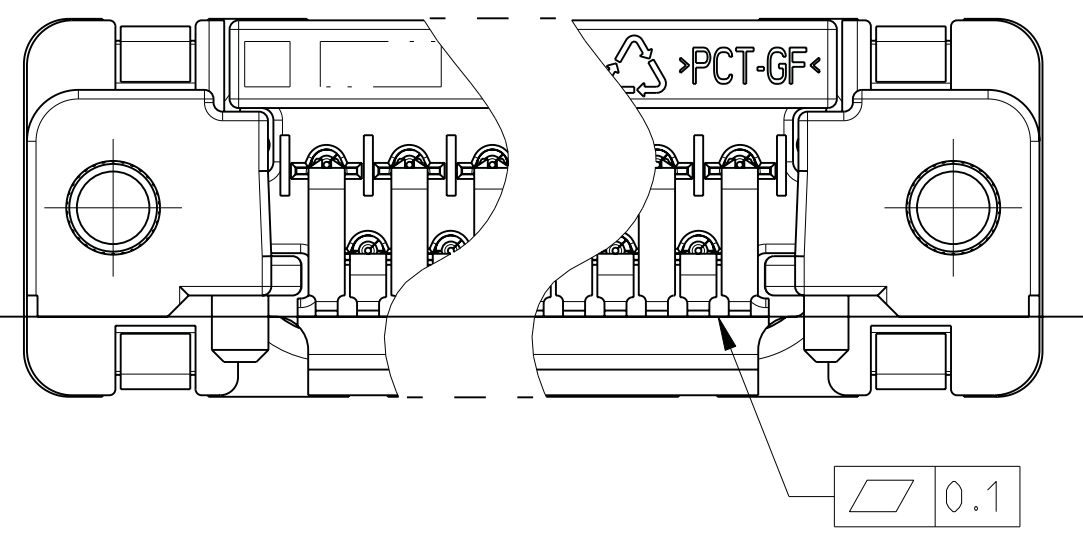


LOC	DIST	REV	DATE	DWN	APVD
A1	-	D1	21MAR2011	RK	HMR
		E	29FEB2012	CJV	SLB

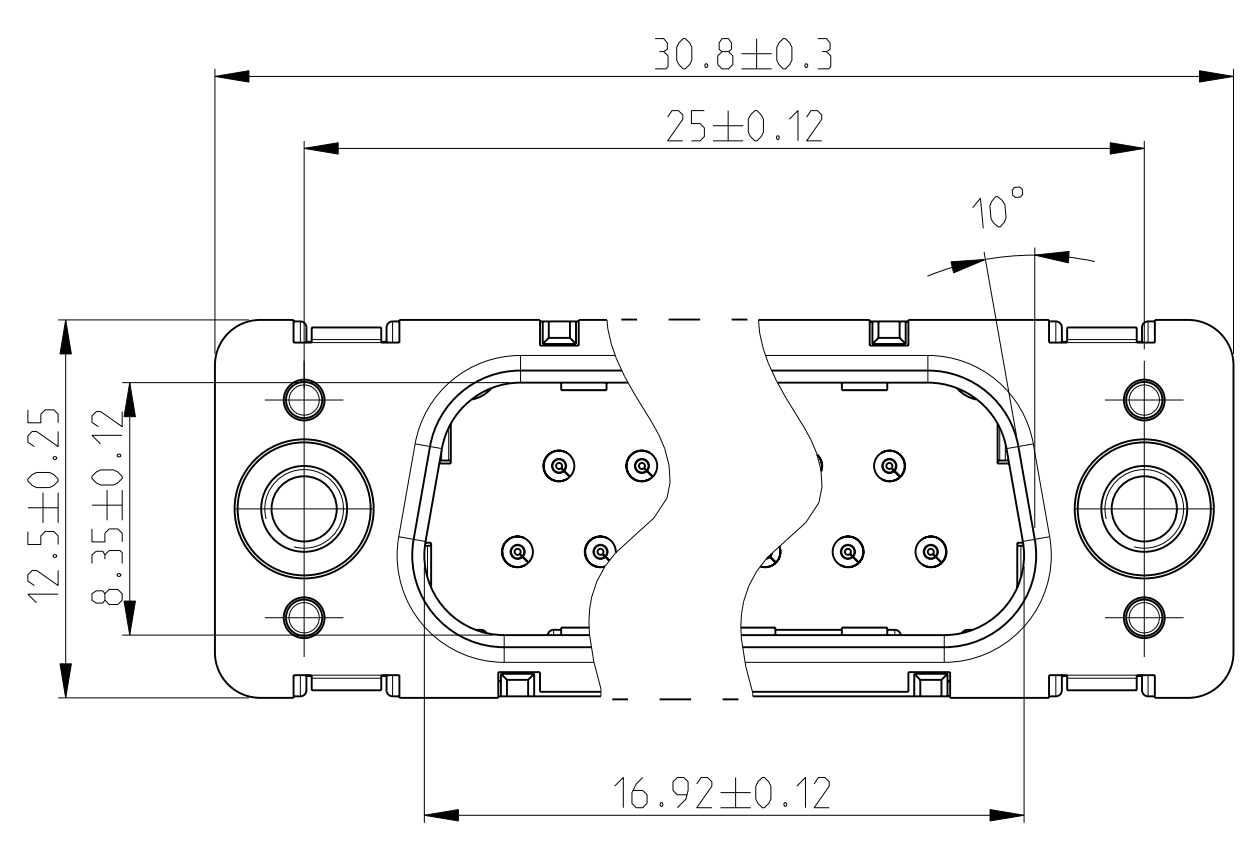


DESCRIPTION	SHELL PLATING: TIN OVER Ni	SHELL PLATING: Ni
OBSOLETE PIN HEADER, 9 POS., STUD WITH THREAD M3	4-1740195-2	4-1740195-5
OBSOLETE PIN HEADER, 9 POS., BRACKET WITH THREAD M3	2-1740195-2	2-1740195-5
PIN HEADER, 9 POS., STUD WITH THREAD UNC 4/40	3-1740195-2	3-1740195-5
PIN HEADER, 9 POS., BRACKET WITH THREAD UNC 4-40	1-1740195-2	1-1740195-5
PIN HEADER, 9 POS., BRACKET WITH HOLE Ø3.1	0-1740195-2	0-1740195-5



REMARKS:
 1 CONTACT AREA: MIN. 0.8 µm Au OVER 1.27 µm Ni, SOLDER AREA: 3-5 µm Sn OVER MIN. 1.27 µm Ni
 2 PACKAGING SEE SHEET 2
 3 CONNECTOR SUITABLE TO LEAD-FREE SMT SOLDER PROCESS
 4 TIN OVER NICKEL

BEMERKUNGEN:
 1 KONTAKTBEREICH: MIN. 0.8 µm Au UEBER 1.27 µm Ni, LOETBEREICH: 3-5 µm Sn UEBER MIN. 1.27 µm Ni
 2 VERPACKUNGSART SIEHE BLATT 2
 3 STECKER GEEIGNET FUER BLEIFREIES LOETEN
 4 ZINN UEBER NICKEL



POS.	QTY.	DESCRIPTION BENENNUNG	SURFACE OBERFLAECHE COLOUR/FARBE	MATERIAL
6	2	THREAD STUD GEWINDEBOLZEN	NICKEL NICKEL	STEEL STAHL
5	5	PIN CONTACT, SMD, LONG STIFTKONTAKT, SMD, LANG	1	CuMg
4	4	PIN CONTACT, SMD, SHORT STIFTKONTAKT, SMD, KURZ	1	CuMg
3	2	BRACKET, SMD, LEFT/RIGHT WINKELSTUECK, SMD, LINKS/RECHTS	4	CAST METAL DRUCKGUSS
2	1	PIN HOUSING STIFTGEHAUESE	BLACK SCHWARZ	PCT-GF
1	1	SHELL SCHIRMBLECH	SEE TABLE SIEHE TABELLE	STEEL STAHL

THIS DRAWING IS A CONTROLLED DOCUMENT. THIS IS CHANGING DOCUMENT AND SHOULD BE KEPT UNDER CONTROL. ANSCHAUEN, DIE SICH BEZUGEN AUF VERGANGENE VERSIONEN, SIND VERBODEN.

DATE: 30NOV2004
 CHK: M.SCHAARSCHMIDT
 APVD: G.FELDMEIER

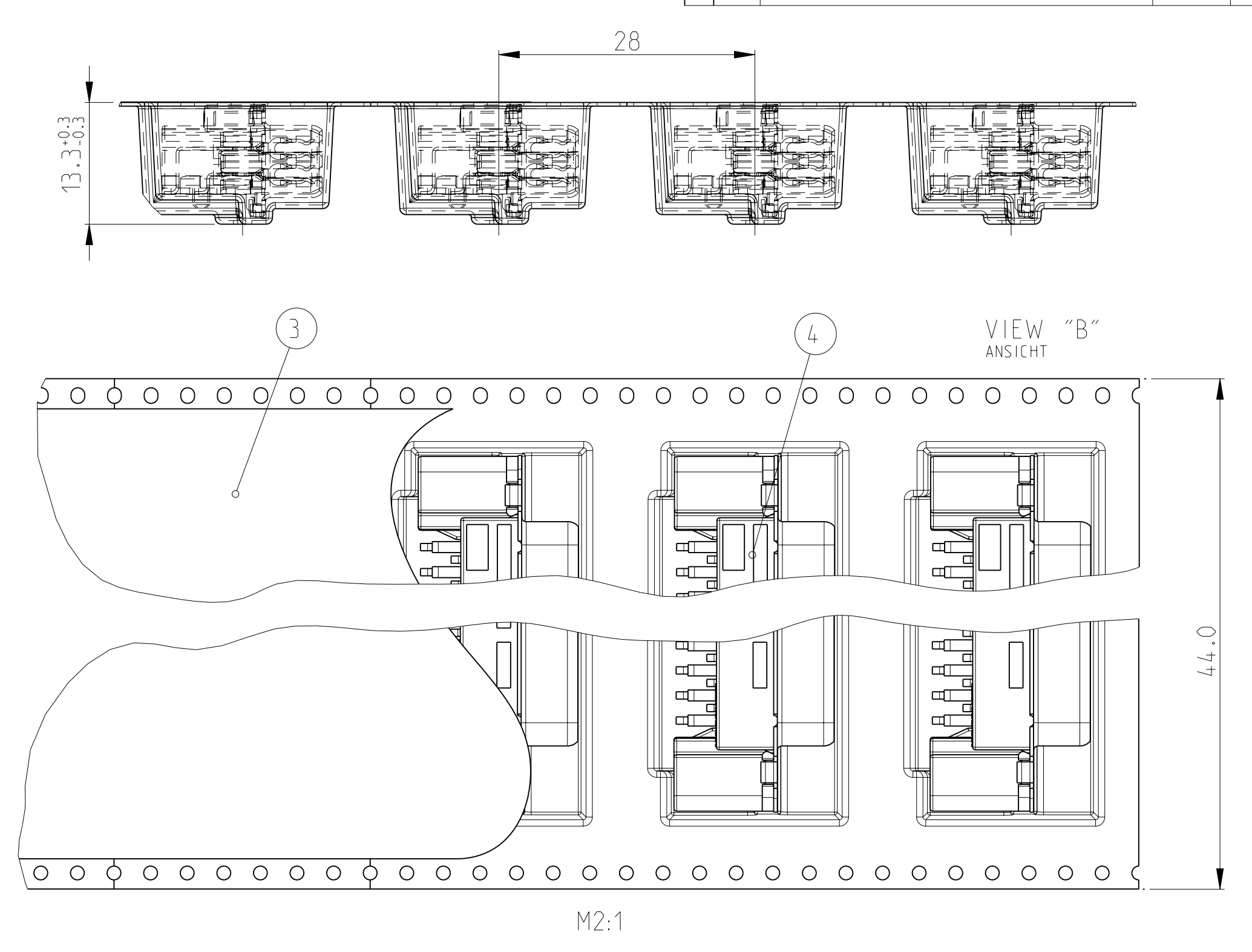
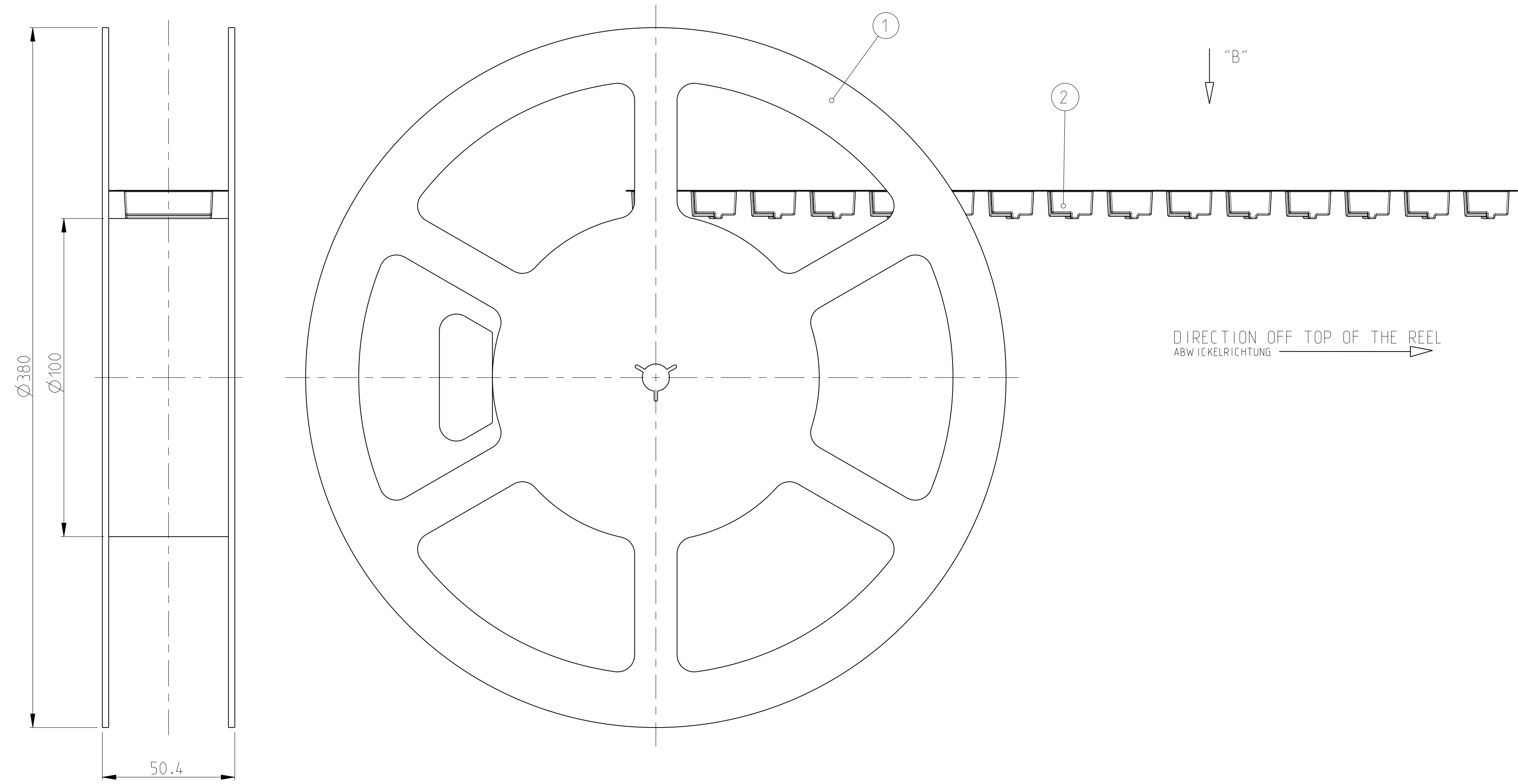
PRODUCT SPEC: 108-94000
 APPLICATION SPEC: VERARBEITUNGSSPEZ.

SCALE: 5:1
 SHEET: 1 OF 2

STE TE Connectivity
 HDP20 PIN HEADER, SMT, 9POS.
 HDP20 STIFTLISTE, SMT, 9POL.
 EUROSTYLE

SIZE: A1
 CAGE CODE: 00779
 DRAWING NO: 1740195

LOC	DIST	REVISIONS			
P	LTR	DESCRIPTION	DATE	OWN	APVD
-	-	SEE SHEET 1	-	-	-



DIRECTION OFF TOP OF THE REEL
 ABWICKELRICHTUNG

- REMARKS:**
- COVER TAPE WITH BLISTER BELT WELDED OR PASTED
 - BLISTER BELT, COVER AND TAPE ACC. TO DIN/IEC 286 PART 3
 - FIRST AND LAST RUNNING OF THE CARRIER TAPE ACC. TO DIN/IEC 286 PART 3
 - 7m BLISTERBELT AND 7.1m COVER TAPE, 225 LOOSE PIECE PARTS

- BEMERKUNGEN:**
- ABDECKBAND MIT BLISTERGURT VERSCHWEISST ODER VERKLEBT
 - BLISTERGURT, ABDECKBAND UND REEL NACH DIN/IEC 286 TEIL 3
 - VOR- UND NACHLAUF AM BLISTERGURT NACH DIN/IEC 286 TEIL 3
 - 7m BLISTERGURT UND 7.1m ABDECKBAND, 225 EINZELTEILE

4-1740195-2	3-1740195-2	2-1740195-2	1-1740195-2	0-1740195-2	4-1740195-5	3-1740195-5	2-1740195-5	1-1740195-5	0-1740195-5
					OBSOLETE				
						OBSOLETE			

ORDER NO. BESTELL-NR.	POS.	DESCRIPTION BENENNUNG	SURFACE OBERFLAECHE COLOUR/FARBE	MATERIAL	
1740195	4	225	-	-	
	4	-	225	-	
	4	-	-	225	
	4	-	-	225	
	4	-	-	225	
	3	7.1m	7.1m	7.1m	7.1m
	2	7m	7m	7m	7m
1	1	1	1	1	

THIS DRAWING IS A CONTROLLED DOCUMENT.

DMN: L. SCHLUETER 30NOV2004
 CHK: M. SCHAARSCHMIDT 01DEC2004
 E. FELDMEIER

TE Connectivity

HDP20 PIN HEADER, SMT, 9POS.
 HDP20 STIFTLISTE, SMT, 9POL.
 EUROSTYLE

SIZE: A1 CAGE CODE: 00779 DRAWING NO: 1740195
 SCALE: 5:1 SHEET: 2 OF 2 REV: E

X-ON Electronics

Largest Supplier of Electrical and Electronic Components

Click to view similar products for [D-Sub Standard Connectors](#) category:

Click to view products by [TE Connectivity](#) manufacturer:

Other Similar products are found below :

[56F711-015](#) [012-9507-004](#) [LV242999-142T12](#) [015-0341-000](#) [015-0372-005](#) [015-0372-008](#) [015-8755-001](#) [020419-0104](#) [012-0467-000](#) [012-0515-000](#) [012-9507-034](#) [012-9507-114](#) [020745-0008](#) [609-25P](#) [M24308/2-23Z](#) [CT2-14S-2PCA34](#) [CT2-18-11PCAU](#) [CT2-36-15SC](#) [CT6-14S-2SC](#) [CT6E14SA7SC](#) [CT6E22-14PC](#) [CT6E22-14PS](#) [CT6E22-22PS](#) [M83513/01-FC](#) [M85049/48-3-2F](#) [6STD09PCM99B70X](#) [6STD09SCM99B30X](#) [6STD09SCT99S40X](#) [6STD15PCT99S40X](#) [6STD15SCM99B30X](#) [6STD15SCT99S40X](#) [6STF09PCM05B70X](#) [7-135760-9](#) [MC11E-10-6SN](#) [747552-3](#) [MD1-21PS](#) [MDM-15SCBRM7-F222](#) [MDM96517-699](#) [MDM96521-744](#) [MDVB1-21SL1](#) [MIK0-1-7SH003](#) [MIKQ6-7SH076](#) [MIKQ7-7PH077](#) [MIKQ7-7PH11](#) [MIKQ7-7PH32](#) [MJSV-28SL61](#) [MKJ4A1F14-55S](#) [8-135760-3](#) [8STD09PCM99B30X](#) [PG-KV/PV-16-GROM-SEALING](#)