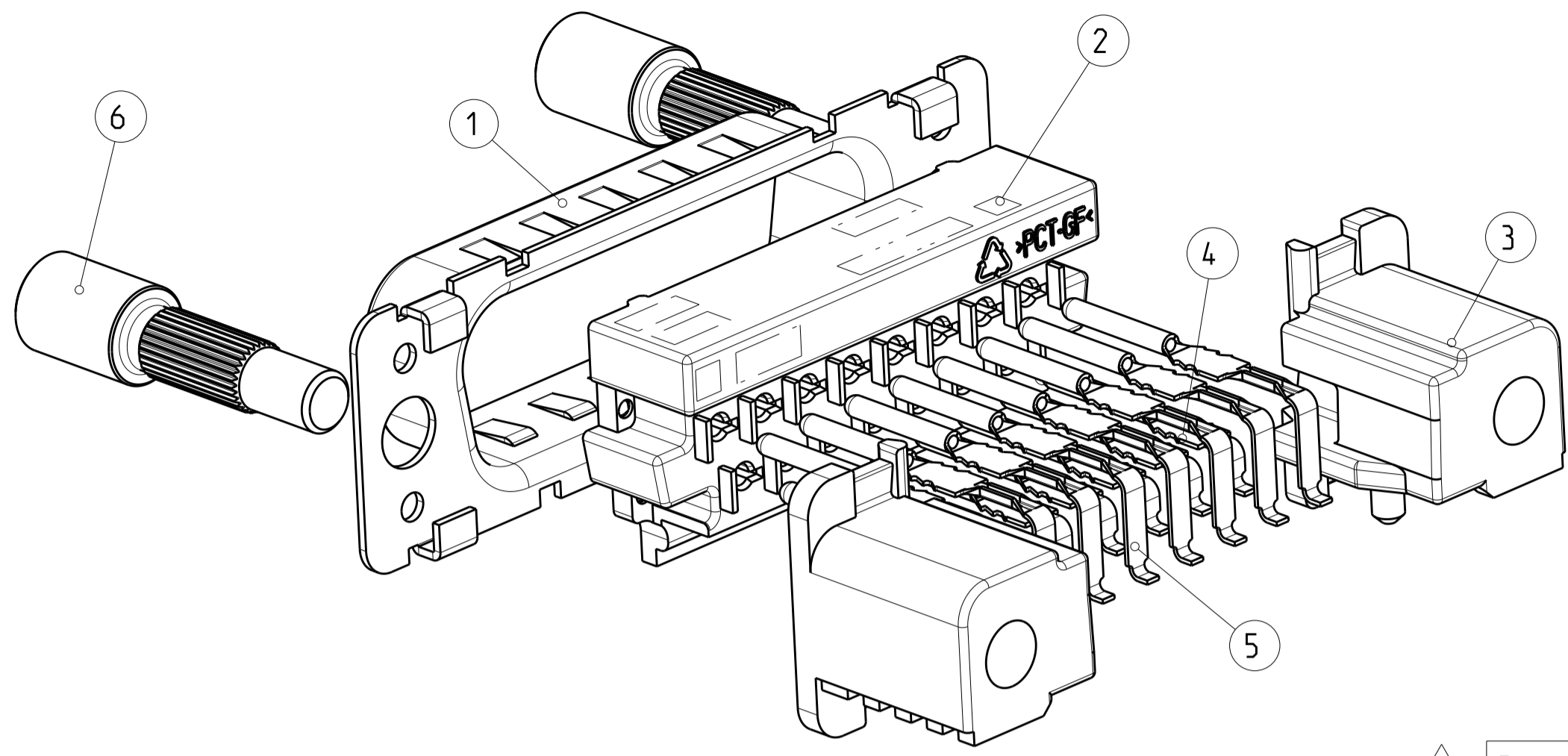
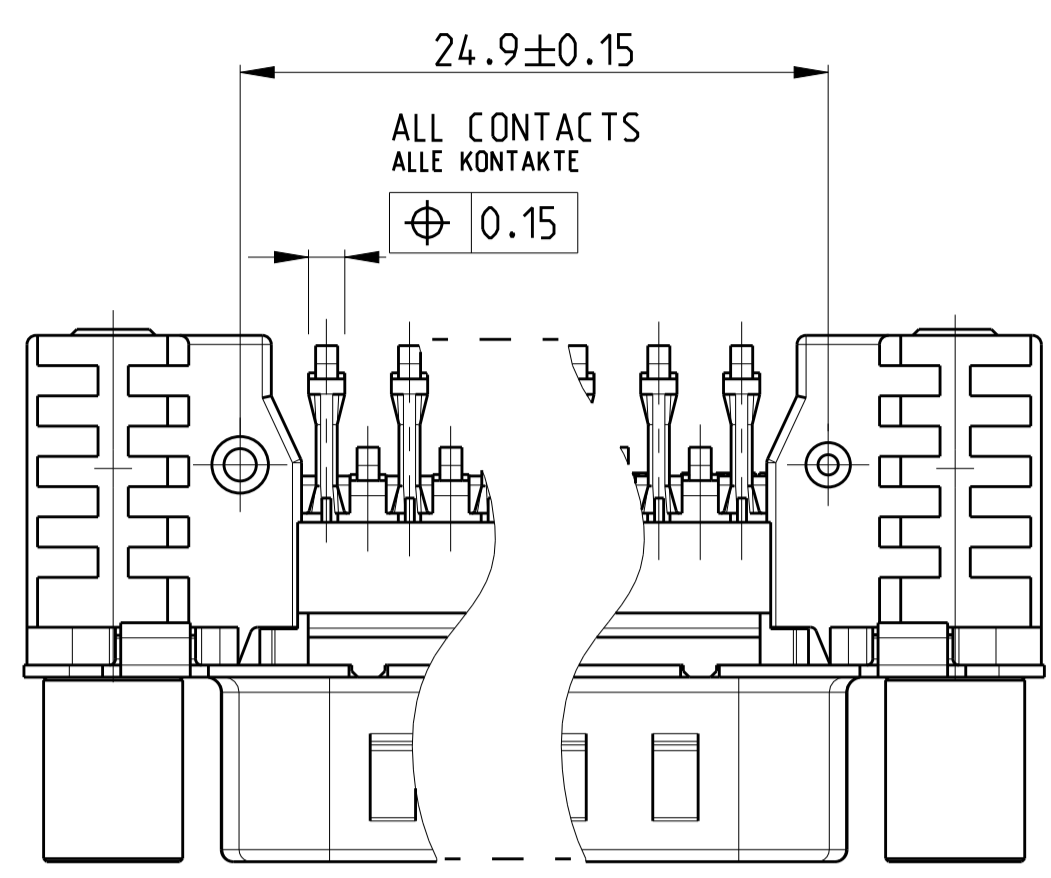
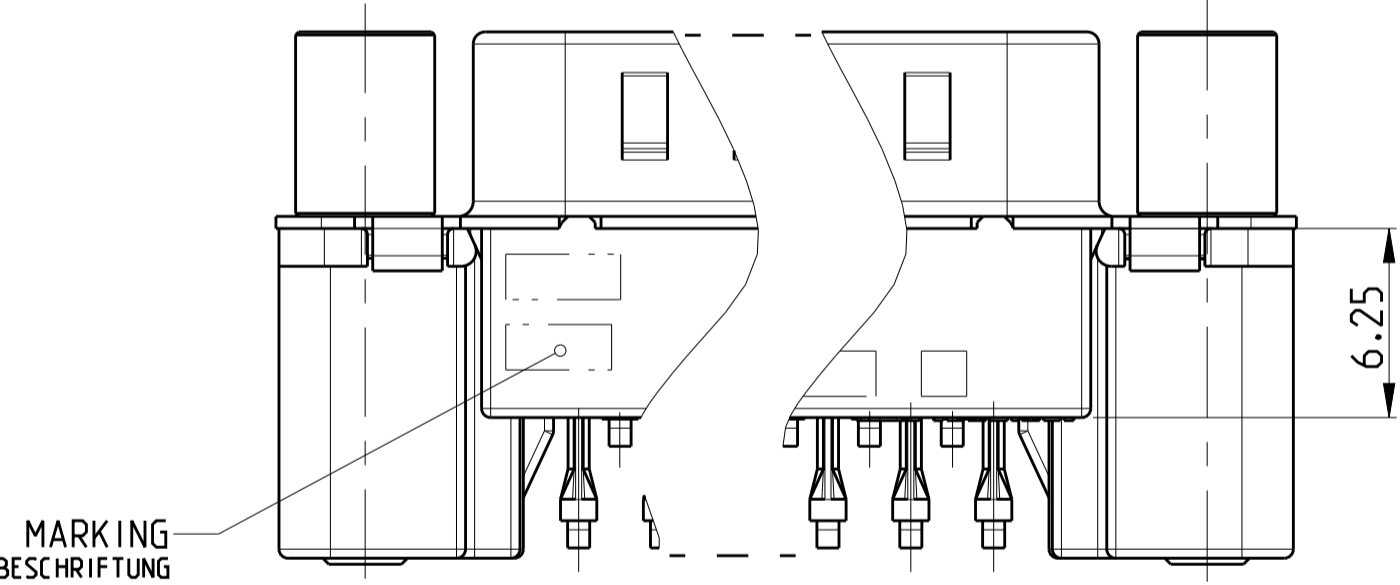
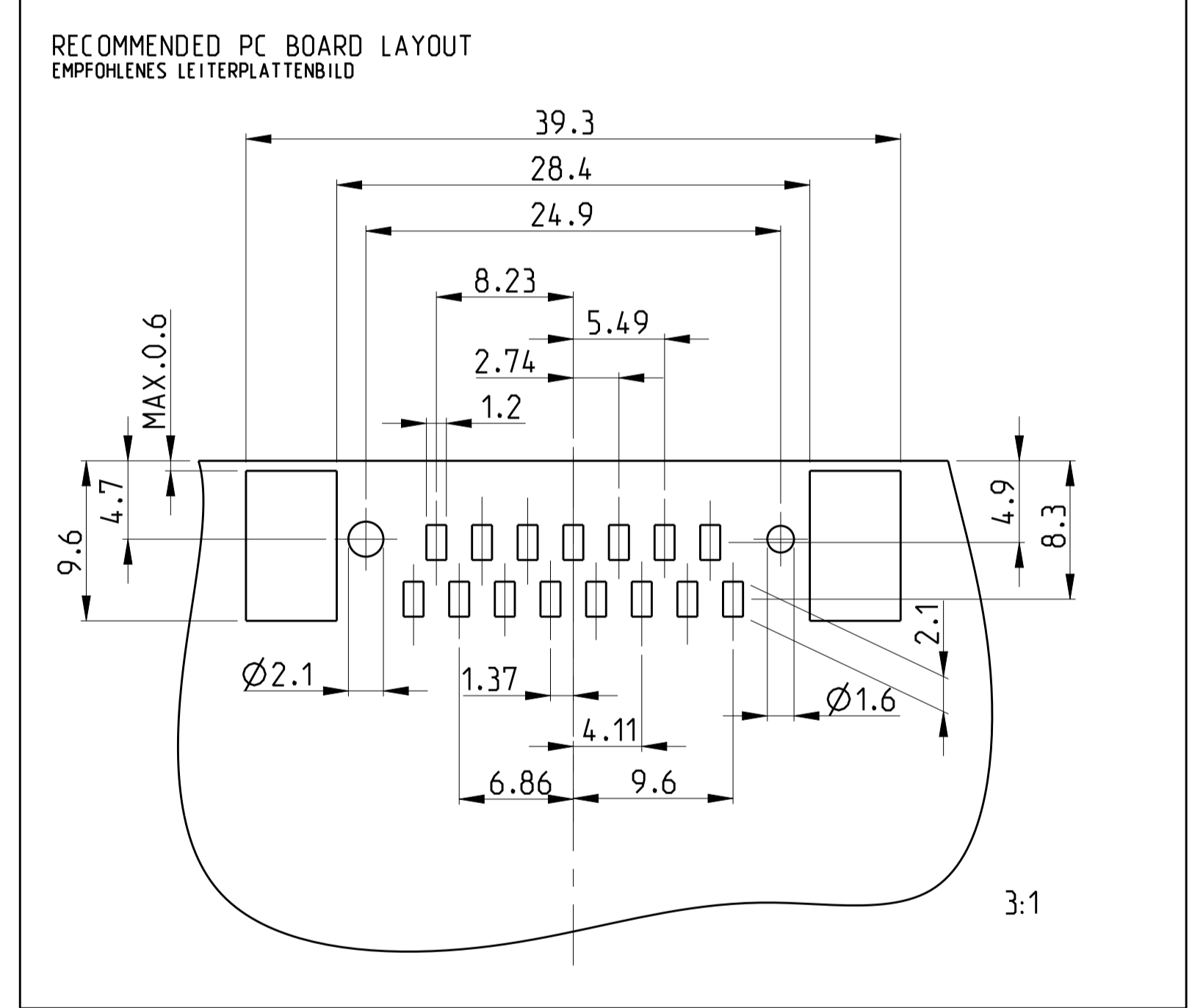
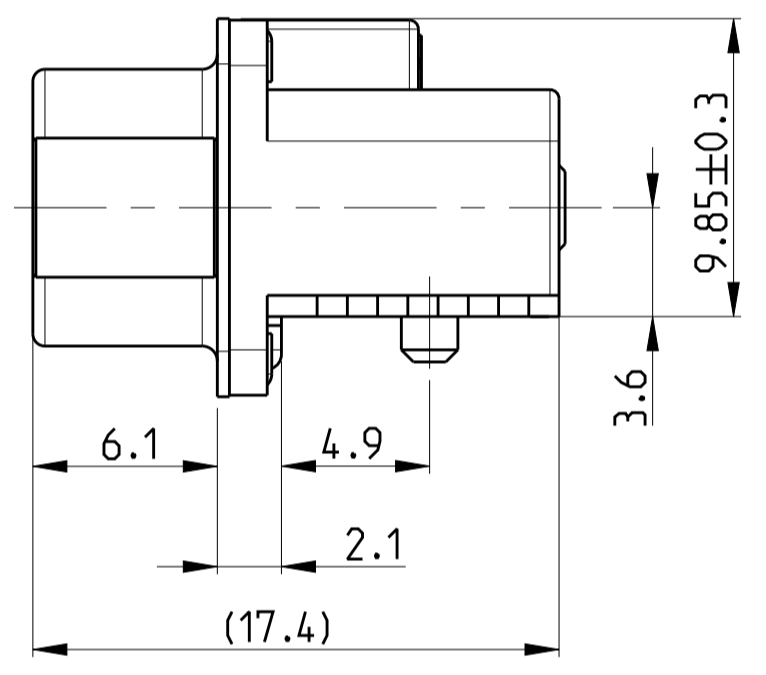
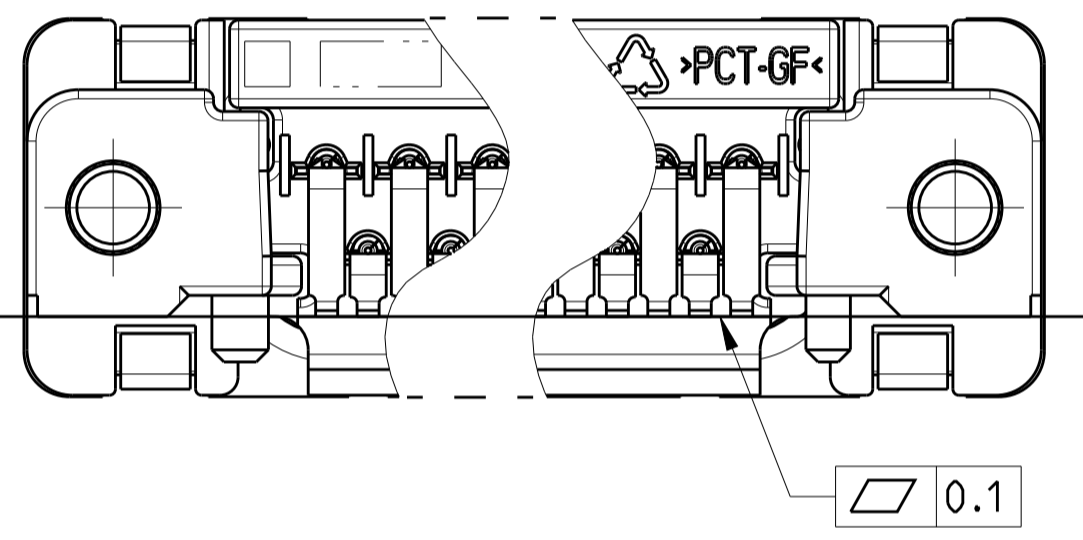


REVISIONS		DATE	DWN	APVD
P	LTR	DESCRIPTION	REVISIONS	
F		REVISED PER ECO-13-012712	10SEP2013	CJV

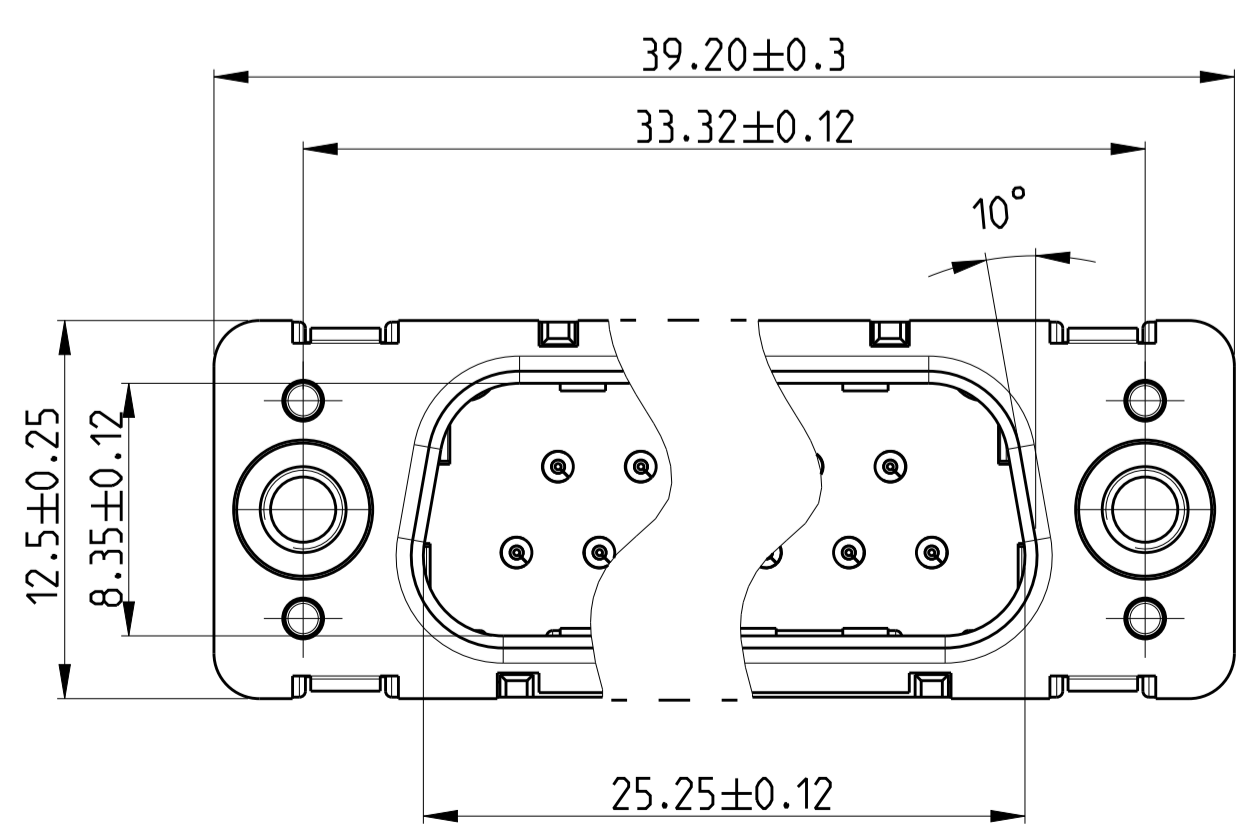


5	PIN HEADER, 15 POS., STUD WITH THREAD M3	4-1740197-2	4-1740197-5
5	PIN HEADER, 15 POS., BRACKET WITH THREAD M3	2-1740197-2	2-1740197-5
	PIN HEADER, 15 POS., STUD WITH THREAD UNC 4-40	3-1740197-2	3-1740197-5
	PIN HEADER, 15 POS., BRACKET WITH THREAD UNC4-40	1-1740197-2	1-1740197-5
5	PIN HEADER, 15 POS., BRACKET WITH HOLE Ø3.1	0-1740197-2	0-1740197-5
	DESCRIPTION	SHELL PLATING: TIN OVER Ni	SHELL PLATING: Ni



REMARKS:
 CONTACT AREA: min. 0.8µm Au OVER 1.27 µm Ni,
 SOLDER AREA: 3-5 µm Sn OVER min. 1.27 µm Ni
 2 PACKAGING SEE SHEET 2
 3 CONNECTOR SUITABLE TO LEAD-FREE SMT SOLDER PROCESS
 TIN OVER NICKEL
 OBSOLETE

BEMERKUNGEN:
 KONTAKTBEREICH: min. 0.8µm Au UEBER 1.27 µm Ni,
 LOETBEREICH: 3-5 µm Sn UEBER min. 1.27 µm Ni
 2 VERPACKUNGSART SIEHE BLATT 2
 3 STECKER GEEIGNET FÜR BLEIFREIES LOETEN
 ZINN UEBER NICKEL
 UBERHOLT



POS.	QTY.	DESCRIPTION BENENNUNG	SURFACE OBERFLAECHE COLOUR/FARBE	MATERIAL
6	2	THREAD STUD GEWINDEBOLZEN	NICKEL NICKEL	STEEL STAHL
5	8	PIN CONTACT, SMD, LONG STIFTKONTAKT, SMD, LANG		CuMg
4	7	PIN CONTACT, SMD, SHORT STIFTKONTAKT, SMD, KURZ		CuMg
3	2	BRACKET, SMD, LEFT/RIGHT WINKELSTUECK, SMD, LINKS/RECHTS		CAST METAL DRUCKGUSS
2	1	PIN HOUSING STIFTGEHAEUSE	BLACK SCHWARZ	PCT-GF
1	1	SHELL SCHIRMBLECH	SEE TABLE SIEHE TABELLE	STEEL STAHL

THIS DRAWING IS A CONTROLLED DOCUMENT.
 DIESES ZEICHNUNGSDOKUMENT IST EIN KONTROLLIERTES DOKUMENT.
 ANY CHANGES MUST BE MADE IN ACCORDANCE WITH THE
 ANWENDUNG DER VERFAHRENSSCHRIFFTEN UND SYSTEME.

DATE: 30NOV2004
 DWG: L.SCHLUETER
 CHK: M.SCHAARSCHEIDT
 NAME: G. ELDMEIER
 DATE: 01DEC2004

PRODUCT SPEC: 108-94.000
 APPLICATION SPEC: VERARBEITUNGSSPEZ.

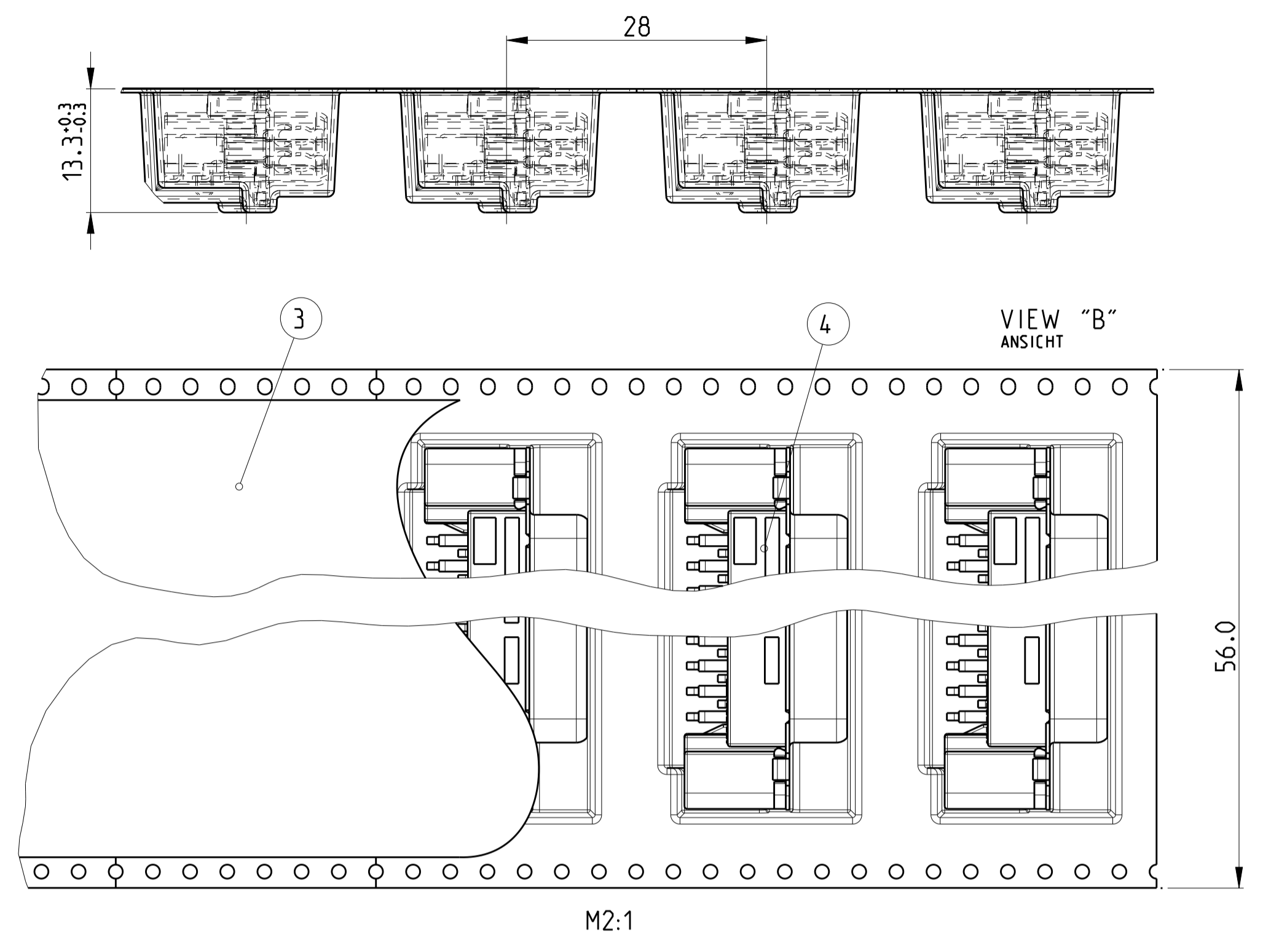
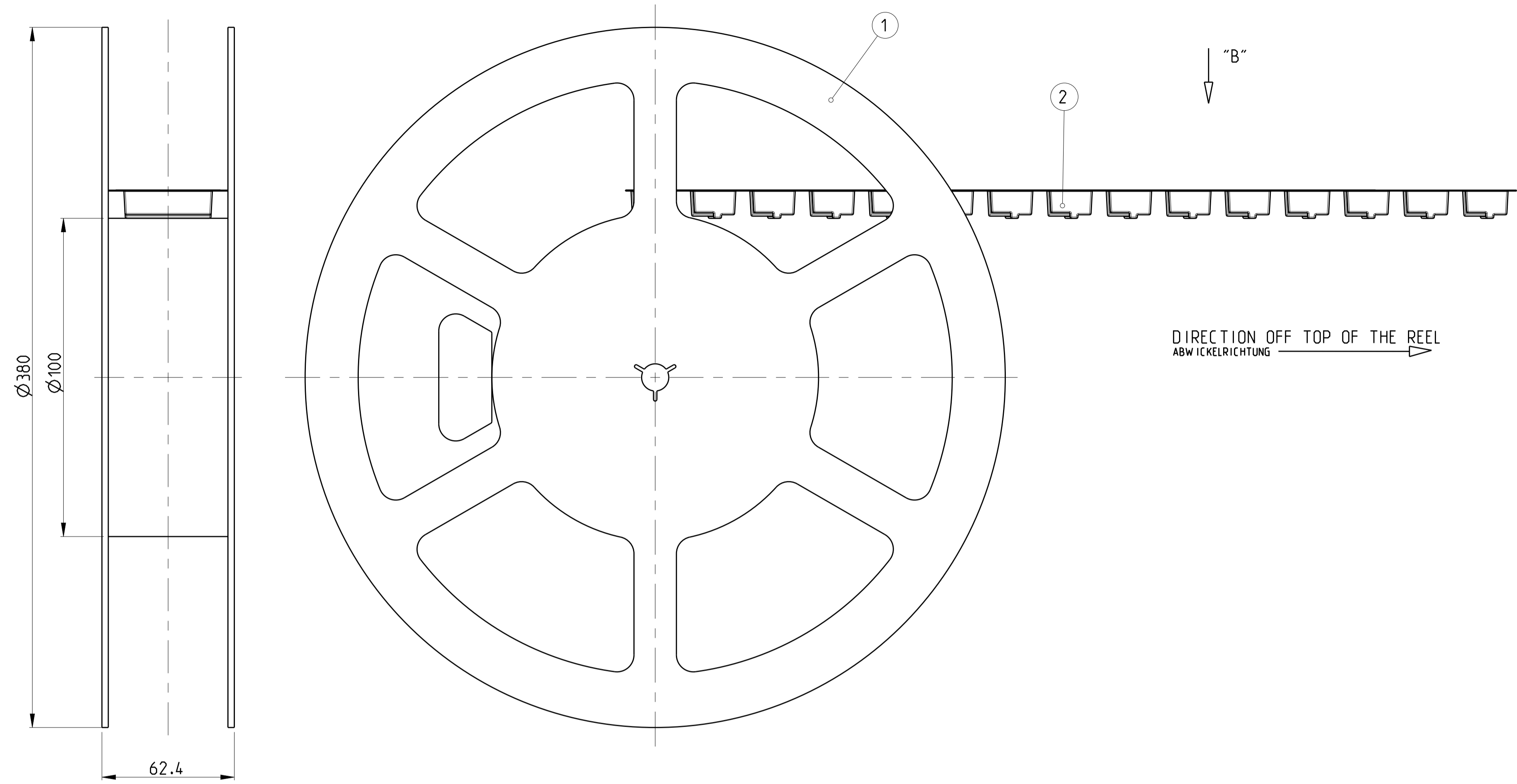
SCALE: 4:1
 SHEET: 1 OF 2
 REV: F

STE TE Connectivity

HDP20 PIN HEADER, SMT, 15 POS.
 HDP20 STIFTLISTE, SMT, 15 POL.
 EUROSTYLE

SIZE: A1
 CAGE CODE: -
 DRAWING NO: 1740197

REVISIONS				
P	LTR	DESCRIPTION	DATE	APVD
-	-	SEE SHEET 1	-	-



REMARKS:

- 1 COVER TAPE WITH BLISTER BELT WELDED OR PASTED
 - 2 BLISTER BELT, COVER AND TAPE ACC. TO DIN/IEC 286 PART 3
 - 3 FIRST AND LAST RUNNING OF THE CARRIER TAPE ACC. TO DIN/IEC 286 PART 3
 - 4 7.0m BLISTERBELT AND 7.1m COVER TAPE, 225 LOOSE PIECE PARTS
- ⚠ OBSOLETE

BEMERKUNGEN:

- 1 ABDECKBAND MIT BLISTERGURT VERSCHWEISST ODER VERKLEBT
 - 2 BLISTERGURT, ABDECKBAND UND REEL NACH DIN/IEC 286 TEIL 3
 - 3 VOR- UND NACHLAUF AM BLISTERGURT NACH DIN/IEC 286 TEIL 3
 - 4 7.0m BLISTERGURT UND 7.1m ABDECKBAND, 225 EINZELTEILE
- ⚠ UBERHOLT

1740197	POS.	PARTS					DESCRIPTION BENENNUNG	SURFACE OBERFLAECHE COLOUR/FARBE	MATERIAL
		4-1740197-5	3-1740197-5	2-1740197-5	1-1740197-5	0-1740197-5			
4	225	-	-	-	-	SUB-D PIN HEADER, 15 POS., STUD M3	-	-	
4	-	225	-	-	-	SUB-D STIFTSTECKER, 15 POL., BOLZEN M3	-	-	
4	-	-	225	-	-	SUB-D PIN HEADER, 15 POS., STUD UNC4-40	-	-	
4	-	-	-	225	-	SUB-D STIFTSTECKER, 15 POL., BOLZEN UNC4-40	-	-	
4	-	-	-	-	225	SUB-D PIN HEADER, 15 POS., M3	-	-	
4	-	-	-	-	225	SUB-D STIFTSTECKER, 15 POL., M3	-	-	
4	-	-	-	-	225	SUB-D PIN HEADER, 15 POS., UNC4-40	-	-	
4	-	-	-	-	225	SUB-D STIFTSTECKER, 15 POL., UNC4-40	-	-	
3	7.1m	7.1m	7.1m	7.1m	7.1m	COVER BELT FOR BLISTER BELT	TRANSPARENT	PET	
2	7m	7m	7m	7m	7m	BLISTER BELT	GREY/BLACK	PS	
1	1	1	1	1	1	REEL	GREY	PS	

THIS DRAWING IS A CONTROLLED DOCUMENT. DWG: L.SCHLUETER, 30NOV2004. CHK: M.SCHAARSCHMIDT, 01DEC2004. APVD: G.FELDMEIER, 01DEC2004.

DIMENSIONS: mm. TOLERANCES UNLESS OTHERWISE SPECIFIED: 0 PLC ±, 1 PLC ±, 2 PLC ±, 3 PLC ±, 4 PLC ±, ANGLES FINISH ±.

MATERIAL: SEE TABLE S.TABELLE. FINISH: SEE TABLE S.TABELLE.

WEIGHT: -. CUSTOMER DRAWING: A1. SCALE: 1:1. SHEET: 2 OF 2. REV: F.

STE TE Connectivity
HDP20 PIN HEADER, SMT, 15 POS.
HDP20 STIFTLISTE, SMT, 15 POL.
EUROSTYLE

X-ON Electronics

Largest Supplier of Electrical and Electronic Components

Click to view similar products for [D-Sub Standard Connectors](#) category:

Click to view products by [TE Connectivity](#) manufacturer:

Other Similar products are found below :

[DCM37S732N](#) [DAM15P500](#) [DEV09S364GTLF](#) [DEM09P032N](#) [DDM50P732N](#) [DAM15S332N](#) [173109-2218](#) [173109-2466](#) [173109-2469](#)
[173109-2435](#) [56F706-005-LI](#) [56F711-015](#) [015-0341-000](#) [017041-0005](#) [012-9507-114](#) [012-9534-001](#) [609-25P](#) [M24308/2-23Z](#) [M243082310F](#)
[M24308/2-36Z](#) [M243082411F](#) [M24308315F](#) [M24308/4-21](#) [M243084437F](#) [CT0M22-23SS](#) [CT1N36-5SC](#) [CT2-16S-17PS](#) [CT2-20-15PCAU](#)
[CT2-24-12PS](#) [CT2-24-28PSF127A206](#) [CT6F9767-14-4-14S-5PC](#) [CT7-18-10SC](#) [CT7-18-10SCAU](#) [CT7-18-12SCAU](#) [CT7-18-1PC](#) [CT7-18-](#)
[1PCAU](#) [CT7-18-1SC](#) [CT7-18-21SCAU](#) [CT9-16-12PS](#) [M83513/01-FC](#) [M83723/76W24619 L/C](#) [M85049/48-3-2F](#) [69001-865](#)
[6STD09PCM99B70X](#) [6STD09SCM99B30X](#) [6STD09SCT99S40X](#) [6STD15PCT99S40X](#) [6STD15SCM99B30X](#) [6STD15SCT99S40X](#)
[6STF09PCM05B70X](#)