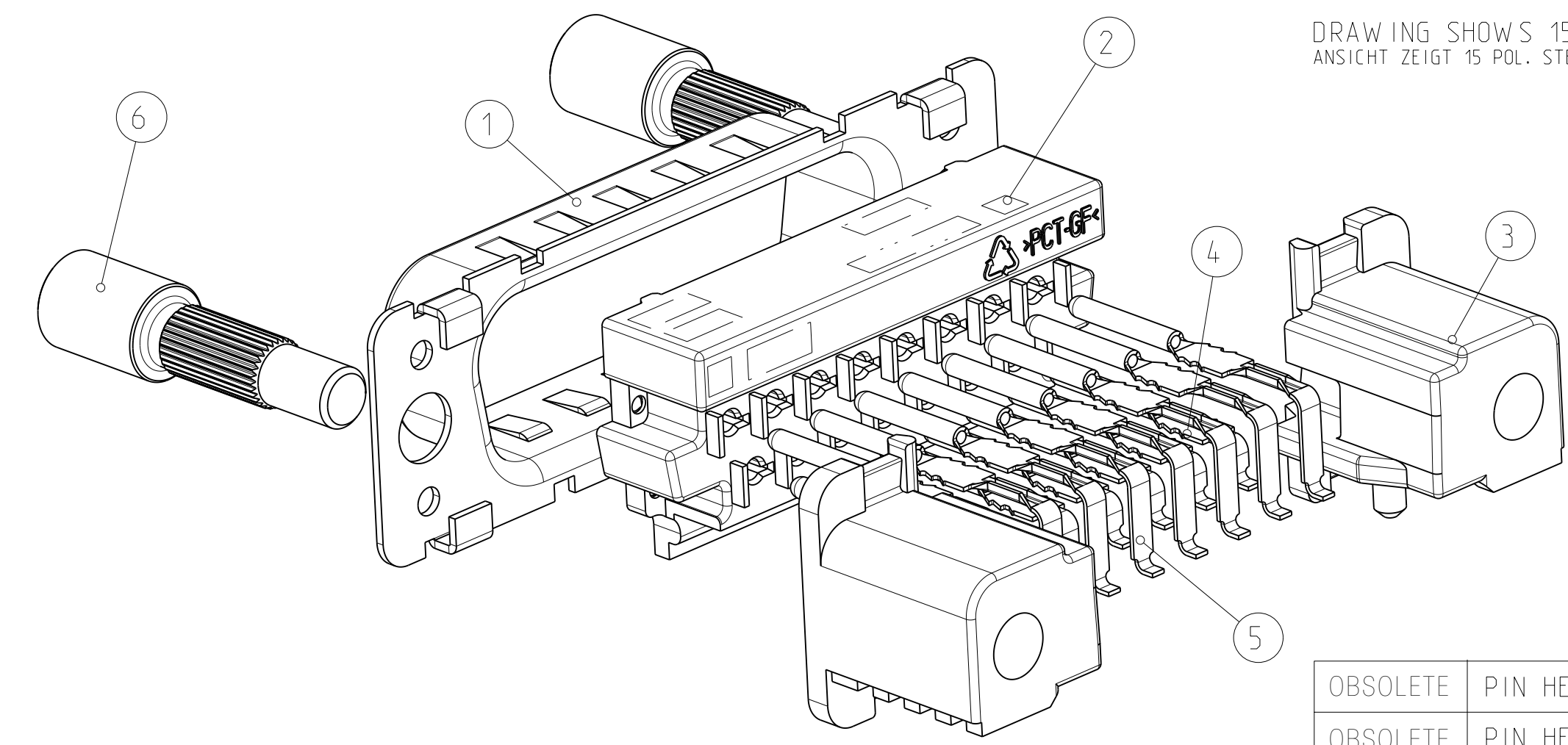
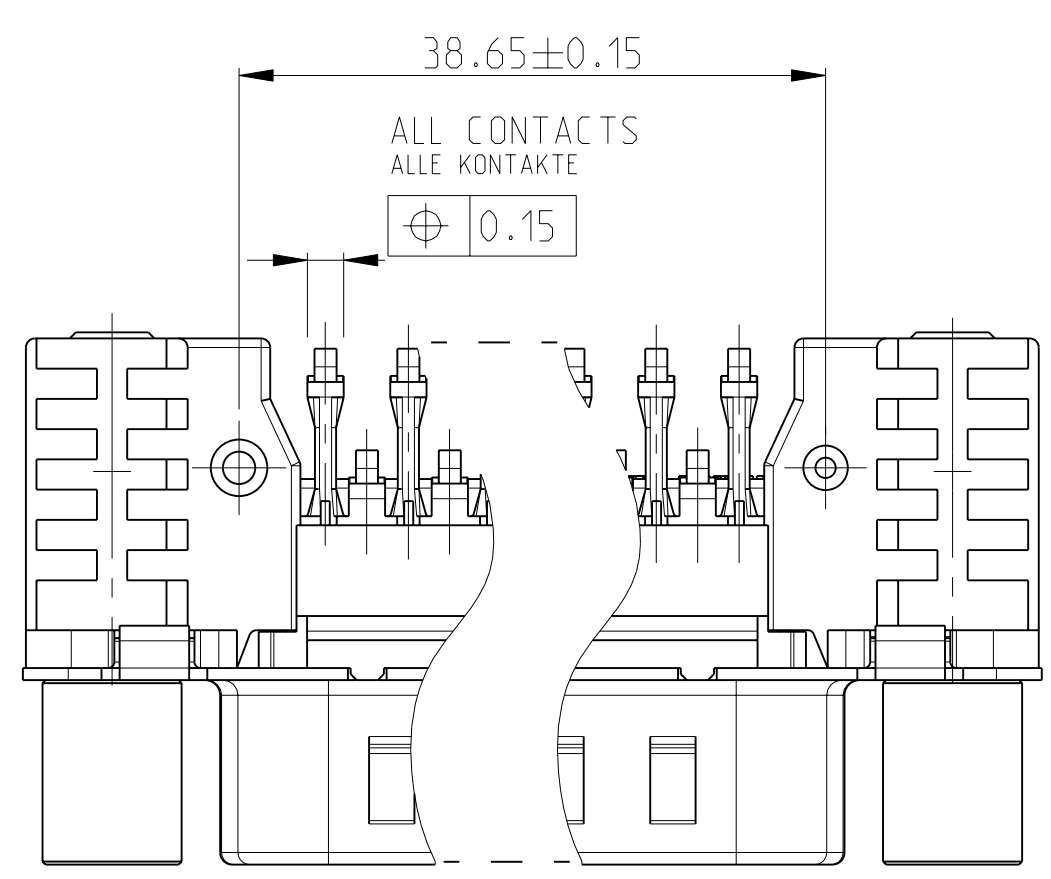
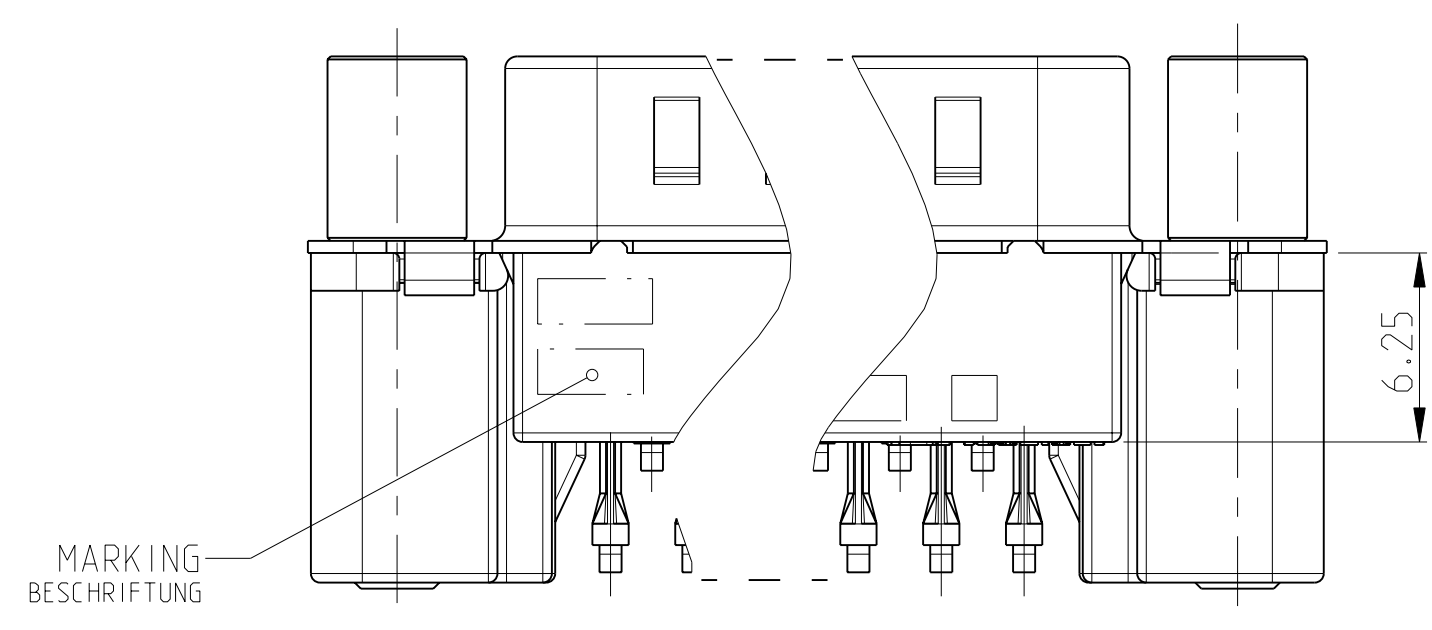
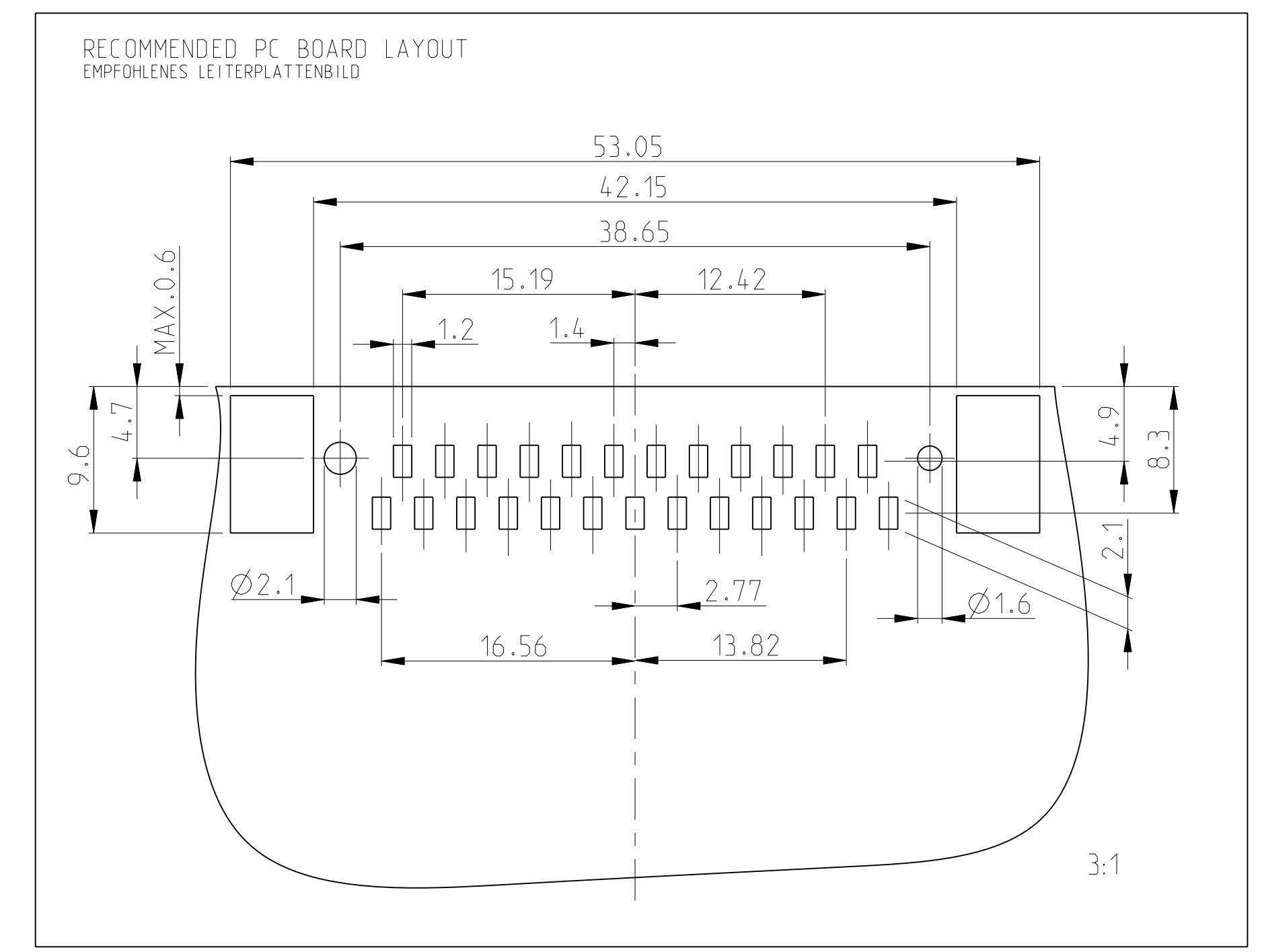
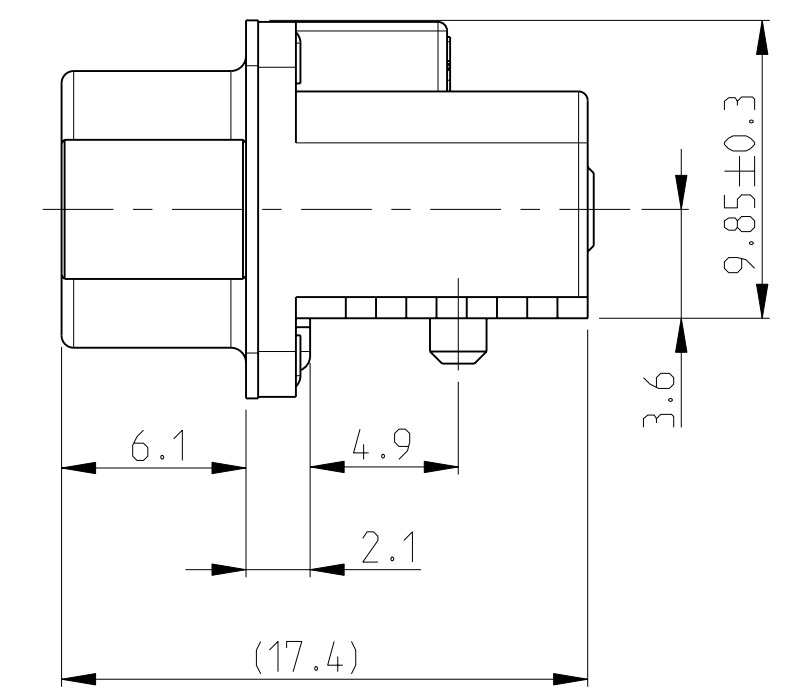
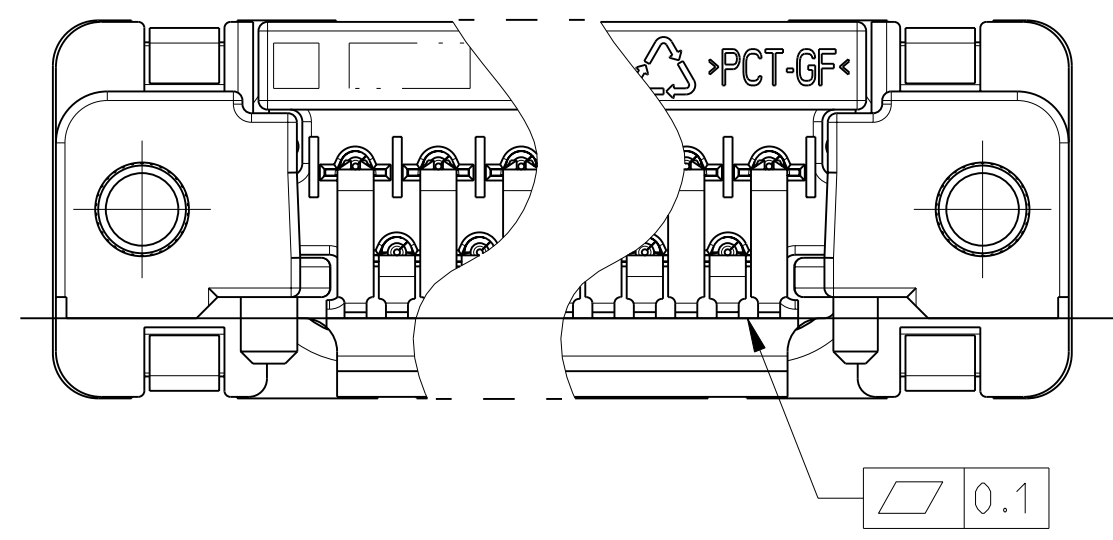


LOC	DIST	REV	DATE	BY	APPV
A1	-				
PROJECT NO. EGGMND3028		C1	06APR2010	-	-
		D	29SEP10	RK	KMA
		E	29FEB2012	CJW	SLB



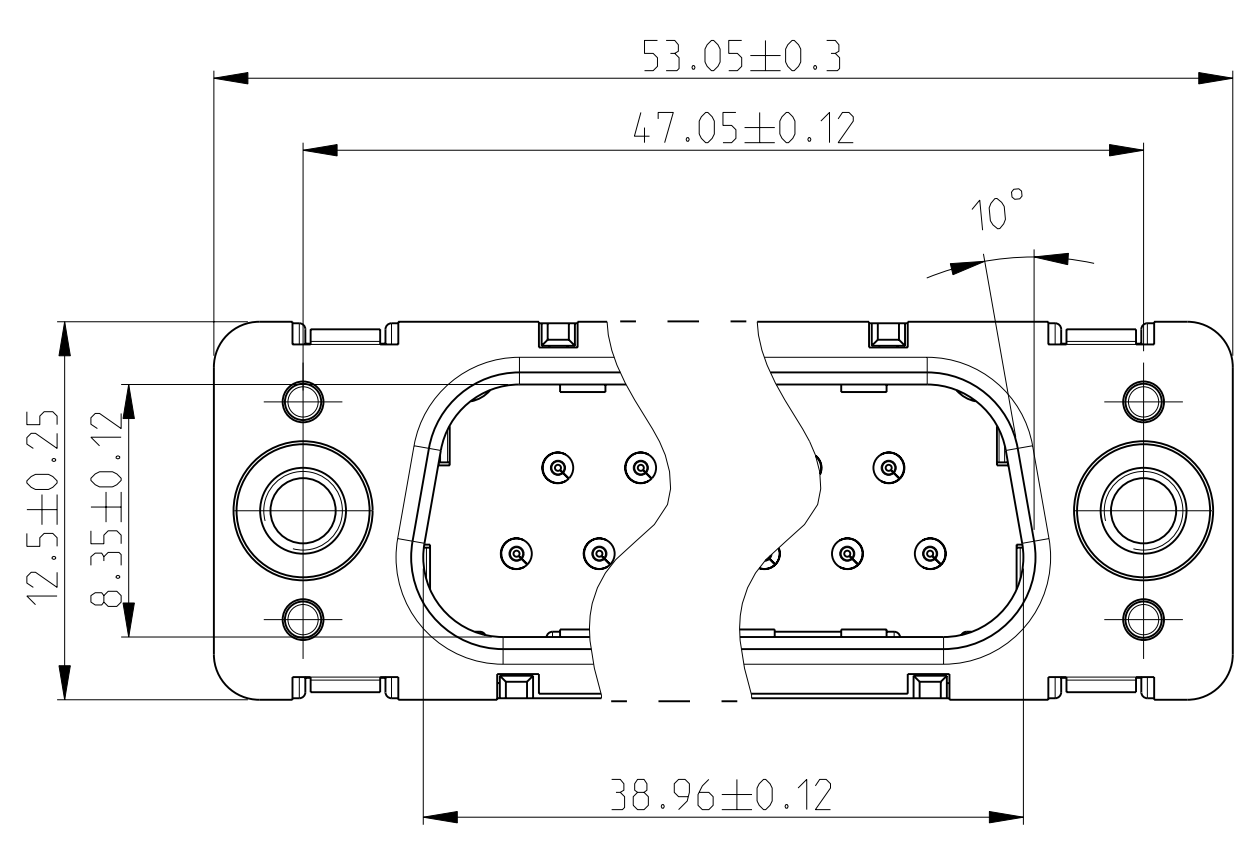
DRAWING SHOWS 15 POS. CONNECTOR
 ANSICHT ZEIGT 15 POL. STECKER

OBSOLETE	PIN HEADER, 25 POS., STUD WITH THREAD M3	4-1740199-2	4-1740199-5
OBSOLETE	PIN HEADER, 25 POS., BRACKET WITH THREAD M3	2-1740199-2	2-1740199-5
	PIN HEADER, 25 POS., STUD WITH THREAD UNC 4-40	3-1740199-2	3-1740199-5
	PIN HEADER, 25 POS., BRACKET WITH THREAD UNC 4-40	1-1740199-2	1-1740199-5
OBSOLETE	PIN HEADER, 25 POS., BRACKET WITH HOLE Ø3.1	0-1740199-2	0-1740199-5
	DESCRIPTION	SHELL PLATING: TIN OVER NI	SHELL PLATING: Ni



- REMARKS:
- ⚠ CONTACT AREA: min. 0.8µm Au OVER 1.27 µm Ni. SOLDER AREA: 3-5 µm Sn OVER min. 1.27 µm Ni
 - 2 PACKAGING SEE SHEET 2
 - 3 CONNECTOR SUITABLE TO LEAD-FREE SMT SOLDER PROCESS
 - ⚠ TIN OVER NICKEL

- BEMERKUNGEN:
- ⚠ KONTAKTBEREICH: min. 0.8µm Au UEBER 1.27 µm Ni. LOETBEREICH: 3-5 µm Sn UEBER min. 1.27 µm Ni
 - 2 VERPACKUNGSART SIEHE BLATT 2
 - 3 STECKER GEEIGNET FUER BLEIFREIES LOETEN
 - ⚠ ZINN UEBER NICKEL

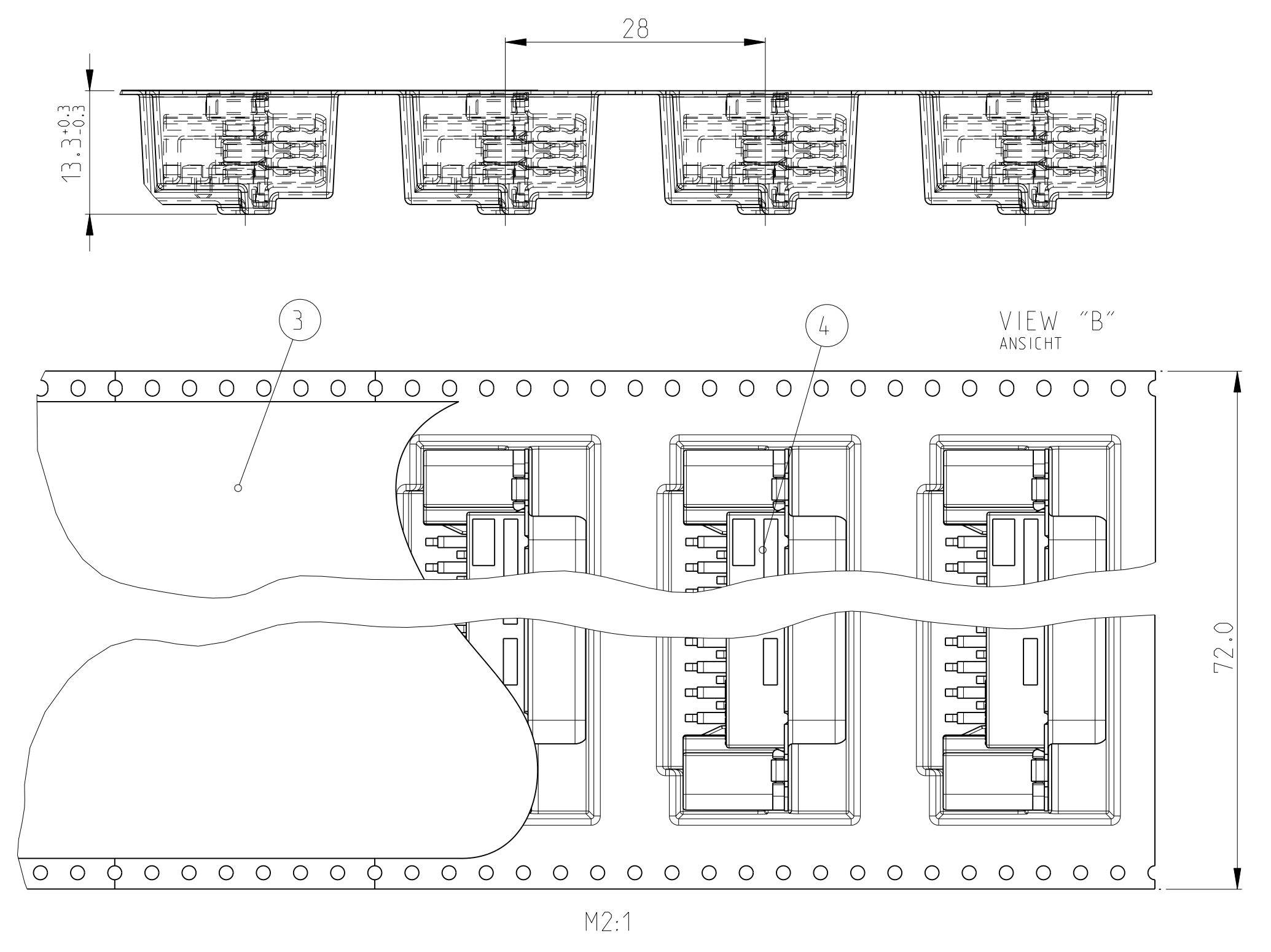
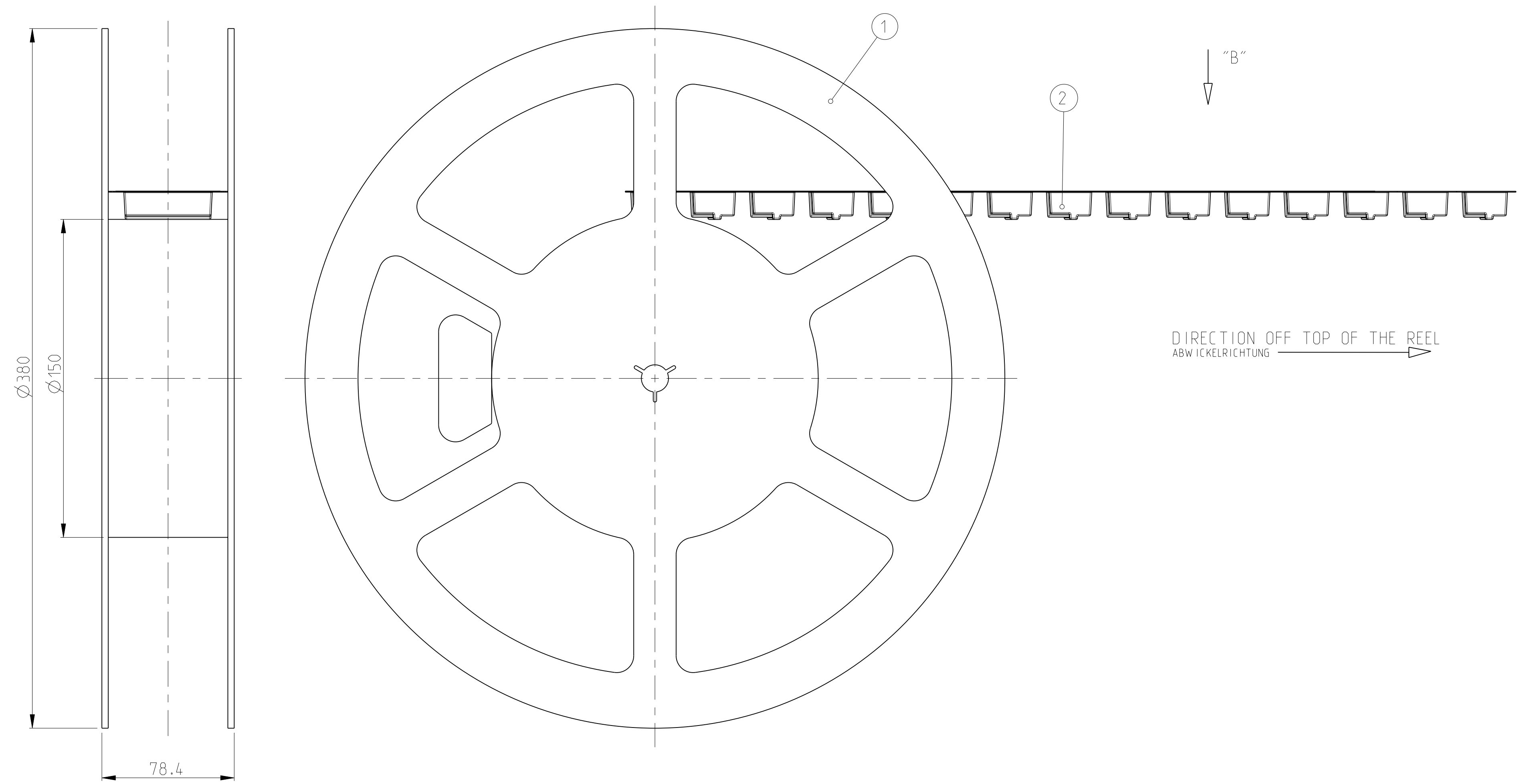


POS.	QTY.	DESCRIPTION BENENNUNG	SURFACE OBERFLAECHE COLOUR/FARBE	MATERIAL
6	2	THREAD STUD GEWINDEBOLZEN	NICKEL NICKEL	STEEL STAHL
5	13	PIN CONTACT, SMD, LONG STIFTKONTAKT, SMD, LANG	⚠	CuMg
4	12	PIN CONTACT, SMD, SHORT STIFTKONTAKT, SMD, KURZ	⚠	CuMg
3	2	BRACKET, SMD, LEFT/RIGHT W INKELSTUECK, SMD, LINKS/RECHTS	⚠	CAST METAL DRUCKGUSS
2	1	PIN HOUSING STIFTGEHAUSE	BLACK SCHWARZ	PCT-GF
1	1	SHELL SCHIRMBLECH	SEE TABLE SIEHE TABELLE	STEEL STAHL

DIMENSIONS MASSENEIEN: (mm)	TOLERANCES, UNLESS OTHERWISE SPECIFIED: ALLGEMEINTOLERANZEN	DWN I. SCHLUETER 30NOV2004	Tyco Electronics Tyco Electronics AMP GmbH 64225 Bensheim (Germany)
0 PLC ± 1 PLC ± 2 PLC ± 3 PLC ± 4 PLC ±	±0.2	NAME GLEIFELDMEIER 01DEC2004	SIZE A1
MATERIAL SEE TABLE S. TABELLE	FINISH/SURFLAECHE/FARBE SEE TABLE S. TABELLE	PRODUCT SPEC 108-94.000 APPLICATION SPEC VERARBEITUNGSSEZ.	DRAWING NO. 1740199
CUSTOMER DRAWING		WEIGHT GEWICHT	RESTRICTED TO NUR FUER

LOC	DIST	REV	DATE	BY	APPV
A1	-	1	-	-	-

REV	DATE	BY	APPV
-	-	-	-



- REMARKS:
- COVER TAPE WITH BLISTER BELT WELDED OR PASTED
 - BLISTER BELT, COVER AND TAPE ACC. TO DIN/IEC 286 PART 3
 - FIRST AND LAST RUNNING OF THE CARRIER TAPE ACC. TO DIN/IEC 286 PART 3
 - 6.4m BLISTERBELT AND 6.5m COVER TAPE, 200 LOOSE PIECE PARTS

- BEMERKUNGEN:
- ABDECKBAND MIT BLISTERGURT VERSCHWEISST ODER VERKLEBT
 - BLISTERGURT, ABDECKBAND UND REEL NACH DIN/IEC 286 TEIL 3
 - VOR- UND NACHLAUF AM BLISTERGURT NACH DIN/IEC 286 TEIL 3
 - 6.4m BLISTERGURT UND 6.5m ABDECKBAND, 200 EINZELTEILE

4-1740199-5	3-1740199-5	2-1740199-5	1-1740199-5	0-1740199-5
OBSOLETE	OBSOLETE	OBSOLETE	OBSOLETE	OBSOLETE

TE ORDER NO. BESTELL-NR.	POS.	QTY	UNIT	DESCRIPTION	SURFACE OBERFLAECHE COLOUR/FARBE	MATERIAL		
1740199	4	200	-	SUB-D PIN HEADER, 25 POS., STUD M3	-	-		
	4	-	200	SUB-D STIFTSTECKER, 25 POL., BOLZEN M3	-	-		
	4	-	200	SUB-D PIN HEADER, 25 POS., STUD UNC4-40	-	-		
	4	-	-	SUB-D STIFTSTECKER, 25 POL., BOLZEN UNC4-40	-	-		
	4	-	-	SUB-D PIN HEADER, 25 POS., M3	-	-		
	4	-	-	SUB-D STIFTSTECKER, 25 POL., UNC4-40	-	-		
3	6.5m	6.5m	6.5m	6.5m	6.5m	COVER BELT FOR BLISTER BELT	TRANSPARENT	PET
2	6.4m	6.4m	6.4m	6.4m	6.4m	BLISTER BELT	GREY/BLACK	PS
1	1	1	1	1	1	REEL	GREY	PS

DIMENSIONS: mm 	TOLERANCES UNLESS OTHERWISE SPECIFIED: 0 PLC ± 1 PLC ± 2 PLC ± 3 PLC ± 4 PLC ± ANGLES °	DWN: 30NOV2004 CHK: M.SCHAARSCHMIDT APVD: G.FELDMEIER NAME: HDP20 PIN HEADER, SMT, 25 POS. HDP20 STIFTLAECHE, SMT, 25 POL. EUROSTYLE PRODUCT SPEC: 108-94000 APPLICATION SPEC: - WEIGHT: - CUSTOMER DRAW ING: -	Tyco Electronics AMP GmbH 64625 Bensheim (Germany) SCALE: 5:1 SHEET: 2 OF 2 REV: E
--------------------	---	--	--

X-ON Electronics

Largest Supplier of Electrical and Electronic Components

Click to view similar products for [D-Sub Standard Connectors](#) category:

Click to view products by [TE Connectivity](#) manufacturer:

Other Similar products are found below :

[56F711-015](#) [012-9507-004](#) [LV242999-142T12](#) [015-0341-000](#) [015-0349-000](#) [015-0372-005](#) [015-0372-008](#) [015-8755-001](#) [020419-0104](#) [012-0467-000](#) [012-0515-000](#) [012-9507-034](#) [012-9507-114](#) [020745-0008](#) [609-25P](#) [M24308/2-23Z](#) [CT2-14S-2PCA34](#) [CT2-18-11PCAU](#) [CT2-36-15SC](#) [CT6-14S-2SC](#) [CT6E14SA7SC](#) [CT6E22-14PC](#) [CT6E22-14PS](#) [CT6E22-22PS](#) [M83513/01-FC](#) [M85049/48-3-2F](#) [6STD09PCM99B70X](#) [6STD09SCM99B30X](#) [6STD09SCT99S40X](#) [6STD15PCT99S40X](#) [6STD15SCM99B30X](#) [6STD15SCT99S40X](#) [6STF09PCM05B70X](#) [7-135760-9](#) [MC11E-10-6SN](#) [747552-3](#) [MD1-21PS](#) [MDM-15SCBRM7-F222](#) [MDM96517-699](#) [MDM96521-744](#) [MDVB1-21SL1](#) [MIK0-1-7SH003](#) [MIKQ6-7SH076](#) [MIKQ7-7PH077](#) [MIKQ7-7PH11](#) [MIKQ7-7PH32](#) [MIKQ9-7PH003](#) [MJSV-28SL61](#) [MKJ4A1F14-55S](#) [8-135760-3](#)