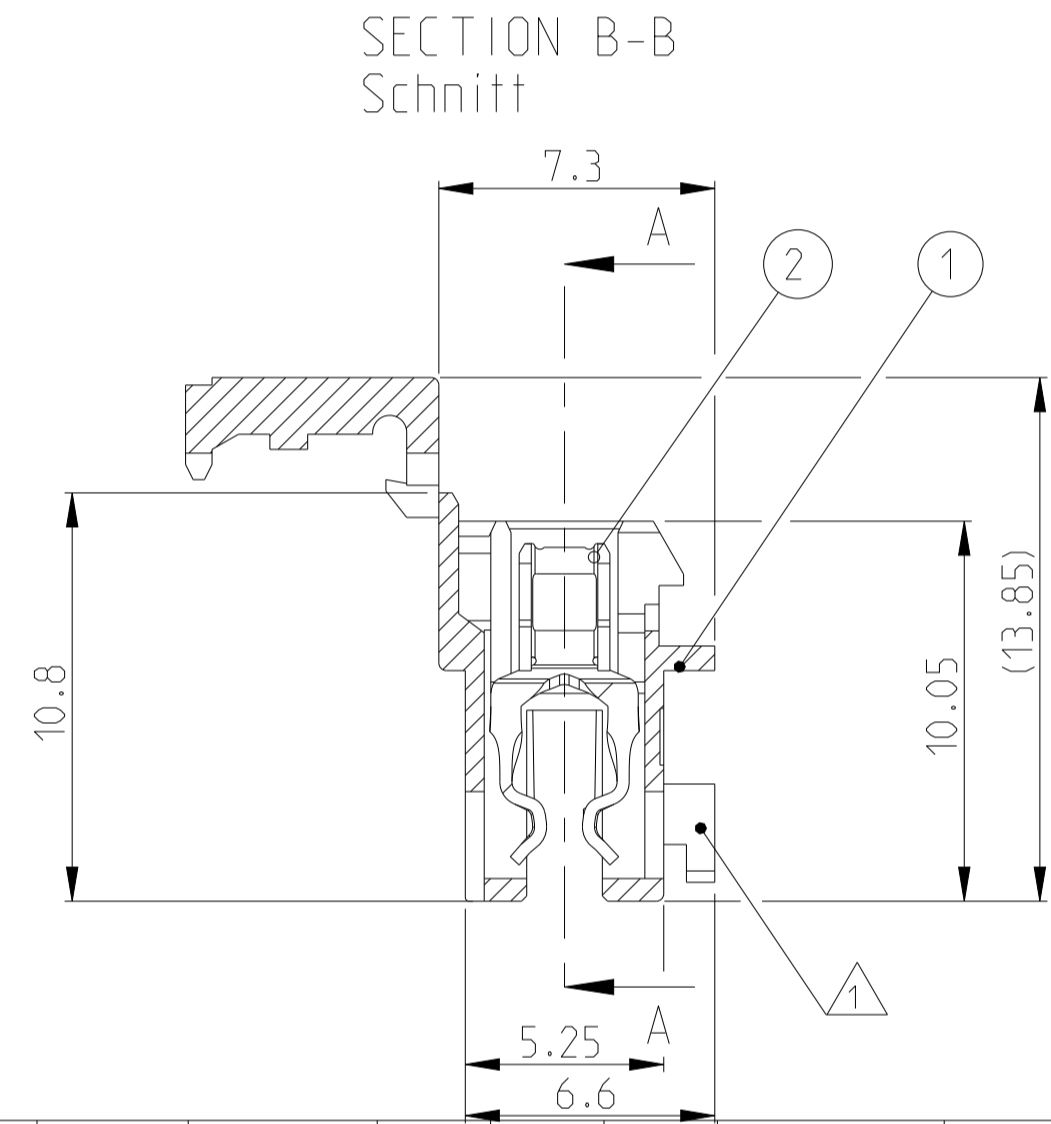
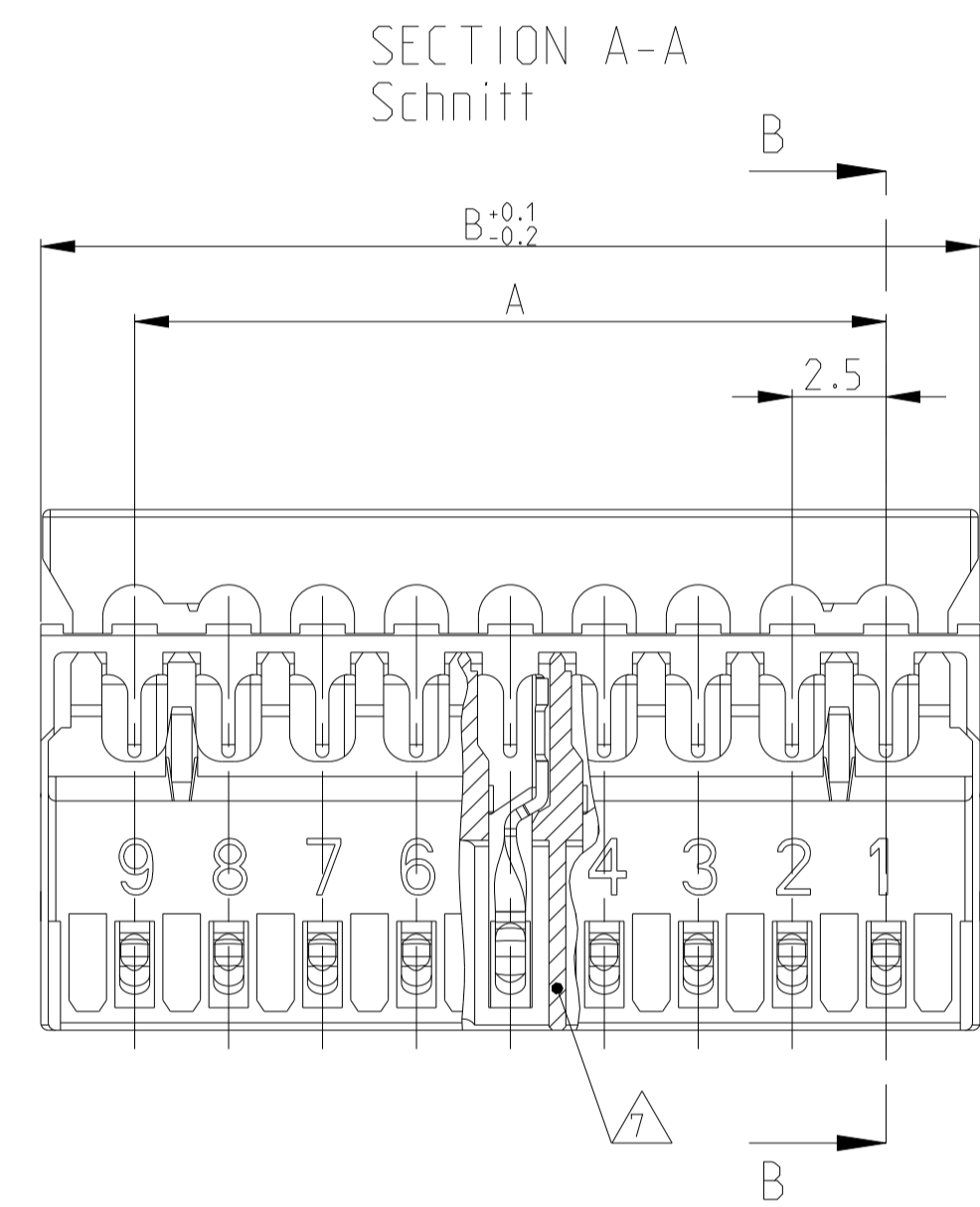
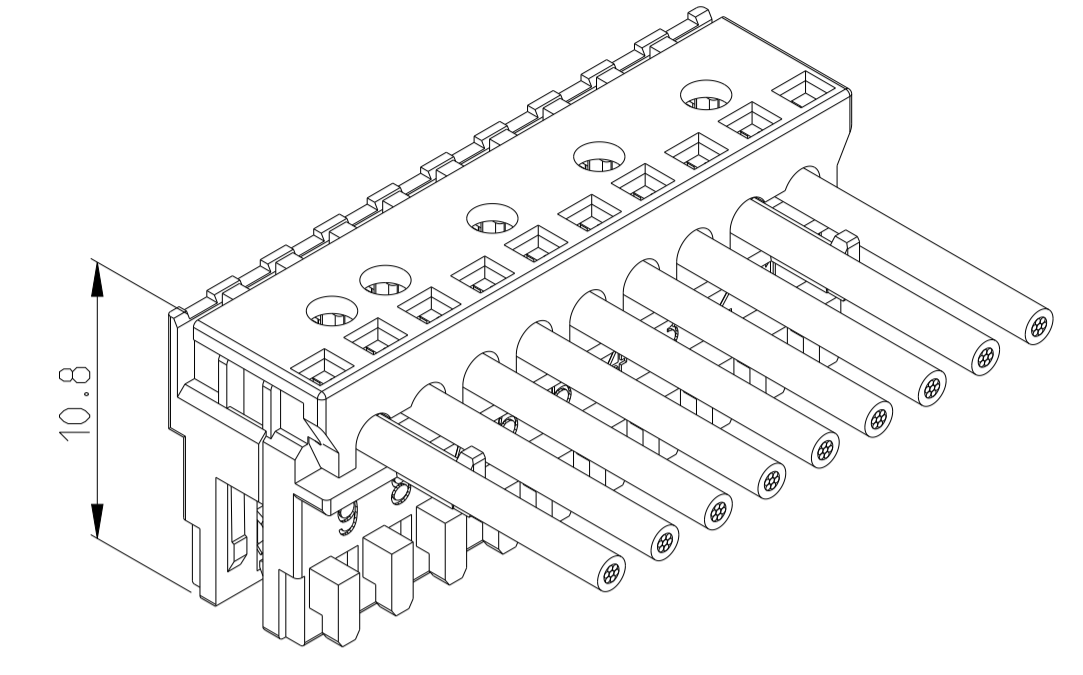
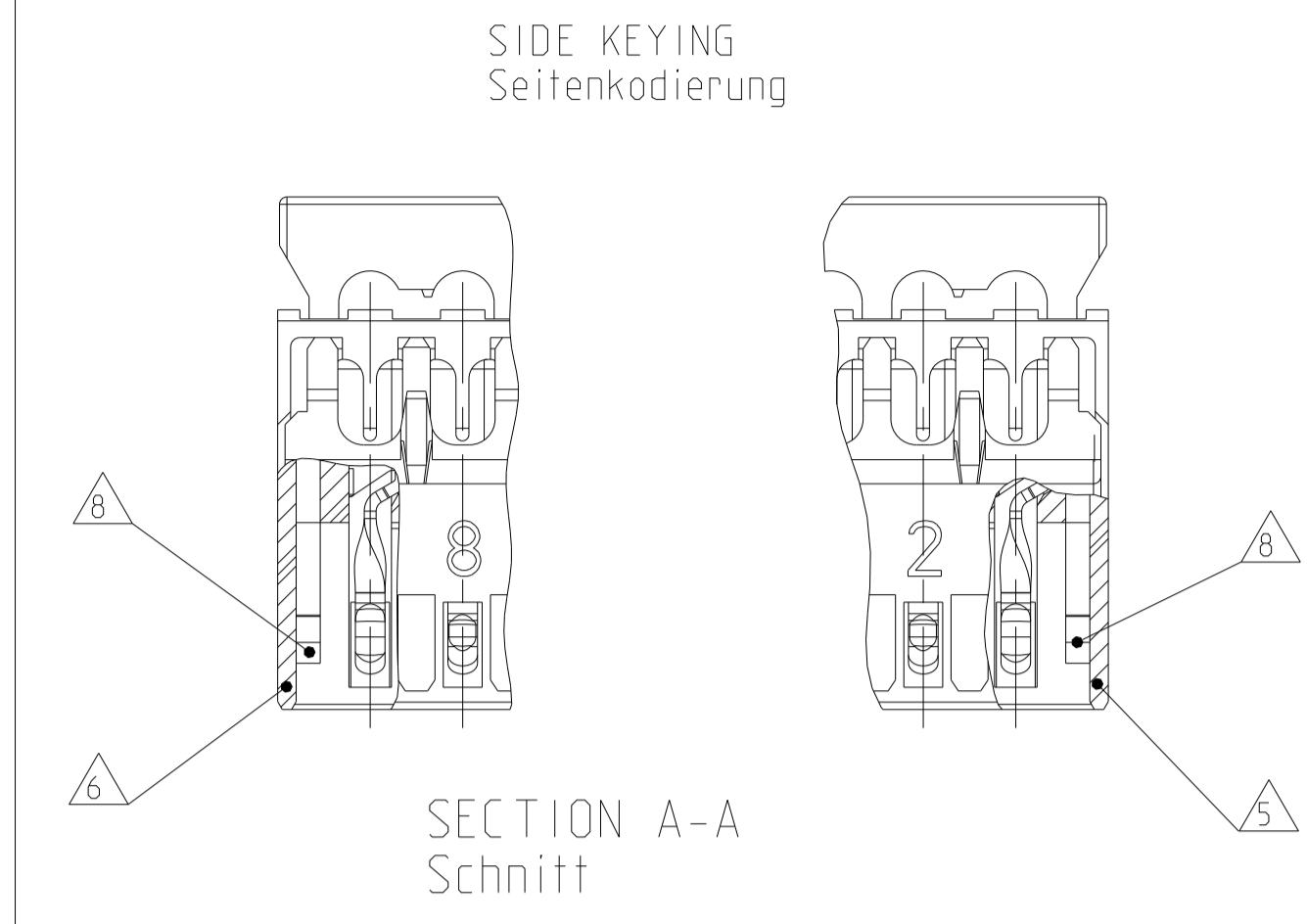
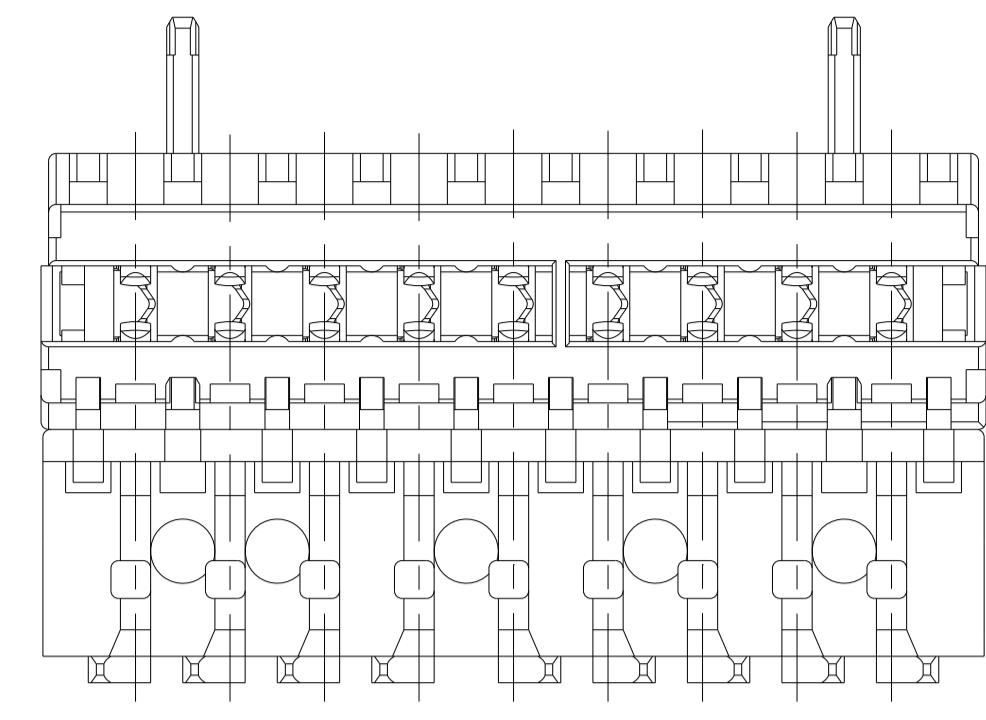
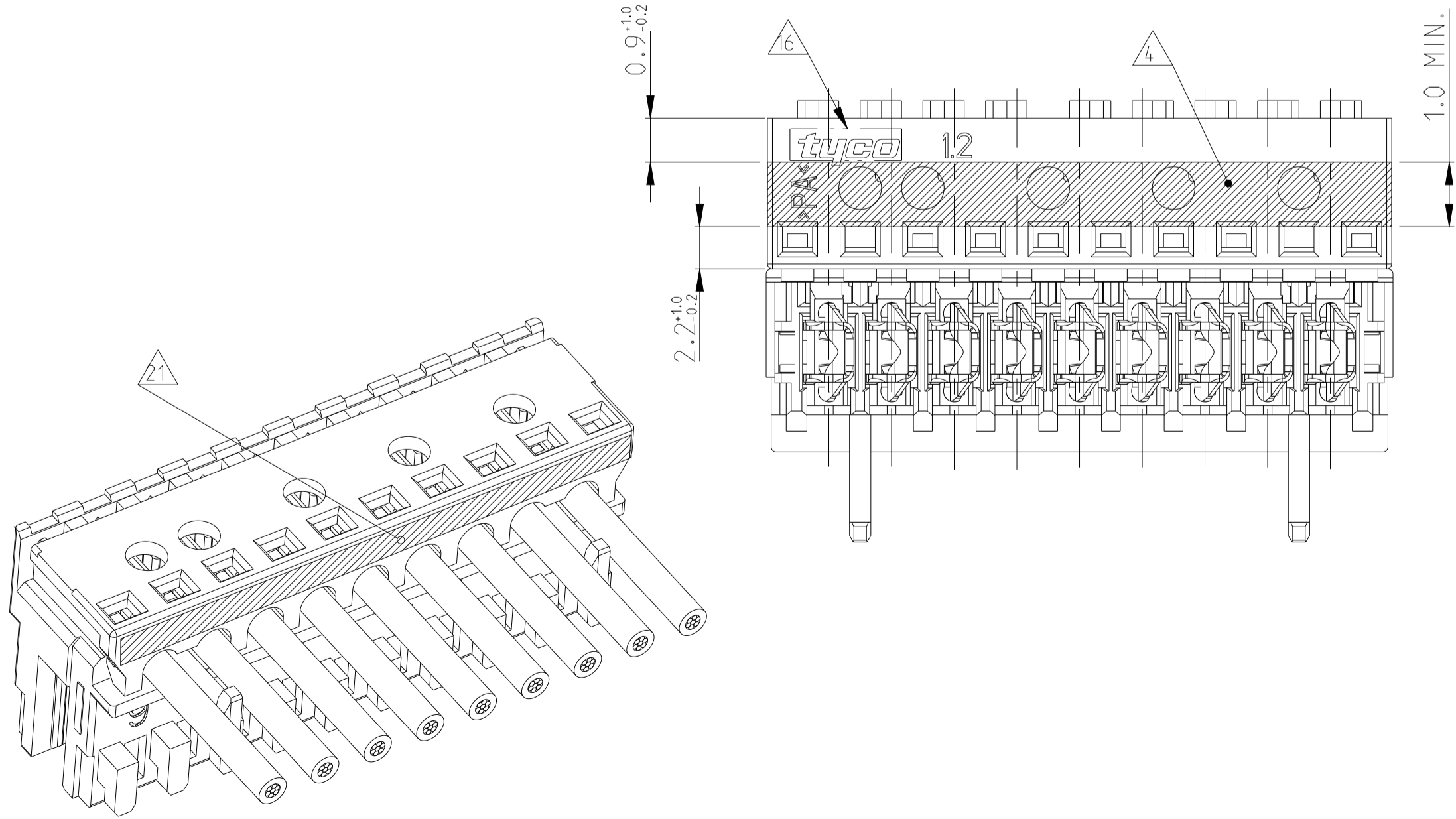
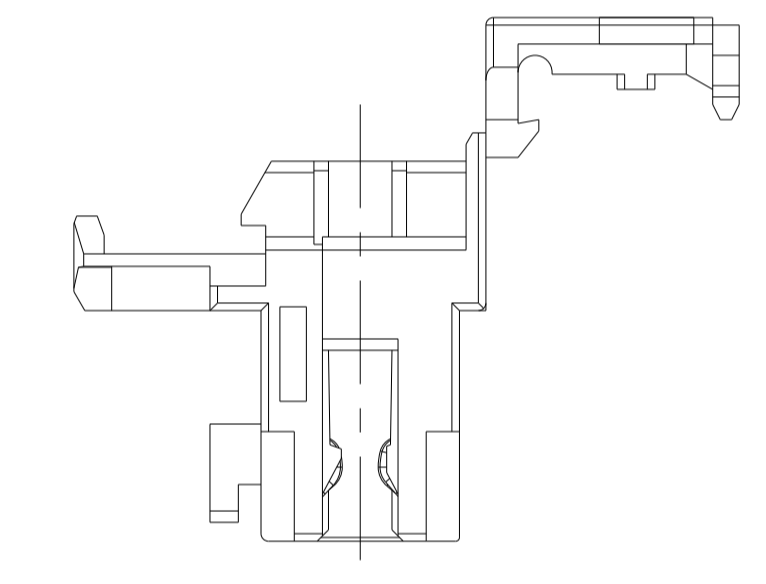


| LOC | | DIST | | REVISIONS | | | |
|-----|---------------|------|--|-----------|-----------|-----|------|
| A1 | | - | | REV | DATE | BY | APPV |
| B19 | ECR-20-100617 | | | | 05NOV2020 | W W | FL |
| B20 | ECR-21-104617 | | | | 10JUN2021 | KD | FL |
| B21 | ECR-21-105810 | | | | 05JUL2021 | SM | FL |



- 21 STRIPE IN YELLOW COLOR WHERE SHOWN PRESENT ON THE PARTS PRODUCED IN TE COLLEGNO ONLY
- 20 OBSOLETE
- 19 SPECIAL PCB LOCKING SEE SHEET 3
- 18 SPECIAL PCB LOCKING SEE SHEET 3
- 17 PRELIMINARY PART NOT YET RELEASED FOR PRODUCTION
- 16 TE LOGO
- 10-15 SEE SHEET 2 Siehe Blatt 2
- 9 IEC 60695-2-11 / IEC 60335-1 GLOW WIRE TEST 750 °C WITHOUT FLAME
IEC 60695-2-11 / IEC 60335-1 Gluehdrahttest 750 °C ohne Flamme
- 8 LOCKING HOOK BEFORE CAVITY NO. 1 AND AFTER LAST CAVITY
Rasthaken vor Kammernummer Nr. 1 und nach letzter Kammer
- 7 ADDITIONAL KEYING RIB BETWEEN CAVITY NO. Zusätzliche Kodierrippe zwischen Kammer Nr.
- 6 SIDE KEYING, ON LAST CAVITY
Seitenkodierung, bei letzter Kammer
- 5 SIDE KEYING, ON CAVITY NO. 1
Seitenkodierung, bei Kammer Nr. 1
- 4 COLOR STRIP ON COVER OF HOUSING. NOT THE COLOR OF HOUSING
- 3 MATING PART: PCB ACCORDING TO SHEET 2 OF 2
Passender Gegenstecker: Leiterplatten siehe Blatt 2 von 2
- 2 WIRE RANGE: 0.22-0.35mm². SEE APPLICATION SPEC. 114-18467
Drahtgroessenbereich: 0.22-0.35mm², siehe Verarbeitungsspec. 114-18467
- 1 KEYING RIBS; CUTTING WITH TERMINATION MACHINE POSSIBLE
Kodierrippe; Schneiden auf der Verarbeitungsmaschine moeglich

| POS. Polzahl | DIM "A" | DIM "B" | KEYING | KEYING | KEYING | LOCKING HOOK | LOCKING HOOK | LOCKING HOOK |
|--------------|---------|---------|--------|--------|--------|--------------|--------------|--------------|
| 20 | 47.5 | 52.4 | | | | | | |
| 19 | 45 | 49.9 | | | | | | |
| 18 | 42.5 | 47.4 | | | | | | |
| 17 | 40 | 44.9 | | | | | | |
| 16 | 37.5 | 42.4 | | | | | | |
| 15 | 35 | 39.9 | | | | | | |
| 14 | 32.5 | 37.4 | | | | | | |
| 13 | 30 | 34.9 | | | | | | |
| 12 | 27.5 | 32.4 | | | | | | |
| 11 | 25 | 29.9 | | | | | | |
| 10 | 22.5 | 27.4 | 2/3 | | | | X | X |
| 9 | 20 | 24.9 | | | | | | |
| 8 | 17.5 | 22.4 | 5/6 | X | X | | | X |
| 7 | 15 | 19.9 | 3/4 | X | X | | | X |
| 6 | 12.5 | 17.4 | 2/3 | X | X | | | X |
| 6 | 12.5 | 17.4 | - | X | X | | | X |
| 5 | 10 | 14.9 | - | - | X | | | X |
| 5 | 10 | 14.9 | - | X | X | | | X |
| 5 | 10 | 14.9 | 4/5 | X | X | | | X |
| 5 | 10 | 14.9 | - | X | - | | | X |
| 4 | 7.5 | 12.4 | - | X | - | | | X |
| 4 | 7.5 | 12.4 | 3/4 | X | X | | | X |
| 4 | 7.5 | 12.4 | - | X | X | | | X |
| 3 | 5.0 | 9.9 | 2/3 | - | - | X | | - |
| 3 | 5.0 | 9.9 | 2/3 | - | X | | | X |
| 3 | 5.0 | 9.9 | 1/2 | X | X | | | X |
| Green | 3 | 5.0 | 9.9 | 1/2 | - | - | | X |
| 3 | 5.0 | 9.9 | 2/3 | X | X | | | X |
| 3 | 5.0 | 9.9 | - | X | X | | | X |
| 3 | 5.0 | 9.9 | - | - | X | | | X |
| Red | 3 | 5.0 | 9.9 | - | X | - | | X |
| Green | 3 | 5.0 | 9.9 | - | X | - | | X |
| 2 | 2.5 | 7.4 | - | - | X | | | X |



THIS DRAWING IS A CONTROLLED DOCUMENT.

DIMENSIONS: mm

TOLERANCES UNLESS OTHERWISE SPECIFIED:

| | |
|--------|------|
| 0 PLC | ±0.2 |
| 1 PLC | ±0.2 |
| 2 PLC | ±0.2 |
| 3 PLC | ±0.2 |
| 4 PLC | ±0.2 |
| ANGLES | ±0.1 |
| FINISH | ±0.1 |

MATERIAL: SEE TABLE

| POS. Polzahl | PN Bestell-Nr. | DESCRIPTION Beschreibung | MATERIAL | COLOUR/FINISH Farbe/Oberflaeche |
|--------------|-------------------------|--------------------------|-----------------|---------------------------------|
| 2 | SEE TABLE siehe Tabelle | CONTACT/Kontakt | CuSn | TINNED/Verzinkt |
| 1 | SEE TABLE siehe Tabelle | HOUSING/Gehaeuse | PA 6 GF UL94V-2 | NATURE/natur |

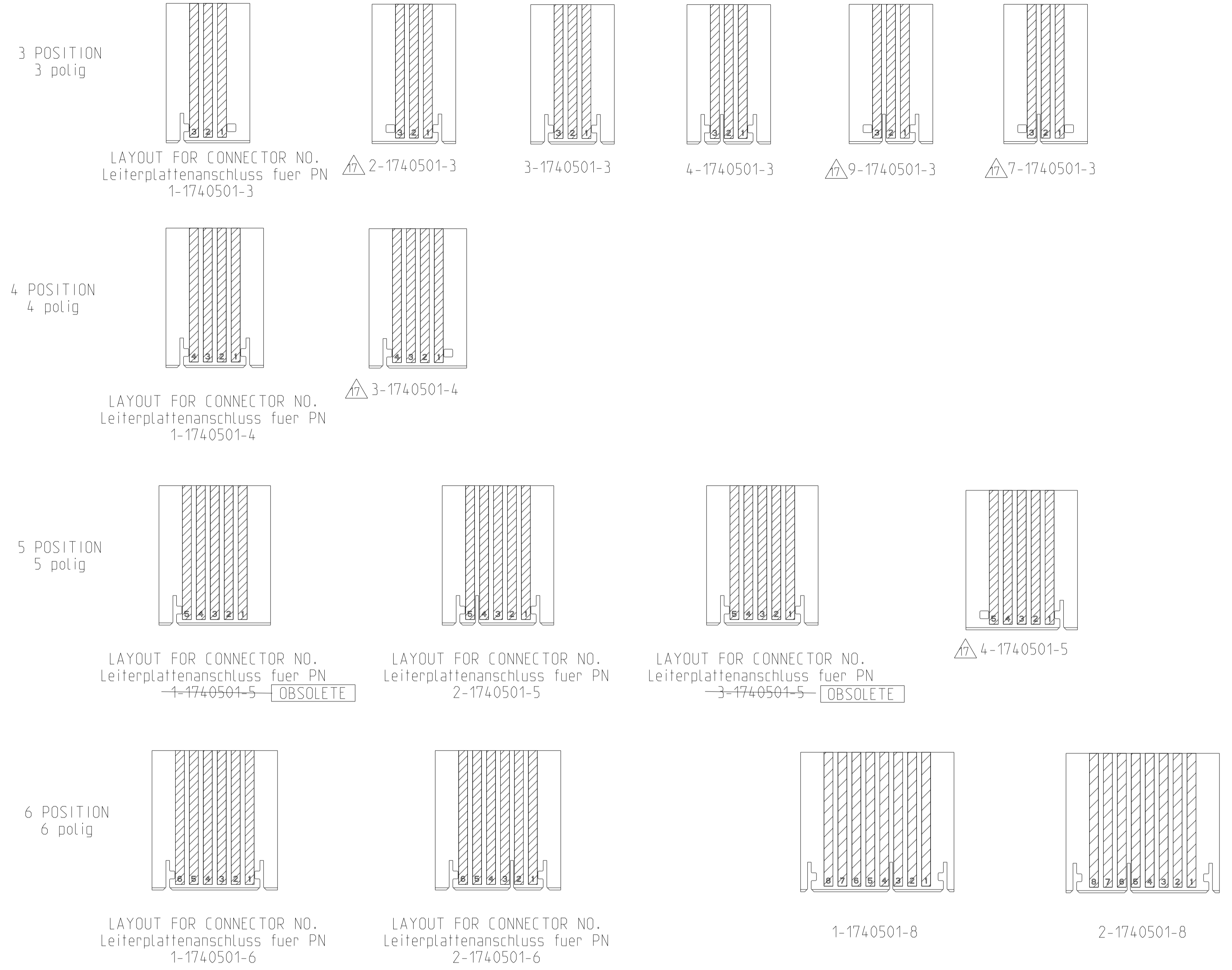
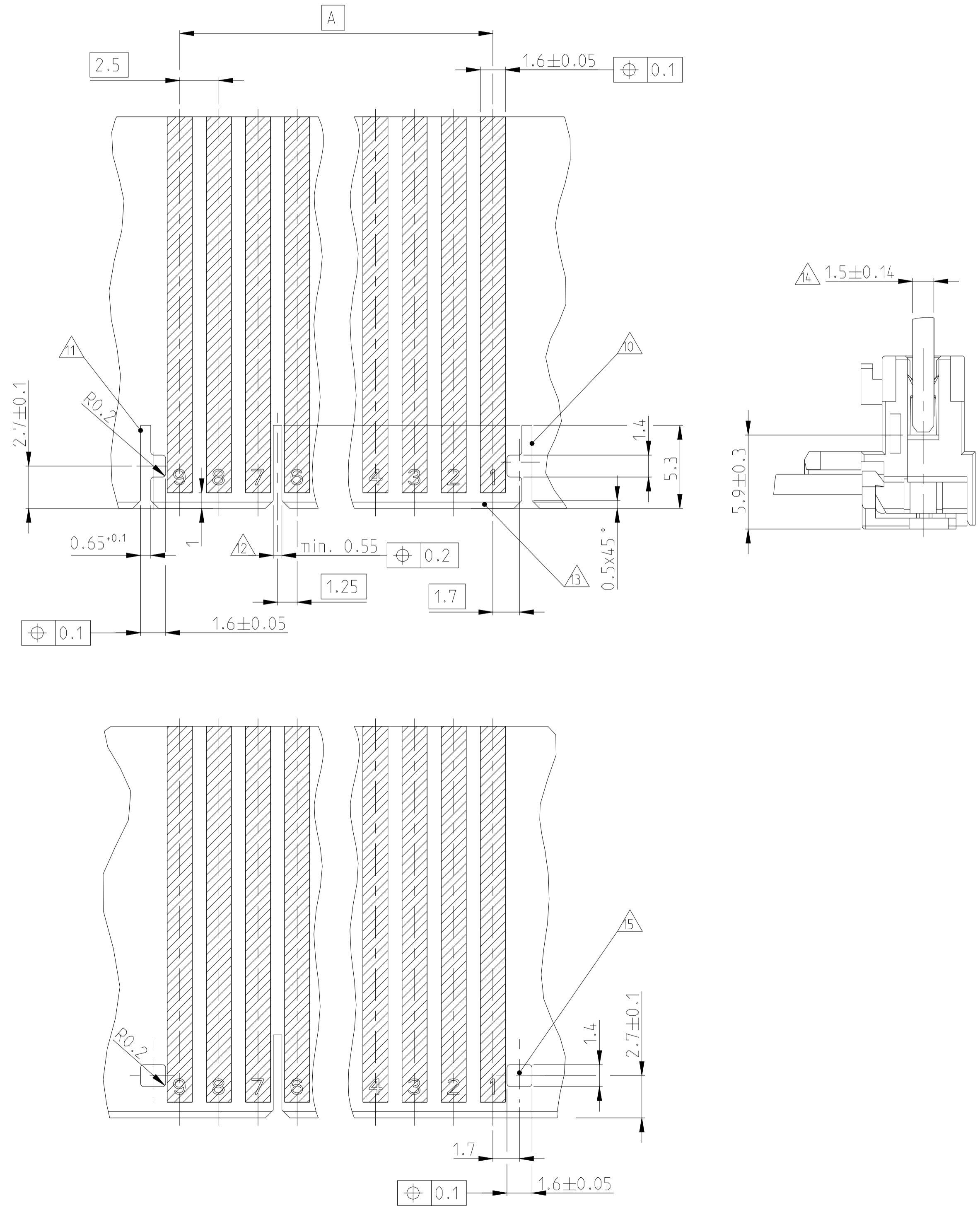
TE Connectivity

AMP DUOPLUG 2.5 MKII FEMALE CONNECTOR 3-20 POSITION (WITH PCB LOCKING)

SIZE: 114-18467 CAGE CODE: 00779 DRAWING NO: 1740501-3 RESTRICTED TO: B22

PCB LAYOUT IN GENERAL
Leiterplattenanschluss allgemein

3-20 POSITION
3-20 polig



- △11 WINDOW FOR LOCKING HOOK
Fenster fuer Rasthaken
- △14 INCLUSIVE COPPER CLADDING, SINGLE OR DOUBLE SIDED
Inklusive Kupferkaschierung, ein oder doppelseitig
- △13 PCB TO BE PREFERABLY CHAMFERED
Leiterplatte vorzugsweise angefast
- △12 SLOT FOR ADDITIONAL KEYING RIB BETWEEN CAVITY NO.
Schlitz fuer zusaetzliche Kodierrippe zwischen Kammer Nr.
- △11 SLOT FOR SIDE KEYING, ON LAST CAVITY
Schlitz fuer Seitenkodierung, bei letzter Kammer
- △10 SLOT FOR SIDE KEYING, ON CAVITY NO. 1
Schlitz fuer Seitenkodierung, bei Kammer Nr. 1
- △1 - △9 SEE SHEET 1
Siehe Blatt 1

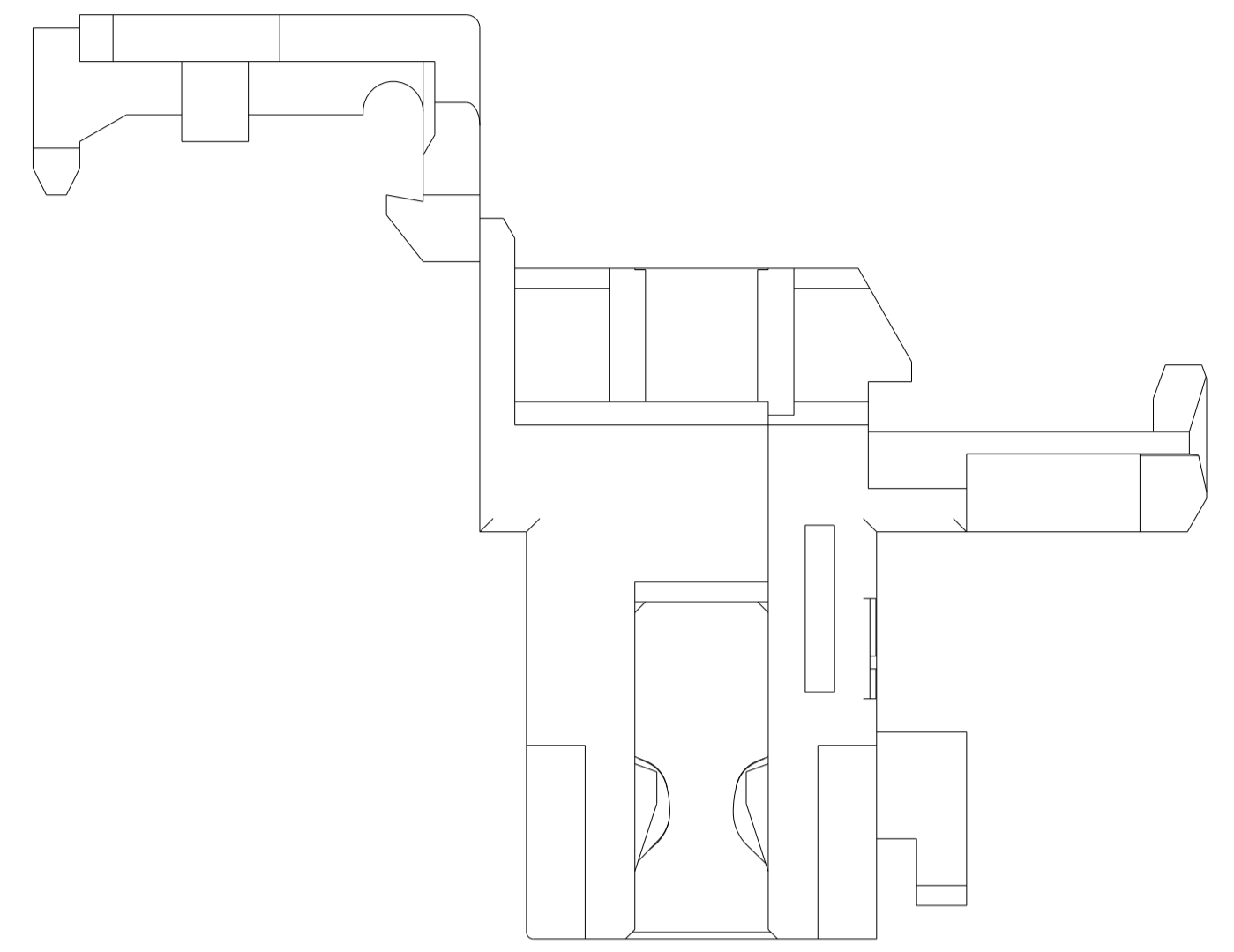
| LOC | DIST | REVISIONS | | | |
|-----|------|-------------|------|-----|------|
| P | LTN | DESCRIPTION | DATE | OWN | APVD |
| - | - | SEE SHEET 1 | - | - | - |

| | | | |
|--|--|--|-------------------------------|
| THIS DRAWING IS A CONTROLLED DOCUMENT. | | OWN: H. Alzmann 27.10.2005 | STE TE Connectivity |
| DIMENSIONS: mm | | CHK: B. Schnaubelt 27.10.2005 | |
| TOLERANCES UNLESS OTHERWISE SPECIFIED: | | APVD: T. Klenner 27.10.2005 | |
| MATERIAL: SEE TABLE | | NAME: AMP DUOPLUG 2.5 MKII FEMALE CONNECTOR 3-20 POSITION (WITH PCB LOCKING) | |
| MATERIAL: SEE TABLE | | SIZE: 116-18467 | RESTRICTED TO: - |
| MATERIAL: SEE TABLE | | WEIGHT: - | SCALE: 7:1 |
| MATERIAL: SEE TABLE | | CUSTOMER DRAWING | SHEET 2 OF 3 |

THIS DRAWING IS UNPUBLISHED. RELEASED FOR PUBLICATION 2005
 © COPYRIGHT 2005 ALL RIGHTS RESERVED.

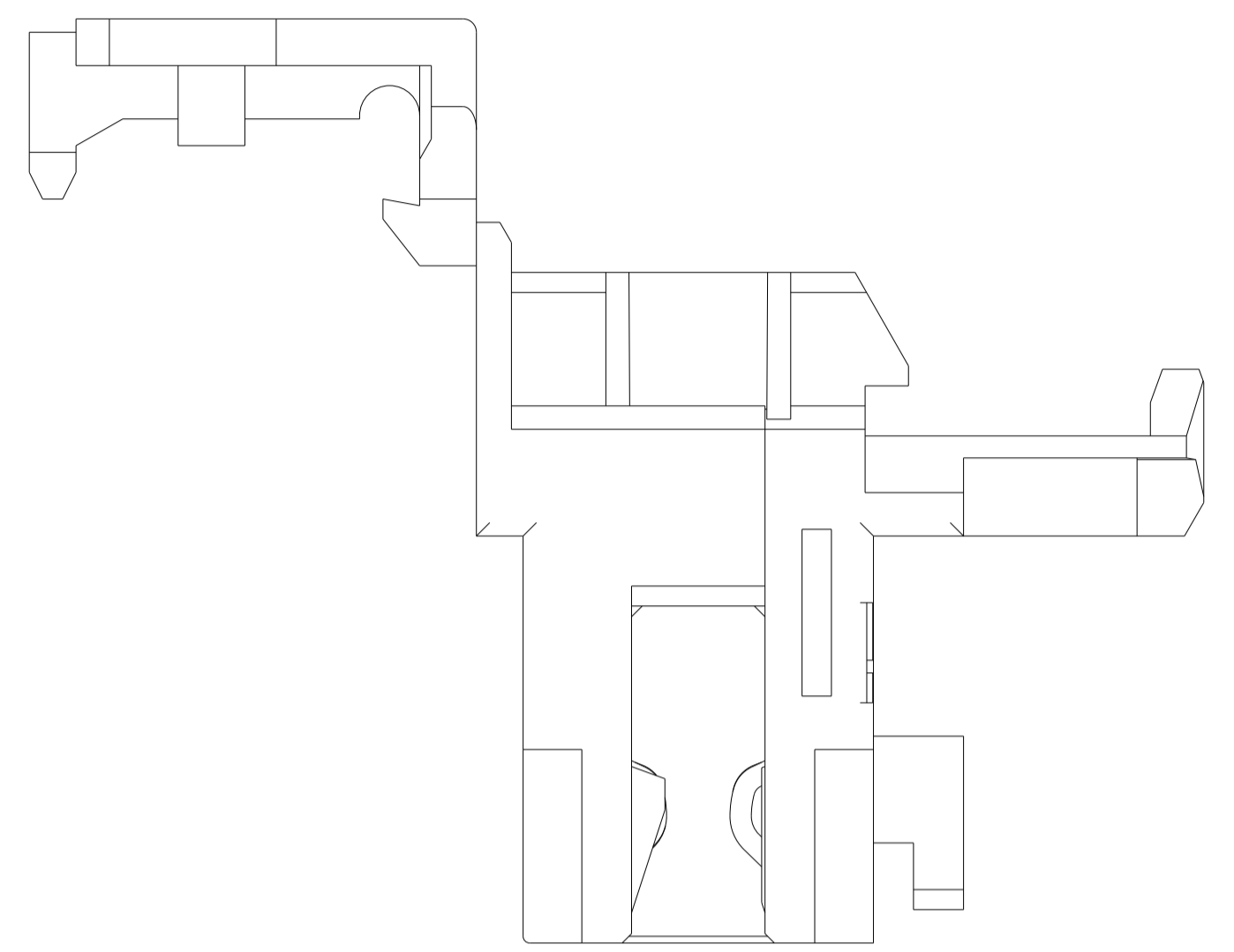
| LOC | | DIST | | REVISIONS | | | |
|-----|-----|-------------|------|-----------|------|--|--|
| P | LTN | DESCRIPTION | DATE | DMN | APVD | | |
| - | | SEE SHEET 1 | - | - | - | | |
| | | | | | | | |
| | | | | | | | |

18 SPECIAL PCB LOCKING VERSION



10:1

19 SPECIAL PCB LOCKING VERSION



10:1

| | | | | | | | | | | | | | | | | | | | |
|---|-------|------------------------------------|--------------------|--|---------------|-------|------|-------|------|-------|------|--------|-------|--------|--|------------------|------------|--|--|
| THIS DRAWING IS A CONTROLLED DOCUMENT. | | DMN H. Alzmann 27.10.2005 | | NAME AMP DUOPLUG 2.5 MKII FEMALE CONNECTOR 3-20 POSITION (WITH PCB LOCKING) | RESTRICTED TO | | | | | | | | | | | | | | |
| DIMENSIONS: mm | | CHK B. Schnaubelt 27.10.2005 | | | | | | | | | | | | | | | | | |
| TOLERANCES UNLESS OTHERWISE SPECIFIED: | | APVD T. Klenner 27.10.2005 | PRODUCT SPEC | | | | | | | | | | | | | | | | |
| <table border="0"> <tr><td>0 PLC</td><td>±0.2</td></tr> <tr><td>1 PLC</td><td>±0.2</td></tr> <tr><td>2 PLC</td><td>±0.2</td></tr> <tr><td>3 PLC</td><td>±0.2</td></tr> <tr><td>4 PLC</td><td>±0.2</td></tr> <tr><td>ANGLES</td><td>±0.1°</td></tr> <tr><td>FINISH</td><td></td></tr> </table> | | 0 PLC | ±0.2 | 1 PLC | ±0.2 | 2 PLC | ±0.2 | 3 PLC | ±0.2 | 4 PLC | ±0.2 | ANGLES | ±0.1° | FINISH | | APPLICATION SPEC | SIZE A1 | | |
| 0 PLC | ±0.2 | | | | | | | | | | | | | | | | | | |
| 1 PLC | ±0.2 | | | | | | | | | | | | | | | | | | |
| 2 PLC | ±0.2 | | | | | | | | | | | | | | | | | | |
| 3 PLC | ±0.2 | | | | | | | | | | | | | | | | | | |
| 4 PLC | ±0.2 | | | | | | | | | | | | | | | | | | |
| ANGLES | ±0.1° | | | | | | | | | | | | | | | | | | |
| FINISH | | | | | | | | | | | | | | | | | | | |
| MATERIAL SEE TABLE | | 116-18467 | CAGE CODE 00779 | DRAWING NO C=1740501 | | | | | | | | | | | | | | | |
| WEIGHT | | - | CUSTOMER DRAWING | | SCALE 5:1 | | | | | | | | | | | | | | |
| | | SHEET 3 OF 3 | | REV B22 | | | | | | | | | | | | | | | |

X-ON Electronics

Largest Supplier of Electrical and Electronic Components

Click to view similar products for [Automotive Connectors](#) category:

Click to view products by [TE Connectivity](#) manufacturer:

Other Similar products are found below :

[003-018-000](#) [60403001](#) [60993906-B](#) [M902-2131](#) [M902-2161](#) [M902-2344](#) [72.330.1035.1](#) [73.353.4028.0](#) [F119300-B](#) [F166900](#) [F258300-B](#)
[F358300-B](#) [F407400](#) [F444110](#) [F487000](#) [F509500B-B](#) [827153-1](#) [8N1515-32-24P](#) [9-1326729-8](#) [925474-1](#) [928905-1](#) [964562-4](#) [968782-1](#)
[GT17SA-8DS-HU](#) [98891-1012](#) [98947-1016](#) [12004147](#) [12004475-L](#) [12010290](#) [12010309-B](#) [12015454](#) [12020219-B](#) [12041318-B](#) [12052225-](#)
[L](#) [12052466](#) [12064869](#) [12004327-B](#) [12015308](#) [12015384](#) [12015909](#) [1-21030-1](#) [12041254](#) [12041318](#) [12047946-B](#) [12047957](#) [12047957-L](#)
[12059473](#) [12066261](#) [12110546](#) [12110546-B](#)