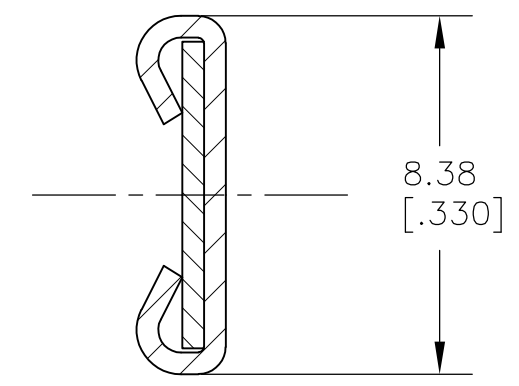
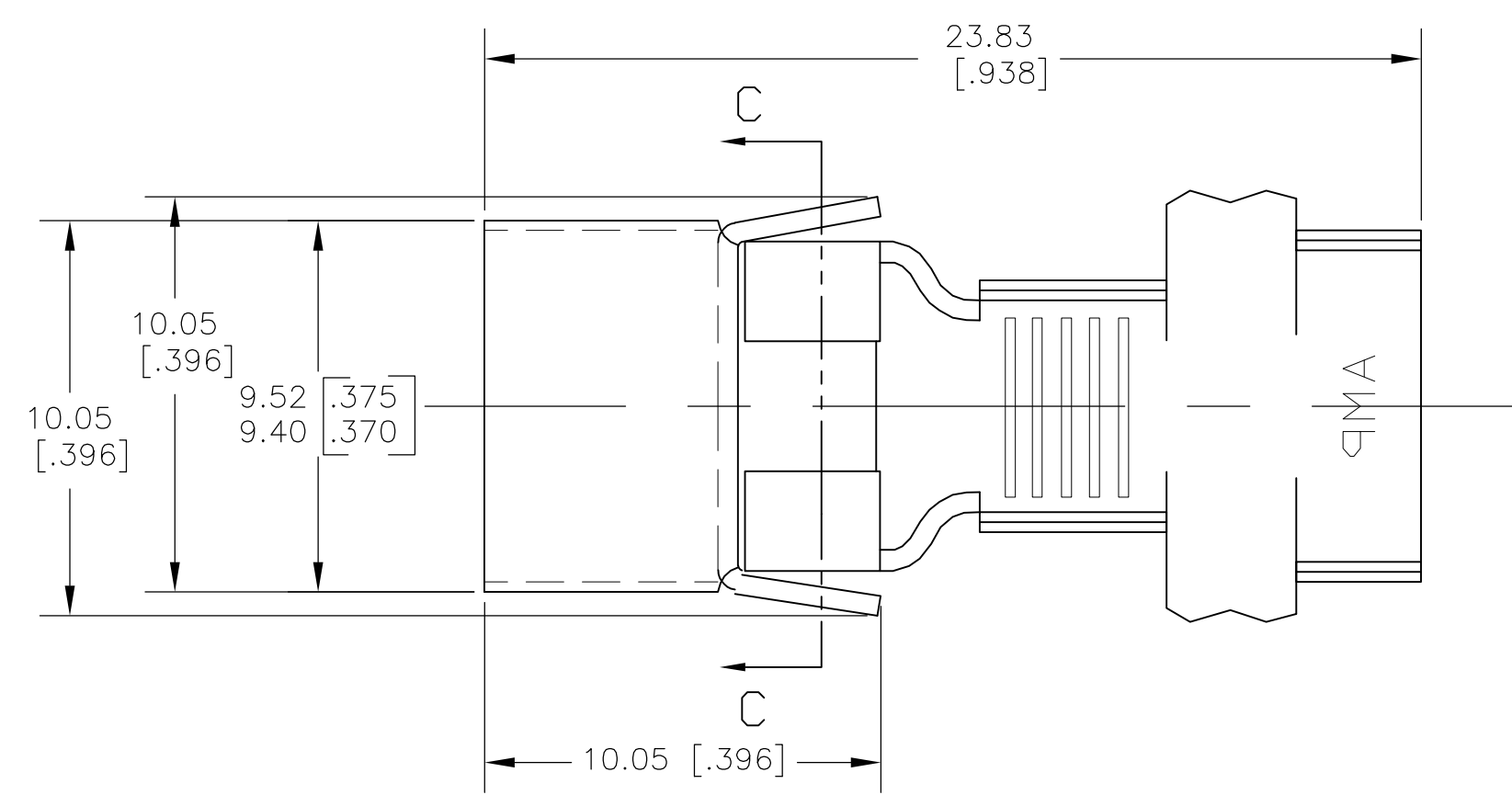
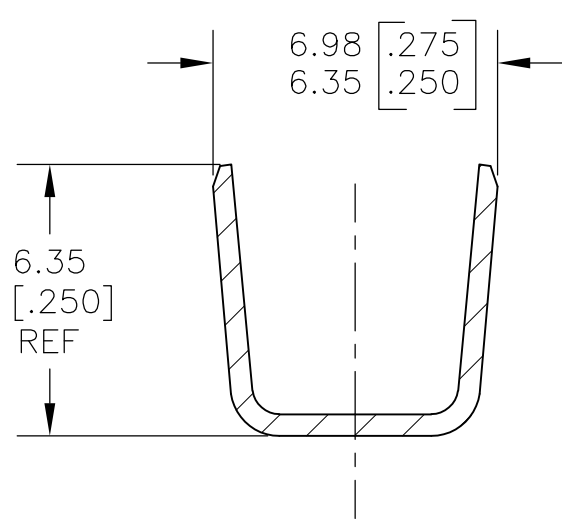
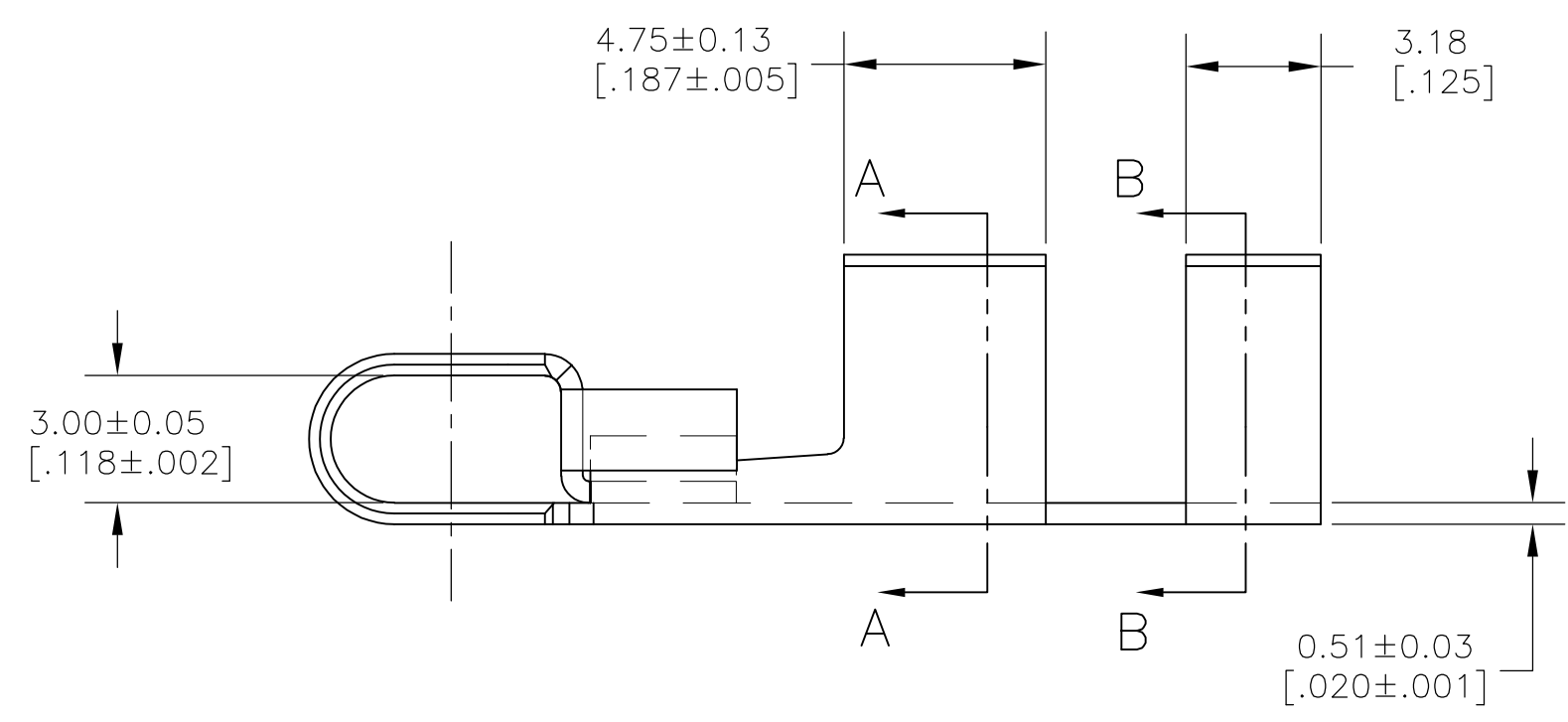


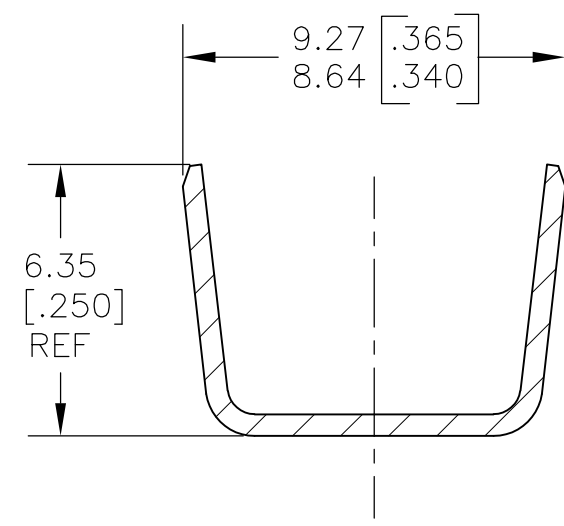
| LOC | DIST | REVISIONS | | | |
|-----|------|-------------|---------------------------|-----------|-------|
| P | LTR | DESCRIPTION | DATE | OWN | APVD |
| AF | 50 | D6 | REVISED PER ECR-13-014537 | 15NOV2013 | KH GJ |



SECTION C-C



SECTION A-A



SECTION B-B

- 1 PRODUCT PROVIDED ON 19.56 [.770] CENTERS, IN STRIP FORM ON REELS. BREAKS MAY BE PRESENT.
- 2 WIRE SIZES [#14-#8 AWG] 2.08mm²-8.35mm², STRANDED.
- 3 INSULATION RANGE 1.90-4.32 [.075-.170] DIA
- △ 4 EXTENDED QUANTITY PACKAGING
- △ 5 PRELIMINARY - NOT FOR PRODUCTION.

| STANDARD | FINISH | MATERIAL | PART NUMBER |
|-------------------------|----------|-------------------|---------------|
| △ 4 | POST TIN | H02 CuFeP ALLOY | 1-1742539-3 |
| STANDARD | POST TIN | TMOS CuNiSi ALLOY | △ 5 1742539-4 |
| STANDARD | POST TIN | H02 CuFeP ALLOY | 1742539-3 |
| SUPERSEDED BY 1742539-3 | PRE-TIN | H02 CuFe ALLOY | 1742539-2 |
| OBSOLETE | POST TIN | H03 CuSnZn ALLOY | 1742539-1 |

THIS DRAWING IS A CONTROLLED DOCUMENT.

| | |
|---|--|
| DWN jr ruth 01FEB07 | TE Connectivity |
| CHK GARY PORTA 01FEB07 | |
| APVD GARY PORTA 01FEB07 | |
| DIMENSIONS: MM[INCHES] TOLERANCES UNLESS OTHERWISE SPECIFIED: 0 PLC ± - 1 PLC ± - 2 PLC ± 0.25 [.010] 3 PLC ± - 4 PLC ± - ± 1° ANGLES ± - ± 1° | NAME RECEPTACLE, CLUSTER PIN, .125 DIA |
| MATERIAL SEE TABLE | FINISH SEE TABLE WEIGHT - CUSTOMER DRAWING |
| PRODUCT SPEC 108-2388 APPLICATION SPEC 114-13244 | |
| SIZE CAGE CODE DRAWING NO A2 00779 G-1742539 | |
| RESTRICTED TO SCALE 6:1 SHEET 1 OF 1 REV D6 | |

X-ON Electronics

Largest Supplier of Electrical and Electronic Components

Click to view similar products for [Automotive Connectors](#) category:

Click to view products by [TE Connectivity](#) manufacturer:

Other Similar products are found below :

[003-018-000](#) [60403001](#) [60993906-B](#) [M902-2131](#) [M902-2161](#) [72.330.1035.1](#) [73.353.4028.0](#) [F119300-B](#) [F166900](#) [F258300-B](#) [F358300-B](#)
[F407400](#) [F444110](#) [F487000](#) [F509500B-B](#) [827153-1](#) [8N1515-32-24P](#) [9-1326729-8](#) [925474-1](#) [928905-1](#) [964562-4](#) [968782-1](#) [GT17SA-8DS-](#)
[HU](#) [98891-1012](#) [98947-1016](#) [12004147](#) [12004475-L](#) [12010290](#) [12010309-B](#) [12015454](#) [12020219-B](#) [12020308](#) [12041318-B](#) [12052225-L](#)
[12052466](#) [12059125](#) [12064869](#) [12004327-B](#) [12010503-B](#) [12015308](#) [12015384](#) [12015909](#) [1-21030-1](#) [12041254](#) [12041318](#) [12047946-B](#)
[12047957](#) [12047957-L](#) [12059473](#) [12066261](#)