

4

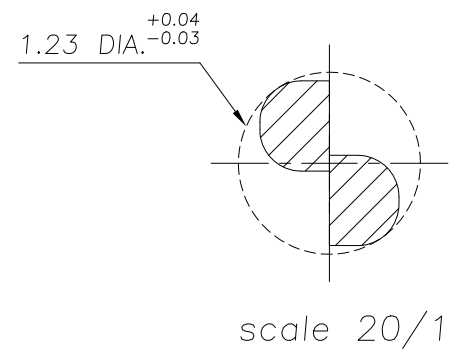
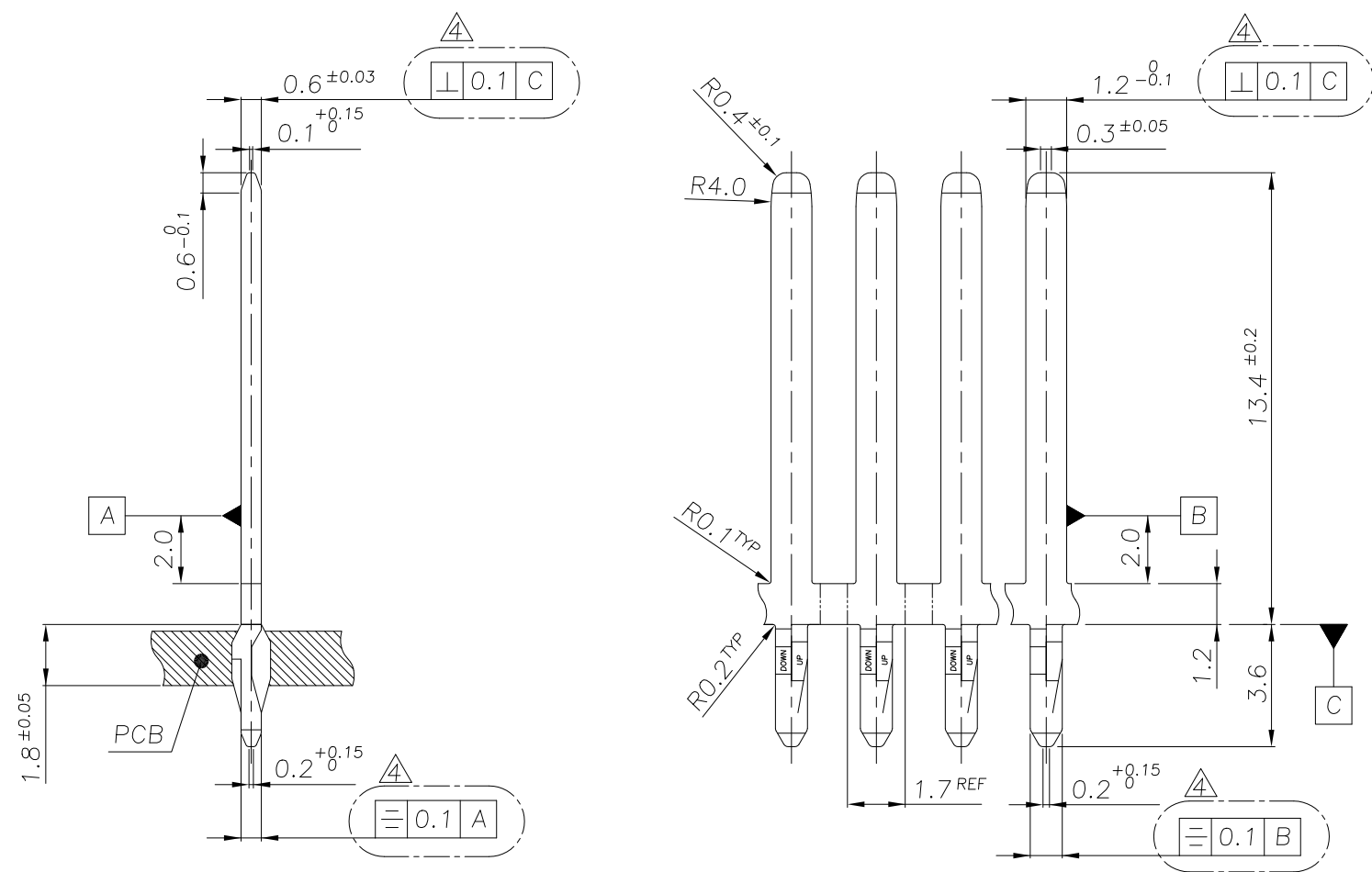
3

2

1

THIS DRAWING IS UNPUBLISHED. RELEASED FOR PUBLICATION
COPYRIGHT BY TYCO ELECTRONICS CORPORATION, ALL RIGHTS RESERVED.

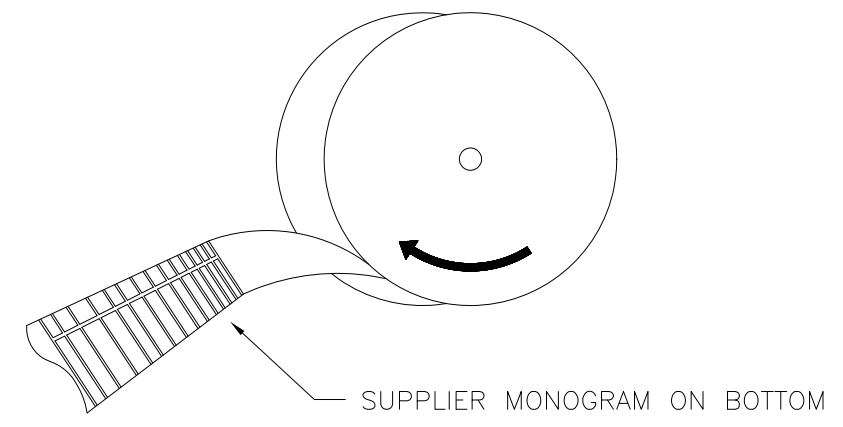
LOC	DIST	REVISIONS					
		P	LTR	DESCRIPTION	DATE	DWN	APVD
DS			A	RELEASED	23.FEB'06	YH	JK
			B	REVISED(ECR-06-011306)	06.JUL'06	YH	JK
			B1	REVISED(ECR-06-024676)	19.OCT'06	BS	JK
			B2	REVISED(ECR-06-025592)	31.OCT'06	BS	JK
			B3	REVISED(ECR-07-001707)	23.JAN'07	BS	JK



Customer Drawing for Approval

Description; ACTION-PIN 1.2x0.6
 Customer part No; F005 VI 3825
 TE division part No; 1743447 -2
 Approved by;
 Date;

- * NOTES;
- ③ △ PHOSPHOR BRONZE- CuSn4(H03) HARD [HARDNESS 155-180 HV].
 - △ 100% TIN PLATING 1.0~4.0um Bright OVER, NICKEL PLATING 1.25~2.0um Matte.
 - 3 PCB HOLE SIZE;
 DRILLED HOLE ϕ ; 1.15 \pm 0.025
 FINISHED HOLE ϕ ; 0.94 ~1.09
 Cu- THICKNESS; 0.025 ~0.075
 SnPb- THICKNESS; 0.004 ~0.010
 - △ ○ MEASURING POINT FOR PPK



600mm PLASTIC REEL/30M	△	△	1- 1743447 -2
585mm PAPER REEL/30M	△	△	1743447 -2
	FINISH	MATERIAL	PART NUMBER
<small>THIS DRAWING IS A CONTROLLED DOCUMENT FOR TYCO ELECTRONICS CORPORATION IT IS SUBJECT TO CHANGE AND THE CONTROLLING ENGINEERING ORGANIZATION SHOULD BE CONTACTED FOR THE LATEST REVISION.</small>		Tyco Electronics AMP KOREA, kyungsan, korea	
DIMENSIONS: MM	TOLERANCES UNLESS OTHERWISE SPECIFIED:	NAME	
	0 <XX<10 ± 0.2 10<XX<30 ± 0.25 30<XX<100 ± 0.3 ANGLES ± 3°	TAB 1.2 x 0.6 WITH ACTION PIN	
	MATERIAL	FINISH	RESTRICTED TO
SEE NOTES	SEE NOTES	SIZE: A3 CAGE CODE: 00779 DRAWING NO: C- 1 7 4 3 4 4 7	WEIGHT: SCALE: 5/1 SHEET: 1 OF 1 REV: B3
CUSTOMER DRAWING			

X-ON Electronics

Largest Supplier of Electrical and Electronic Components

Click to view similar products for [Automotive Connectors](#) category:

Click to view products by [TE Connectivity](#) manufacturer:

Other Similar products are found below :

[003-018-000](#) [600858](#) [60403001](#) [60993906-B](#) [60993913-B](#) [629515004020001](#) [M83723/71R1808N L/C](#) [M902-2131](#) [M902-2161](#) [M902-2344](#)
[72.330.1035.1](#) [73.353.4028.0](#) [F118010](#) [F119300-B](#) [F132210](#) [F166900](#) [F180100](#) [F258300](#) [F258300-B](#) [F294300-B](#) [F339100](#) [F339700](#)
[F358300-B](#) [F374110](#) [F407400](#) [F412210](#) [F444110](#) [F487000](#) [F495100](#) [F500900-B](#) [F509500B-B](#) [770444-1](#) [827153-1](#) [881735-1](#)
[8N1515-32-24P](#) [9-1326729-8](#) [925467-1](#) [925474-1](#) [928905-1](#) [936398-2](#) [964562-4](#) [964731-2](#) [968782-1](#) [GT17SA-8DS-HU](#) [GT17VS-10DP-](#)
[5.2CF](#) [98315-0001](#) [98315-0010](#) [98891-1012](#) [98895-2014](#) [98936-1039](#)