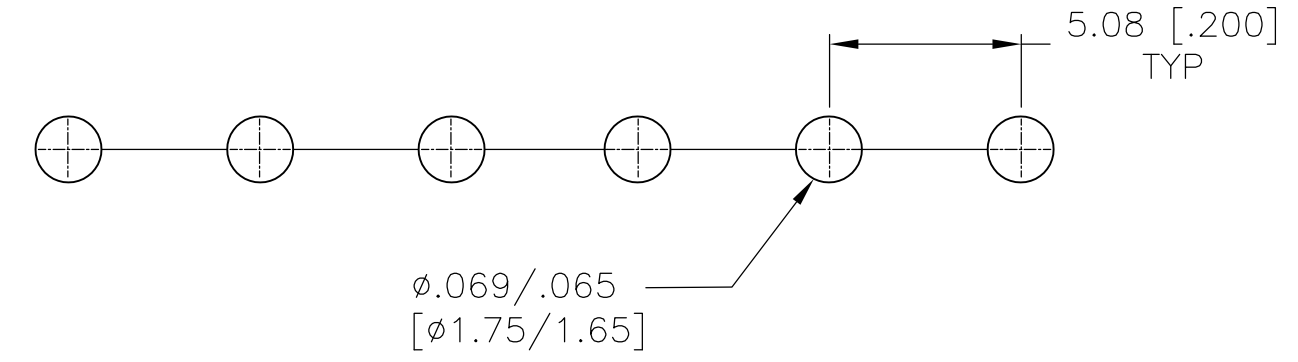
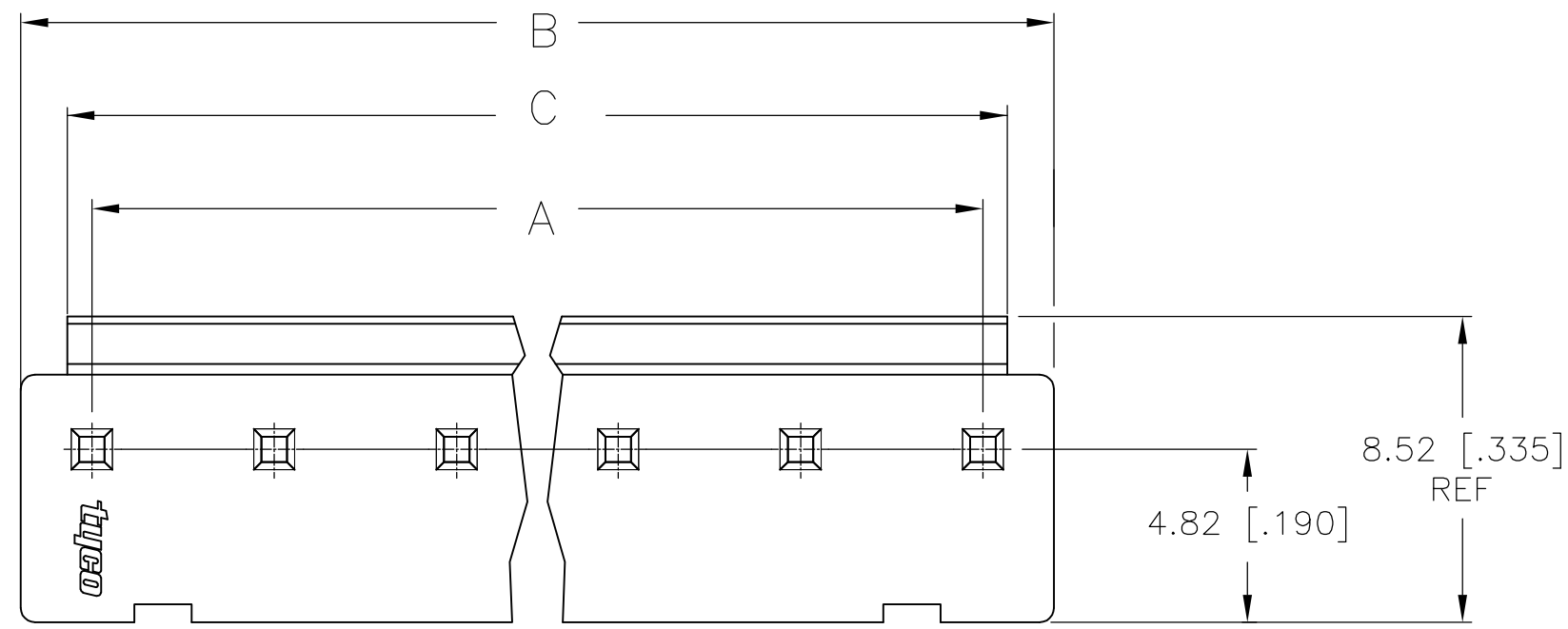
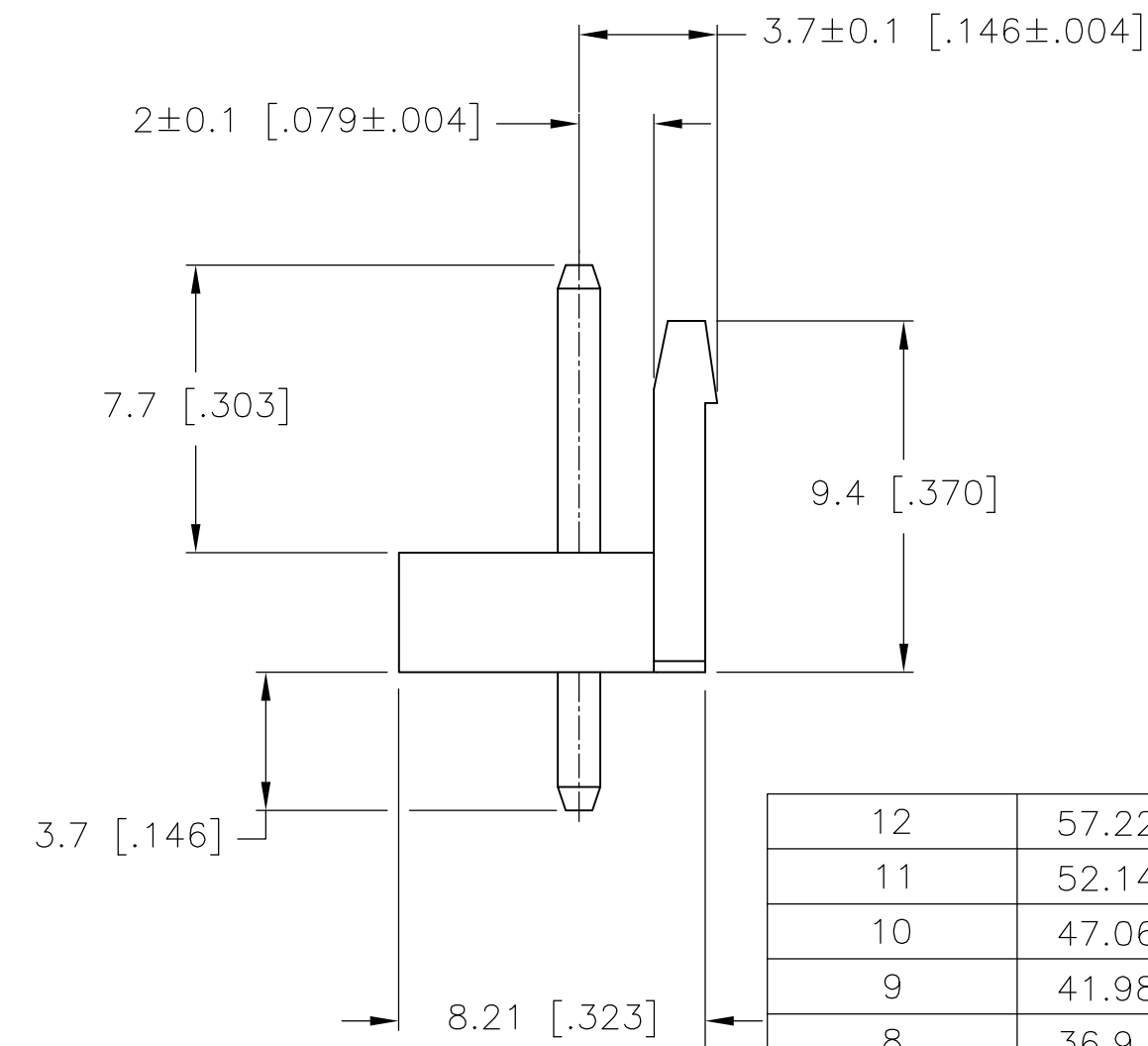
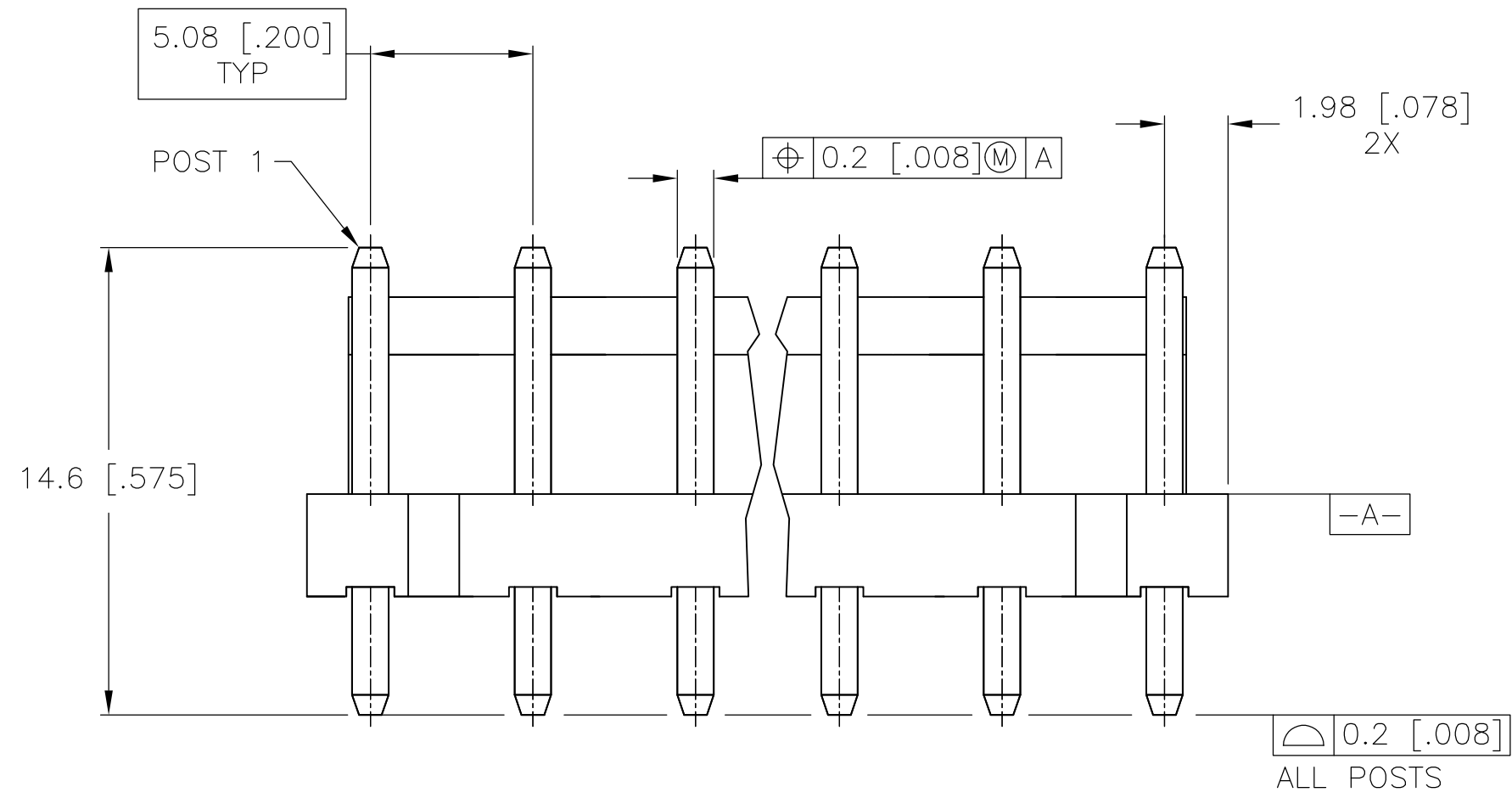


THIS DRAWING IS UNPUBLISHED. RELEASED FOR PUBLICATION
 © COPYRIGHT By - ALL RIGHTS RESERVED.

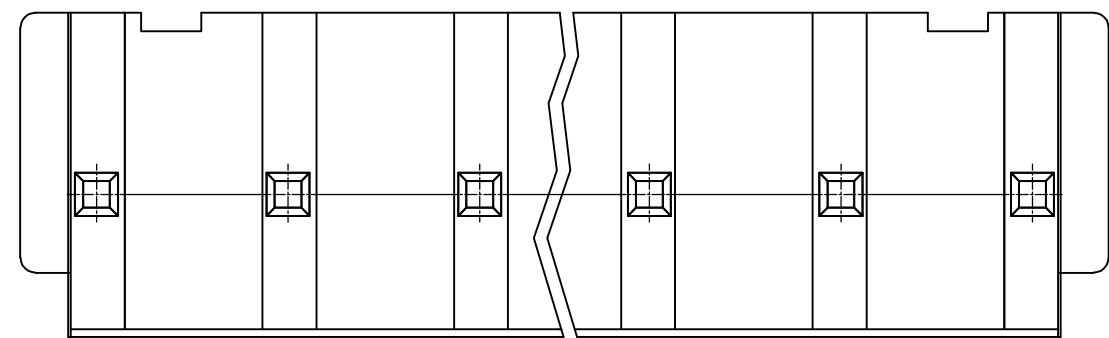
| LOC | | DIST | | REVISIONS | | | |
|-----|-----|-------------|---------------------------|-----------|-----------|------|-----|
| P | LTR | DESCRIPTION | | DATE | DWN | APVD | |
| GP | 00 | A2 | REVISED PER ECR-15-008260 | | 03JUN2015 | O.C | D.Z |



RECOMMENDED PC BOARD LAYOUT



1. HOUSING MATERIAL: NYLON 66, UL94V-0, NATURAL.
2. CONTACT MATERIAL: COPPER ALLOY
3. CONTACT PLATING: 0.003[.000120] MIN TIN OVER 0.001[.000039] MIN NICKEL



0.2 [.008] ALL POSTS

| | | | | |
|-----------------|-------------------|-------------------|-------------------|-------------|
| 12 | 57.22 [2.254] | 59.84 [2.357] | 55.88 [2.200] | 1-1744037-2 |
| 11 | 52.14 [2.054] | 54.76 [2.157] | 50.8 [2.000] | 1-1744037-1 |
| 10 | 47.06 [1.854] | 49.68 [1.957] | 45.72 [1.800] | 1-1744037-0 |
| 9 | 41.98 [1.654] | 44.6 [1.757] | 40.64 [1.600] | 1744037-9 |
| 8 | 36.9 [1.453] | 39.52 [1.557] | 35.56 [1.400] | 1744037-8 |
| 7 | 31.82 [1.253] | 34.44 [1.356] | 30.48 [1.200] | 1744037-7 |
| 6 | 26.74 [1.053] | 29.36 [1.156] | 25.4 [1.000] | 1744037-6 |
| 5 | 21.66 [.853] | 24.28 [.956] | 20.32 [.800] | 1744037-5 |
| 4 | 16.58 [.653] | 19.2 [.756] | 15.24 [.600] | 1744037-4 |
| 3 | 11.5 [.453] | 14.12 [.556] | 10.16 [.400] | 1744037-3 |
| 2 | 6.42 [.253] | 9.04 [.356] | 5.08 [.200] | 1744037-2 |
| NO OF POSITIONS | DIM C ±0.2 [.008] | DIM B ±0.3 [.012] | DIM A ±0.3 [.012] | PART NUMBER |

THIS DRAWING IS A CONTROLLED DOCUMENT.

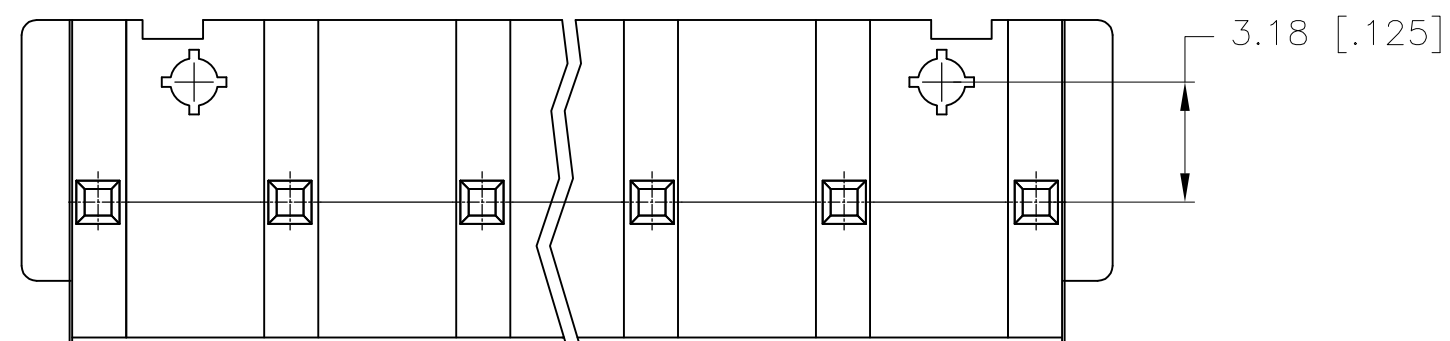
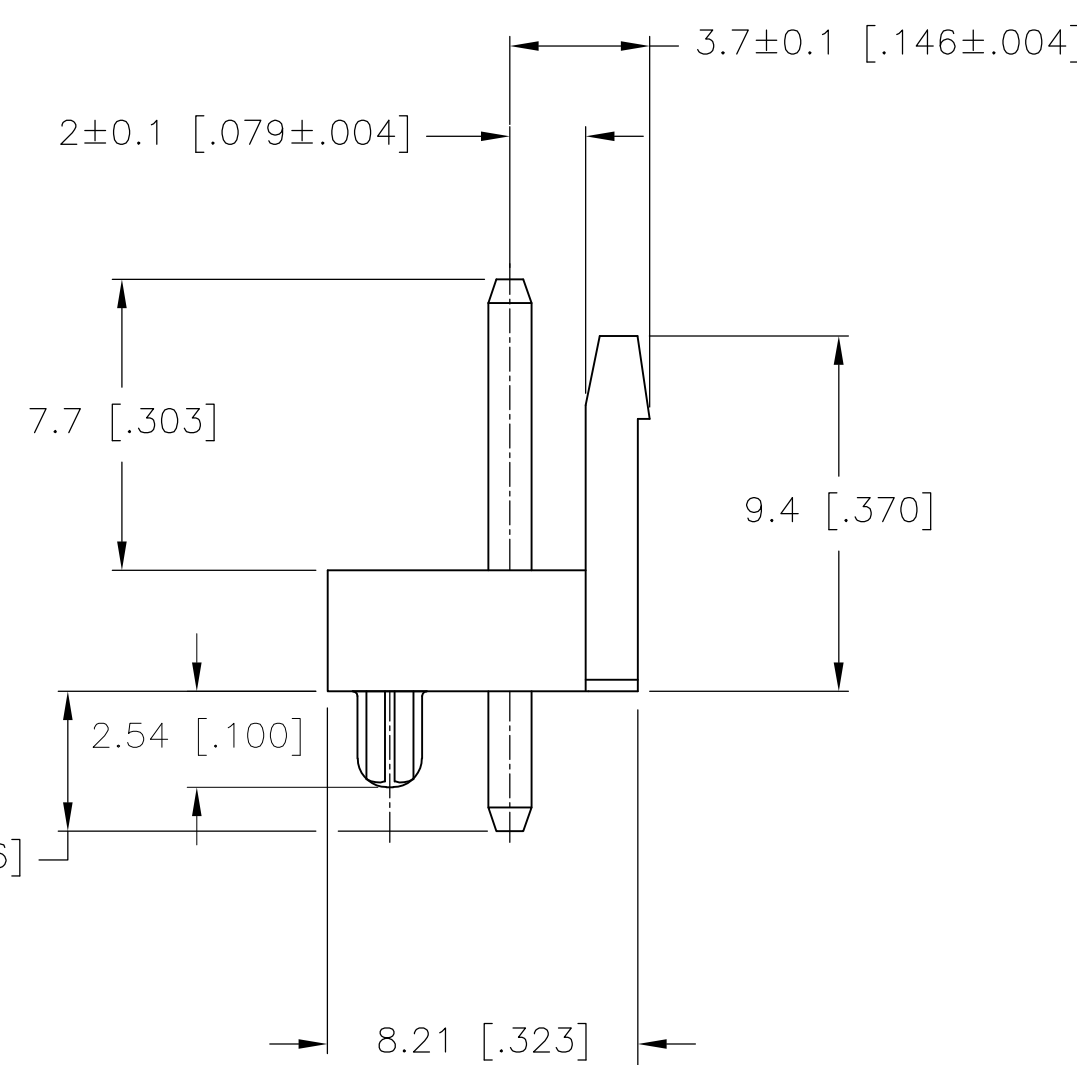
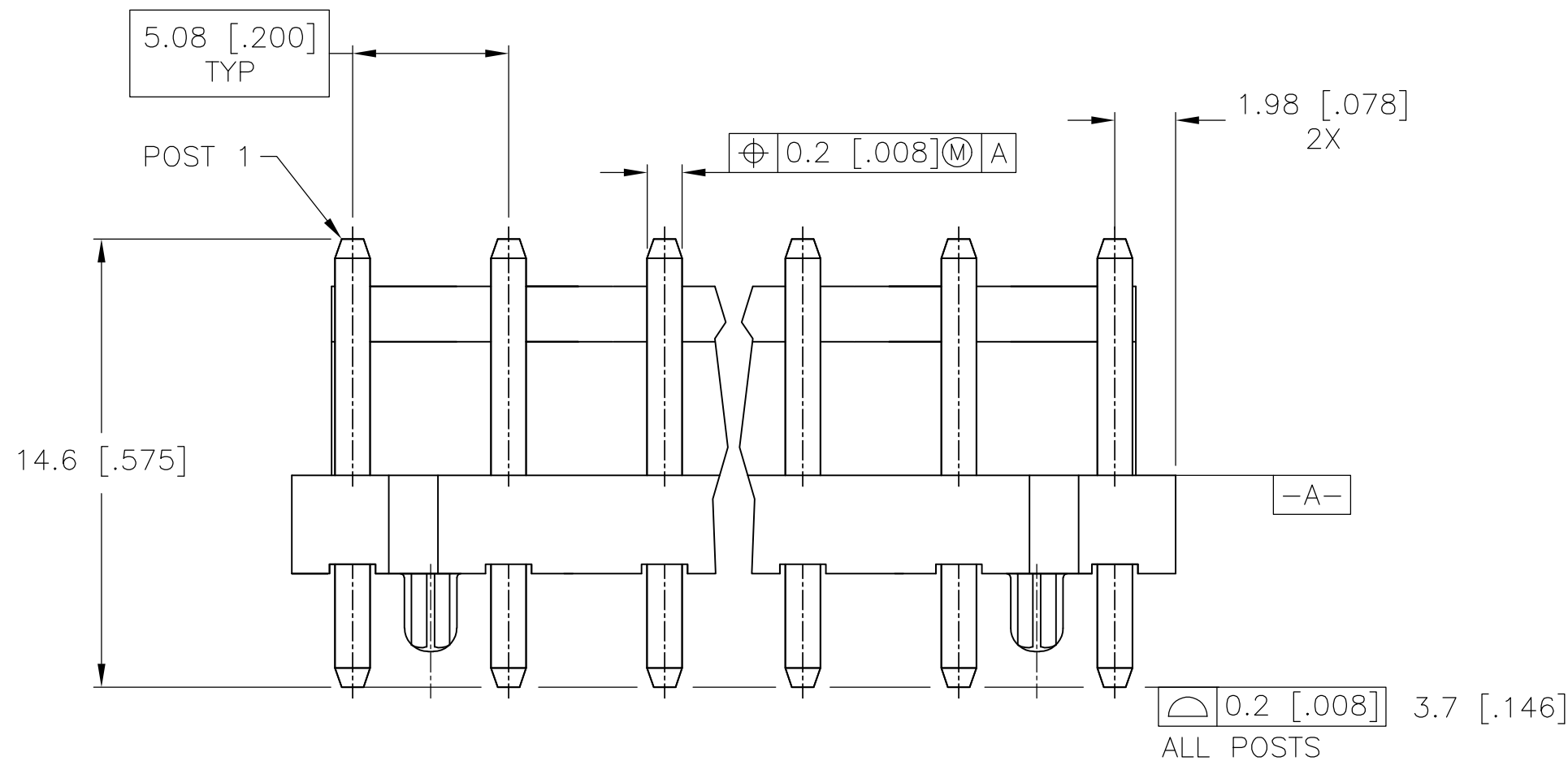
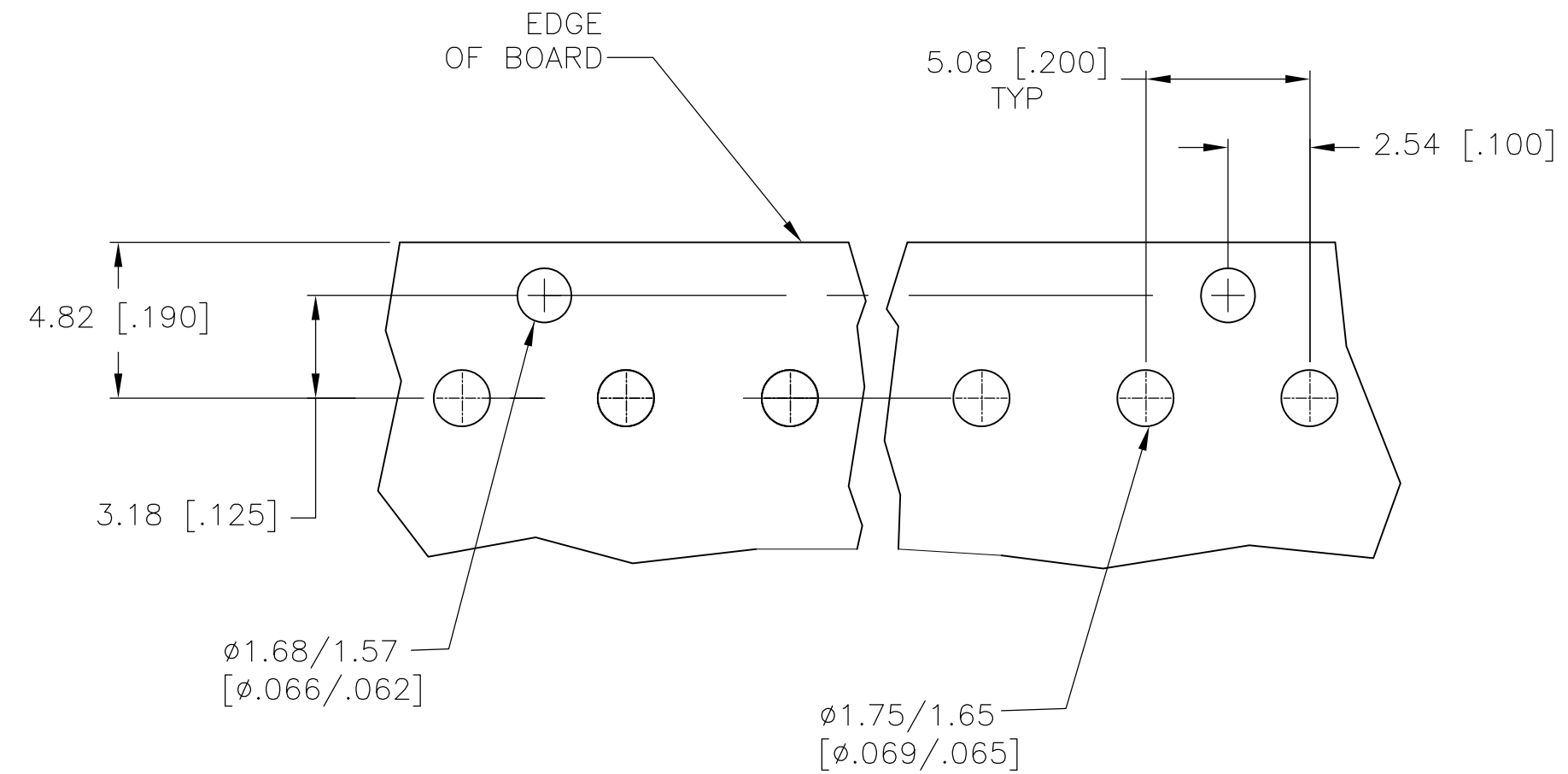
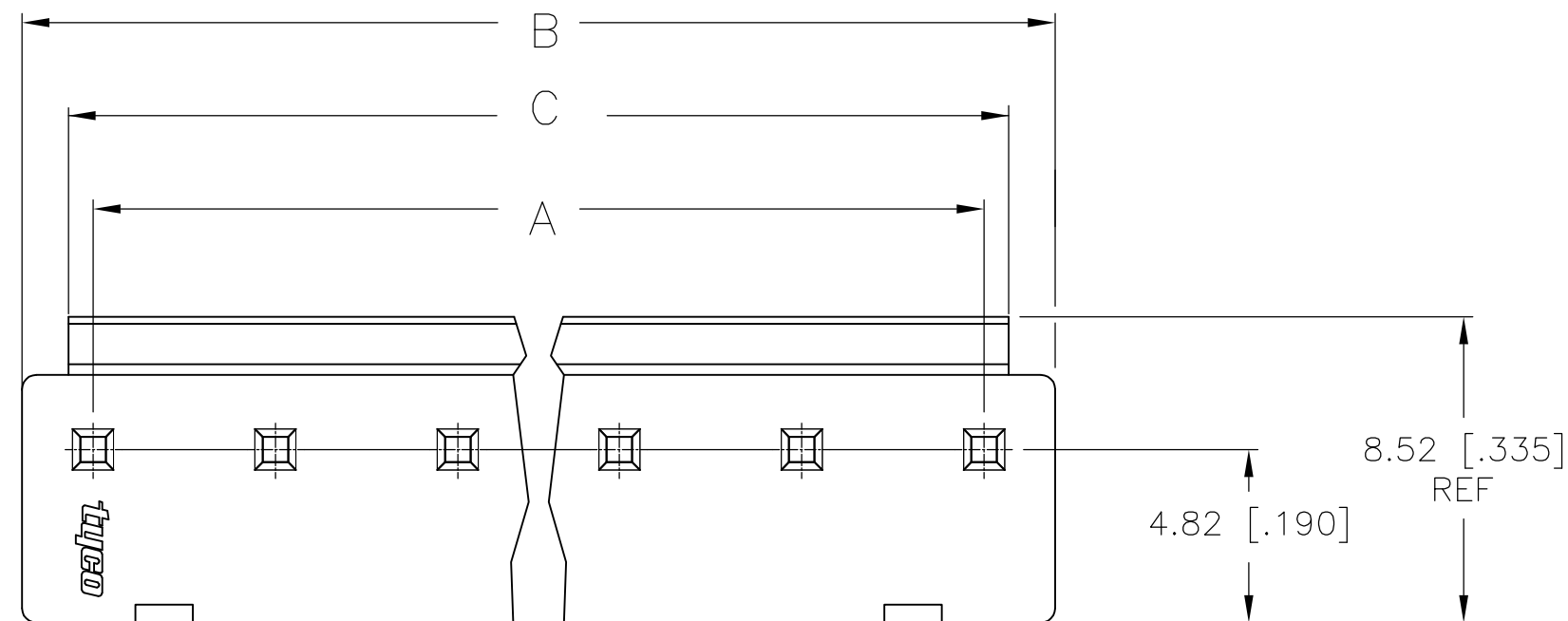
| | | | | |
|---------------------------------|---------------------|--|--------------------|-----------------------|
| DWN S. HOOVER 01-APR-2004 | TE Connectivity | NAME | RESTRICTED TO | |
| CHK J. ELLIS 01-APR-2004 | | HEATER ASSEMBLY-ECONOMY POWER VERTICAL, .200 CENTERLINE | - | |
| APVD J. ELLIS 01-APR-2004 | | SIZE A2 | CAGE CODE 00779 | DRAWING NO 1744037 |
| PRODUCT SPEC | | SCALE N/A | SHEET 1 of 2 | REV A2 |

MATERIAL: SEE NOTES

WEIGHT: CUSTOMER DRAWING

THIS DRAWING IS UNPUBLISHED. RELEASED FOR PUBLICATION
 © COPYRIGHT By - ALL RIGHTS RESERVED.

| LOC | | DIST | | REVISIONS | | | |
|-----|-----|-------------|---|-------------|-----|------|--|
| P | LTR | DESCRIPTION | | DATE | DWN | APVD | |
| GP | 00 | - | - | SEE SHEET 1 | - | - | |



RECOMMENDED PC BOARD LAYOUT

| | | | | |
|-----------------|--------------------|--------------------|--------------------|-------------|
| 6 | 26.74 [1.053] | 29.36 [1.156] | 25.4 [1.000] | 3-1744037-6 |
| NO OF POSITIONS | DIM C ± 0.2 [.008] | DIM B ± 0.3 [.012] | DIM A ± 0.3 [.012] | PART NUMBER |

| | | | | |
|---|--|---------------------------|--|---------------------|
| THIS DRAWING IS A CONTROLLED DOCUMENT. | | DWN S. HOOVER 01-APR-2004 | TE Connectivity | |
| DIMENSIONS: mm [INCHES] | | CHK J. ELLIS 01-APR-2004 | | |
| TOLERANCES UNLESS OTHERWISE SPECIFIED: | | APVD J. ELLIS 01-APR-2004 | NAME | |
| 0 PLC ± - 1 PLC ± 0.25 [.010] 2 PLC ± 0.15 [.006] 3 PLC ± - 4 PLC ± - ANGLES ± - FINISH | | PRODUCT SPEC | HEADER ASSEMBLY-ECONOMY POWER VERTICAL, .200 CENTERLINE | |
| MATERIAL SEE NOTES | | APPLICATION SPEC | SIZE A2 | RESTRICTED TO |
| | | WEIGHT | CAGE CODE 00779 | DRAWING NO. 1744037 |
| | | CUSTOMER DRAWING | SCALE N/A | SHEET 2 OF 2 |
| | | | | REV A2 |

X-ON Electronics

Largest Supplier of Electrical and Electronic Components

Click to view similar products for [Headers & Wire Housings](#) category:

Click to view products by [TE Connectivity](#) manufacturer:

Other Similar products are found below :

[892-18-020-10-001101](#) [58102-G61-06LF](#) [582553-1](#) [0009485154](#) [009176003701906](#) [0050291907](#) [LY20-4P-DT1-P1E-BR](#) [02.125.8002.8](#)
[609-3404](#) [61062-3](#) [61082-181009](#) [622-3653LF](#) [63453-116](#) [636-1030](#) [636-1427](#) [636-3427](#) [636-4007](#) [641938-9](#) [641991-4](#) [644827-2](#) [65817-010LF](#) [65817-015LF](#) [65863-015LF](#) [66207-023LF](#) [67095-007LF](#) [67601157](#) [68645-018](#) [68648-049](#) [70.362.1628.0](#) [70-4210](#) [70-4226B](#) [70-4853B](#) [707-5020](#) [707-5028](#) [71.350.2428.0](#) [71918-208LF](#) [71961-016LF](#) [733-134](#) [733-162](#) [754199-000](#) [760-3052](#) [787-8014-00](#) [79531-3000](#)
[FCN-360C032-B](#) [FCN-367T-T012/H](#) [FCN-723D010/2](#) [80.063.4001.1](#) [800-90-001-10-001000](#) [800-90-010-10-002000](#) [801-43-002-10-013000](#)