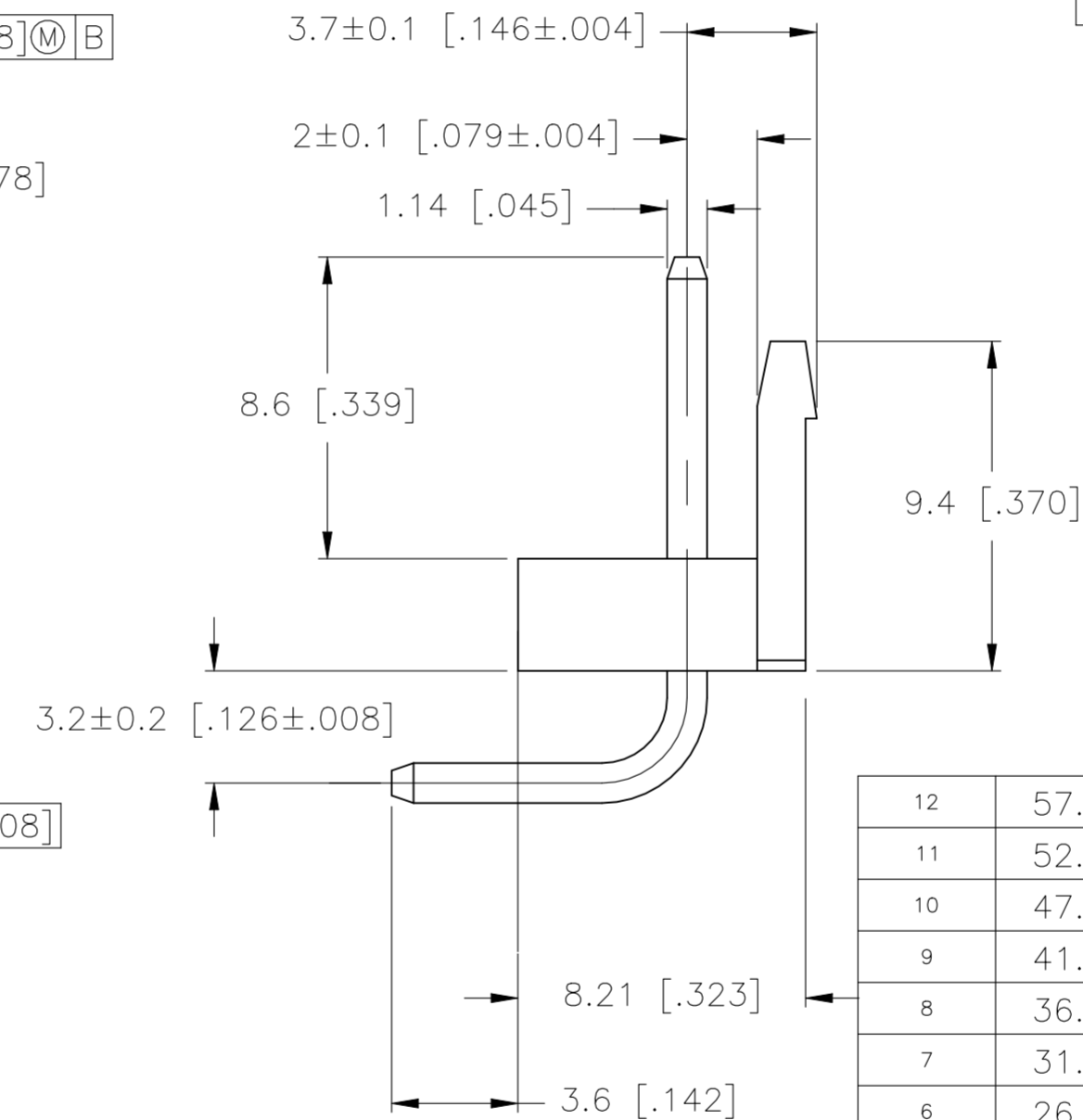
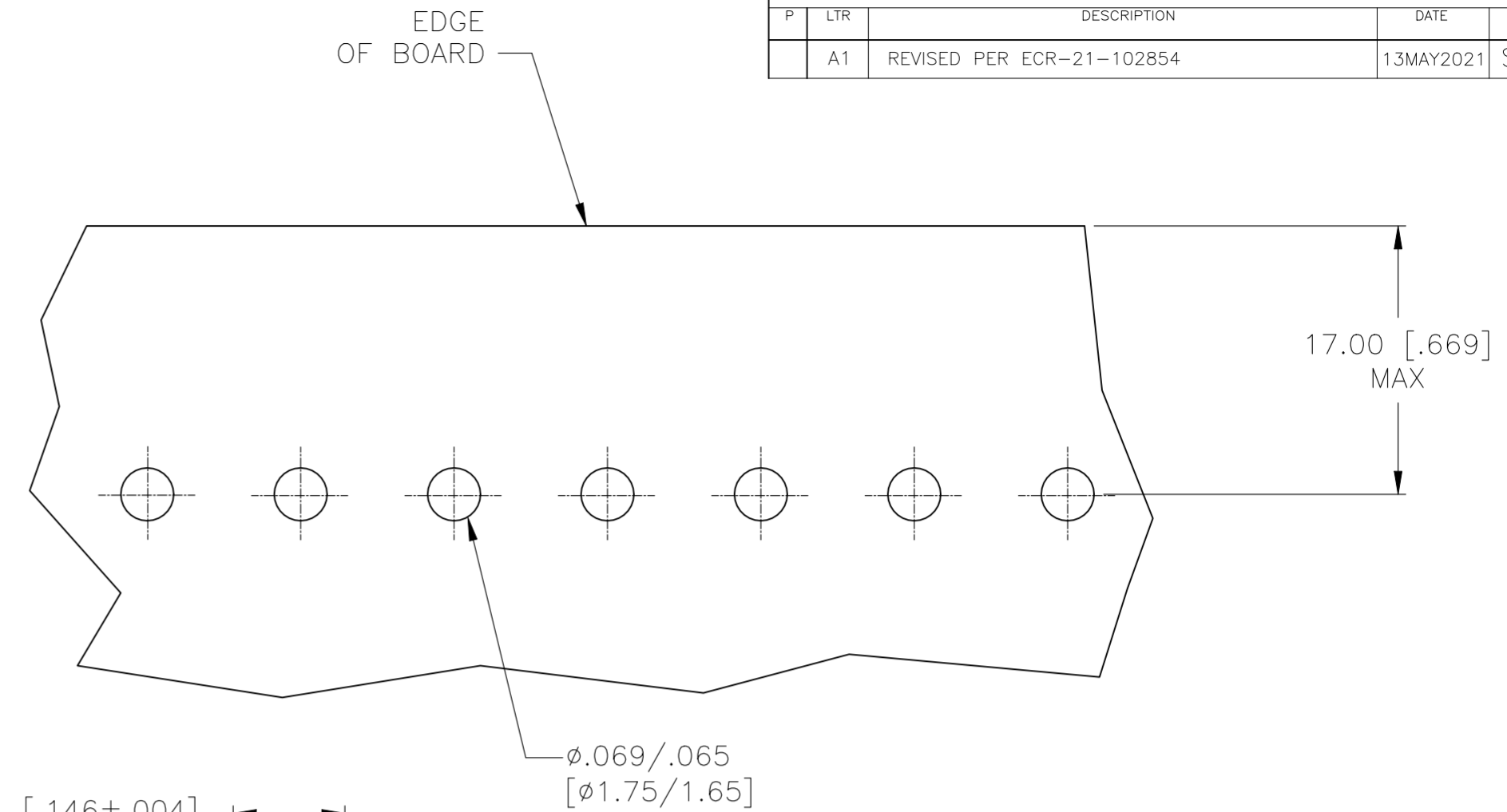
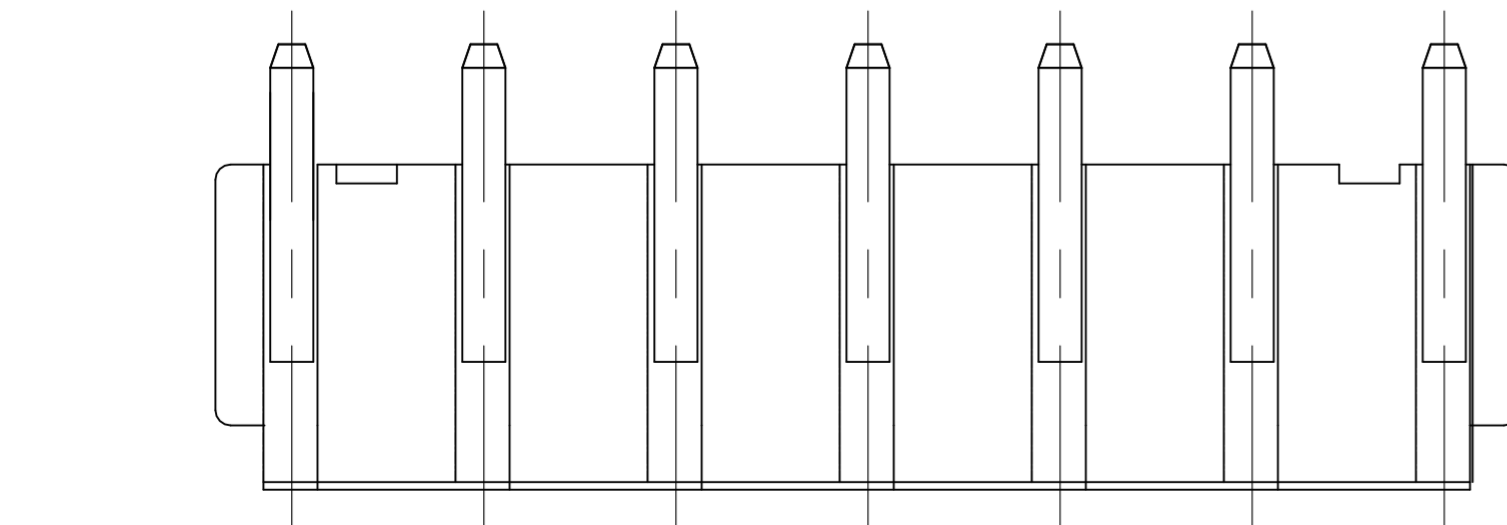
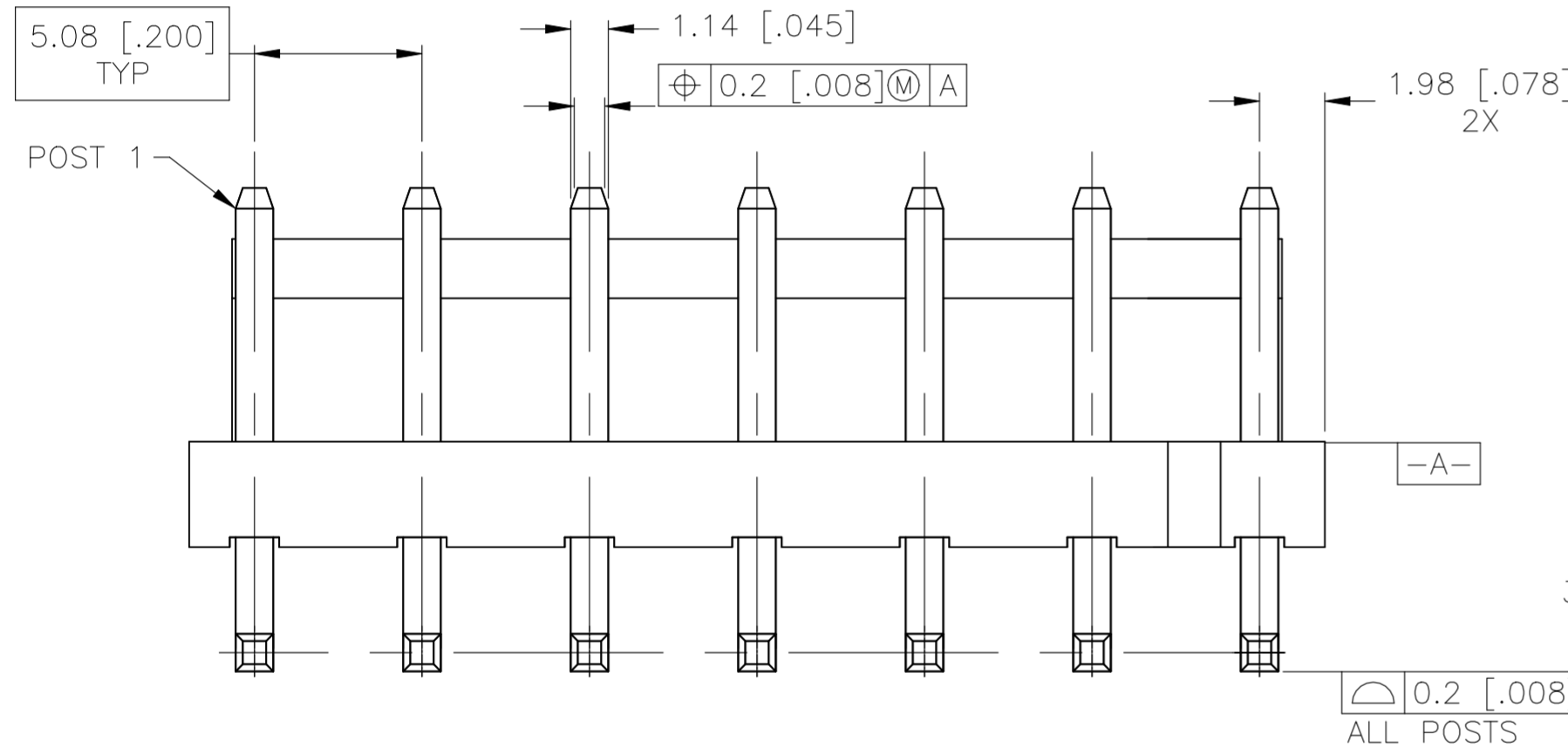
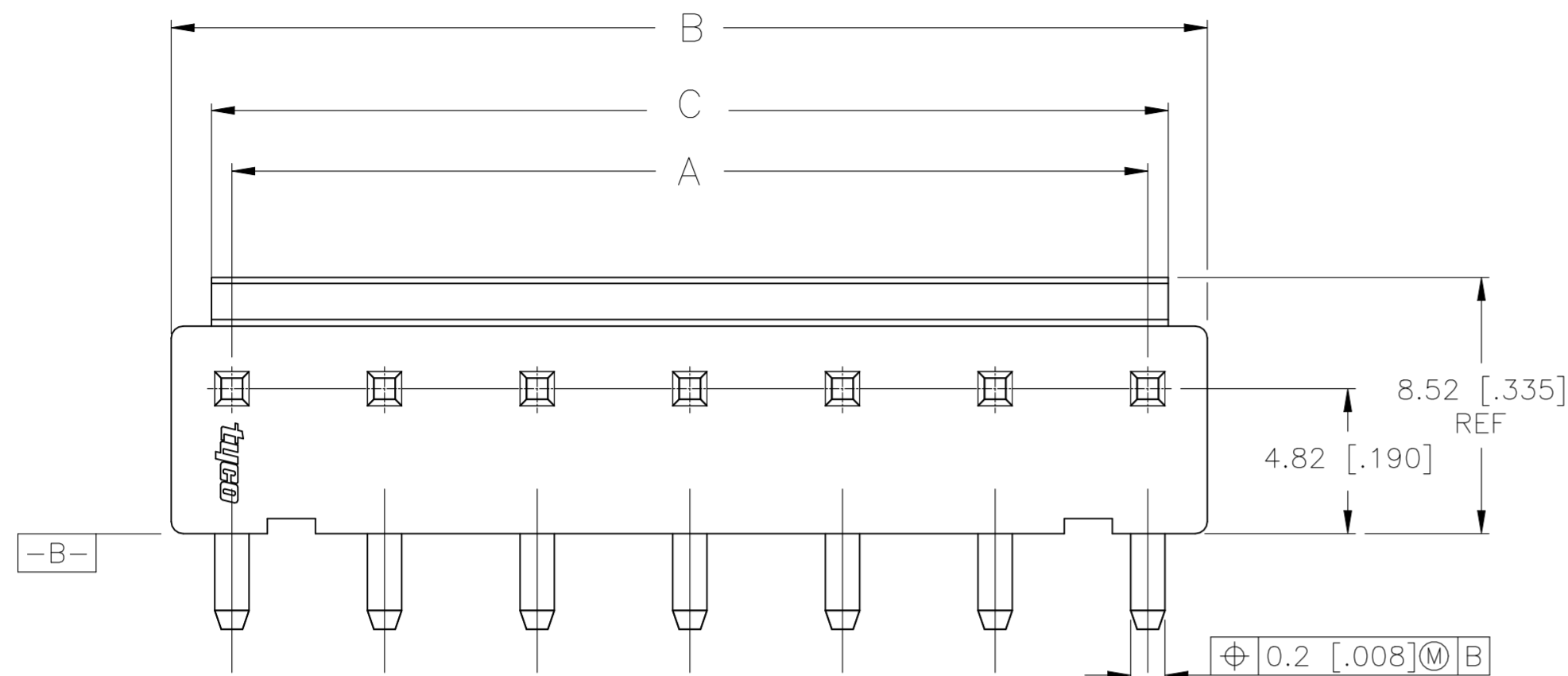


REVISIONS					
P	LTR	DESCRIPTION	DATE	DWN	APVD
A1		REVISED PER ECR-21-102854	13MAY2021	SK	DZ



- 1. HOUSING MATERIAL: NYLON 66, UL 94V-0, NATURAL.
- 2. CONTACT MATERIAL: COPPER ALLOY
- 3. CONTACT PLATING: 0.002[.000080] MIN TIN OVER 0.00076[.000030] MIN NICKEL.

12	57.22 [2.254]	59.84 [2.357]	55.88 [2.200]	1-1744048-2
11	52.14 [2.054]	54.76 [2.157]	50.8 [2.000]	1-1744048-1
10	47.06 [1.854]	49.68 [1.957]	45.72 [1.800]	1-1744048-0
9	41.98 [1.654]	44.6 [1.757]	40.64 [1.600]	1744048-9
8	36.9 [1.453]	39.52 [1.557]	35.56 [1.400]	1744048-8
7	31.82 [1.253]	34.44 [1.356]	30.48 [1.200]	1744048-7
6	26.74 [1.053]	29.36 [1.156]	25.4 [1.000]	1744048-6
5	21.66 [.853]	24.28 [.956]	20.32 [.800]	1744048-5
4	16.58 [.653]	19.2 [.756]	15.24 [.600]	1744048-4
3	11.5 [.453]	14.12 [.556]	10.16 [.400]	1744048-3
2	6.42 [.253]	9.04 [.356]	5.08 [.200]	1744048-2
NO. OF POSITIONS	DIM C ±0.2 [.008]	DIM B ±0.3 [.012]	DIM A ±0.3 [.012]	PART NUMBER

METRIC

THIS DRAWING IS A CONTROLLED DOCUMENT.

DIMENSIONS: mm [INCHES]	TOLERANCES UNLESS OTHERWISE SPECIFIED: 0 PLC ± - 1 PLC ± 0.25 [.010] 2 PLC ± 0.15 [.006] 3 PLC ± - 4 PLC ± - ANGLES ± - FINISH	DWN S. HOOVER 28-APR-2004 CHK J. ELLIS 28-APR-2004 APVD J. ELLIS 28-APR-2004 PRODUCT SPEC APPLICATION SPEC WEIGHT CUSTOMER DRAWING	NAME HEATER ASSEMBLY-ECONOMY POWER RIGHT ANGLE, .200 CENTER LINE SIZE A2 CAGE CODE 00779 DRAWING NO C=1744048 RESTRICTED TO - SCALE 5:1 SHEET 1 OF 1 REV A1
----------------------------	---	--	--

X-ON Electronics

Largest Supplier of Electrical and Electronic Components

Click to view similar products for [Headers & Wire Housings](#) category:

Click to view products by [TE Connectivity](#) manufacturer:

Other Similar products are found below :

[892-18-020-10-001101](#) [58102-G61-06LF](#) [582553-1](#) [0009485154](#) [009176003701906](#) [0050291907](#) [LY20-4P-DT1-P1E-BR](#) [02.125.8002.8](#)
[609-3404](#) [61062-3](#) [61082-181009](#) [622-3653LF](#) [63453-116](#) [636-1030](#) [636-1427](#) [636-3427](#) [636-4007](#) [641938-9](#) [641991-4](#) [644827-2](#) [65817-010LF](#) [65817-015LF](#) [65863-015LF](#) [66207-023LF](#) [67095-007LF](#) [67601157](#) [68645-018](#) [68648-049](#) [70.362.1628.0](#) [70-4210](#) [70-4226B](#) [70-4853B](#) [707-5020](#) [707-5028](#) [71.350.2428.0](#) [71918-208LF](#) [71961-016LF](#) [733-134](#) [733-162](#) [754199-000](#) [760-3052](#) [787-8014-00](#) [79531-3000](#)
[FCN-360C032-B](#) [FCN-367T-T012/H](#) [FCN-723D010/2](#) [80.063.4001.1](#) [800-90-001-10-001000](#) [800-90-010-10-002000](#) [801-43-002-10-013000](#)