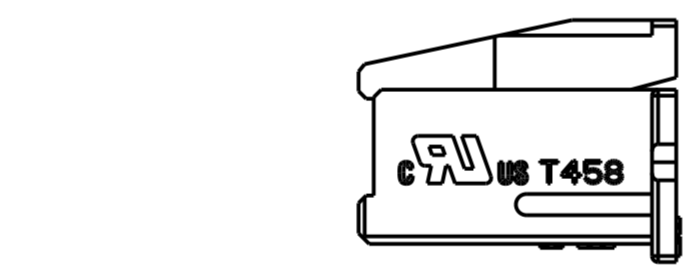
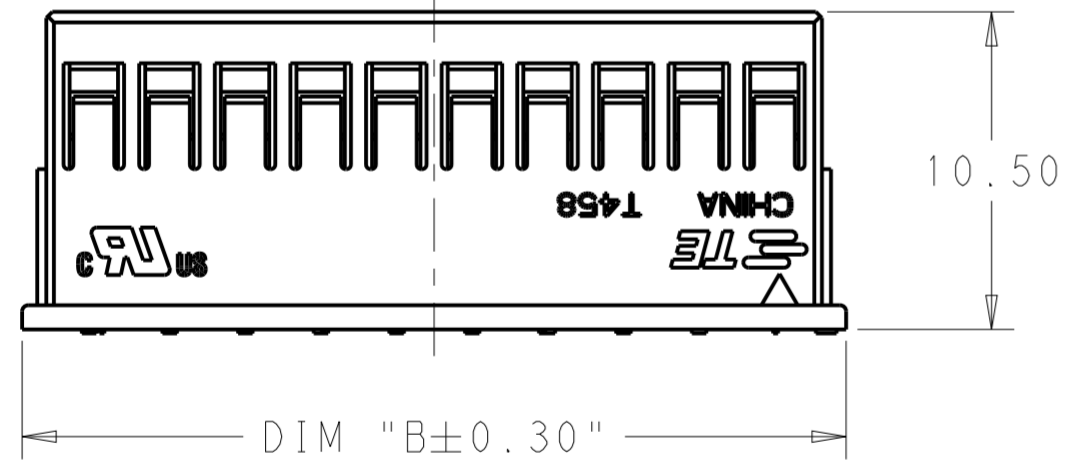
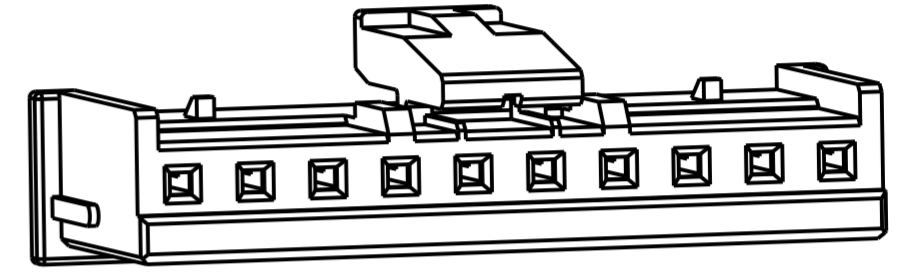
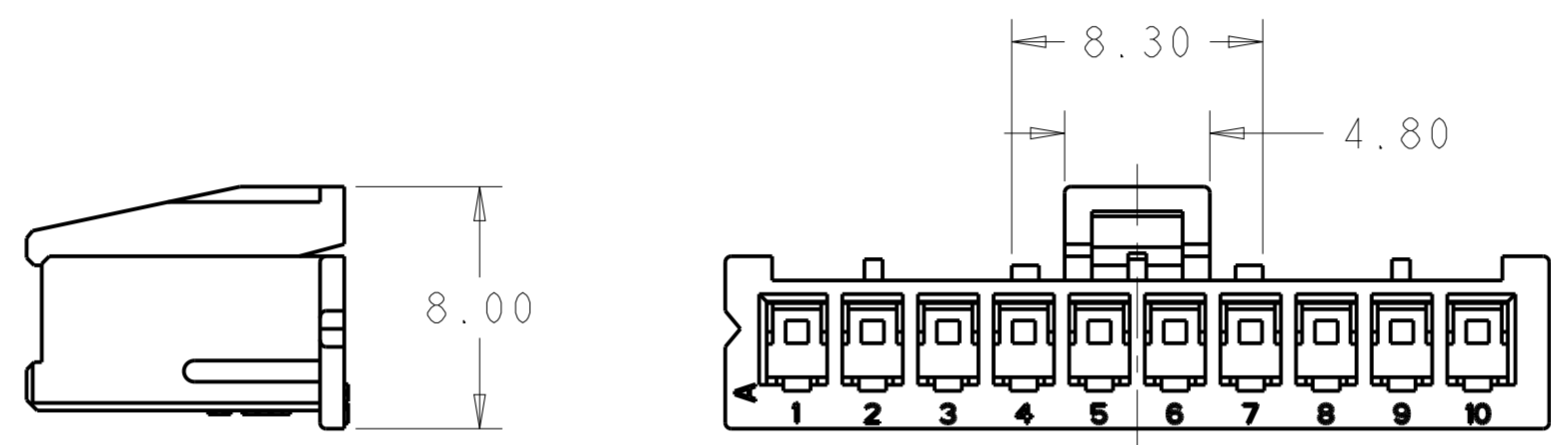
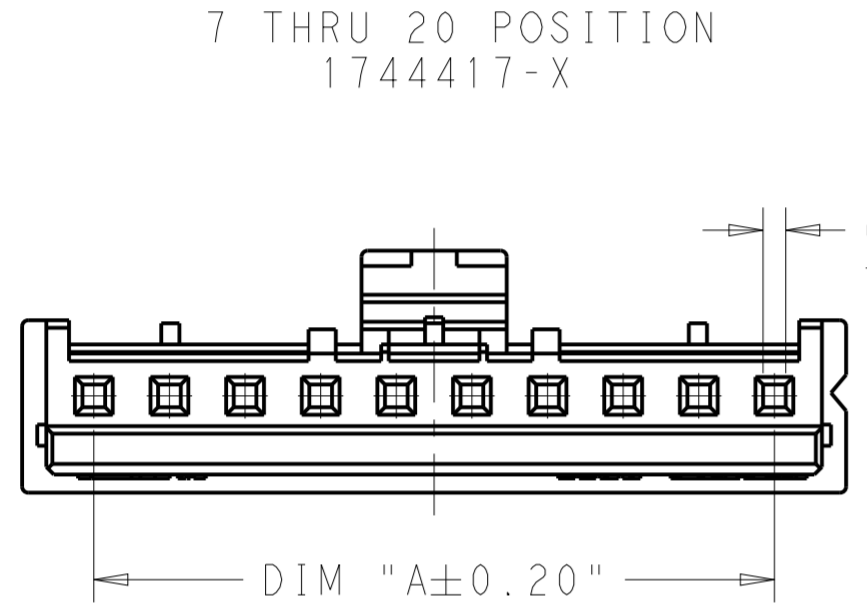
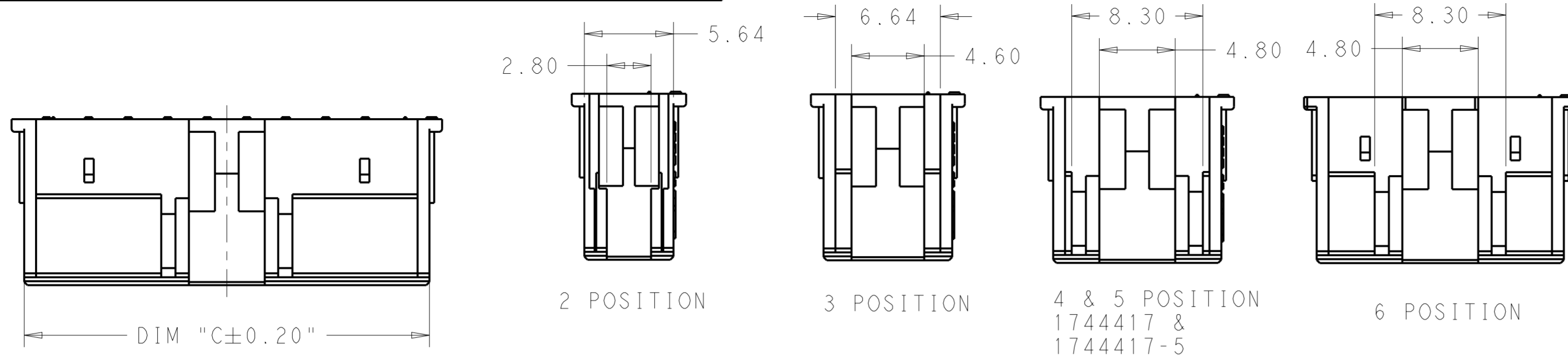


THIS DRAWING IS UNPUBLISHED. RELEASED FOR PUBLICATION
COPYRIGHT copyright.d8te- ALL RIGHTS RESERVED.

| REVISIONS | | | | |
|-----------|-----|---------------------------|-----------|-------|
| P | LTR | DESCRIPTION | DATE | APVD |
| D1 | | REVISED PER ECR-21-100237 | 22JAN2021 | SK DZ |



ALTERNATE LOCATION FOR 2 AND 3 POSITION PARTS

| 50.64 | 52.3 | 47.5 | 20 | 2-1744417-0 |
|-------|-------|-------|------------------|-------------|
| 48.14 | 49.8 | 45.0 | 19 | 1-1744417-9 |
| 45.64 | 47.3 | 42.5 | 18 | 1-1744417-8 |
| 43.14 | 44.8 | 40.0 | 17 | 1-1744417-7 |
| 40.64 | 42.3 | 37.5 | 16 | 1-1744417-6 |
| 38.14 | 39.8 | 35.0 | 15 | 1-1744417-5 |
| 35.64 | 37.3 | 32.5 | 14 | 1-1744417-4 |
| 33.14 | 34.8 | 30.0 | 13 | 1-1744417-3 |
| 30.64 | 32.3 | 27.5 | 12 | 1-1744417-2 |
| 28.14 | 29.8 | 25.0 | 11 | 1-1744417-1 |
| 25.64 | 27.3 | 22.5 | 10 | 1-1744417-0 |
| 23.14 | 24.8 | 20.0 | 9 | 1744417-9 |
| 20.64 | 22.3 | 17.5 | 8 | 1744417-8 |
| 18.14 | 19.8 | 15.0 | 7 | 1744417-7 |
| 15.64 | 17.3 | 12.5 | 6 | 1744417-6 |
| 13.14 | 14.8 | 10.0 | 5 | 1744417-5 |
| 10.64 | 12.3 | 7.5 | 4 | 1744417-4 |
| 8.14 | 9.8 | 5.0 | 3 | 1744417-3 |
| 5.64 | 7.3 | 2.5 | 2 | 1744417-2 |
| DIM C | DIM B | DIM A | NO. OF POSITIONS | PART NUMBER |

LOCATION FOR 4~20 POSITION PARTS

- MATERIAL: NYLON UL94V-0 COLOR: NATURAL
- ACCEPTS TE RECEPTACLE P/N'S 2110989-()
- THESE HOUSINGS CAN ACCEPT OPTIONAL TPA(RETAINER),P/N ()-1969443-()
- MATES WITH TE HEADER ASSEMBLIES:()-1744418-() & ()-1744439-()
- COMPLY WITH GLOW WIRE REQUIREMENTS FOR PARTS OF NON-METALLIC MATERIAL SUPPORTING A CURRENT-CARRYING CONNECTION DETAILED IN IEC 60335-1, SECTION 30(GWT).

THIS DRAWING IS A CONTROLLED DOCUMENT.

| | | | | |
|----------------|---|--|--|---------------------|
| DIMENSIONS: mm | TOLERANCES UNLESS OTHERWISE SPECIFIED: 0 PLC ± 1 PLC ± 2 PLC ±0.25 3 PLC ± 4 PLC ± ANGLES ± FINISH | DWN JR RUTH 23APR15 CHK ASHWINI 23APR15 APVD ASHWINI 23APR15 | TE Connectivity | |
| MATERIAL | | PRODUCT SPEC | NAME ECONOMY POWER 2.5 HOUSING GLOW WIRE | |
| | | APPLICATION SPEC | SIZE A2 | CAGE CODE |
| | | WEIGHT | DRAWING NO C-1744417 | RESTRICTED TO |
| | | Customer Drawing | SCALE 4:1 | SHEET 1 OF 1 REV D1 |

X-ON Electronics

Largest Supplier of Electrical and Electronic Components

Click to view similar products for [Headers & Wire Housings](#) category:

Click to view products by [TE Connectivity](#) manufacturer:

Other Similar products are found below :

[892-18-020-10-001101](#) [58102-G61-06LF](#) [582553-1](#) [0009485154](#) [009176003701906](#) [0050291907](#) [LY20-4P-DT1-P1E-BR](#) [02.125.8002.8](#)
[609-3404](#) [61062-3](#) [61082-181009](#) [622-3653LF](#) [63453-116](#) [636-1030](#) [636-1427](#) [636-3427](#) [636-4007](#) [641938-9](#) [641991-4](#) [644827-2](#) [65817-](#)
[010LF](#) [65817-015LF](#) [65863-015LF](#) [66207-023LF](#) [67095-007LF](#) [67601157](#) [68645-018](#) [68648-049](#) [70.362.1628.0](#) [70-4210](#) [70-4226B](#) [70-](#)
[4853B](#) [707-5020](#) [707-5028](#) [71.350.2428.0](#) [71918-208LF](#) [71961-016LF](#) [733-134](#) [733-162](#) [754199-000](#) [760-3052](#) [79531-3000](#) [FCN-](#)
[360C032-B](#) [FCN-367T-T012/H](#) [FCN-723D010/2](#) [80.063.4001.1](#) [800-90-010-10-002000](#) [801-43-002-10-013000](#) [801-43-006-10-002000](#)
[801-93-011-10-001000](#)