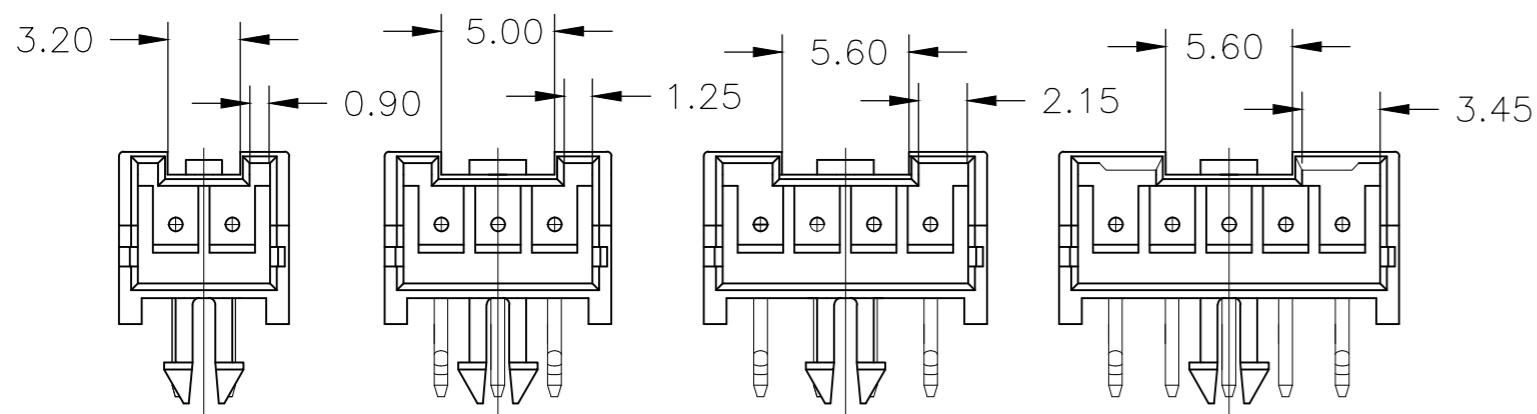
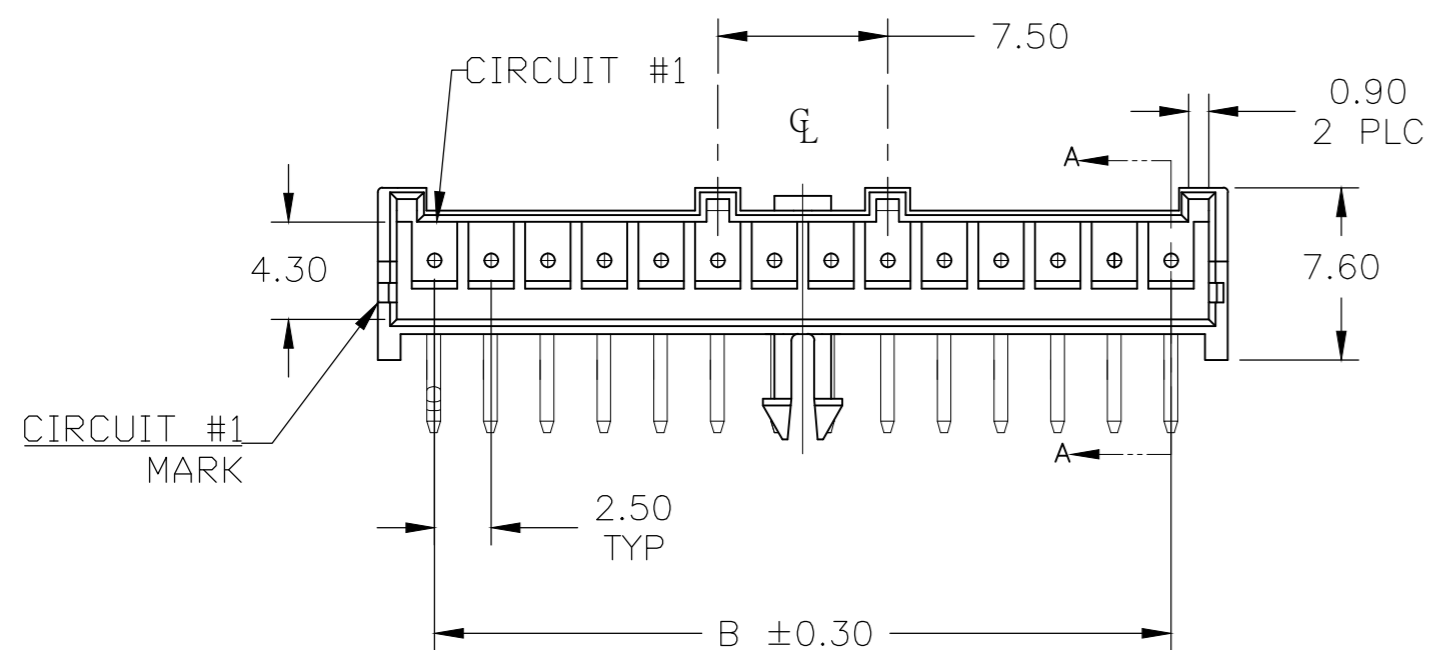
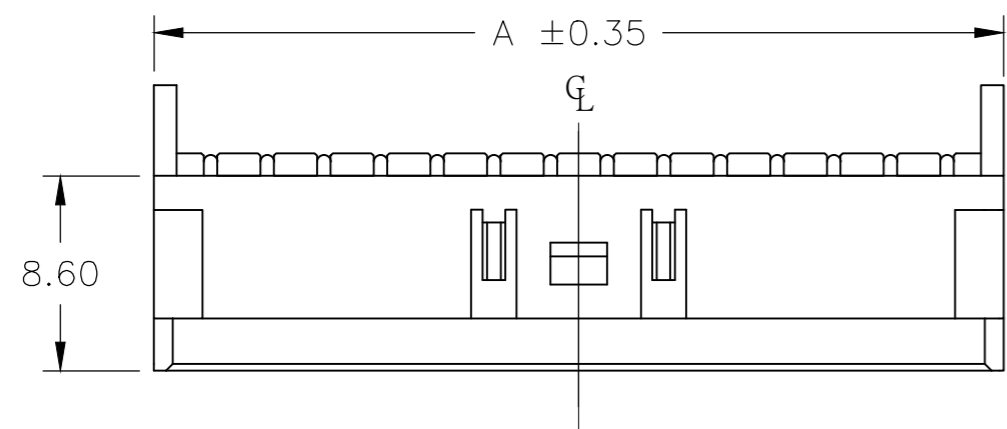
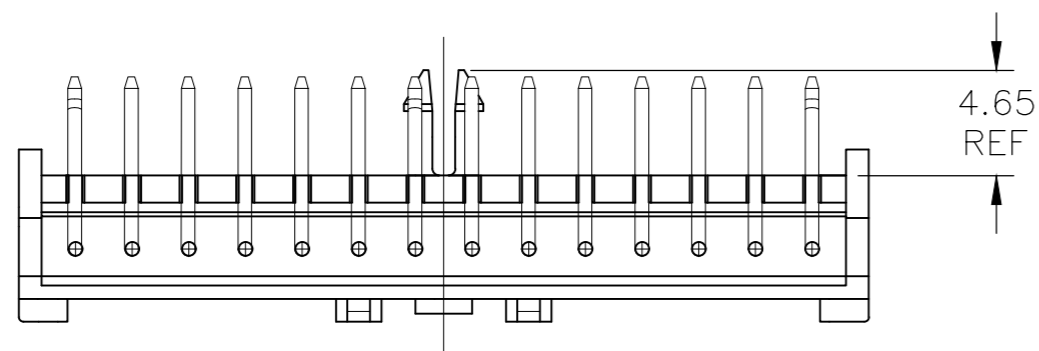


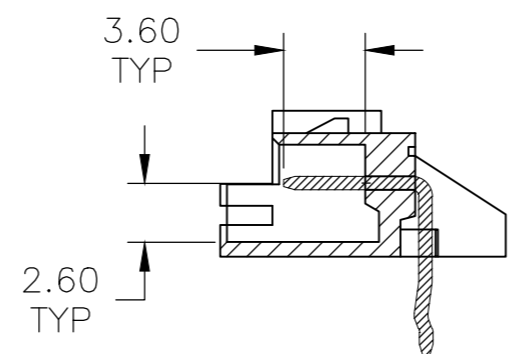
THIS DRAWING IS UNPUBLISHED. RELEASED FOR PUBLICATION
 © COPYRIGHT - By - ALL RIGHTS RESERVED.

REVISIONS				
P	LTR	DESCRIPTION	DATE	APVD
D2		REVISED PER ECR-18-013805	30AUG2018	W.H D.Z

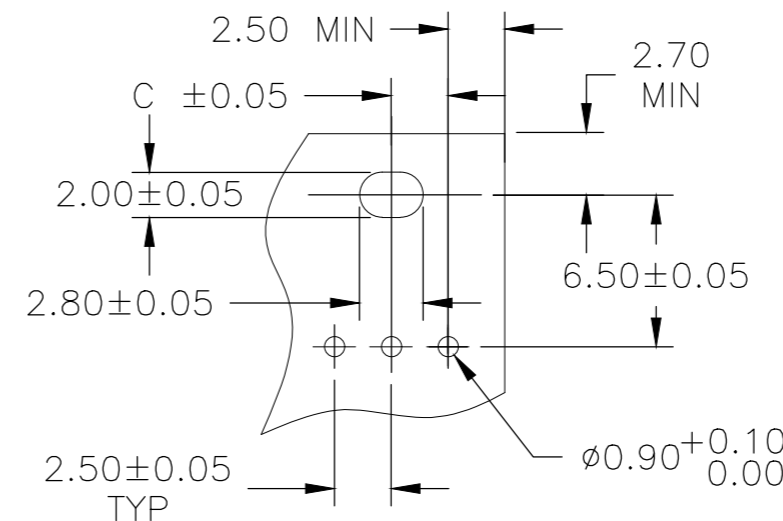
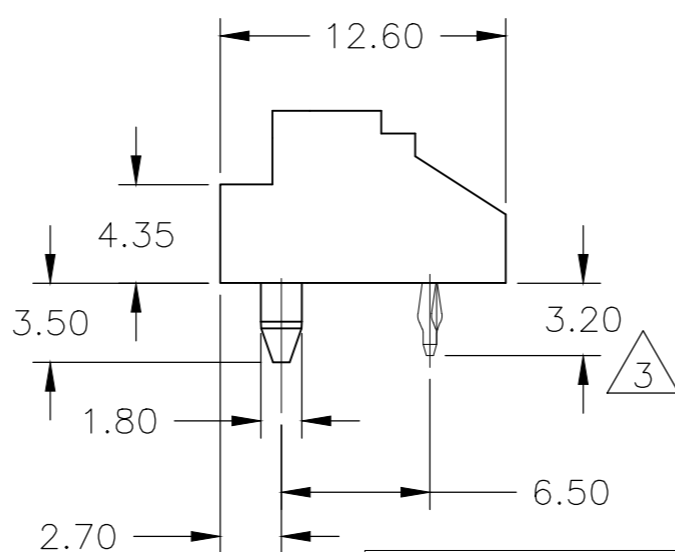
- NOTES:
- MATERIAL,
HOUSING: NYLON 94V0, WHITE.
CONTACT: COPPER ALLOY
 - FINISH: CONTACT: BRIGHT TIN OVER
NICKEL UNDERPLATED OVER ALL
 - CONTACT SOLDER TAIL KINK DIRECTION (BOARD LOCK). OUTER POSITIONS
KINK FRONT, INSIDE POSITION KINK BACK.
 - COMPLY WITH GLOW WIRE REQUIREMENTS FOR PARTS OF NON-METALLIC MATERIAL SUPPORTING
A CURRENT-CARRYING CONNECTION DETAILED IN IEC 60335-1, SECTION 30 (GWT)
 - OMIT SECOND PIN



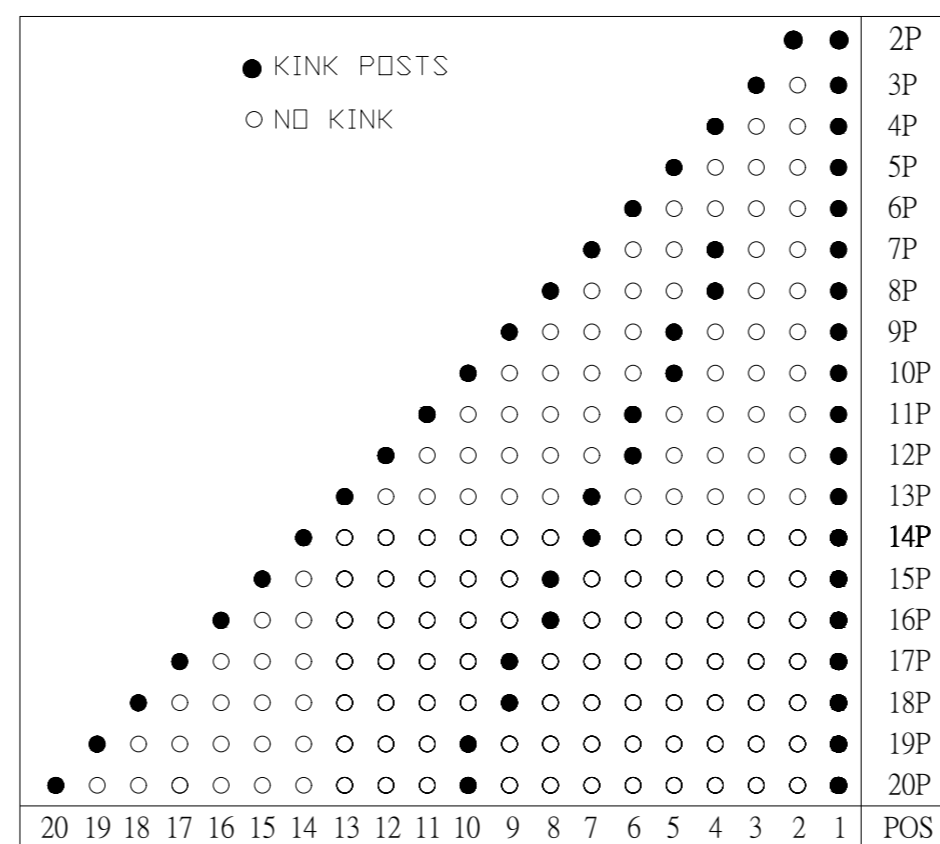
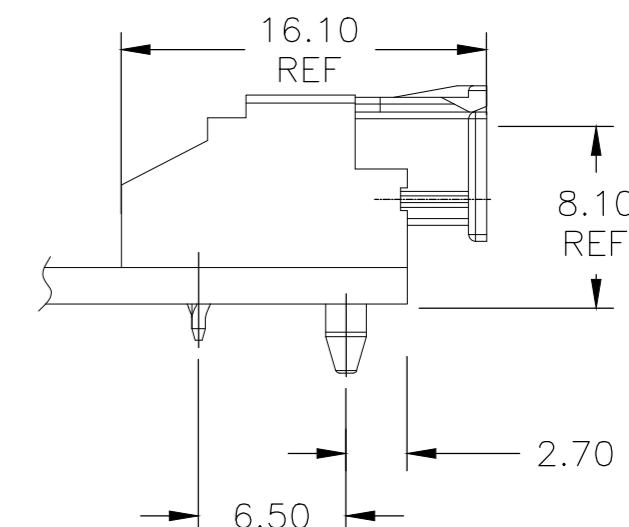
2 POSITION 3 POSITION 4 POSITION 5 POSITION



SECTION A-A



RECOMMENDED PCB LAYOUT



Position of kink

2.50	5.00	10.00	3	3-1744426-3
31.25	47.50	52.50	20	2-1744426-0
28.75	45.00	50.00	19	1-1744426-9
26.25	42.50	47.50	18	1-1744426-8
23.75	40.00	45.00	17	1-1744426-7
21.25	37.50	42.50	16	1-1744426-6
18.75	35.00	40.00	15	1-1744426-5
16.25	32.50	37.50	14	1-1744426-4
15.00	30.00	35.00	13	1-1744426-3
13.75	27.50	32.50	12	1-1744426-2
12.50	25.00	30.00	11	1-1744426-1
11.25	22.50	27.50	10	1-1744426-0
10.00	20.00	25.00	9	1744426-9
8.75	17.50	22.50	8	1744426-8
7.50	15.00	20.00	7	1744426-7
6.25	12.50	17.50	6	1744426-6
5.00	10.00	15.00	5	1744426-5
3.75	7.50	12.50	4	1744426-4
2.50	5.00	10.00	3	1744426-3
1.25	2.50	7.50	2	1744426-2
DIM C	DIM B	DIM A	POS	PART NO.

THIS DRAWING IS A CONTROLLED DOCUMENT.

DWN	JR RUTH	09JAN2012
CHK	SAM MACE	09JAN12
APVD	SAM MACE	09JAN12
PRODUCT SPEC	108-2418	
APPLICATION SPEC	114-13315	
WEIGHT	0	
CUSTOMER DRAWING		

TE Connectivity

NAME: -
 HEADER HOUSING ASSEMBLY, EP 2.5 RIGHT ANGLE

SIZE	CAGE CODE	DRAWING NO	RESTRICTED TO
A2	00779	C=1744426	-

SCALE: N/A SHEET: 1 OF 1 REV: D2

X-ON Electronics

Largest Supplier of Electrical and Electronic Components

Click to view similar products for [Headers & Wire Housings](#) category:

Click to view products by [TE Connectivity](#) manufacturer:

Other Similar products are found below :

[892-18-020-10-001101](#) [58102-G61-06LF](#) [582553-1](#) [0009485154](#) [009176003701906](#) [0050291907](#) [LY20-4P-DT1-P1E-BR](#) [02.125.8002.8](#)
[609-3404](#) [61062-3](#) [61082-181009](#) [622-3653LF](#) [63453-116](#) [636-1030](#) [636-1427](#) [636-3427](#) [636-4007](#) [641938-9](#) [641991-4](#) [644827-2](#) [65817-](#)
[010LF](#) [65817-015LF](#) [65863-015LF](#) [66207-023LF](#) [67095-007LF](#) [67601157](#) [68645-018](#) [68648-049](#) [70.362.1628.0](#) [70-4210](#) [70-4226B](#) [70-](#)
[4853B](#) [707-5020](#) [707-5028](#) [71.350.2428.0](#) [71918-208LF](#) [71961-016LF](#) [733-134](#) [733-162](#) [754199-000](#) [760-3052](#) [79531-3000](#) [FCN-](#)
[360C032-B](#) [FCN-367T-T012/H](#) [FCN-723D010/2](#) [80.063.4001.1](#) [800-90-010-10-002000](#) [801-43-002-10-013000](#) [801-43-006-10-002000](#)
[801-93-011-10-001000](#)