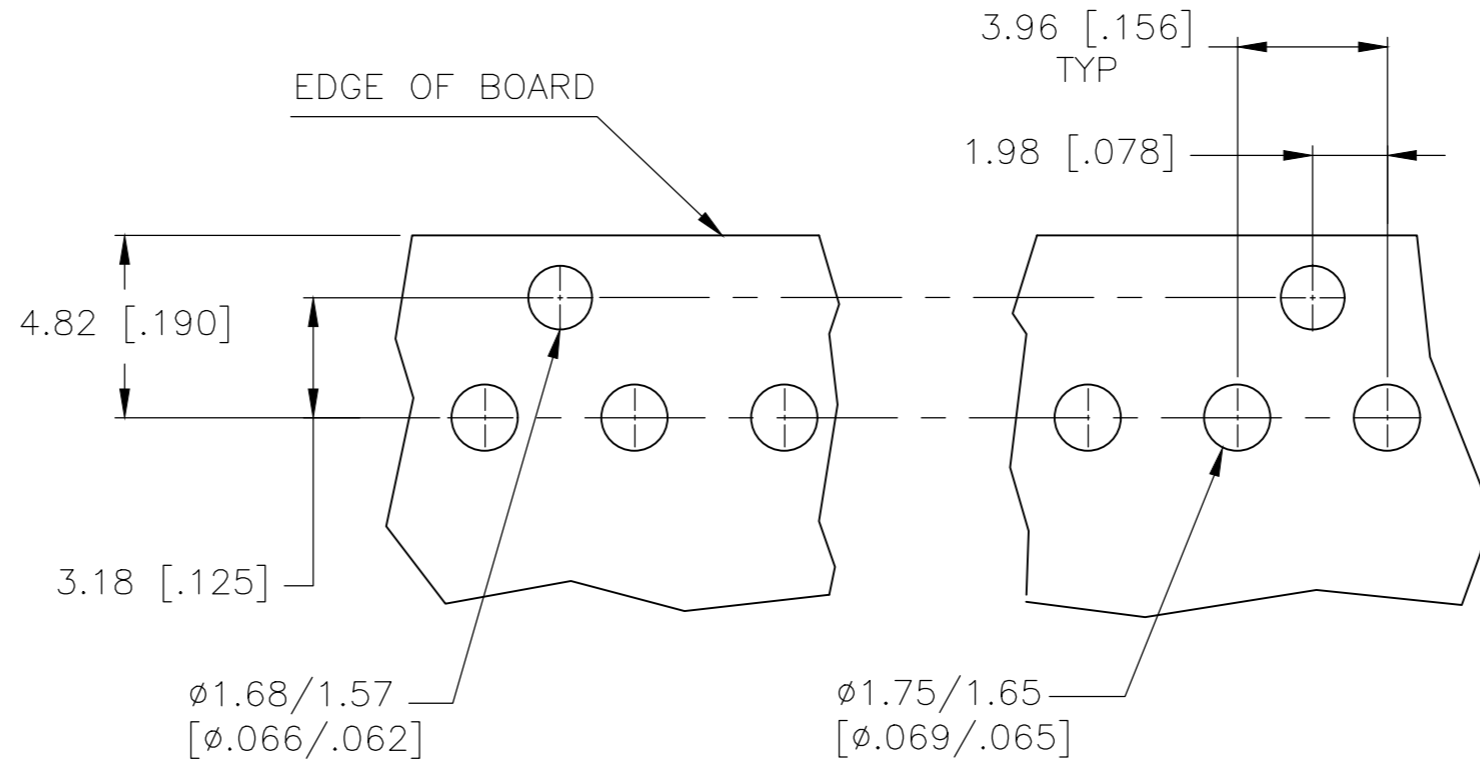
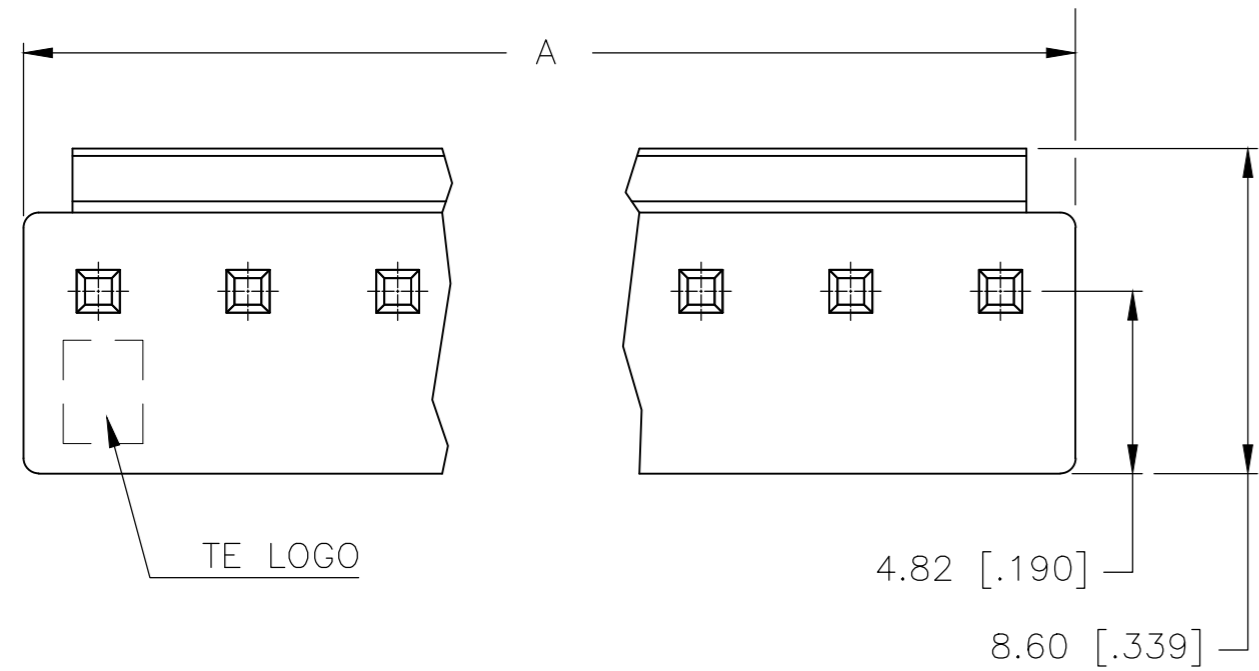


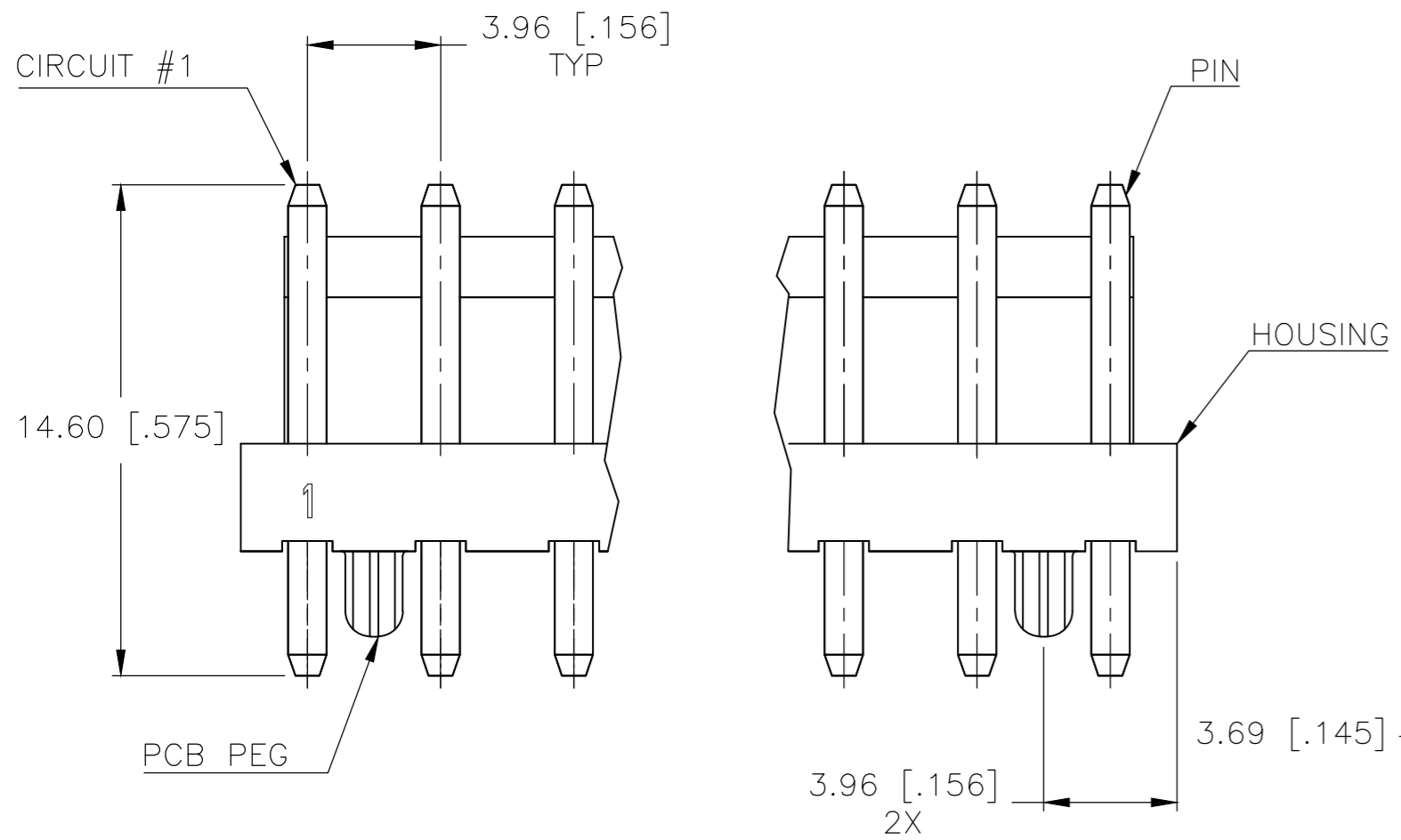
THIS DRAWING IS UNPUBLISHED. RELEASED FOR PUBLICATION
 © COPYRIGHT By - ALL RIGHTS RESERVED.

REVISIONS				
P	LTR	DESCRIPTION	DATE	APVD
D1		REVISED PER ECR-20-100585	20OCT2020	S.K D.Z

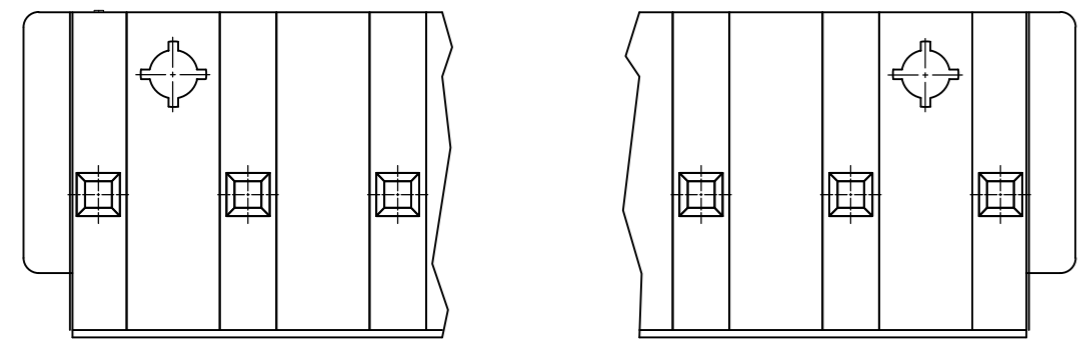


RECOMMENDED MOUNTING HOLE PATTERN FOR 1.60 [.063] THICK PC BOARD

- HOUSING MATERIAL: NYLON, UL94 V0.
 - PIN MATERIAL: BRASS.
 - PIN PLATING: 0.003 [.000120] MIN TIN OVER 0.001 [.000039] MIN NICKEL.
 - 2 POSITION HAS 1 PEG, ALL OTHERS HAVE 2 PEGS.
 - PARTS MEETS IEC 60335-1 GWT (GLOW WIRE TEST) 750°C SPEC.
 - SKETCHES SHOW NO PINS MISSING.
- △ "O" WITH PIN
 "X" WITHOUT PIN.



PIN POSITIONS	NO. OF POSITIONS	COLOR	mm	IN	PART NUMBER
O X O X O X O	7	NATURAL	27.72	[1.091]	1-1744429-7
O X O O X O	6	NATURAL	23.76	[0.935]	2-1744429-6
O O X O O O O O	9	NATURAL	35.64	[1.403]	1-1744429-9
O O X O O O	6	NATURAL	23.76	[0.935]	1-1744429-6
O X O O	4	NATURAL	15.84	[0.624]	1-1744429-4
O X O X O	5	NATURAL	19.80	[0.780]	1-1744429-5
O X O	3	NATURAL	11.88	[0.468]	1-1744429-3
O O O O O O O O O	9	NATURAL	35.64	[1.403]	1744429-9
O O O O O O O O	8	NATURAL	31.68	[1.247]	1744429-8
O O O O O O O	7	NATURAL	27.72	[1.091]	1744429-7
O O O O O O	6	NATURAL	23.76	[0.935]	1744429-6
O O O O O	5	NATURAL	19.80	[0.780]	1744429-5
O O O O	4	NATURAL	15.84	[0.624]	1744429-4
O O O	3	NATURAL	11.88	[0.468]	1744429-3
O O	2	NATURAL	7.92	[0.312]	1744429-2



THIS DRAWING IS A CONTROLLED DOCUMENT.

DIMENSIONS: mm [INCHES]

TOLERANCES UNLESS OTHERWISE SPECIFIED:

0 PLC	±
1 PLC	± 0.5 [.020]
2 PLC	± 0.30 [.012]
3 PLC	± -
4 PLC	± -
ANGLES	±
FINISH	±

MATERIAL: SEE NOTES

THIS DRAWING IS A CONTROLLED DOCUMENT.

DWN: JR RUTH 09JAN12
 CHK: SAM MACE 09JAN12
 APVD: SAM MACE 09JAN12

PRODUCT SPEC: 108-5609

APPLICATION SPEC

WEIGHT: A2

CAGE CODE: 00779

DRAWING NO: C=1744429

RESTRICTED TO: -

SCALE: 5:1

SHEET: 1 of 1

REV: D1

TE Connectivity

HEADER ASSEMBLY-ECONOMY POWER VERTICAL, W/RETENTION PEGS

X-ON Electronics

Largest Supplier of Electrical and Electronic Components

Click to view similar products for [Headers & Wire Housings](#) category:

Click to view products by [TE Connectivity](#) manufacturer:

Other Similar products are found below :

[95000-104TRLF](#) [10135584-644402LF](#) [DF62W-EP2022PCA](#) [95000-106TRLF](#) [DF62W-2022SCA](#) [DF62W-EP2022PC](#) [2203348](#) [DF62W-2022SC](#) [1084018](#) [1029039](#) [1084017](#) [802-10-012-10-002000](#) [1112640](#) [1112639](#) [000-34000](#) [0009482033](#) [0009507031](#) [57102-S06-03LF](#) [57202-S52-04LF](#) [PCN6-15S-2.5E](#) [0039019024](#) [58102-G61-06LF](#) [582553-1](#) [0009508121](#) [0050291907](#) [018731A](#) [LY20-4P-DT1-P1E-BR](#) [02.125.8002.8](#) [60101931](#) [60598-1 \(Cut Strip\)](#) [M1625-3R/100](#) [61062-3](#) [61082-181009](#) [636-1427](#) [638009-1](#) [641938-9](#) [641991-4](#) [644168-1](#) [647662-1](#) [65039-019ELF](#) [65817-002LF](#) [65817-015LF](#) [65863-015LF](#) [66207-023LF](#) [67016-026LF](#) [67046-001LF](#) [67095-007LF](#) [68002-116](#) [68016-236H](#) [68648-049](#)