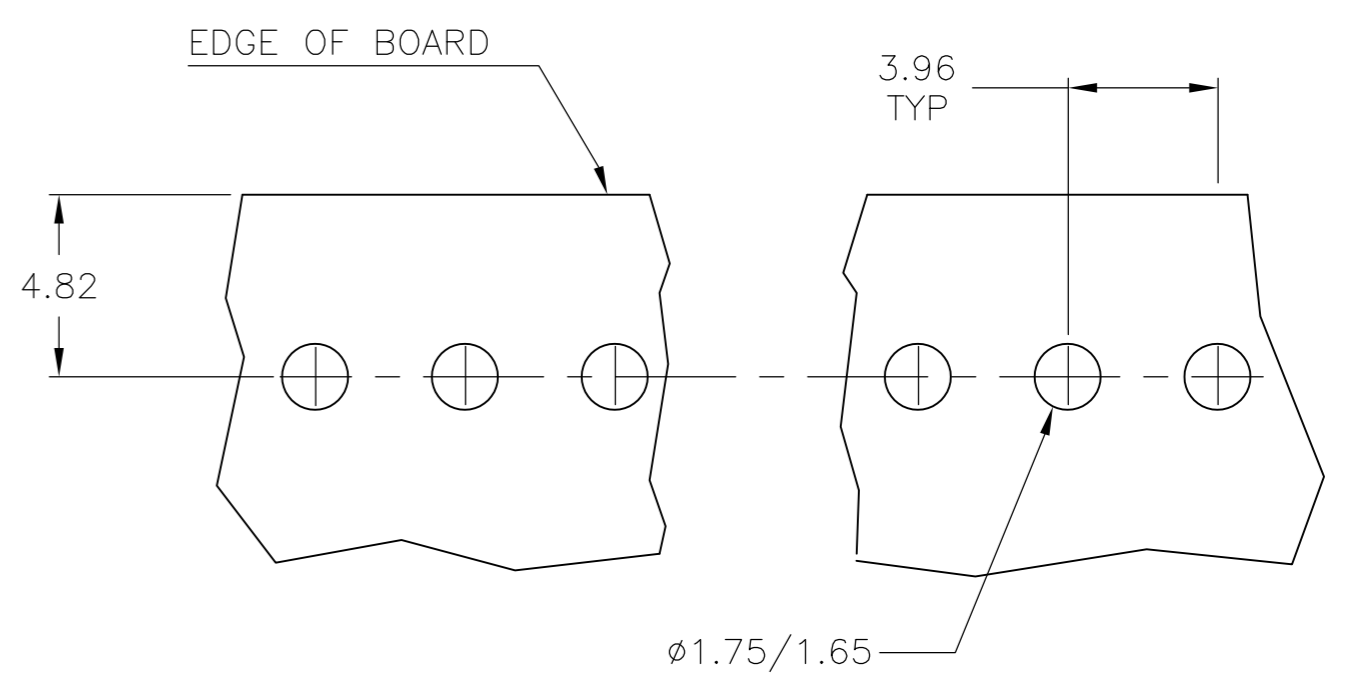
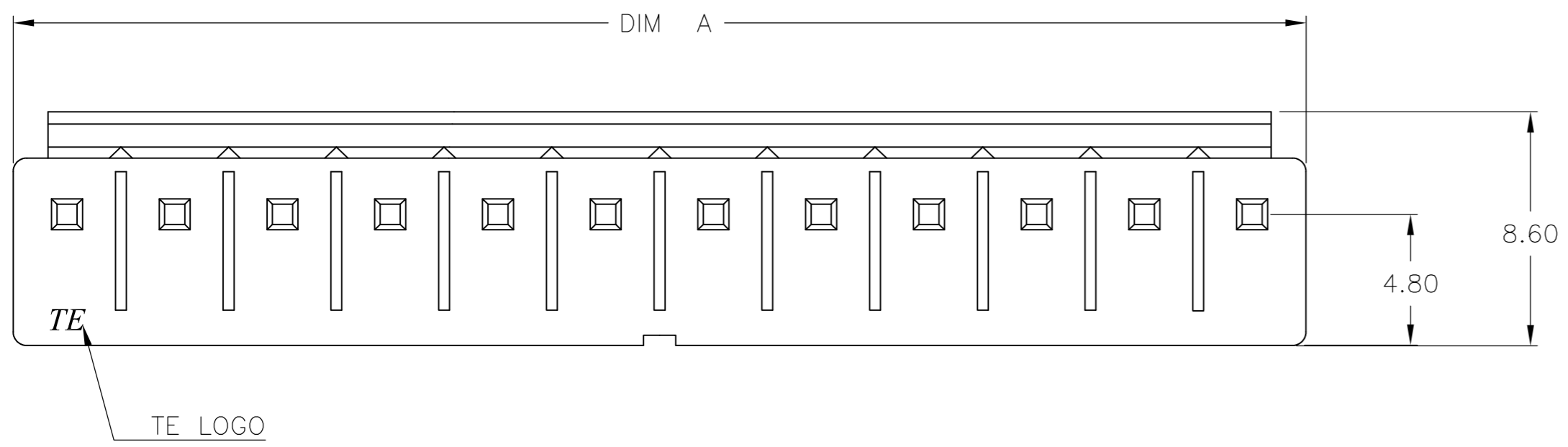
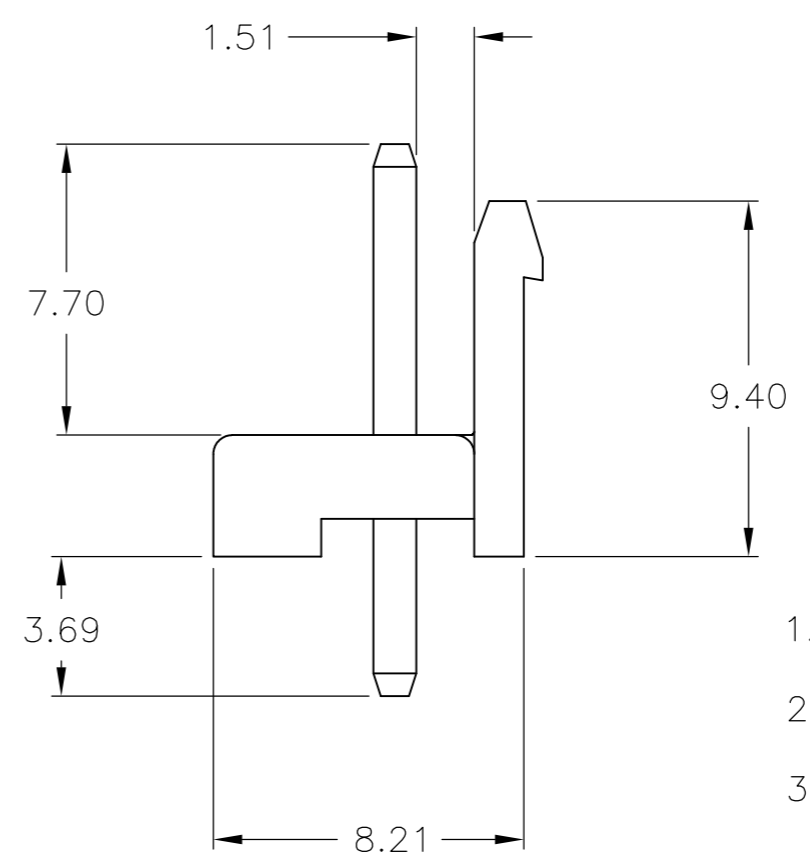
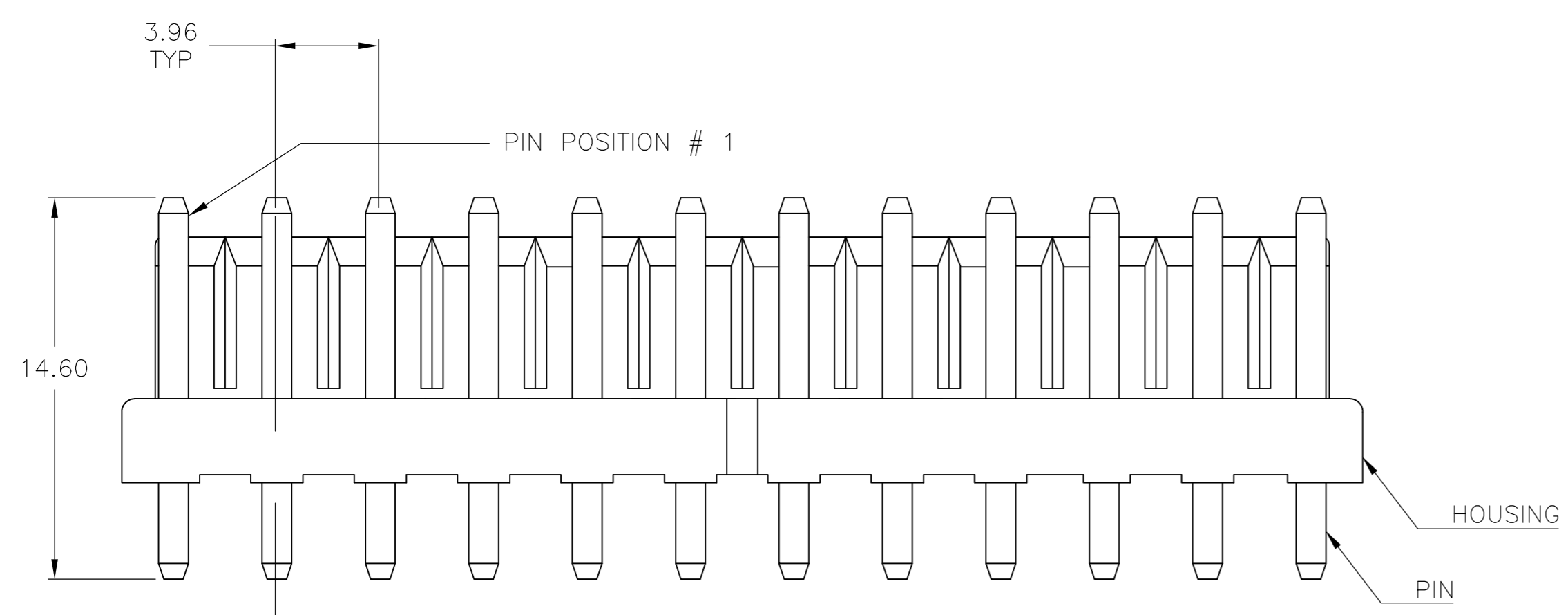


THIS DRAWING IS UNPUBLISHED. RELEASED FOR PUBLICATION
 © COPYRIGHT By - ALL RIGHTS RESERVED.

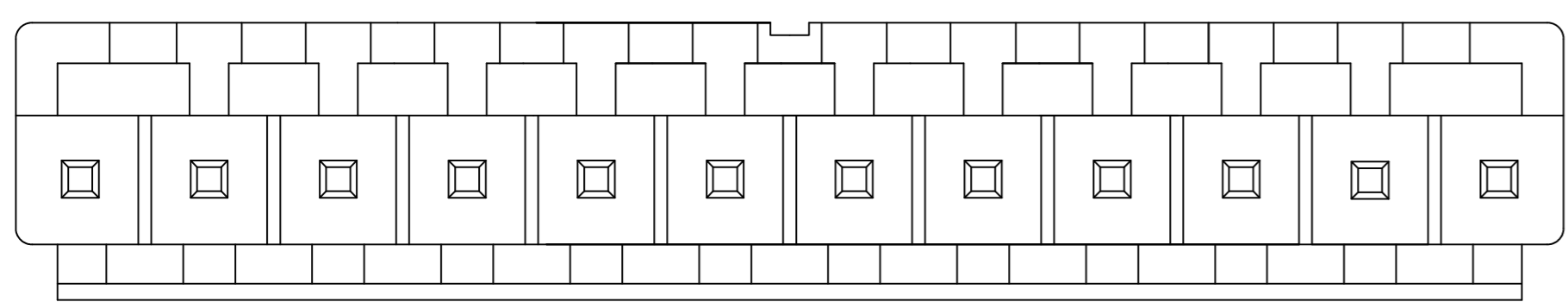
| LOC | | DIST | | REVISIONS | | | |
|-----|-----|-------------|---------------------------|-----------|---------|------|-----|
| P | LTR | DESCRIPTION | | DATE | DWN | APVD | |
| GP | 00 | D2 | REVISED PER ECR-15-000133 | | 15JAN15 | O.C | D.Z |



RECOMMENDED MOUNTING HOLE PATTERN FOR 1.60 THICK PC BOARD



1. HOUSING MATERIAL: NYLON, UL94 V0.
2. PIN MATERIAL: BRASS.
3. PIN PLATING: 0.0030 MIN TIN OVER 0.0010 NICKEL.
4. COMPLY WITH GLOW WIRE REQUIREMENTS FOR PARTS OF NON-METALLIC MATERIAL SUPPORTING A CURRENT-CARRYING CONNECTION DETAILED IN IEC 60335-1, SECTION 30 (GWT).



1-1744489-2 SHOWN
SEE THE TABLE FOR PART NUMBER INFORMATION

| 12 | NATURAL | 47.52±0.30 | 1-1744489-2 |
|------------------|---------|------------|-------------|
| 11 | NATURAL | 43.56±0.30 | 1-1744489-1 |
| 10 | NATURAL | 39.60±0.30 | 1-1744489-0 |
| NO. OF POSITIONS | COLOR | DIM A | PART NUMBER |

| | | | | |
|--|--|-----------------------------------|---|--|
| THIS DRAWING IS A CONTROLLED DOCUMENT. | | DWN B WAYNE 10NOV14 | TE Connectivity HEADER ASSEMBLY-ECONOMY POWER VERTICAL | |
| DIMENSIONS: mm | | CHK TOM MICHELUTTI 10NOV14 | | |
| TOLERANCES UNLESS OTHERWISE SPECIFIED: | | APVD TOM MICHELUTTI 10NOV14 | NAME | |
| 0 PLC ± | | PRODUCT SPEC | 108-5609 | |
| 1 PLC ± 0.5 | | APPLICATION SPEC | SCALE | |
| 2 PLC ± 0.30 | | WEIGHT | A2 00779 | |
| 3 PLC ± - | | CUSTOMER DRAWING | CAGE CODE | |
| 4 PLC ± - | | FINISH | 00779 | |
| ANGLES ± | | SIZE | DRAWING NO | |
| FINISH | | SCALE | 1-1744489-2 | |
| MATERIAL SEE NOTES | | SHEET | REV | |
| | | 1 of 1 | D2 | |

X-ON Electronics

Largest Supplier of Electrical and Electronic Components

Click to view similar products for [Headers & Wire Housings](#) category:

Click to view products by [TE Connectivity](#) manufacturer:

Other Similar products are found below :

[892-18-020-10-001101](#) [58102-G61-06LF](#) [582553-1](#) [0009485154](#) [009176003701906](#) [0050291907](#) [LY20-4P-DT1-P1E-BR](#) [02.125.8002.8](#)
[609-3404](#) [61062-3](#) [61082-181009](#) [622-3653LF](#) [63453-116](#) [636-1030](#) [636-1427](#) [636-3427](#) [636-4007](#) [641938-9](#) [641991-4](#) [644827-2](#) [65817-](#)
[010LF](#) [65817-015LF](#) [65863-015LF](#) [66207-023LF](#) [67095-007LF](#) [67601157](#) [68645-018](#) [68648-049](#) [70.362.1628.0](#) [70-4210](#) [70-4226B](#) [70-](#)
[4853B](#) [707-5020](#) [707-5028](#) [71.350.2428.0](#) [71918-208LF](#) [71961-016LF](#) [733-134](#) [733-162](#) [754199-000](#) [760-3052](#) [787-8014-00](#) [79531-3000](#)
[FCN-360C032-B](#) [FCN-367T-T012/H](#) [FCN-723D010/2](#) [80.063.4001.1](#) [800-90-001-10-001000](#) [800-90-010-10-002000](#) [801-43-002-10-013000](#)