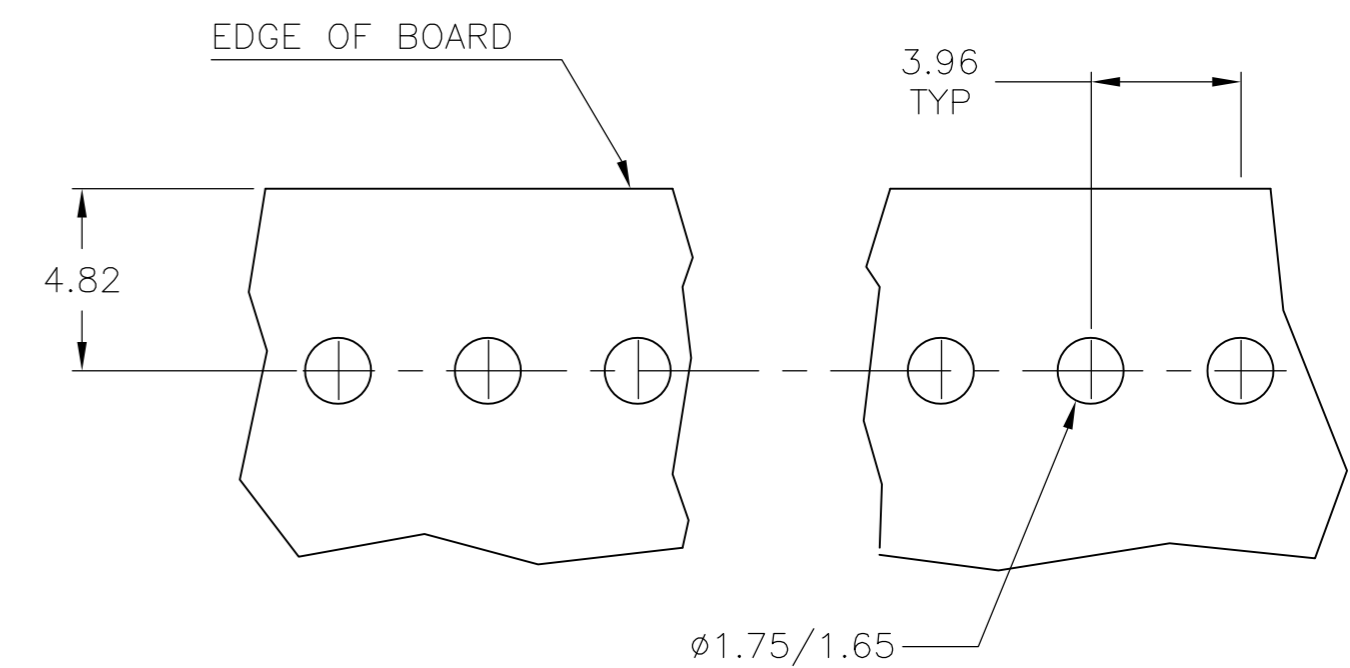
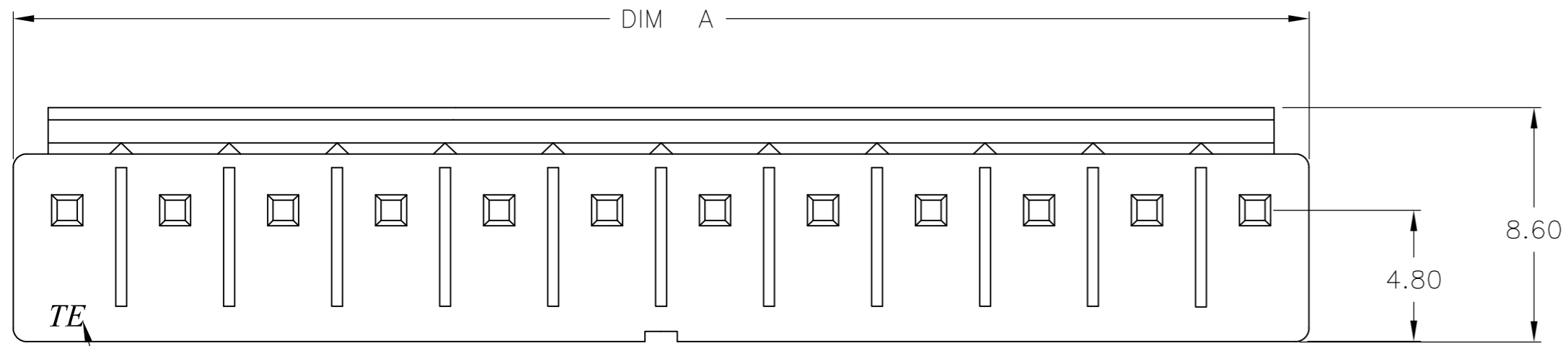
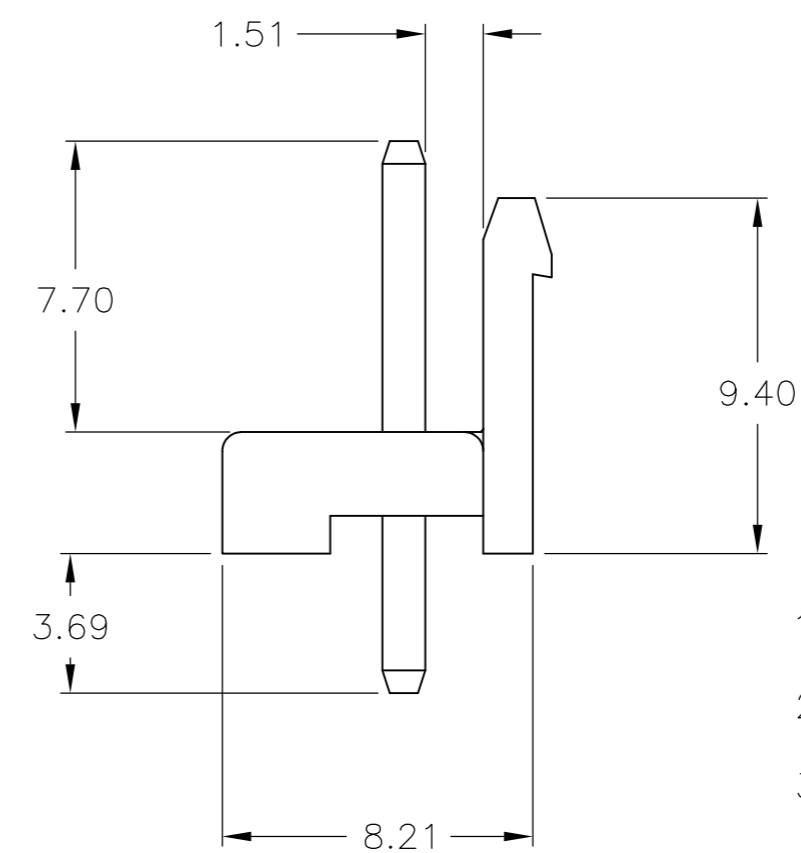
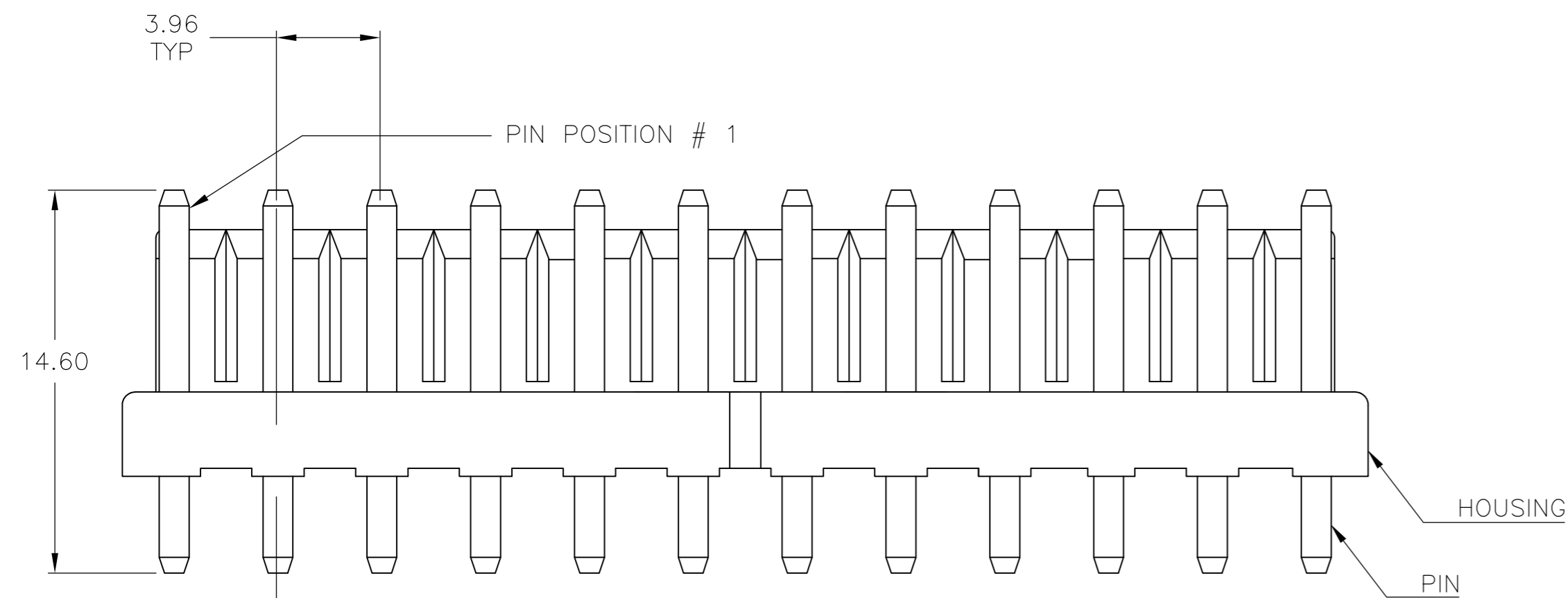


THIS DRAWING IS UNPUBLISHED. RELEASED FOR PUBLICATION  
 © COPYRIGHT By - ALL RIGHTS RESERVED.

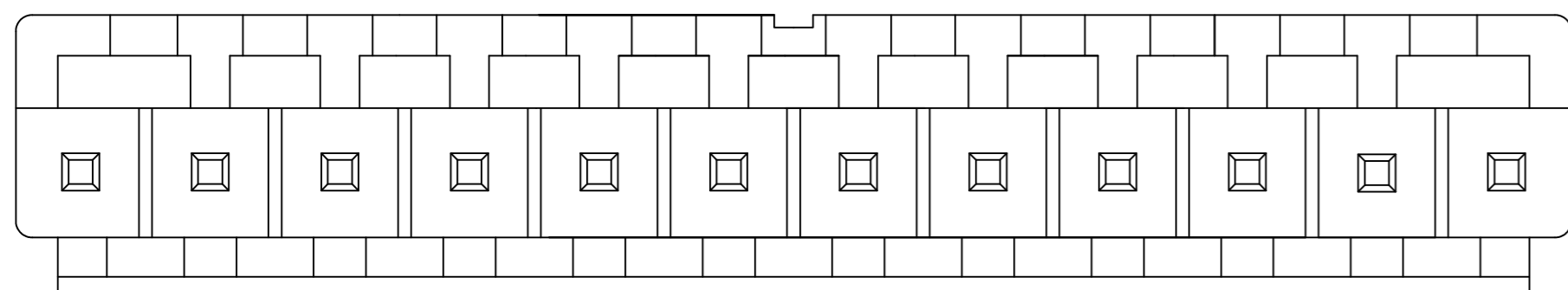
LOC		DIST		REVISIONS			
P	LTR	DESCRIPTION		DATE	DWN	APVD	
GP	00	D2	REVISED PER ECR-15-000133		15JAN15	O.C	D.Z



RECOMMENDED MOUNTING HOLE PATTERN FOR 1.60 THICK PC BOARD



1. HOUSING MATERIAL: NYLON, UL94 V0.
2. PIN MATERIAL: BRASS.
3. PIN PLATING: 0.0030 MIN TIN OVER 0.0010 NICKEL.
4. COMPLY WITH GLOW WIRE REQUIREMENTS FOR PARTS OF NON-METALLIC MATERIAL SUPPORTING A CURRENT-CARRYING CONNECTION DETAILED IN IEC 60335-1, SECTION 30 (GWT).



1-1744489-2 SHOWN  
 SEE THE TABLE FOR PART NUMBER INFORMATION

12	NATURAL	47.52±0.30	1-1744489-2
11	NATURAL	43.56±0.30	1-1744489-1
10	NATURAL	39.60±0.30	1-1744489-0
NO. OF POSITIONS	COLOR	DIM A	PART NUMBER

THIS DRAWING IS A CONTROLLED DOCUMENT.		DWN B WAYNE 10NOV14	TE Connectivity	
DIMENSIONS: mm		CHK TOM MICHELUTTI 10NOV14	NAME B WAYNE	
TOLERANCES UNLESS OTHERWISE SPECIFIED: 0 PLC ± 1 PLC ± 0.5 2 PLC ± 0.30 3 PLC ± - 4 PLC ± ANGLES ±		APVD TOM MICHELUTTI 10NOV14	PRODUCT SPEC 108-5609	
MATERIAL SEE NOTES		FINISH	APPLICATION SPEC	RESTRICTED TO
		WEIGHT	SIZE A2	CAGE CODE 00779
		CUSTOMER DRAWING	DRAWING NO C=1-1744489-2	SCALE N/A
			SHEET 1 of 1	REV D2

## X-ON Electronics

Largest Supplier of Electrical and Electronic Components

*Click to view similar products for [Headers & Wire Housings](#) category:*

*Click to view products by [TE Connectivity](#) manufacturer:*

Other Similar products are found below :

[95000-104TRLF](#) [10135584-644402LF](#) [DF62W-EP2022PCA](#) [95000-106TRLF](#) [DF62W-2022SCA](#) [DF62W-EP2022PC](#) [2203348](#) [DF62W-2022SC](#) [1084018](#) [1029039](#) [1084017](#) [802-10-012-10-002000](#) [1112640](#) [1112639](#) [000-34000](#) [0009482033](#) [0009507031](#) [57102-S06-03LF](#) [57202-S52-04LF](#) [PCN6-15S-2.5E](#) [0039019024](#) [58102-G61-06LF](#) [582553-1](#) [0009508121](#) [0050291907](#) [018731A](#) [LY20-4P-DT1-P1E-BR](#) [02.125.8002.8](#) [60101931](#) [60598-1 \(Cut Strip\)](#) [M1625-3R/100](#) [61062-3](#) [61082-181009](#) [636-1427](#) [638009-1](#) [641938-9](#) [641991-4](#) [644168-1](#) [647662-1](#) [65039-019ELF](#) [65817-002LF](#) [65817-015LF](#) [65863-015LF](#) [66207-023LF](#) [67016-026LF](#) [67046-001LF](#) [67095-007LF](#) [68002-116](#) [68016-236H](#) [68648-049](#)