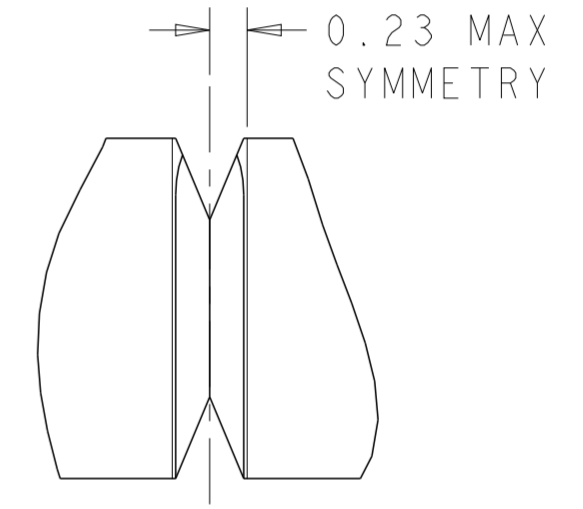
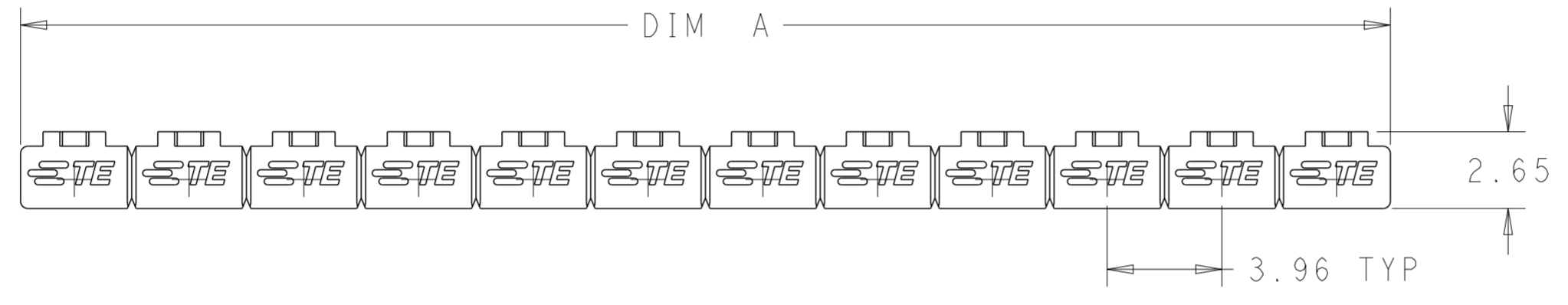
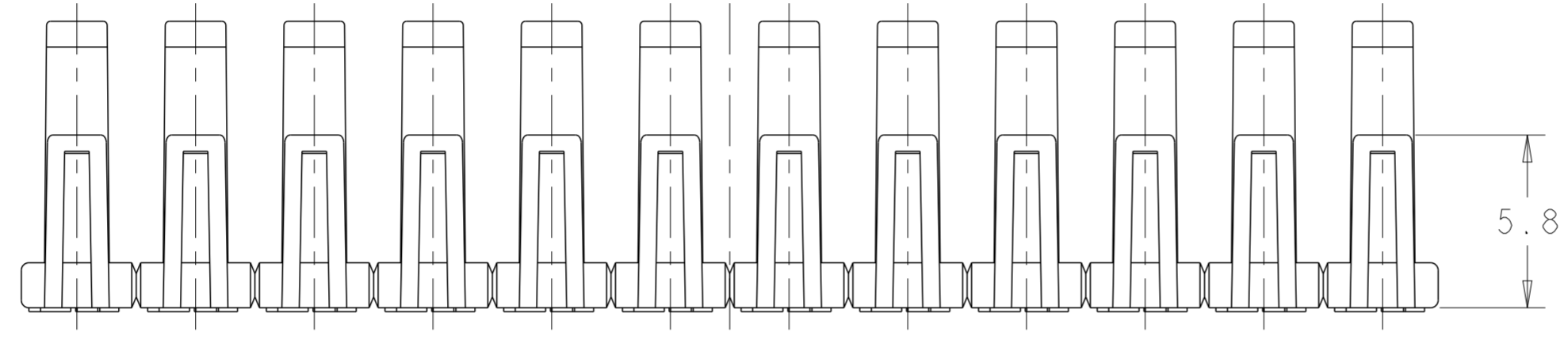


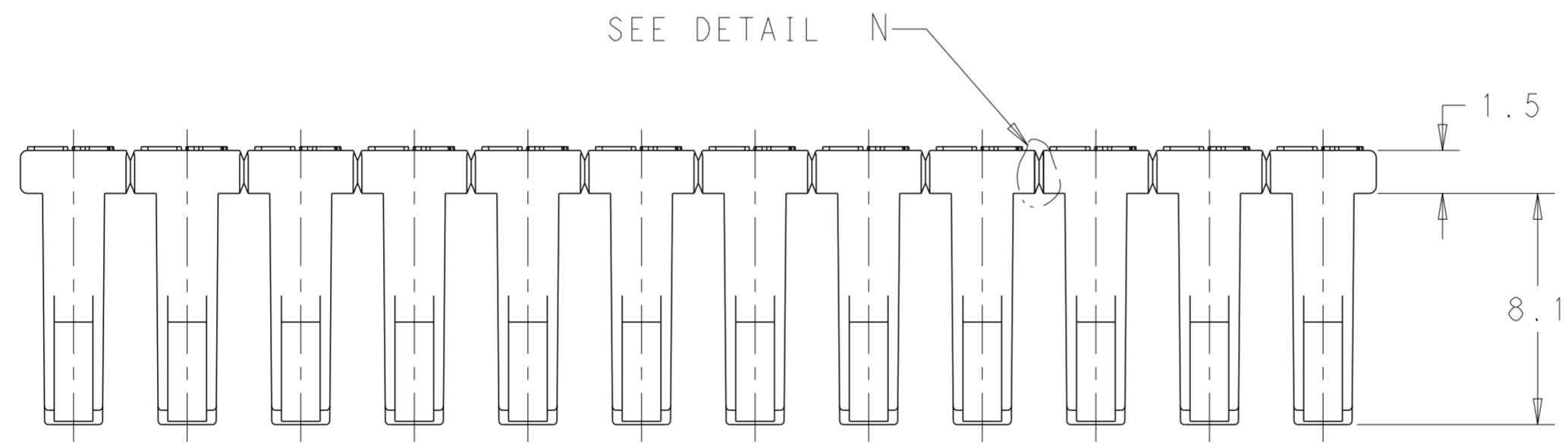
THIS DRAWING IS UNPUBLISHED. RELEASED FOR PUBLICATION 20  
 © COPYRIGHT 20 BY - ALL RIGHTS RESERVED.

| REVISIONS |     |                           |           |       |
|-----------|-----|---------------------------|-----------|-------|
| P         | LTR | DESCRIPTION               | DATE      | APVD  |
| A         |     | REVISED PER ECR-14-016063 | 06NOV2014 | NK TM |
|           |     |                           |           |       |
|           |     |                           |           |       |

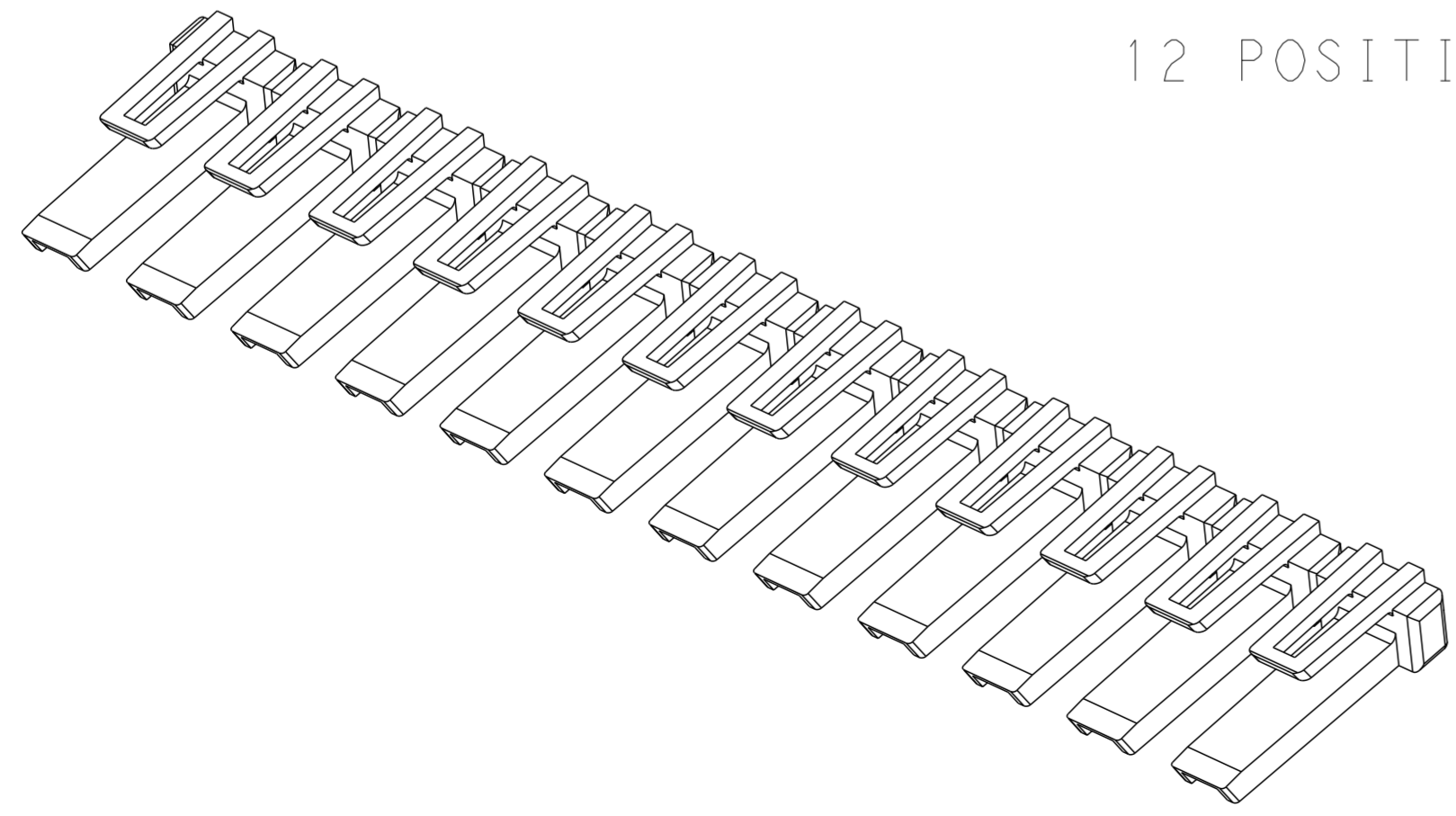
1 FLASH 0.3 MAX ALLOWABLE  
 2 DIMENSION DOES NOT INCLUDE CUT-OFF.  
 3 POSITIONS 2 THROUGH 10 MAY CONTAIN 1 OR 2 CUT-OFFS.  
 11 POSITION HAS 1 CUT-OFF.



DETAIL N  
 SCALE 30:1  
 CUT-OFF AREA TYP



12 POSITION TPA SHOWN



|        |                  |             |
|--------|------------------|-------------|
| 43.56  | 11               | 1-1744544-1 |
| 39.64  | 10               | 1-1744544-0 |
| 35.64  | 9                | 1744544-9   |
| 31.68  | 8                | 1744544-8   |
| 27.72  | 7                | 1744544-7   |
| 23.76  | 6                | 1744544-6   |
| 19.80  | 5                | 1744544-5   |
| 15.84  | 4                | 1744544-4   |
| 11.88  | 3                | 1744544-3   |
| 7.92   | 2                | 1744544-2   |
| A±0.45 | NO. OF POSITIONS | PART NO.    |

|  |             |                              |  |                       |
|--|-------------|------------------------------|--|-----------------------|
| THIS DRAWING IS A CONTROLLED DOCUMENT. |             | DWN JR RUTH 12FEB14          | TE Connectivity  |                       |
| DIMENSIONS: mm                         |             | CHK TOM MICHIELUTTI 12FEB14  |  |                       |
| TOLERANCES UNLESS OTHERWISE SPECIFIED: |             | APVD TOM MICHIELUTTI 12FEB14 | NAME RETAINER, ECONOMY POWER II, 3.96 CENTERLINE, POSITIONS 2-11 |                       |
| 0 PLC ±                                | 1 PLC ±0.50 | PRODUCT SPEC -               | SIZE A2  | RESTRICTED TO -       |
| 2 PLC ±0.30                            | 3 PLC ±     | APPLICATION SPEC -           | CAGE CODE -  | DRAWING NO. C-1744544 |
| 4 PLC ±                                | ANGLES ±    | WEIGHT -                     | SCALE 5:1  | SHEET 1 OF 1          |
| FINISH -                               | -           | Customer Drawing             | REV A  |                       |

## X-ON Electronics

Largest Supplier of Electrical and Electronic Components

*Click to view similar products for [Headers & Wire Housings](#) category:*

*Click to view products by [TE Connectivity](#) manufacturer:*

Other Similar products are found below :

[892-18-020-10-001101](#) [58102-G61-06LF](#) [582553-1](#) [0009485154](#) [009176003701906](#) [0050291907](#) [LY20-4P-DT1-P1E-BR](#) [02.125.8002.8](#)  
[609-3404](#) [61062-3](#) [61082-181009](#) [622-3653LF](#) [63453-116](#) [636-1030](#) [636-1427](#) [636-3427](#) [636-4007](#) [641938-9](#) [641991-4](#) [644827-2](#) [65817-010LF](#) [65817-015LF](#) [65863-015LF](#) [66207-023LF](#) [67095-007LF](#) [67601157](#) [68645-018](#) [68648-049](#) [70.362.1628.0](#) [70-4210](#) [70-4226B](#) [70-4853B](#) [707-5020](#) [707-5028](#) [71.350.2428.0](#) [71918-208LF](#) [71961-016LF](#) [733-134](#) [733-162](#) [754199-000](#) [760-3052](#) [787-8014-00](#) [79531-3000](#)  
[FCN-360C032-B](#) [FCN-367T-T012/H](#) [FCN-723D010/2](#) [80.063.4001.1](#) [800-90-001-10-001000](#) [800-90-010-10-002000](#) [801-43-002-10-013000](#)