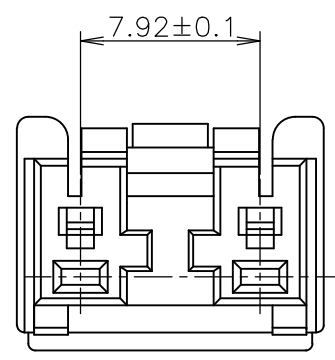
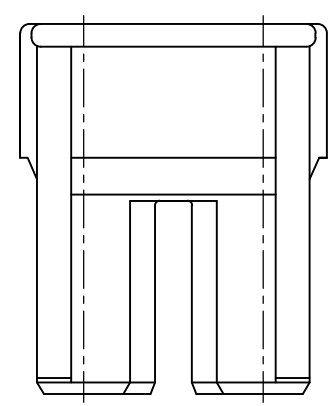
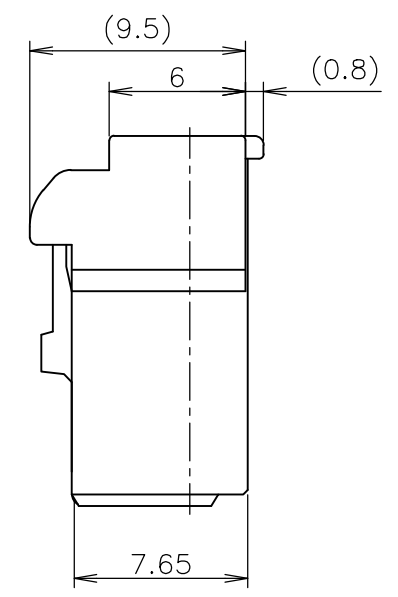
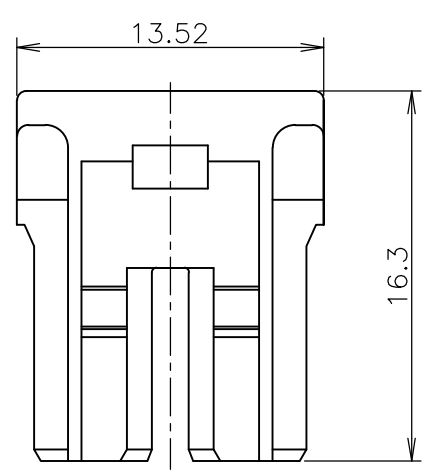
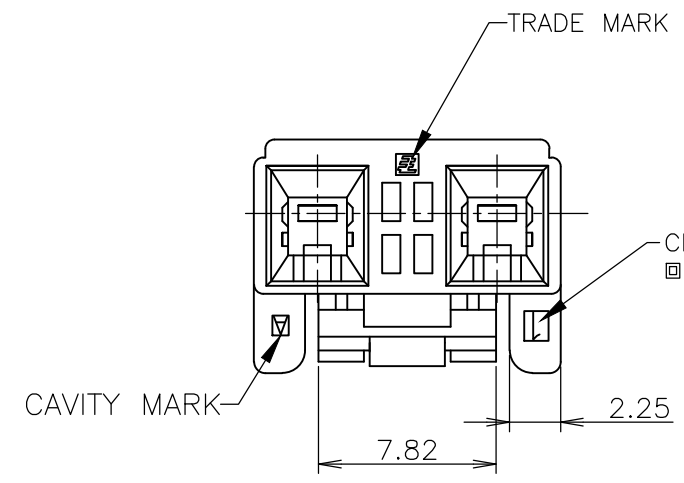
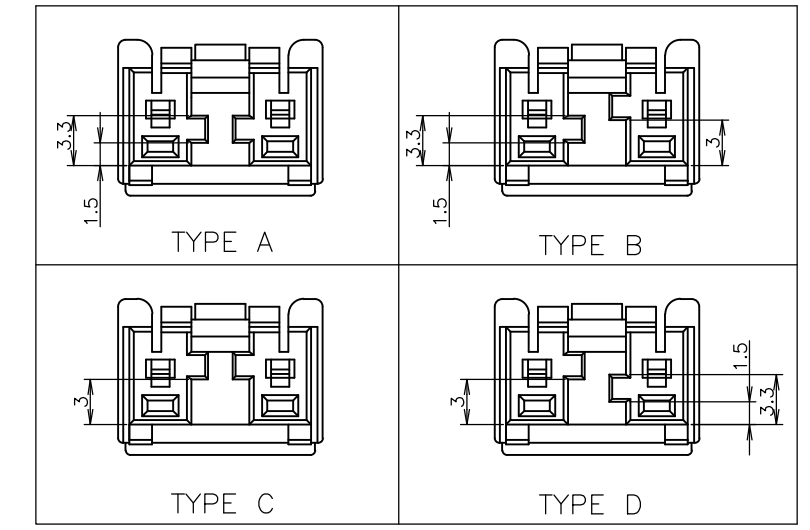


THIS DRAWING IS UNPUBLISHED. RELEASED FOR PUBLICATION MAR, 2008.  
 © COPYRIGHT 2008 By - ALL RIGHTS RESERVED.

| LOC | DIST | REVISIONS<br>変更 |     |                           |           |     |      |
|-----|------|-----------------|-----|---------------------------|-----------|-----|------|
| J   | /    | P               | LTR | DESCRIPTION               | DATE      | DWN | APVD |
|     |      | D               |     | REVISED PER ECO-19-008840 | 26NOV2019 | SC  | D.Z  |



KEYING TYPE



|                 |                                       |
|-----------------|---------------------------------------|
| ハウジング (HOUSING) | 6/6ナイロンガラス強化 (6/6 NYLON GRASS FILLED) |
| 名称 (NAME)       | 材料 (MATERIAL)                         |

- ⚠️ かん合相手製品型番：  
 ヘッダーアッセンブリ：SEE TABLE  
 リセコンタクト：1376347-1  
 1376348-1
- ⚠️ 青色については色むらがでる可能性があります。
- ⚠️ MATING CONN. P/N  
 HDR ASSEMBLY: SEE TABLE  
 REC CONTACT: 1376347-1  
 1376348-1
- ⚠️ UNEVEN COLORING MAY COME OUT OF BLUE.

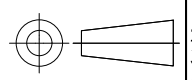
|   |       |  |   |                               |                    |       |       |       |       |       |     |        |      |                                  |            |  |  |
|---|-------|--|---|-------------------------------|--------------------|-------|-------|-------|-------|-------|-----|--------|------|----------------------------------|------------|--|--|
| THIS DRAWING IS A CONTROLLED DOCUMENT.  |       | DWN<br>LILY LIU<br>06MAR2008           | TE Connectivity   |                               |                    |       |       |       |       |       |     |        |      |                                  |            |  |  |
| DIMENSIONS:<br>単位： 耗<br>mm  |       | CHK<br>A.OISHI<br>06MAR2008            |   |                               |                    |       |       |       |       |       |     |        |      |                                  |            |  |  |
| TOLERANCES UNLESS OTHERWISE SPECIFIED:<br>一般公差  |       | APVD<br>S.MANABE<br>06MAR2008          | NAME<br>名称<br>GRACE INERTIA CONNECTOR 7.92MM PITCH<br>PLUG HOUSING 2P |                               |                    |       |       |       |       |       |     |        |      |                                  |            |  |  |
| <table border="1"> <tr><td>0 PLC</td><td>± 0.3</td></tr> <tr><td>1 PLC</td><td>± 0.3</td></tr> <tr><td>2 PLC</td><td>± 0.3</td></tr> <tr><td>3 PLC</td><td>± 0.2</td></tr> <tr><td>4 PLC</td><td>± -</td></tr> <tr><td>ANGLES</td><td>± 2°</td></tr> </table> |       | 0 PLC                                  | ± 0.3   | 1 PLC                         | ± 0.3              | 2 PLC | ± 0.3 | 3 PLC | ± 0.2 | 4 PLC | ± - | ANGLES | ± 2° | PRODUCT SPEC<br>製品規格<br>108-5990 | SIZE<br>A3 |  |  |
| 0 PLC   | ± 0.3 |  |   |                               |                    |       |       |       |       |       |     |        |      |                                  |            |  |  |
| 1 PLC   | ± 0.3 |  |   |                               |                    |       |       |       |       |       |     |        |      |                                  |            |  |  |
| 2 PLC   | ± 0.3 |  |   |                               |                    |       |       |       |       |       |     |        |      |                                  |            |  |  |
| 3 PLC   | ± 0.2 |  |   |                               |                    |       |       |       |       |       |     |        |      |                                  |            |  |  |
| 4 PLC   | ± -   |  |   |                               |                    |       |       |       |       |       |     |        |      |                                  |            |  |  |
| ANGLES  | ± 2°  |  |   |                               |                    |       |       |       |       |       |     |        |      |                                  |            |  |  |
| MATERIAL<br>材料<br>SEE TABLE   |       | APPLICATION SPEC<br>取付適用規格<br>114-5292 | CAGE CODE<br>00779  | DRAWING NO<br>番号<br>C-1747050 | RESTRICTED TO<br>- |       |       |       |       |       |     |        |      |                                  |            |  |  |
| CUSTOMER DRAWING  |       |  | SCALE<br>尺度<br>3:1  | SHEET<br>1 OF 2               | REV<br>D           |       |       |       |       |       |     |        |      |                                  |            |  |  |

THIS DRAWING IS UNPUBLISHED. RELEASED FOR PUBLICATION MAR , 2008.  
 © COPYRIGHT 2008 By - ALL RIGHTS RESERVED.

| LOC | DIST | REVISIONS |     |             |      |     |      |
|-----|------|-----------|-----|-------------|------|-----|------|
|     |      | P         | LTR | DESCRIPTION | DATE | DWN | APVD |
| J   | /    |           | -   | SEE SHEET 1 | -    | -   | -    |

| Part No.                           | Condition                  | Type                       | Color       | Terminals | Part No.       |
|------------------------------------|----------------------------|----------------------------|-------------|-----------|----------------|
| 3-1747052-5                        | キンク有 WITH KINK             | TYPE D                     | 緑色 GREEN    | 2極 2POS   | 3-1747050-5    |
| 3-1747052-4                        | キンク有 WITH KINK             | TYPE D                     | 黄色 YELLOW   | 2極 2POS   | 3-1747050-4    |
| 3-1747052-3                        | キンク有 WITH KINK             | TYPE D                     | 青色 BLUE     | 2極 2POS   | 3-1747050-3    |
| 3-1747052-2                        | キンク有 WITH KINK             | TYPE D                     | 赤色 RED      | 2極 2POS   | 3-1747050-2    |
| 3-1747052-1                        | キンク有 WITH KINK             | TYPE D                     | 自然色 NATURAL | 2極 2POS   | 3-1747050-1    |
| 2-1747052-5                        | キンク有 WITH KINK             | TYPE C                     | 緑色 GREEN    | 2極 2POS   | 2-1747050-5    |
| 2-1747052-4                        | キンク有 WITH KINK             | TYPE C                     | 黄色 YELLOW   | 2極 2POS   | 2-1747050-4    |
| 2-1747052-3                        | キンク有 WITH KINK             | TYPE C                     | 青色 BLUE     | 2極 2POS   | 2-1747050-3    |
| 2-1747052-2                        | キンク有 WITH KINK             | TYPE C                     | 赤色 RED      | 2極 2POS   | 2-1747050-2    |
| 2-1747052-1                        | キンク有 WITH KINK             | TYPE C                     | 自然色 NATURAL | 2極 2POS   | 2-1747050-1    |
| 1-1747052-5                        | キンク有 WITH KINK             | TYPE B                     | 緑色 GREEN    | 2極 2POS   | 1-1747050-5    |
| 1-1747052-4                        | キンク有 WITH KINK             | TYPE B                     | 黄色 YELLOW   | 2極 2POS   | 1-1747050-4    |
| 1-1747052-3                        | キンク有 WITH KINK             | TYPE B                     | 青色 BLUE     | 2極 2POS   | 1-1747050-3    |
| 1-1747052-2                        | キンク有 WITH KINK             | TYPE B                     | 赤色 RED      | 2極 2POS   | 1-1747050-2    |
| 1-1747052-1                        | キンク有 WITH KINK             | TYPE B                     | 自然色 NATURAL | 2極 2POS   | 1-1747050-1    |
| 1747052-6                          | キンク有 WITH KINK             | TYPE A                     | 黒色 BLACK    | 2極 2POS   | 1747050-6      |
| 1747052-5                          | キンク有 WITH KINK             | TYPE A                     | 緑色 GREEN    | 2極 2POS   | 1747050-5      |
| 1747052-4                          | キンク有 WITH KINK             | TYPE A                     | 黄色 YELLOW   | 2極 2POS   | 1747050-4      |
| 1747052-3                          | キンク有 WITH KINK             | TYPE A                     | 青色 BLUE     | 2極 2POS   | 1747050-3      |
| 1747052-2                          | キンク有 WITH KINK             | TYPE A                     | 赤色 RED      | 2極 2POS   | 1747050-2      |
| 1747052-1                          | キンク有 WITH KINK             | TYPE A                     | 自然色 NATURAL | 2極 2POS   | 1747050-1      |
| かん合相手(プラグ) P/N<br>MATING CONN. P/N | キンク有無<br>WITH/WITHOUT KINK | キーイングタイプ<br>TYPE OF KEYING | 色<br>COLOR  | 極数<br>POS | 型番<br>PART NO. |

|  |  |  |   |                               |                     |
|--|--|--|---|-------------------------------|---------------------|
| THIS DRAWING IS A CONTROLLED DOCUMENT.   |  | DWN<br>LILY LIU<br>06MAR2008           | TE Connectivity   |                               |                     |
|  |  | CHK<br>A.OISHI<br>06MAR2008            |   |                               |                     |
| DIMENSIONS:<br>単位: 耗<br>mm   |  | APVD<br>S.MANABE<br>06MAR2008          | NAME<br>名称<br>GRACE INERTIA CONNECTOR 7.92MM PITCH<br>PLUG HOUSING 2P |                               |                     |
| TOLERANCES UNLESS OTHERWISE SPECIFIED:<br>一般公差                                       |  | PRODUCT SPEC<br>製品規格<br>108-5990       | SIZE<br>A3  |                               |                     |
| 0 PLC ± 0.3<br>1 PLC ± 0.3<br>2 PLC ± 0.3<br>3 PLC ± 0.2<br>4 PLC ± -<br>ANGLES ± 2° |  | APPLICATION SPEC<br>取付適用規格<br>114-5292 |   |                               |                     |
| MATERIAL<br>材料<br>SEE TABLE  |  | WEIGHT                                 | CAGE CODE<br>00779  | DRAWING NO<br>番号<br>C-1747050 | RESTRICTED TO<br>番号 |
| CUSTOMER DRAWING   |  |  | SCALE<br>尺度<br>NTS  | SHEET<br>2 OF 2               | REV<br>D            |



## X-ON Electronics

Largest Supplier of Electrical and Electronic Components

*Click to view similar products for [Headers & Wire Housings](#) category:*

*Click to view products by [TE Connectivity](#) manufacturer:*

Other Similar products are found below :

[57102-F02-18ULF](#) [58102-G61-06LF](#) [0009485154](#) [009176003701906](#) [0050291907](#) [00-9021-0611-00-339](#) [02.125.8002.8](#) [609-3404](#) [61062-3](#)  
[622-0430](#) [622-3653LF](#) [63453-116](#) [636-1030](#) [636-1427](#) [636-3427](#) [636-4007](#) [641938-9](#) [644827-2](#) [65495-038](#) [65692-001LF](#) [65781-018](#)  
[65781-047](#) [65817-010LF](#) [65817-015LF](#) [66207-023LF](#) [67016-026LF](#) [67095-007LF](#) [68631-112](#) [68645-018](#) [68648-049](#) [699319-000](#)  
[70.362.1628.0](#) [70-4210](#) [70-4226B](#) [70-4853B](#) [707-5020](#) [707-5028](#) [71.350.2428.0](#) [71961-016LF](#) [733-134](#) [754199-000](#) [760-3052](#) [787-8014-00](#)  
[FCN-367T-T012/H](#) [80.063.4001.1](#) [800-90-001-10-001000](#) [800-90-010-10-002000](#) [801-43-002-10-013000](#) [801-43-006-10-002000](#)  
[803-41-018-10-001000](#)