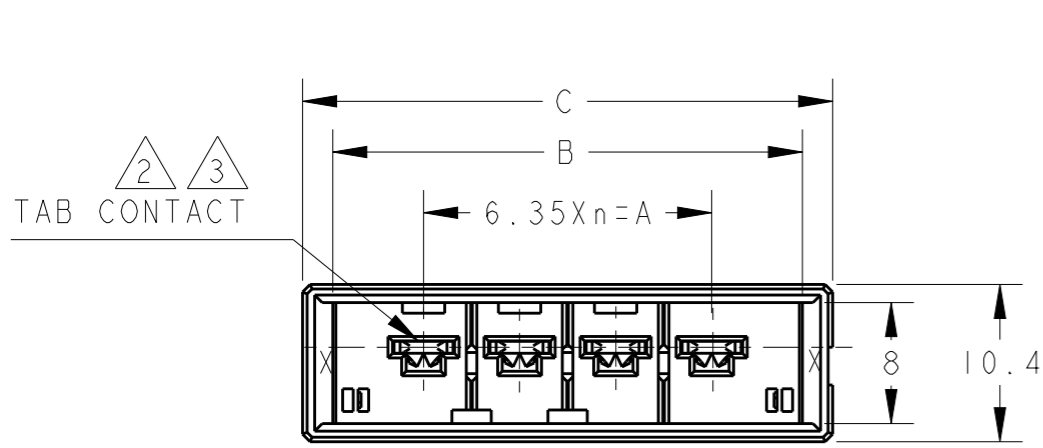
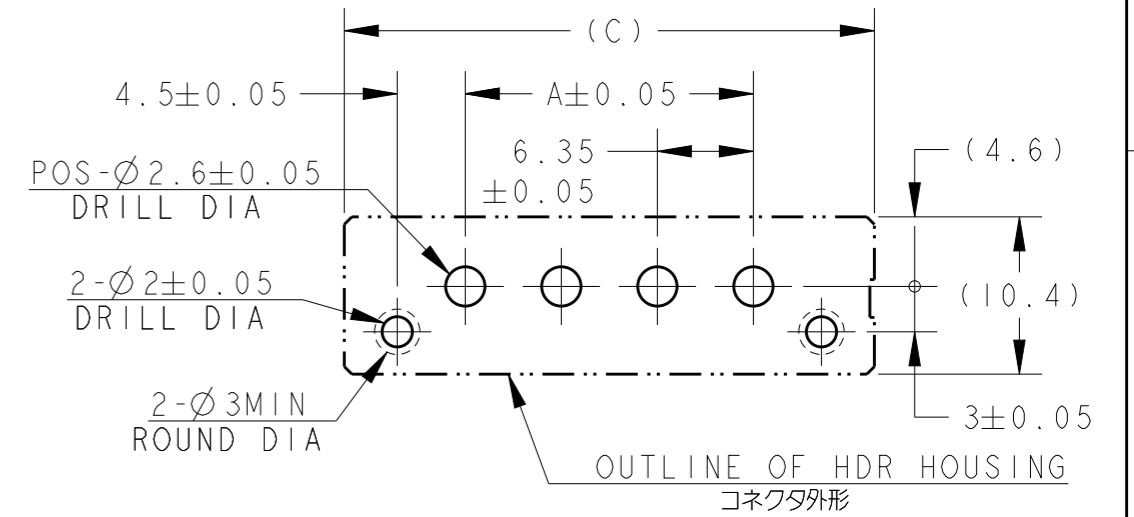
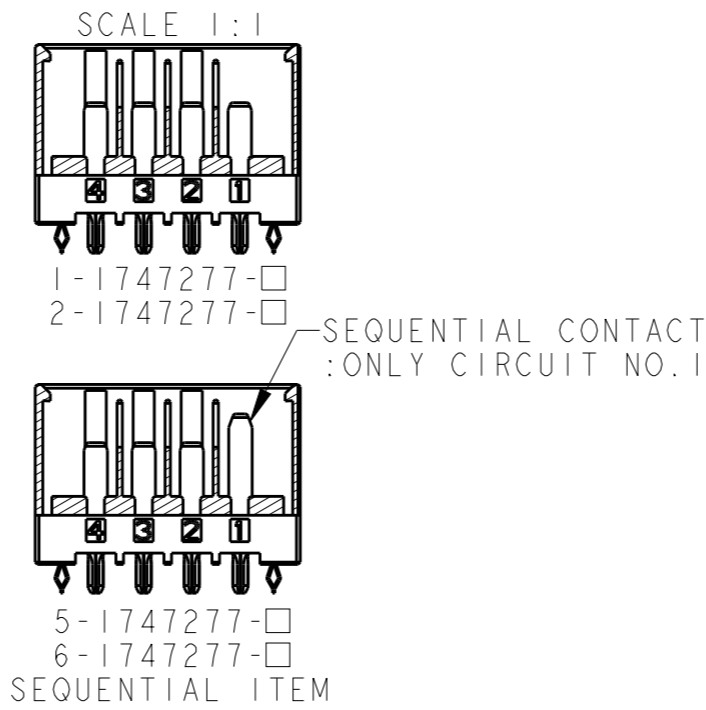


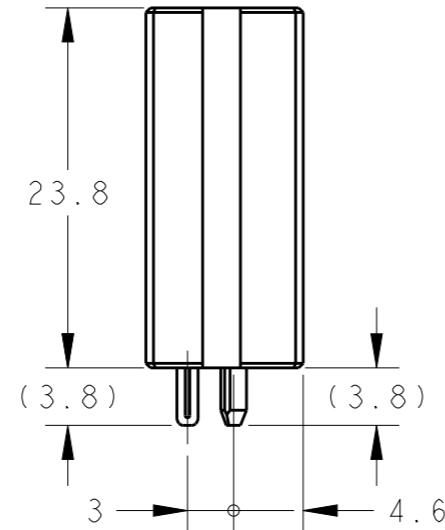
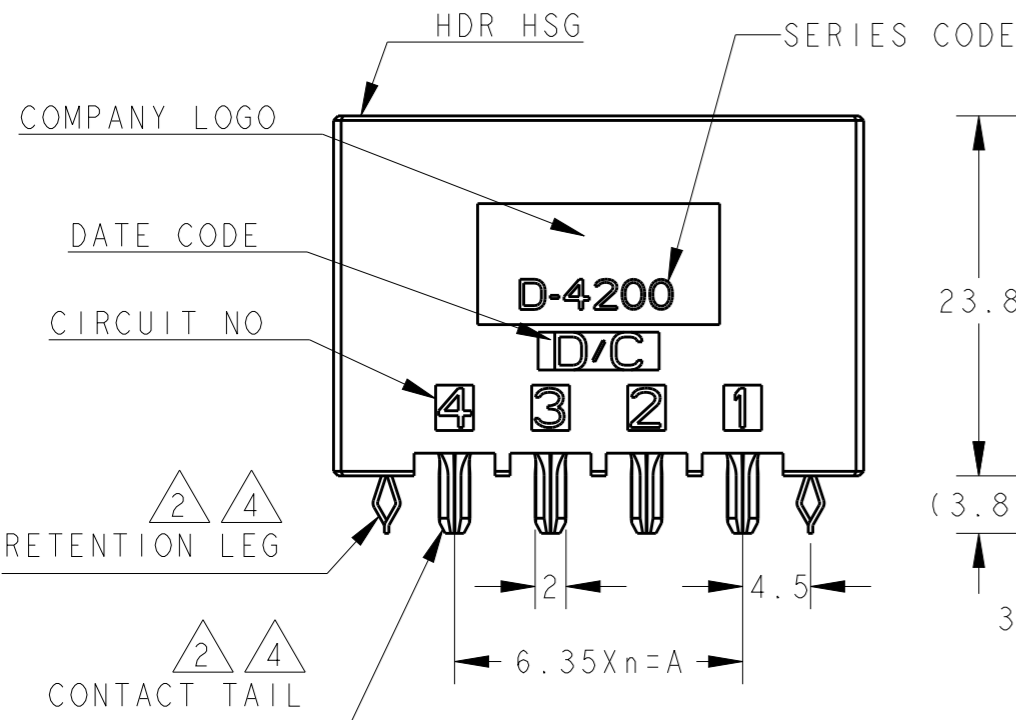
P	LTR	DESCRIPTION	DATE	DWN	APVD
	B	REVISED PER ECR-19-011328	18JUL2019	K.T	E.1



KEY LOCATION VIEW



推奨基板取付穴寸法: コネクタ搭載面 (非累積公差)
 PC基板厚: 1.6~2.4±0.1
 RECOMMEND PC BOARD HOLE PATTERN : CONNECTOR MOUNT SIDE (NOT ACCUMULATE TOLERANCE)
 PC BOARD THICKNESS : 1.6~2.4±0.1



AS SHOWN: 1-1747277-4 (4POS: X-KEY)

POS	n	KEY LOCATION	C	B	A	KEY	PART NUMBER
4	3		35.05	31.05	19.05	Y	2-1747277-4 6-1747277-4
4	3		35.05	31.05	19.05	X	1-1747277-4 5-1747277-4
3	2		28.70	24.70	12.70	Y	2-1747277-3 6-1747277-3
3	2		28.70	24.70	12.70	X	1-1747277-3 5-1747277-3
2	1		22.35	18.35	6.35	Y	2-1747277-2
2	1		22.35	18.35	6.35	X	1-1747277-2

1. MATERIAL: HOUSING: GLASS FILLED THERMO PLASTIC
 POLYESTER (94V-0), COLOR: BLACK
 CONTACT: COPPER ALLOY
 RETENTION LEG: COPPER ALLOY

- ②. FINISH (ALL OVER): NICKEL PL. 1.3μm MIN
- ③. FINISH (CONTACT AREA): GOLD PL. 0.38μm MIN AFTER ②
- ④. FINISH (CONTACT TAIL & RETENTION LEG): TIN PL. 2μm MIN AFTER ②

THIS DRAWING IS A CONTROLLED DOCUMENT.		DWN T. KUDO 02JUL2004	TE Connectivity	
DIMENSIONS: 単位: 概 mm		CHK D. MITSUGI 02JUL2004		
TOLERANCES UNLESS OTHERWISE SPECIFIED: 一般公差 ±0.3, ±3°		APVD D. MITSUGI 02JUL2004	NAME 名称 DYNAMIC D4200S 6.35mm PITCH	
0 PLC ±		PRODUCT SPEC 108-78182	HDR ASSY (V-TYPE)	
1 PLC ±0.5		APPLICATION SPEC 114-5369	2-4POS	
2 PLC ±0.13		WEIGHT -	SIZE A3	CAGE CODE 00779
3 PLC ±0.013		CUSTOMER DRAWING	DRAWING NO. C-1747277	RESTRICTED TO
4 PLC ±0.0001		SCALE 尺度 2:1	SHEET 1 OF 1	REV B
ANGLES ±				
FINISH 仕上 material_2 finish_spec_2				

X-ON Electronics

Largest Supplier of Electrical and Electronic Components

Click to view similar products for [Headers & Wire Housings](#) category:

Click to view products by [TE Connectivity](#) manufacturer:

Other Similar products are found below :

[892-18-020-10-001101](#) [58102-G61-06LF](#) [582553-1](#) [0009485154](#) [009176003701906](#) [0050291907](#) [LY20-4P-DT1-P1E-BR](#) [02.125.8002.8](#)
[609-3404](#) [61062-3](#) [61082-181009](#) [622-3653LF](#) [63453-116](#) [636-1030](#) [636-1427](#) [636-3427](#) [636-4007](#) [641938-9](#) [641991-4](#) [644827-2](#) [65817-010LF](#) [65817-015LF](#) [65863-015LF](#) [66207-023LF](#) [67095-007LF](#) [67601157](#) [68645-018](#) [68648-049](#) [70.362.1628.0](#) [70-4210](#) [70-4226B](#) [70-4853B](#) [707-5020](#) [707-5028](#) [71.350.2428.0](#) [71918-208LF](#) [71961-016LF](#) [733-134](#) [733-162](#) [754199-000](#) [760-3052](#) [787-8014-00](#) [79531-3000](#)
[FCN-360C032-B](#) [FCN-367T-T012/H](#) [FCN-723D010/2](#) [80.063.4001.1](#) [800-90-001-10-001000](#) [800-90-010-10-002000](#) [801-43-002-10-013000](#)