

4

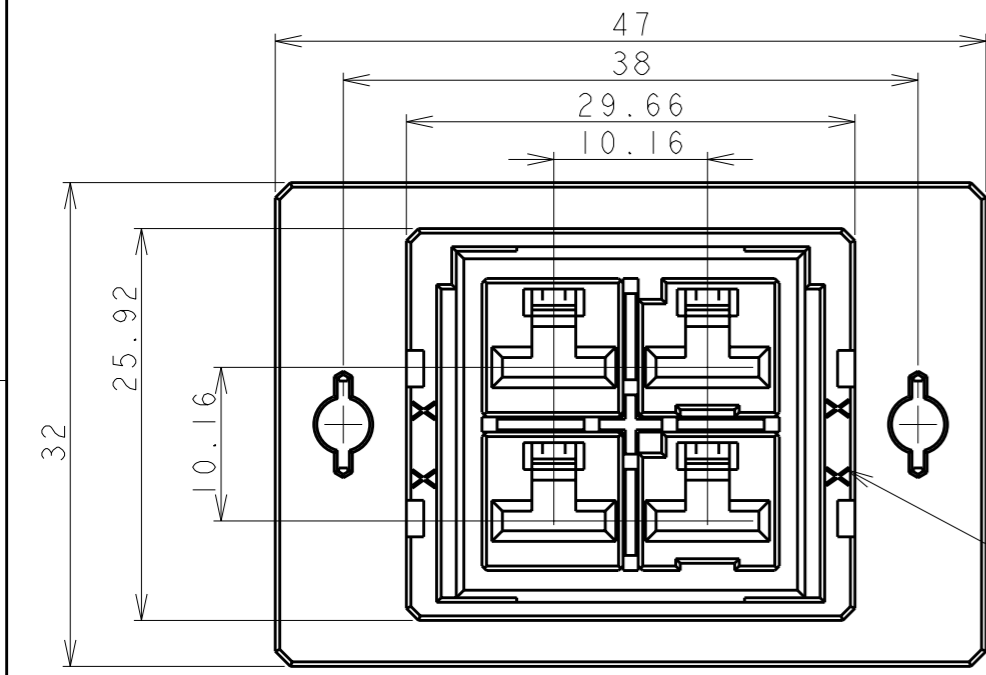
3

2

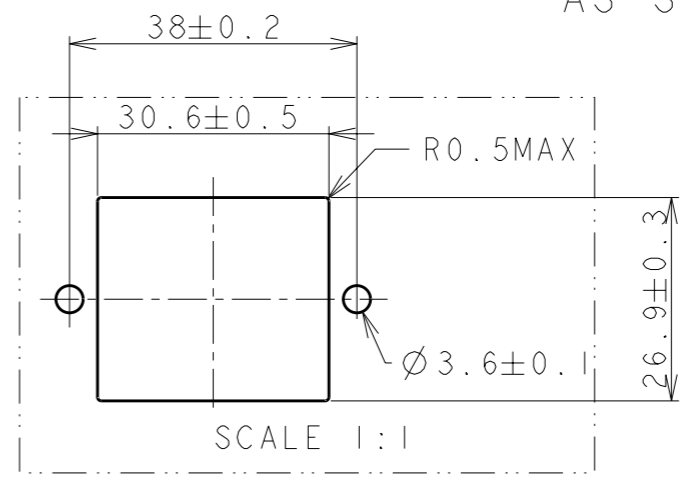
1

THIS DRAWING IS UNPUBLISHED. RELEASED FOR PUBLICATION 2007
 © COPYRIGHT 2007 BY TYCO ELECTRONICS CORPORATION. ALL INTERNATIONAL RIGHTS RESERVED.

LOC	DIST	REVISIONS					
		P	LTR	DESCRIPTION	DATE	DWN	APVD
J			D	REVISED PER ECR-10-017569	25AUG2010	HMR	T.M



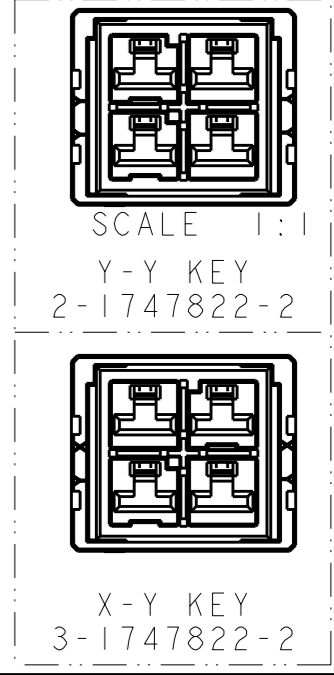
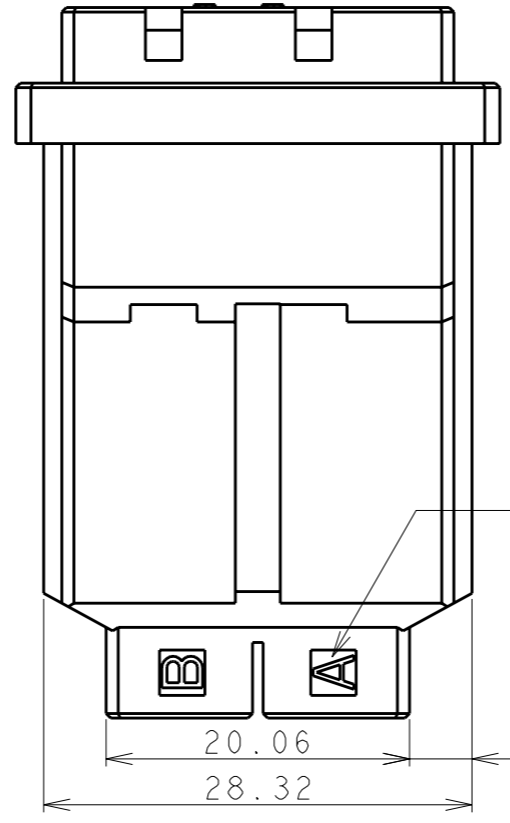
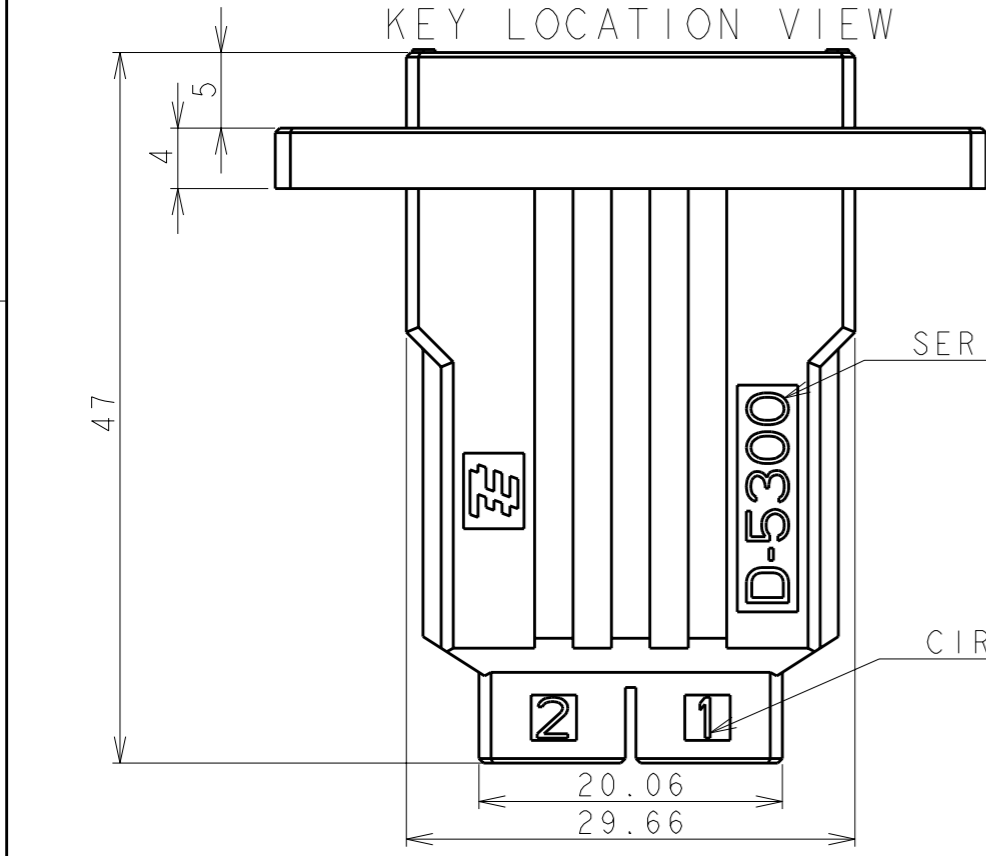
KEYING: X-X, Y-Y OR X-Y
 X-X: 1-1747822-2
 Y-Y: 2-1747822-2
 X-Y: 3-1747822-2



AS SHOWN: 1-1747822-2

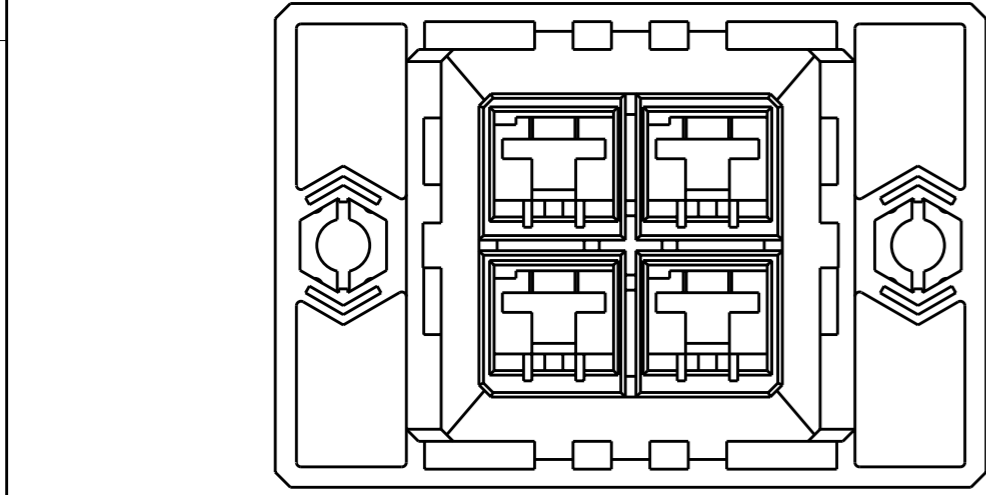
パネル加工推奨寸法図

RECOMMENDED PANEL LAYOUT



- 1. 材料: ガラス入り熱可塑性ポリエステル樹脂(94V-0) 色: 黒
- 2. パネル取り付け推奨ネジM3

- 1. MATERIAL: GLASS FILED THERMO PLASTIC POLYESTER (94V-0) COLOR: BLACK
- 2. PANEL ATTACHMENT RECOMMENDATION M3 SCREW



THIS DRAWING IS A CONTROLLED DOCUMENT FOR TYCO ELECTRONICS CORPORATION. IT IS SUBJECT TO CHANGE AND THE CONTROLLING ENGINEERING ORGANIZATION SHOULD BE CONTACTED FOR THE LATEST REVISION.		DWN M. MAEBASHI 23MAR2007	Tyco Electronics Corporation Kawasaki, Japan	
DIMENSIONS: 単位: 耗 mm		CHK T. KUDO 23MAR2007	NAME DYNAMIC D5300D 10.16mm PITCH REC HSG 4POS REVERSE MOUNT / PANEL MOUNT TYPE	
TOLERANCES UNLESS OTHERWISE SPECIFIED: 一般公差 ±0.3, ±3°		APVD D. MITSUGI 23MAR2007	DRAWING NO C=1747822	
0 PLC ± 1 PLC ± 2 PLC ± 3 PLC ± 4 PLC ± ANGLES ±		PRODUCT SPEC 108-5453	SIZE A300779	RESTRICTED TO
MATERIAL 材料		APPLICATION SPEC 取付適用規格 114-5206	SHEET OF 1 REV D	
FINISH 仕上		WEIGHT	SCALE 尺度 2:1	
		CUSTOMER DRAWING		

X-ON Electronics

Largest Supplier of Electrical and Electronic Components

Click to view similar products for [Headers & Wire Housings](#) category:

Click to view products by [TE Connectivity](#) manufacturer:

Other Similar products are found below :

[892-18-020-10-001101](#) [58102-G61-06LF](#) [582553-1](#) [0009485154](#) [009176003701906](#) [0050291907](#) [LY20-4P-DT1-P1E-BR](#) [02.125.8002.8](#)
[609-3404](#) [61062-3](#) [61082-181009](#) [622-3653LF](#) [63453-116](#) [636-1030](#) [636-1427](#) [636-3427](#) [636-4007](#) [641938-9](#) [641991-4](#) [644827-2](#) [65817-](#)
[010LF](#) [65817-015LF](#) [65863-015LF](#) [66207-023LF](#) [67095-007LF](#) [67601157](#) [68645-018](#) [68648-049](#) [70.362.1628.0](#) [70-4210](#) [70-4226B](#) [70-](#)
[4853B](#) [707-5020](#) [707-5028](#) [71.350.2428.0](#) [71918-208LF](#) [71961-016LF](#) [733-134](#) [733-162](#) [754199-000](#) [760-3052](#) [787-8014-00](#) [79531-3000](#)
[FCN-360C032-B](#) [FCN-367T-T012/H](#) [FCN-723D010/2](#) [80.063.4001.1](#) [800-90-001-10-001000](#) [800-90-010-10-002000](#) [801-43-002-10-013000](#)