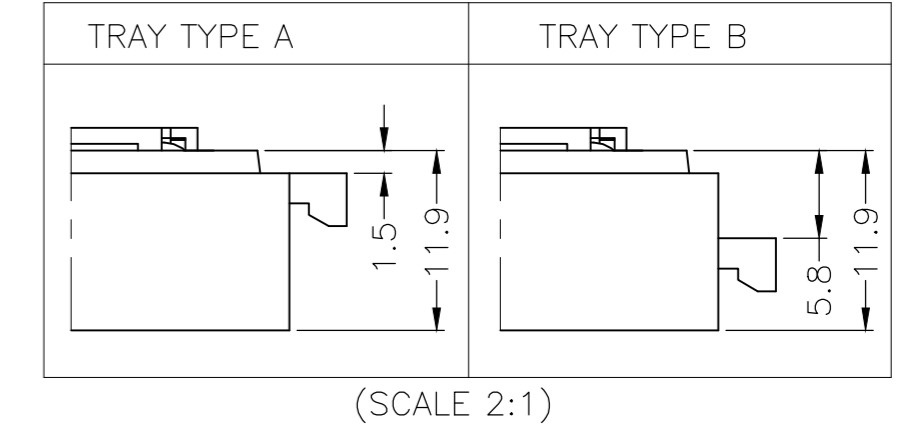
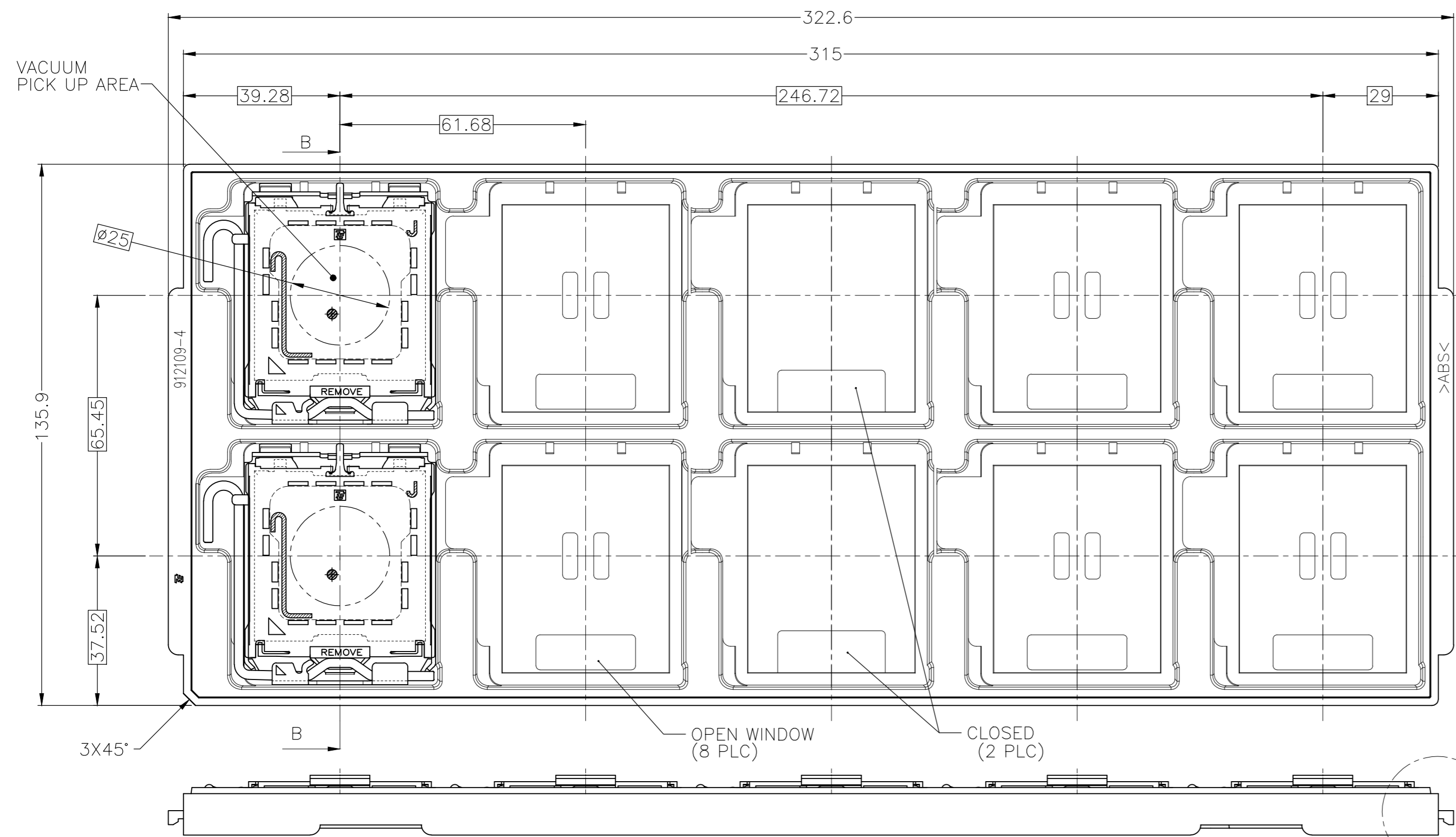


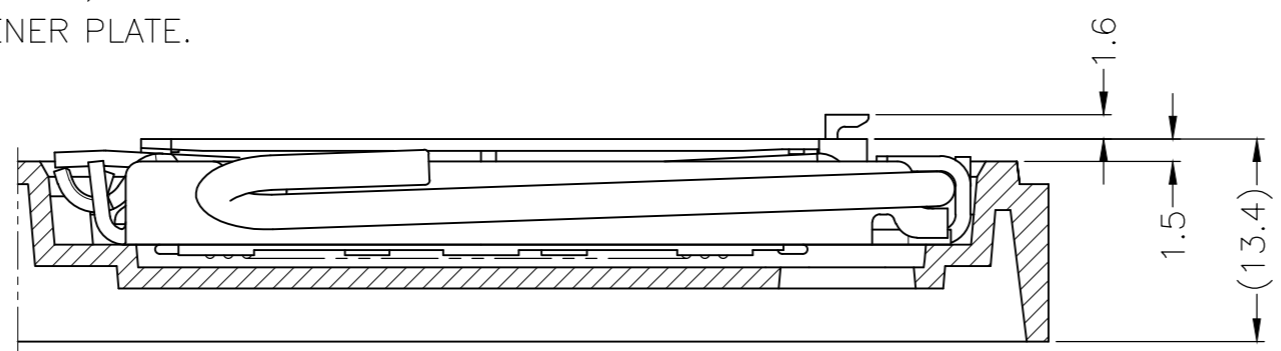
THIS DRAWING IS UNPUBLISHED. RELEASED FOR PUBLICATION AUG '18 .
 © COPYRIGHT 2004 BY TYCO ELECTRONICS CORPORATION. ALL RIGHTS RESERVED.

LOC	DIST	REVISIONS					
		P	LTR	DESCRIPTION	DATE	DWN	APVD
J	-	L2		REVISED PER ECR-17-013462	03JUN2018	B.L	S.L



1. MATERIAL
- ① HOUSING : HIGH TEMP, THERMO-PLASTIC, UL94V-0, BLACK
 - ② CONTACT : COPPER ALLOY
FINISH : Au PL. AT CONTACT AREA ON OVERALL OVER Ni UNDER PL. 0.00127 MIN.
 - ③ SOLDER BALL : Sn(63WT%)/Pb FOR LEADED, Sn/Ag/Cu FOR LEAD FREE PRODUCT.
 - ④ STIFFENER PLATE : STEEL
 - ⑤ LOAD PLATE : STEEL
 - ⑥ LEVER : STAINLESS STEEL
 - ⑦ CAP : HIGH TEMP. THERMO-PLASTIC, UL94V-0, BLACK
- ⚠ INDICATED PRODUCT NAME "LGA771" TO LEADED SOLDER BALL PRODUCT, "LF-LGA771" TO LEAD FREE SOLDER BALL PRODUCT ON THE STIFFENER PLATE.
- ⚠ INDICATED DATE CODE ON THE STIFFENER PLATE.
- ⚠ THE CIRCLE SHOWS THE CENTER OF GRAVITY OF ASSEMBLY.
- ⚠ MINIMUM OPEN ANGLE TO RELEASE.
- ⚠ ALLOWABLE OPEN ANGLE.
DON'T OPEN LOAD PLATE WITH FORCE FROM OPEN END.

DESCRIPTION	TRAY COLOR	TRAY TYPE	PART NO.
SUPERSEDED BY 1-1747890-1 LEAD FREE SOLDER BALL	BLUE	B	1-1747890-3
SUPERSEDED BY 1747890-1 LEADED SOLDER BALL	BLACK	B	1747890-3
OBSOLETE LEAD FREE SOLDER BALL (0.76um GOLD)	BLUE	B	1-1747890-2
OBSOLETE LEADED SOLDER BALL (0.76um GOLD)	BLACK	B	1747890-2
OBSOLETE LEAD FREE SOLDER BALL	BLUE	B	1-1747890-1
OBSOLETE LEADED SOLDER BALL	BLACK	B	1747890-1



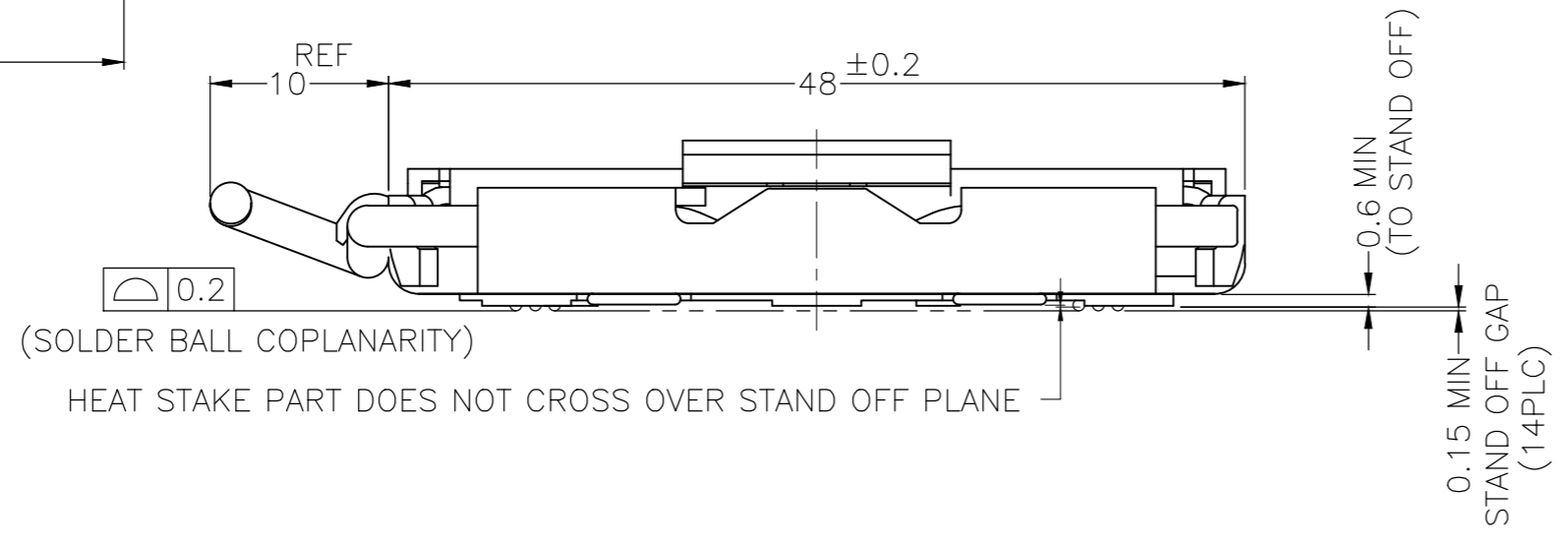
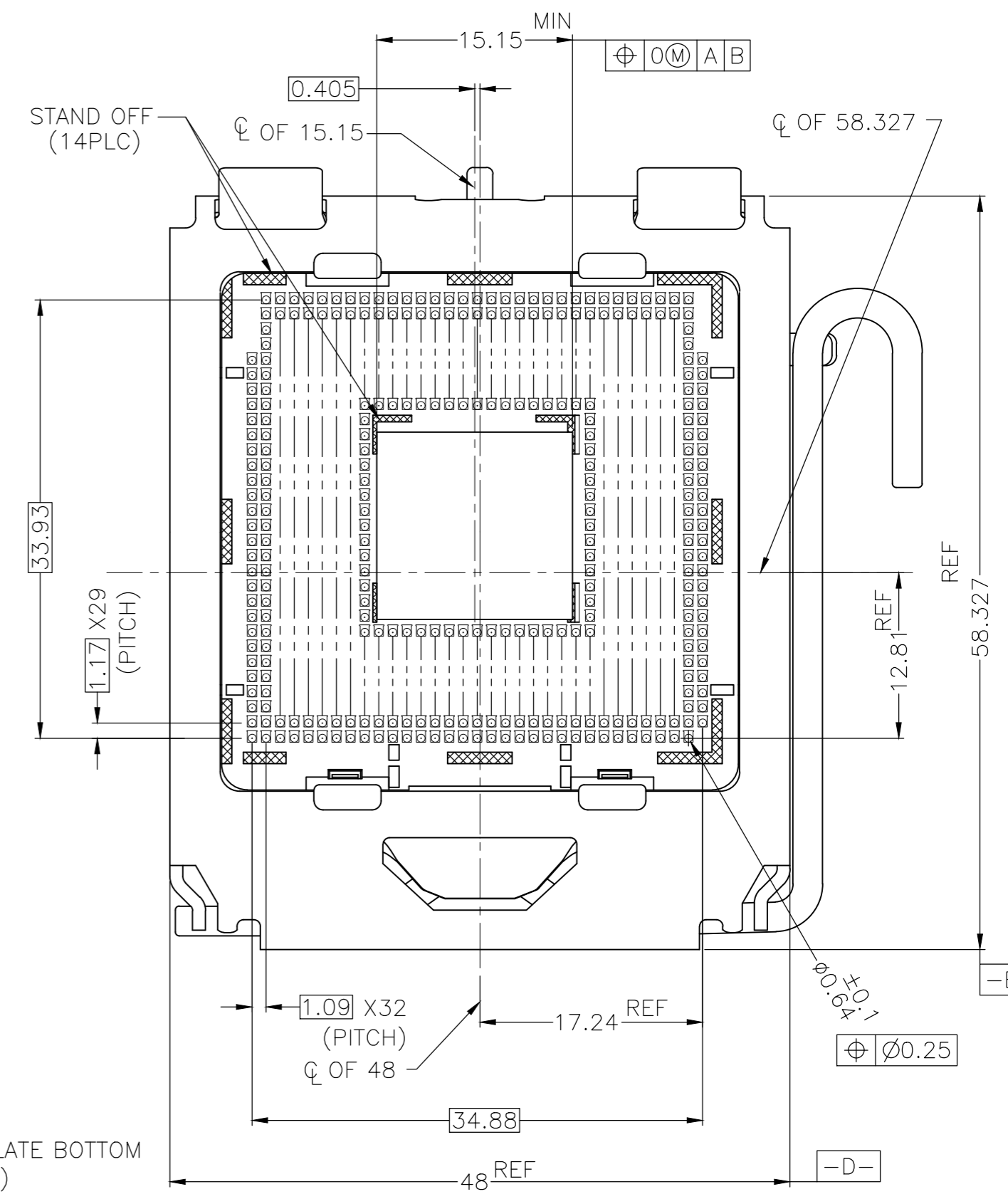
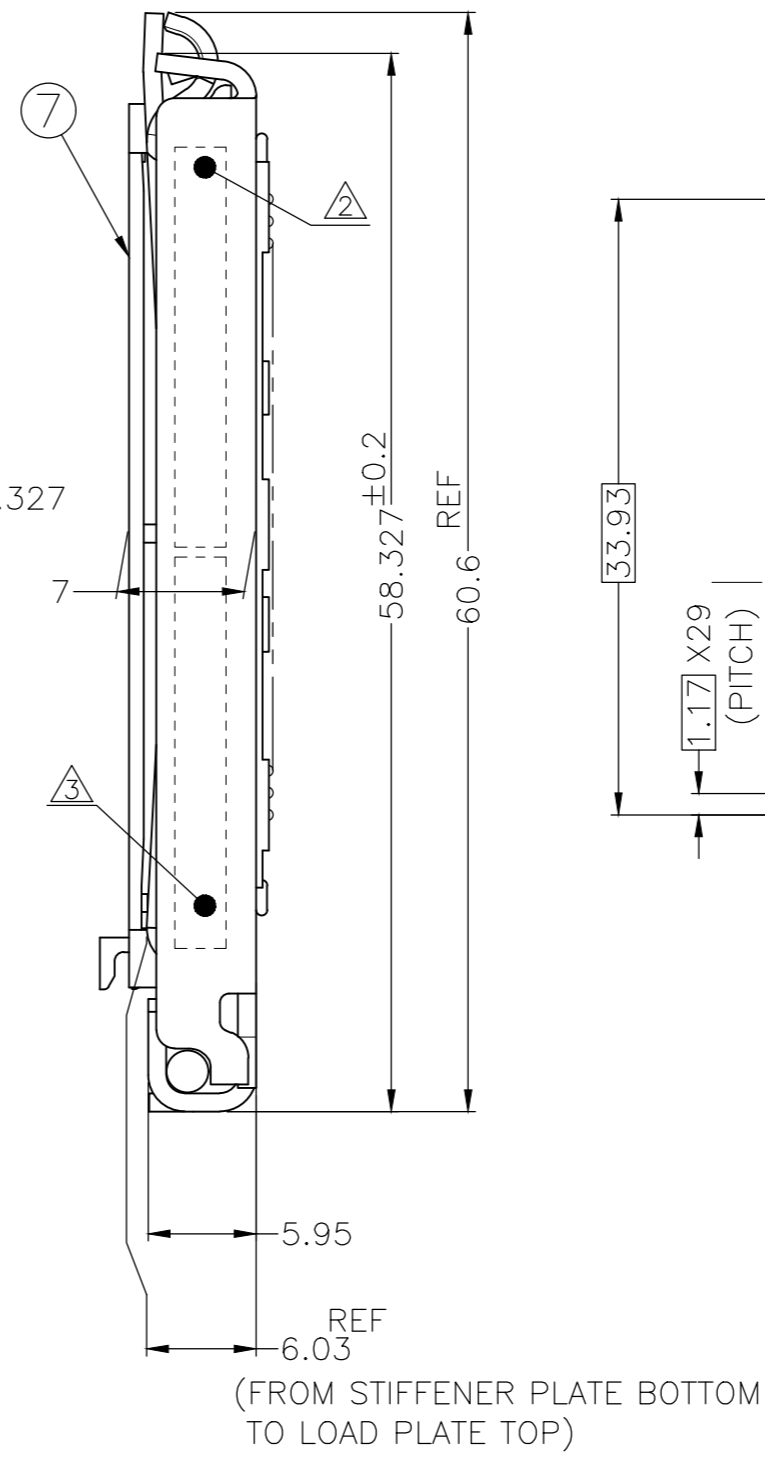
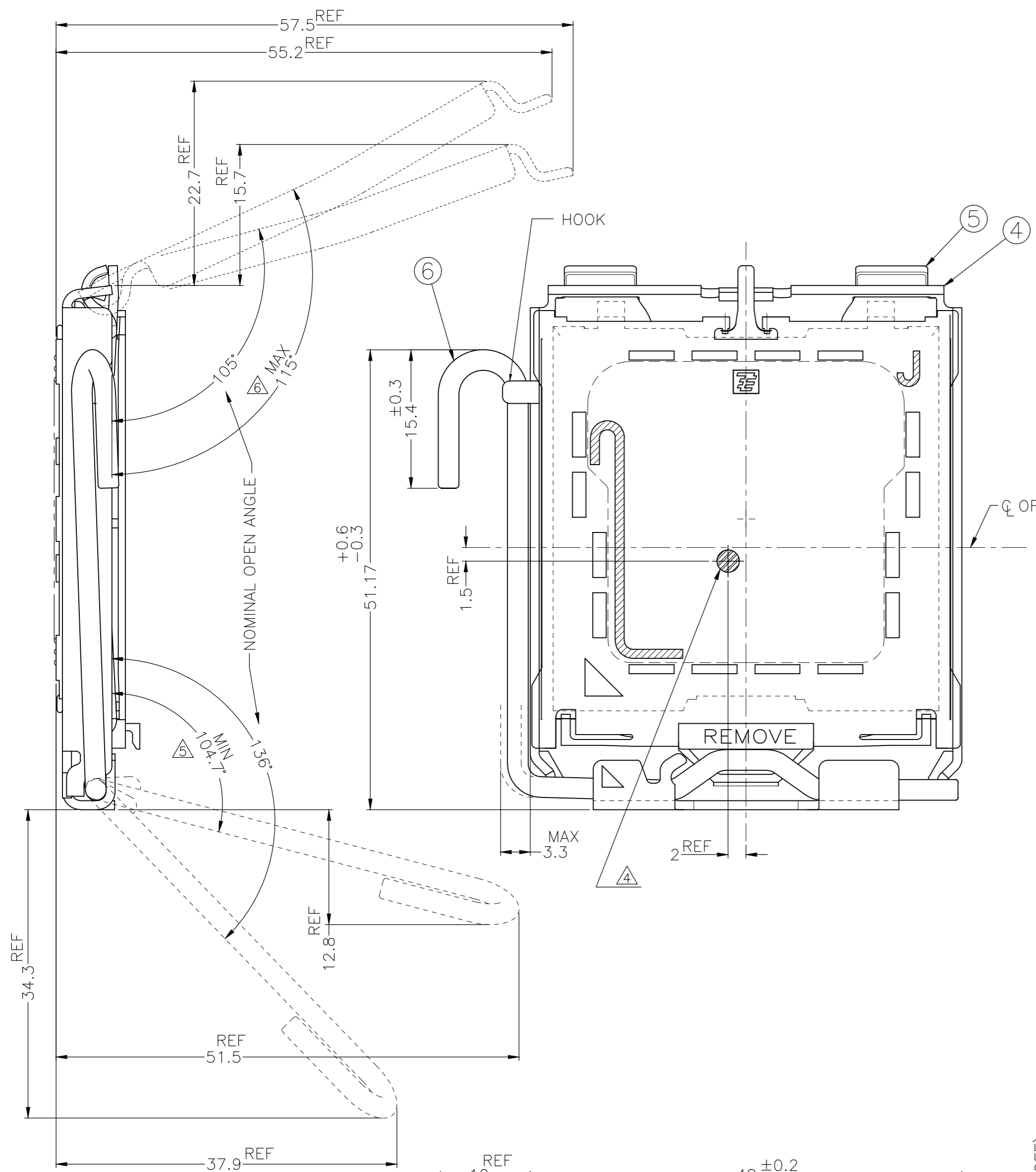
B-B (SCALE 2:1)
(DSL ASS'Y ISN'T SECTIONED)

THIS DRAWING IS A CONTROLLED DOCUMENT.

DWN S.HASHIMOTO 18AUG04	Tyco Electronics AMP K.K. Kawasaki, Japan
CHK H.SHIRAI 18AUG04	
APVD H.SHIRAI 18AUG04	
PRODUCT SPEC	
APPLICATION SPEC	NAME DSL ASSY LGA771
114-5374	SIZE A2 CAGE CODE 00779 DRAWING NO C=1747890 RESTRICTED TO -
WEIGHT 38.8 g	SCALE 1:1 SHEET 1 OF 3 REV L2
CUSTOMER DRAWING	

THIS DRAWING IS UNPUBLISHED. RELEASED FOR PUBLICATION
 © COPYRIGHT BY TYCO ELECTRONICS CORPORATION. ALL RIGHTS RESERVED.

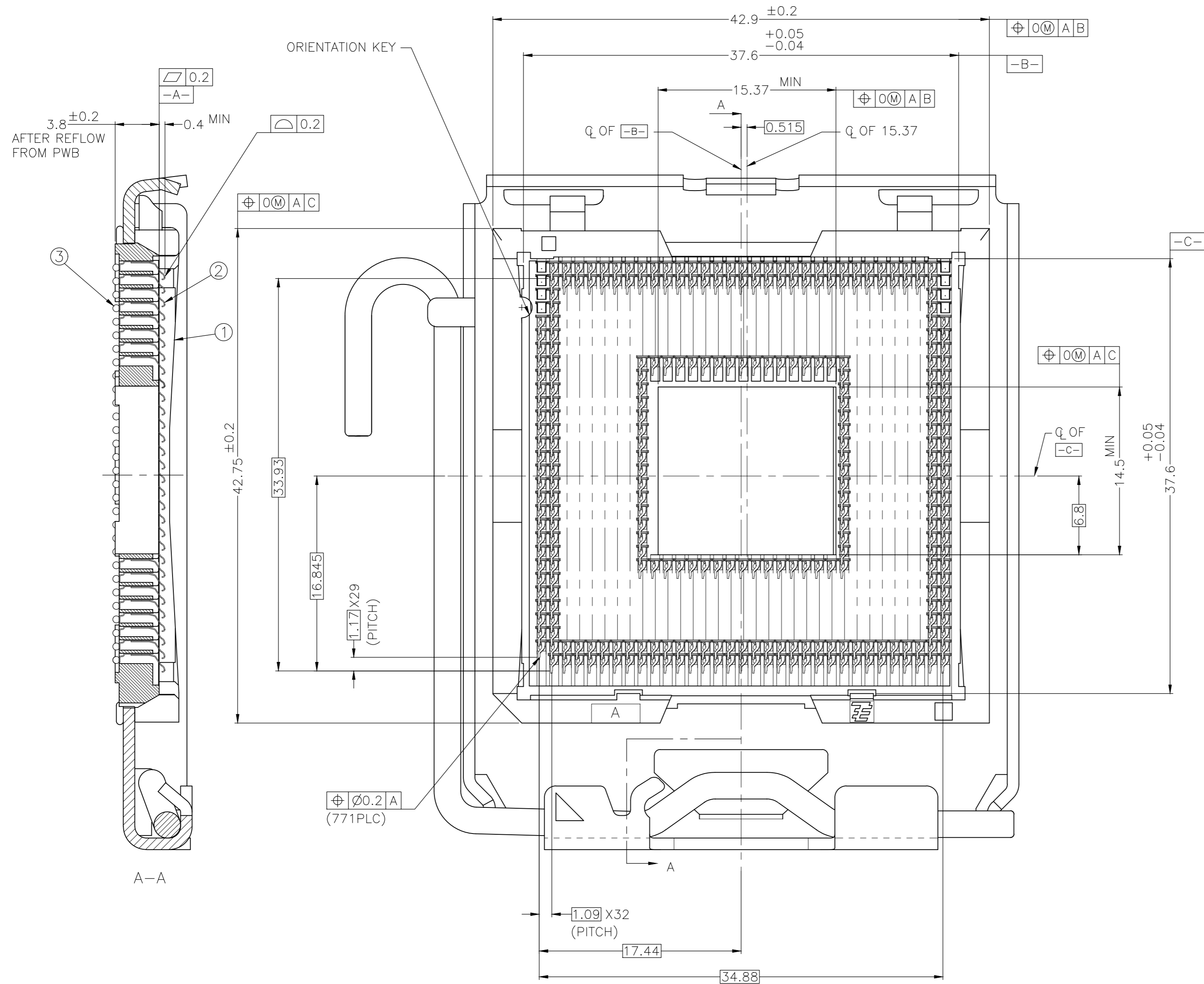
LOC		DIST		REVISIONS			
P	LTR	DESCRIPTION	DATE	DWN	APVD		
-	-	SEE SHEET 1	-	-	-		



THIS DRAWING IS A CONTROLLED DOCUMENT.		DWN	Tyco Electronics		Tyco Electronics AMP K.K. Kawasaki, Japan	
DIMENSIONS: MM		CHK	NAME		DSL ASS'Y LGA771	
TOLERANCES UNLESS OTHERWISE SPECIFIED:		APVD	PRODUCT SPEC		APPLICATION SPEC	
6 PLC ±		WEIGHT	SIZE		CAGE CODE	
1 PLC ±		-		A2		00779
2 PLC ±		-		DRAWING NO		C=1747890
3 PLC ±		-		RESTRICTED TO		-
4 PLC ±		-		SCALE		NTS
ANGLES ± 3°		CUSTOMER DRAWING		SHEET		2 OF 3
FINISH		-		REV		L2

THIS DRAWING IS UNPUBLISHED. RELEASED FOR PUBLICATION
 © COPYRIGHT BY TYCO ELECTRONICS CORPORATION. ALL RIGHTS RESERVED.

LOC		DIST		REVISIONS			
P	LTR	DESCRIPTION	DATE	DWN	APVD		
-	-	SEE SHEET 1	-	-	-		



THESE VIEWS DON'T SHOW LOAD PLATE AND CAP

THIS DRAWING IS A CONTROLLED DOCUMENT.		DWN	Tyco Electronics Kawasaki, Japan	
DIMENSIONS: MM		CHK	NAME: DSL ASS'Y LGA771	
TOLERANCES UNLESS OTHERWISE SPECIFIED:		APVD	SIZE: A2	
Ø PLC ± 0.1		PRODUCT SPEC	CAGE CODE: 00779	DRAWING NO: C=1747890
1 PLC ± 0.1		APPLICATION SPEC	RESTRICTED TO: -	
2 PLC ± 0.1		WEIGHT	SCALE: NTS	
3 PLC ± 0.1		CUSTOMER DRAWING	SHEET 3 OF 3	
4 PLC ± 0.1			REV L2	
ANGLES ± 3°				
FINISH				

X-ON Electronics

Largest Supplier of Electrical and Electronic Components

Click to view similar products for [IC & Component Sockets](#) category:

Click to view products by [TE Connectivity](#) manufacturer:

Other Similar products are found below :

[0066-3-17-15-30-14-02-0](#) [670](#) [672](#) [673](#) [694-13-640-00-672-000](#) [712-93-120-41-001000](#) [714-93-104-31-018000](#) [8059-4G1-LF](#) [807-22-001-10-001101](#) [807-22-001-10-006101](#) [807-22-001-30-011101](#) [807-22-001-30-012101](#) [807-22-001-30-013101](#) [807-22-001-30-014101](#) [8-1437531-4](#) [8150-6P10](#) [833-93-034-10-001000](#) [851-41-006-10-001000](#) [851-43-008-20-001000](#) [851-43-014-20-001000](#) [851-93-006-20-001000](#) [851-93-010-20-001000](#) [853-43-020-10-001000](#) [86.010.0053.0](#) [116-43-308-41-007000](#) [PX-68LCC](#) [121-13-318-41-001000](#) [121-13-320-41-001000](#) [121-13-308-41-001000](#) [123-43-314-41-801000](#) [123-43-420-41-001000](#) [122-13-316-41-001000](#) [123-13-624-41-001000](#) [123-43-306-41-001000](#) [12-3513-11](#) [123-91-320-41-001000](#) [126-43-310-41-002000](#) [AKSUN 37V-T](#) [1437503-9](#) [1437504-1](#) [146-44-308-41-013000](#) [146-43-308-41-012000](#) [160-10-308-00-001000](#) [160-40-320-00-001000](#) [214-99-306-01-670800](#) [232-1270-02-0602](#) [2-382761-4](#) [2-5331677-4](#) [2-640360-3](#) [2801-2-00-50-00-00-07-0](#)