

4

3

2

1

THIS DRAWING IS UNPUBLISHED. RELEASED FOR PUBLICATION SEP. 2005.

© COPYRIGHT 2005 By - ALL RIGHTS RESERVED.

LOC J DIST / P LTR REVISIONS DESCRIPTION DATE DWN APVD

NOTICE: THIS COMMUNICATION INCLUDES TE CONNECTIVITY CONFIDENTIAL OR PROPRIETARY INFORMATION THAT MAY ALSO BE LEGALLY PRIVILEGED. F8 04MAR19 T.ZH S.L

|   |               |             |                                  |      |           |     |       |       |       |     |     |              |                                  |                                   |                            |
|---|---------------|-------------|----------------------------------|------|-----------|-----|-------|-------|-------|-----|-----|--------------|----------------------------------|-----------------------------------|----------------------------|
| D | AVAILABLE     | WITHOUT P/N | Au 0.1um MIN OVER PdNi 0.2um MIN | 6.28 | -         | 0.5 | 10.05 | -     | -     | 2.2 | 1.8 | WITHOUT BOSS | EMBOSS PACKING (SEE SHEET 2)     | WITHOUT FLANGE TYPE (SEE SHEET 8) | 1747981-3 (F7)             |
|   | AVAILABLE     | WITHOUT P/N | Au 0.76um                        | 16.3 | M3 x 0.5  | 0.5 | 10.05 | 10.95 | 7.98  | 2.2 | 1.8 | WITHOUT BOSS | EMBOSS PACKING (SEE SHEET 3)     | WITH FLANGE TYPE (SEE SHEET 7)    | 1-1747981-9                |
|   | AVAILABLE     | WITHOUT P/N | Au 0.1um MIN OVER PdNi 0.2um MIN | 6.28 | -         | 0.5 | 10.55 | -     | -     | 1.1 | 1.1 | WITHOUT BOSS | EMBOSS PACKING (SEE SHEET 2)     | WITHOUT FLANGE TYPE (SEE SHEET 6) | 9-1747981-2                |
|   | AVAILABLE     | WITH P/N    | Au 0.1um MIN OVER PdNi 0.2um MIN | -    | M3 x 0.5  | 1.0 | 10.55 | 12.75 | 10.08 | 2.2 | 1.8 | WITH BOSS    | SOFT TRAY PACKING (SEE SHEET 4)  | WITH FLANGE TYPE (SEE SHEET 7)    | 9-1747981-1                |
|   | AVAILABLE     | WITHOUT P/N | Au 0.1um MIN OVER PdNi 0.2um MIN | 16.3 | M3 x 0.5  | 0.5 | 10.05 | 10.95 | 7.98  | 2.2 | 1.8 | WITHOUT BOSS | EMBOSS PACKING (SEE SHEET 3)     | WITH FLANGE TYPE (SEE SHEET 7)    | 8-1747981-2<br>2-1747981-5 |
|   | AVAILABLE     | WITHOUT P/N | Au 0.1um MIN OVER PdNi 0.2um MIN | -    | M3 x 0.5  | 0.5 | 10.05 | 10.95 | 7.98  | 2.2 | 1.8 | WITHOUT BOSS | CLEAR TRAY PACKING (SEE SHEET 4) | WITH FLANGE TYPE (SEE SHEET 7)    | 8-1747981-1                |
|   | AVAILABLE     | WITHOUT P/N | Au 0.1um MIN OVER PdNi 0.2um MIN | -    | M3 x 0.5  | 1.0 | 10.55 | 12.75 | 10.08 | 2.2 | 1.8 | WITH BOSS    | SOFT TRAY PACKING (SEE SHEET 4)  | WITH FLANGE TYPE (SEE SHEET 7)    | 3-1747981-1                |
|   | NOT AVAILABLE | WITHOUT P/N | Au 0.1um MIN OVER PdNi 0.2um MIN | 16.3 | #4-40 UNC | 0.5 | 10.55 | 12.75 | 10.08 | 2.2 | 1.8 | WITH BOSS    | EMBOSS PACKING (SEE SHEET 3)     | WITH FLANGE TYPE (SEE SHEET 7)    | 2-1747981-4                |
|   | AVAILABLE     | WITHOUT P/N | Au 0.76um MIN                    | 16.3 | M3 x 0.5  | 1.0 | 10.55 | 12.75 | 10.08 | 2.2 | 1.8 | WITHOUT BOSS | EMBOSS PACKING (SEE SHEET 3)     | WITH FLANGE TYPE (SEE SHEET 7)    | 2-1747981-3                |
| C | NOT AVAILABLE | WITHOUT P/N | Au 0.1um MIN OVER PdNi 0.2um MIN | -    | #4-40 UNC | 0.5 | 10.05 | 12.75 | 10.08 | 2.2 | 1.8 | WITHOUT BOSS | HARDTRAY PACKING (-)             | WITH FLANGE TYPE (SEE SHEET 7)    | 2-1747981-2                |
|   | AVAILABLE     | WITHOUT P/N | Au 0.76um MIN                    | -    | M3 x 0.5  | 1.0 | 10.55 | 12.75 | 10.08 | 2.2 | 1.8 | WITHOUT BOSS | SOFT TRAY PACKING (SEE SHEET 4)  | WITH FLANGE TYPE (SEE SHEET 7)    | 2-1747981-1                |
|   | AVAILABLE     | WITHOUT P/N | Au 0.1um MIN OVER PdNi 0.2um MIN | -    | M3 x 0.5  | 1.0 | 10.55 | 12.75 | 10.08 | 1.5 | 1.5 | WITHOUT BOSS | SOFT TRAY PACKING (SEE SHEET 4)  | WITH FLANGE TYPE (SEE SHEET 7)    | 1-1747981-8                |
|   | AVAILABLE     | WITHOUT P/N | Au 0.1um MIN OVER PdNi 0.2um MIN | 16.3 | M3 x 0.5  | 1.0 | 10.55 | 12.75 | 10.08 | 2.2 | 1.8 | WITHOUT BOSS | EMBOSS PACKING (SEE SHEET 3)     | WITH FLANGE TYPE (SEE SHEET 7)    | 1-1747981-7                |
|   | AVAILABLE     | WITHOUT P/N | Au 0.1um MIN OVER PdNi 0.2um MIN | -    | M3 x 0.5  | 0.5 | 10.05 | 10.95 | 7.98  | 2.2 | 1.8 | WITHOUT BOSS | SOFT TRAY PACKING (SEE SHEET 5)  | WITH FLANGE TYPE (SEE SHEET 7)    | 1-1747981-6                |
|   | AVAILABLE     | WITHOUT P/N | Au 0.1um MIN OVER PdNi 0.2um MIN | 16.3 | M3 x 0.5  | 0.5 | 10.05 | 10.95 | 7.98  | 1.5 | 1.5 | WITHOUT BOSS | EMBOSS PACKING (SEE SHEET 3)     | WITH FLANGE TYPE (SEE SHEET 7)    | 1-1747981-5                |
|   | AVAILABLE     | WITHOUT P/N | Au 0.1um MIN OVER PdNi 0.2um MIN | -    | M3 x 0.5  | 1.0 | 10.55 | 12.75 | 10.08 | 2.2 | 1.8 | WITHOUT BOSS | SOFT TRAY PACKING (SEE SHEET 4)  | WITH FLANGE TYPE (SEE SHEET 7)    | 1-1747981-4                |
| B | AVAILABLE     | WITHOUT P/N | Au 0.1um MIN OVER PdNi 0.2um MIN | -    | #4-40 UNC | 0.5 | 10.05 | 12.75 | 10.08 | 2.2 | 1.8 | WITHOUT BOSS | SOFT TRAY PACKING (SEE SHEET 4)  | WITH FLANGE TYPE (SEE SHEET 7)    | 1-1747981-3                |
|   | AVAILABLE     | WITHOUT P/N | Au 0.1um MIN OVER PdNi 0.2um MIN | -    | M3 x 0.5  | 0.5 | 10.05 | 10.95 | 7.98  | 1.5 | 1.5 | WITHOUT BOSS | SOFT TRAY PACKING (SEE SHEET 4)  | WITH FLANGE TYPE (SEE SHEET 7)    | 1-1747981-2                |
|   | AVAILABLE     | WITHOUT P/N | Au 0.1um MIN OVER PdNi 0.2um MIN | -    | M3 x 0.5  | 0.5 | 10.05 | 10.95 | 7.98  | 2.2 | 1.8 | WITHOUT BOSS | SOFT TRAY PACKING (SEE SHEET 4)  | WITH FLANGE TYPE (SEE SHEET 7)    | 1-1747981-1                |
|   | AVAILABLE     | WITHOUT P/N | Au 0.1um MIN OVER PdNi 0.2um MIN | 6.28 | -         | 0.5 | 10.05 | -     | -     | 1.5 | 1.5 | WITHOUT BOSS | EMBOSS PACKING (SEE SHEET 2)     | WITHOUT FLANGE TYPE (SEE SHEET 6) | 1747981-2                  |
|   | AVAILABLE     | WITHOUT P/N | Au 0.1um MIN OVER PdNi 0.2um MIN | 6.28 | -         | 0.5 | 10.05 | -     | -     | 2.2 | 1.8 | WITHOUT BOSS | EMBOSS PACKING (SEE SHEET 2)     | WITHOUT FLANGE TYPE (SEE SHEET 6) | 1747981-1                  |
|   | AVAILABLE     | WITHOUT P/N | Au 0.76um MIN                    | 6.28 | -         | 0.5 | 10.05 | -     | -     | 2.2 | 1.8 | WITHOUT BOSS | EMBOSS PACKING (SEE SHEET 2)     | WITHOUT FLANGE TYPE (SEE SHEET 6) | 3-1747981-2                |

TOOL STATUS PART NUMBER MARKING CONTACT AREA PLATING SPEC J DIM H SCREW SIZE DIM G DIM F DIM E DIM D DIM C DIM B DIM A BOSS PACKING CONNECTOR TYPE PART NUMBER

- 1 CONTACT COPLANALITY IS 0.1 MAXIMUM.
- △ THIS DIMENSION MEANS CENTER OF THE POCKET.
- △ FINISH
- △ CONTACT: CONTACT AREA J: SEE TABLE
- 2μm MIN Sn PLATING ON SOLDERING AREA
- 2μm MIN Ni UNDER PLATING ALL OVER
- SHELL: 1μm MIN Sn PLATING ALL OVER
- 1μm MIN Ni UNDER PLATING ALL OVER
- △ REFER TO THE TABLE FOR BO
- △ SCREW SIZE
- △ PART NUMBER MAKING

THIS DRAWING IS A CONTROLLED DOCUMENT.

|                 |           |
|-----------------|-----------|
| DWN Y. HIRATA   | 15SEP2005 |
| CHK T. KIMURA   | 15SEP2005 |
| APVD K. IKEGAMI | 15SEP2005 |

NAME: TE Connectivity

PRODUCT SPEC: HDMI 19 POS RECEPTACLE ASSY SMT TYPE -LEAD FREE-

APPLICATION SPEC: 108-78180-1

SIZE: A3 CAGE CODE: 00779 DRAWING NO: C-1747981 RESTRICTED TO: -

WEIGHT: MATERIAL: FINISH: ANGLE: ±

CUSTOMER DRAWING SCALE: NTS SHEET: 1 of 9 REV: F8

A

A

THIS DRAWING IS UNPUBLISHED.

RELEASED FOR PUBLICATION

SEP. 2005.

© COPYRIGHT 2005 By -

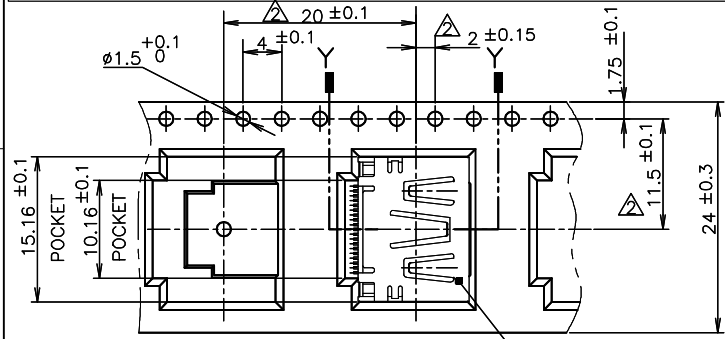
ALL RIGHTS RESERVED.

LOC J DIST

REVISIONS

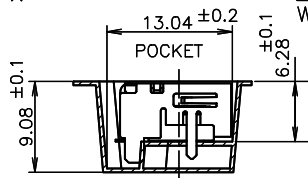
| P | LTR | DESCRIPTION | DATE | DWN | APVD |
|---|-----|-------------|------|-----|------|
| - | -   | SEE SHEET 1 | -    | -   | -    |

NOTICE: THIS COMMUNICATION INCLUDES TE CONNECTIVITY CONFIDENTIAL OR PROPRIETARY INFORMATION THAT MAY ALSO BE LEGALLY PRIVILEGED.

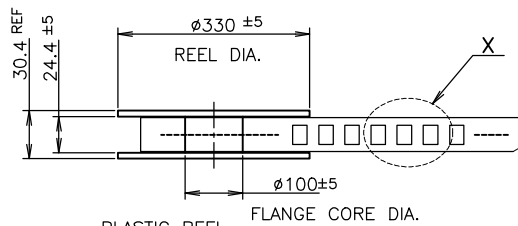


DETAIL X

CONNECTOR WITHOUT FLANGE TYPE



SHOWN AS: 1747981-3



PLASTIC REEL

PULL OUT DIRECTION

EMBOSS REEL

WEEDING THE COVER TAPE: 300 MIN (NOT INCLUDE EMPTINESS POCKET)

PELLING ANGLE: 165°~180° PEELING STRENGTH: 0.1~0.7N (300mm/min.)

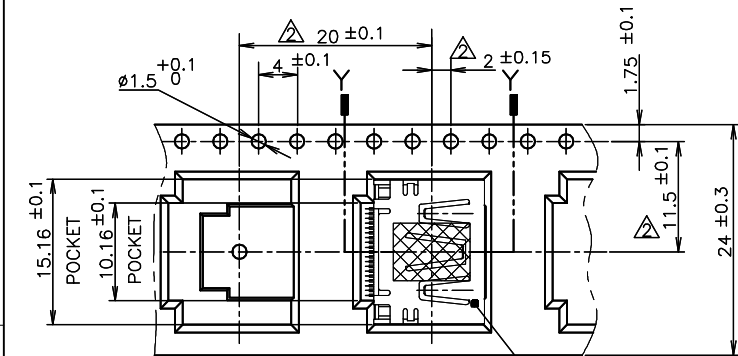
400<sup>MIN</sup> WITHOUT CHARGE WITH PRODUCT CHARGE QTY:300PCS 25MIN WITHOUT CHARGE

LABEL DESCRIPTION

TE CONNECTIVITY P/N: 1747981-\* QTY: 300 pcs D/C: MADE IN CHINA

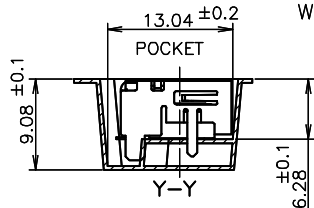
SHOWN AS: 3-1747981-2 9-1747981-2 1747981-2 1747981-1

|     |         |                     |             |
|-----|---------|---------------------|-------------|
| 300 | WITHOUT | WITHOUT FLANGE TYPE | 1747981-3   |
| 300 | WITH    | WITHOUT FLANGE TYPE | 3-1747981-2 |
| 300 | WITH    | WITHOUT FLANGE TYPE | 9-1747981-2 |
| 300 | WITH    | WITHOUT FLANGE TYPE | 1747981-2   |
| 300 | WITH    | WITHOUT FLANGE TYPE | 1747981-1   |
| QTY | MYLAR   | CONNECTOR TYPE      | PART NUMBER |



DETAIL X

CONNECTOR WITHOUT FLANGE TYPE



THIS DRAWING IS A CONTROLLED DOCUMENT.

DIMENSIONS: mm TOLERANCES UNLESS OTHERWISE SPECIFIED:

0 PLC  $\pm 0.2$   
1 PLC  $\pm 0.2$   
2 PLC  $\pm 0.2$   
3 PLC  $\pm 0.2$   
4 PLC  $\pm 0.2$   
ANGLES  $\pm$

MATERIAL FINISH

DWN  
CHK  
APVD  
PRODUCT SPEC  
108-78180-1  
APPLICATION SPEC

TE Connectivity

TE Connectivity

HDMI 19 POS  
RECEPTACLE ASSY SMT TYPE  
-LEAD FREE-

SIZE A3 CAGE CODE 00779 DRAWING NO C=1747981

WEIGHT

CUSTOMER DRAWING

SCALE NTS

SHEET

2 of 9

REV F8

4

3

2

1

THIS DRAWING IS UNPUBLISHED.

RELEASED FOR PUBLICATION

SEP .2005.

LOC J DIST

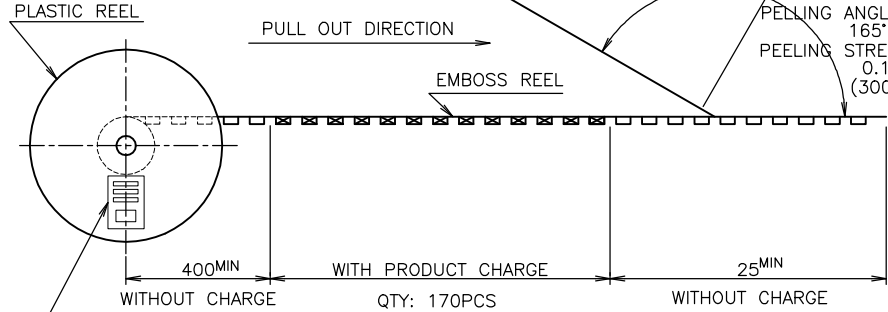
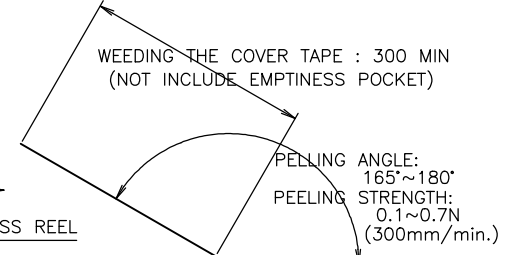
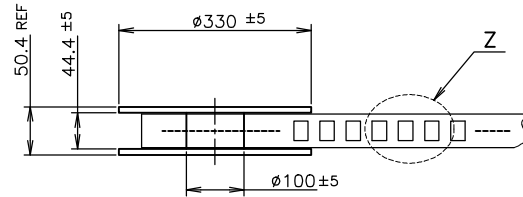
REVISIONS

© COPYRIGHT 2005 By -

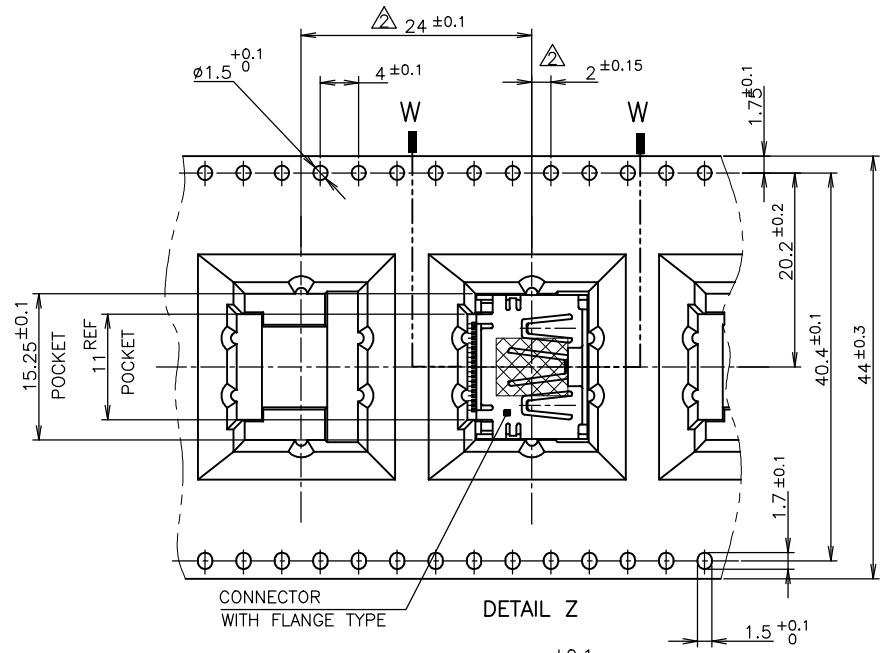
ALL RIGHTS RESERVED.

| P | LTR | DESCRIPTION | DATE | DWN | APVD |
|---|-----|-------------|------|-----|------|
| - | -   | SEE SHEET 1 | -    | -   | -    |

NOTICE: THIS COMMUNICATION INCLUDES TE CONNECTIVITY CONFIDENTIAL OR PROPRIETARY INFORMATION THAT MAY ALSO BE LEGALLY PRIVILEGED.

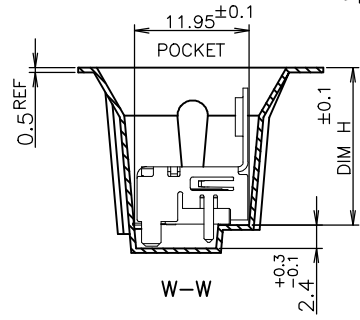


TE CONNECTIVITY P/N.: \*-1747981-\*  
 QTY: 170 pcs  
 D/C:  
 MADE IN CHINA



CONNECTOR WITH FLANGE TYPE

DETAIL Z



|     |                  |             |
|-----|------------------|-------------|
| 170 | WITH FLANGE TYPE | 1-1747981-9 |
| 170 | WITH FLANGE TYPE | 8-1747981-2 |
| 170 | WITH FLANGE TYPE | 2-1747981-5 |
| 170 | WITH FLANGE TYPE | 2-1747981-4 |
| 170 | WITH FLANGE TYPE | 2-1747981-3 |
| 170 | WITH FLANGE TYPE | 1-1747981-7 |
| 170 | WITH FLANGE TYPE | 1-1747981-5 |
| QTY | CONNECTOR TYPE   | PART NUMBER |

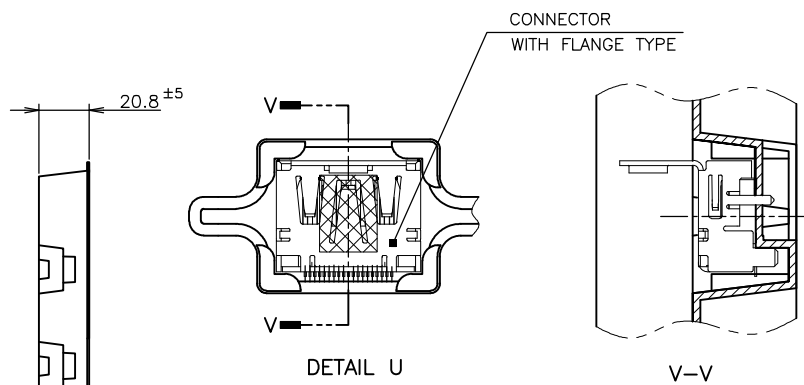
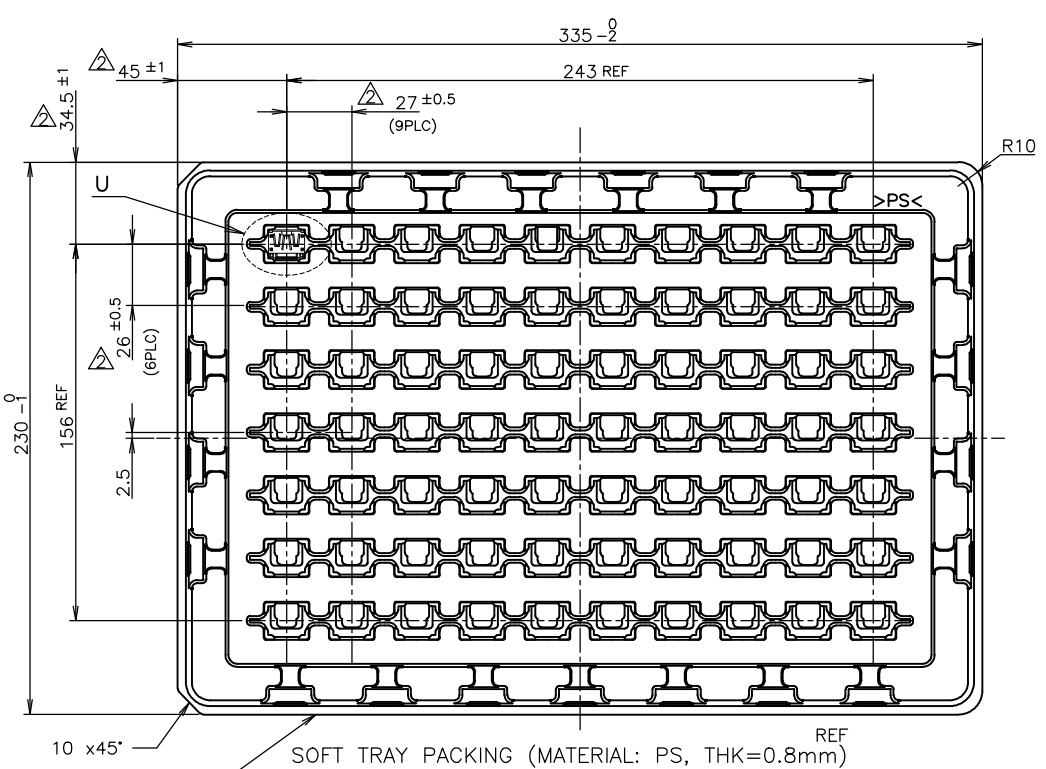
THIS DRAWING IS A CONTROLLED DOCUMENT.

|                  |  |                  |                          |           |            |
|------------------|--|------------------|--------------------------|-----------|------------|
| DIMENSIONS: mm   | TOLERANCES UNLESS OTHERWISE SPECIFIED: | DIN              | TE Connectivity          |           |            |
| 0 PLC ± 0.2      | 1 PLC ± 0.2                            | CHK              | HDMI 19 POS              |           |            |
| 2 PLC ± 0.2      | 3 PLC ± 0.2                            | APVD             | RECEPTACLE ASSY SMT TYPE |           |            |
| 4 PLC ± 0.2      | ANGLES ± ±                             | PRODUCT SPEC     | -LEAD FREE-              |           |            |
| MATERIAL         | FINISH                                 | APPLICATION SPEC | SIZE                     | CAGE CODE | DRAWING NO |
|                  |  | WEIGHT           | A3                       | 00779     | C=1747981  |
| CUSTOMER DRAWING |  |                  | SCALE                    | SHEET     | REV        |
|                  |  |                  | NTS                      | 3 of 9    | F8         |

70 WITH FLANGE TYPE 1-1747981-9

THIS DRAWING IS UNPUBLISHED. RELEASED FOR PUBLICATION SEP. 2005. ALL RIGHTS RESERVED.

| LOC | DIST | REVISIONS   |      |     |      |
|-----|------|-------------|------|-----|------|
| P   | LTR  | DESCRIPTION | DATE | DWN | APVD |
| J   |      | SEE SHEET 1 |      |     |      |



|     |                  |             |
|-----|------------------|-------------|
| 70  | WITH FLANGE TYPE | 9-1747981-1 |
| 70  | WITH FLANGE TYPE | 8-1747981-1 |
| 70  | WITH FLANGE TYPE | 3-1747981-1 |
| 70  | WITH FLANGE TYPE | 2-1747981-1 |
| 70  | WITH FLANGE TYPE | 1-1747981-8 |
| 70  | WITH FLANGE TYPE | 1-1747981-4 |
| 70  | WITH FLANGE TYPE | 1-1747981-3 |
| 70  | WITH FLANGE TYPE | 1-1747981-2 |
| 70  | WITH FLANGE TYPE | 1-1747981-1 |
| QTY | CONNECTOR TYPE   | PART NUMBER |

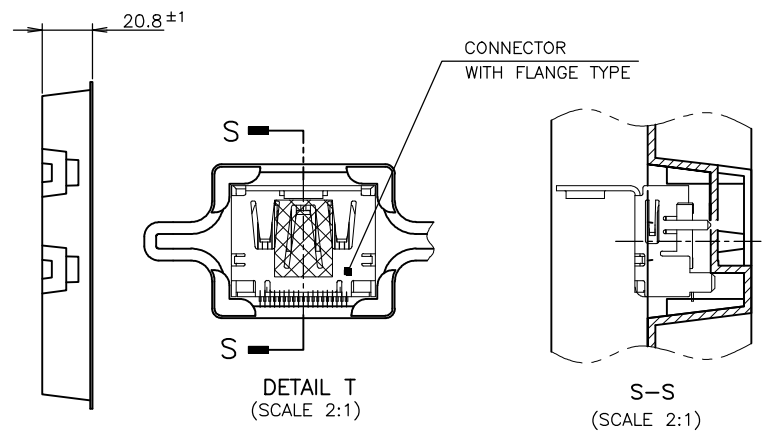
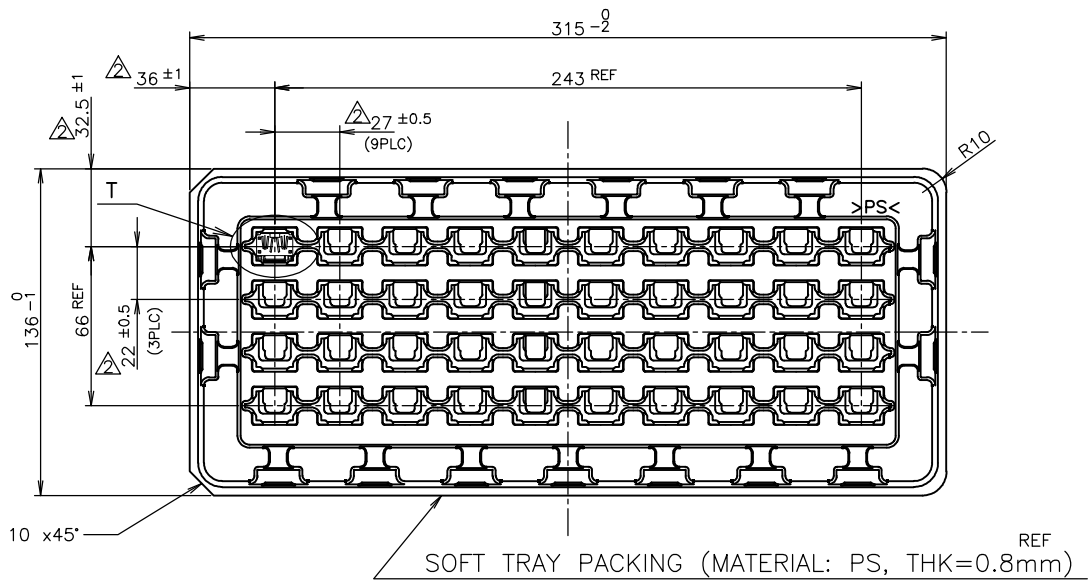
NOTICE: THIS COMMUNICATION INCLUDES TE CONNECTIVITY CONFIDENTIAL OR PROPRIETARY INFORMATION THAT MAY ALSO BE LEGALLY PRIVILEGED.

THIS DRAWING IS A CONTROLLED DOCUMENT.

|                    |  |  |             |                             |                    |                         |                    |
|--------------------|--|--|-------------|-----------------------------|--------------------|-------------------------|--------------------|
| DIMENSIONS: mm     | TOLERANCES UNLESS OTHERWISE SPECIFIED: | 0 PLC ± 0.2  | 1 PLC ± 0.2 | 2 PLC ± 0.2 ± 0.3           | 3 PLC ± 0.2        | 4 PLC ± 0.2             | ANGLES ± -         |
| MATERIAL           | FINISH                                 |  |             | PRODUCT SPEC<br>108-78180-1 |                    | APPLICATION SPEC        |                    |
| DWN<br>CHK<br>APVD |  | NAME<br>HDMI 19 POS<br>RECEPTACLE ASSY SMT TYPE<br>-LEAD FREE- |             | SIZE<br>A3                  | CAGE CODE<br>00779 | DRAWING NO<br>C-1747981 | RESTRICTED TO<br>- |
| CUSTOMER DRAWING   |  |  |             | SCALE<br>NTS                | SHEET<br>4 of 9    | REV<br>F8               |                    |

THIS DRAWING IS UNPUBLISHED. RELEASED FOR PUBLICATION SEP. 2005. ALL RIGHTS RESERVED.

| LOC |     | DIST        |  | REVISIONS   |  |  | DATE | DWN | APVD |
|-----|-----|-------------|--|-------------|--|--|------|-----|------|
| P   | LTR | DESCRIPTION |  |             |  |  |      |     |      |
| J   |     | -           |  | SEE SHEET 1 |  |  |      |     |      |



NOTICE: THIS COMMUNICATION INCLUDES TE CONNECTIVITY CONFIDENTIAL OR PROPRIETARY INFORMATION THAT MAY ALSO BE LEGALLY PRIVILEGED.

THIS DRAWING IS A CONTROLLED DOCUMENT.

| DIMENSIONS: | TOLERANCES UNLESS OTHERWISE SPECIFIED: |
|-------------|--|
| mm          |  |
| 0 PLC       | ± 0.2                                  |
| 1 PLC       | ± 0.2                                  |
| 2 PLC       | ± 0.2                                  |
| 3 PLC       | ± 0.2 ± 0.3                            |
| 4 PLC       | ± 0.2                                  |
| ANGLES      | ± -                                    |

MATERIAL: \_\_\_\_\_ FINISH: \_\_\_\_\_

|  |                  |                       |
|--|------------------|-----------------------|
| 40   | WITH FLANGE TYPE | 1-1747981-6           |
| QTY  | CONNECTOR TYPE   | PART NUMBER           |
|  |                  |                       |
| NAME: HDMI 19 POS RECEPTACLE ASSY SMT TYPE -LEAD FREE- |                  |                       |
| SIZE: A3   | CAGE CODE: 00779 | DRAWING NO: C=1747981 |
| CUSTOMER DRAWING                                       |                  | RESTRICTED TO: -      |
| SCALE: NTS   | SHEET: 5 of 9    | REV: F8               |

THIS DRAWING IS UNPUBLISHED.

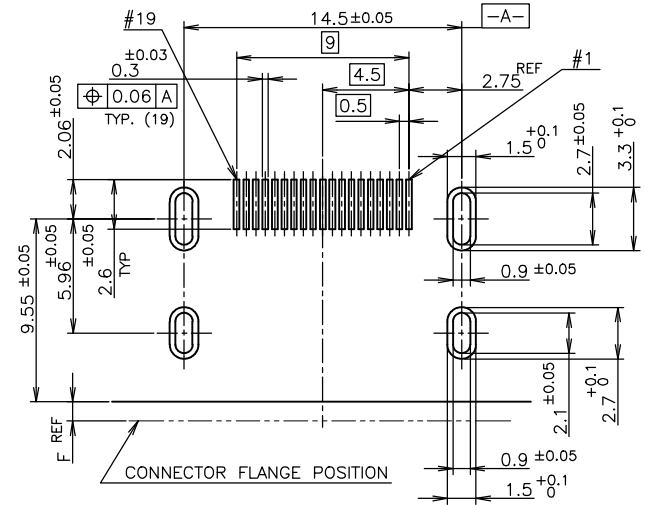
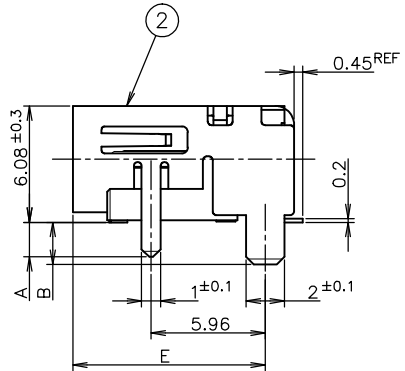
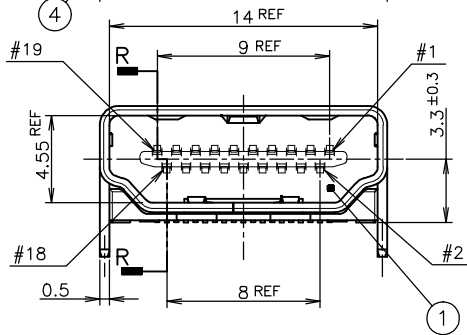
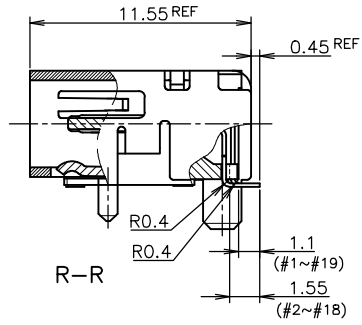
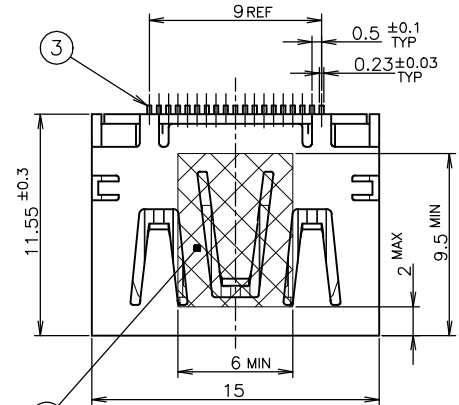
RELEASED FOR PUBLICATION

SEP. 2005.

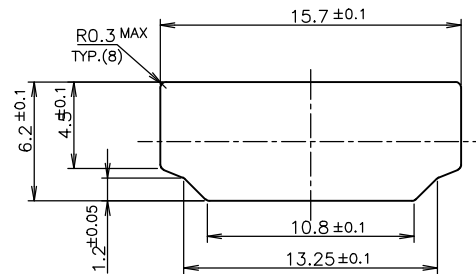
© COPYRIGHT 2005 By -

ALL RIGHTS RESERVED.

| LOC |     | DIST        |  | REVISIONS |     |      |  |
|-----|-----|-------------|--|-----------|-----|------|--|
| P   | LTR | DESCRIPTION |  | DATE      | DWN | APVD |  |
| -   | -   | SEE SHEET 1 |  | -         | -   | -    |  |



P.C.B LAYOUT  
SHOWN AS CONNECTOR MOUNTING SIDE  
TOLERANCE: NON-CUMULATIVE  
(REFERENCE)



PANEL CUT OUT DIMENSION  
(REFERENCE)

CONNECTOR WITHOUT FLANGE TYPE

NOTICE: THIS COMMUNICATION INCLUDES TE CONNECTIVITY CONFIDENTIAL OR PROPRIETARY INFORMATION THAT MAY ALSO BE LEGALLY PRIVILEGED.

| THICKNESS | COLOR | MATERIAL                           | QTY | DISCRIPTION    | ITEM |
|-----------|-------|------------------------------------|-----|----------------|------|
| 0.08mm    | Brown | POLYIMIDE                          | 1   | POLYIMIDE TAPE | ④    |
|           |       | COPPER ALLOY                       | 19  | CONTACT        | ③    |
|           |       | COPPER ALLOY                       | 1   | SHELL          | ②    |
|           |       | THERMOPLASTIC UL94V-0, BLACK COLOR | 1   | HOUSING        | ①    |
| FINISH    |       | MATERIAL                           | QTY | DISCRIPTION    | ITEM |

THIS DRAWING IS A CONTROLLED DOCUMENT.

|                |  |                  |                          |               |
|----------------|--|------------------|--------------------------|---------------|
| DIMENSIONS: mm | TOLERANCES UNLESS OTHERWISE SPECIFIED: | DWN              | TE Connectivity          |               |
| 0 PLC ± 0.2    | 1 PLC ± 0.2                            | CHK              | NAME                     |               |
| 1 PLC ± 0.2    | 2 PLC ± 0.2                            | APVD             | HDMI 19 POS              |               |
| 2 PLC ± 0.2    | 3 PLC ± 0.2                            | PRODUCT SPEC     | RECEPTACLE ASSY SMT TYPE |               |
| 3 PLC ± 0.2    | 4 PLC ± 0.2                            | APPLICATION SPEC | -LEAD FREE-              |               |
| 4 PLC ± 0.2    | ANGLES ± ±                             | WEIGHT           | SIZE                     | CAGE CODE     |
| MATERIAL       | FINISH                                 | CUSTOMER DRAWING | A3                       | 00779         |
|                |  |                  | DRAWING NO               | RESTRICTED TO |
|                |  |                  | C=1747981                |               |
|                |  |                  | SCALE 4:1                | SHEET 6 OF 9  |
|                |  |                  |                          | REV F8        |

THIS DRAWING IS UNPUBLISHED.

RELEASED FOR PUBLICATION

SEP. 2005.

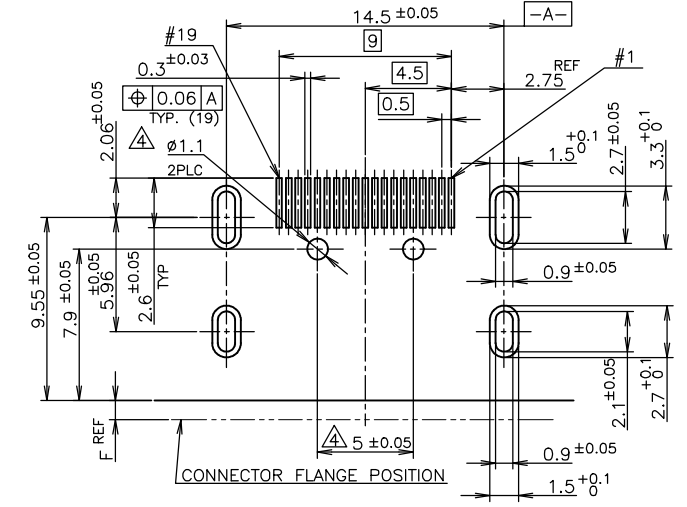
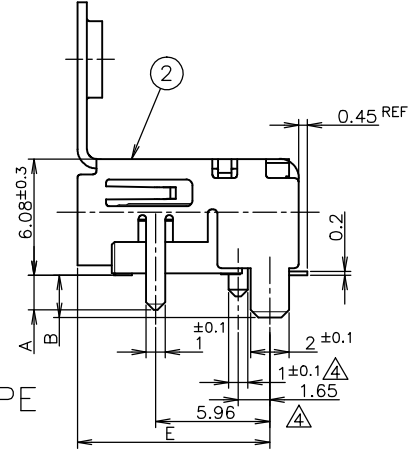
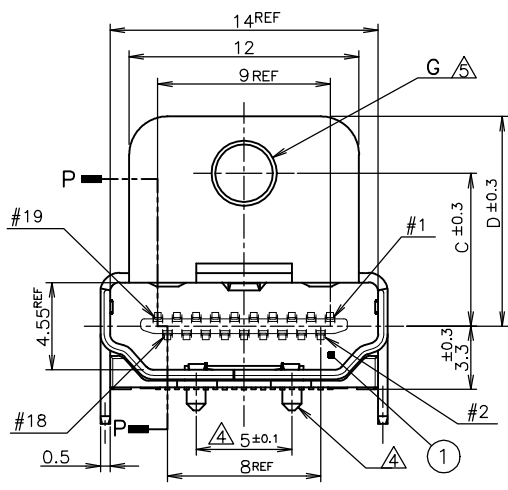
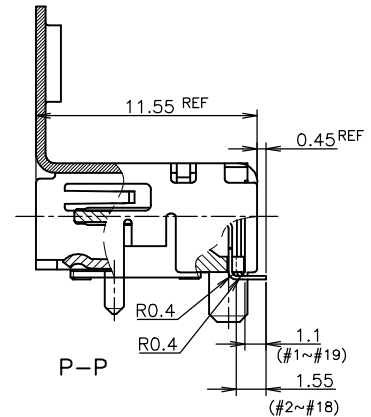
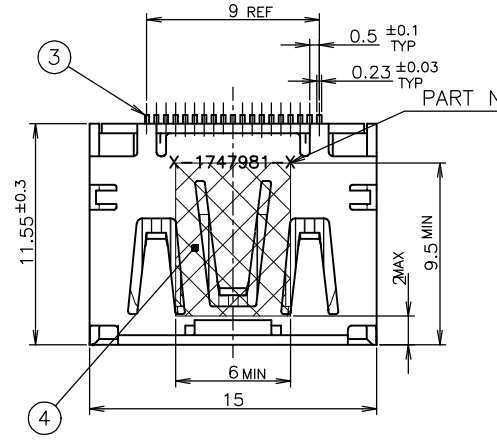
© COPYRIGHT 2005 By -

ALL RIGHTS RESERVED.

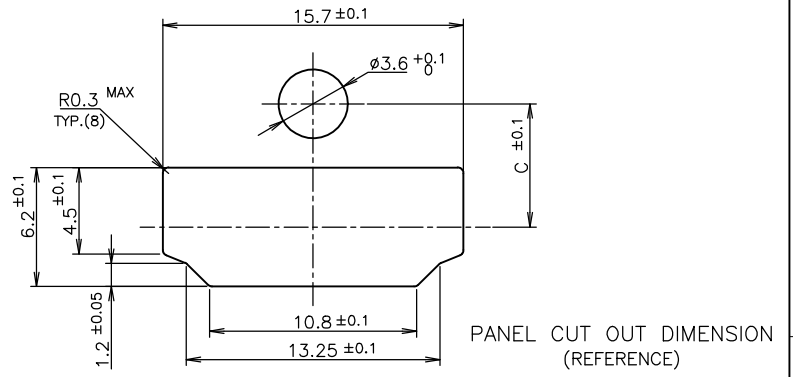
LOC J  
DIST

REVISIONS

| P | LTR | DESCRIPTION | DATE | DWN | APVD |
|---|-----|-------------|------|-----|------|
| - | -   | SEE SHEET 1 | -    | -   | -    |



P.C.B LAYOUT SHOWN AS CONNECTOR MOUNTING SIDE TOLERANCE: NON-CUMULATIVE (REFERENCE)



CONNECTOR WITH FLANGE TYPE

NOTICE: THIS COMMUNICATION INCLUDES TE CONNECTIVITY CONFIDENTIAL OR PROPRIETARY INFORMATION THAT MAY ALSO BE LEGALLY PRIVILEGED.

THIS DRAWING IS A CONTROLLED DOCUMENT.

| DIMENSIONS: | TOLERANCES UNLESS OTHERWISE SPECIFIED: |
|-------------|--|
| mm          | 0 PLC ± 0.2                            |
|             | 1 PLC ± 0.2                            |
|             | 2 PLC ± 0.2                            |
|             | 3 PLC ± 0.2                            |
|             | 4 PLC ± 0.2                            |
|             | ANGLES ±                               |

|      |              |                  |              |                  |
|------|--------------|------------------|--------------|------------------|
| DWN  | CHK          | APVD             | PRODUCT SPEC | 108-78180-1      |
| APVD | PRODUCT SPEC | APPLICATION SPEC | WEIGHT       | CUSTOMER DRAWING |

|                           |           |                          |   |               |   |
|---------------------------|-----------|--------------------------|---|---------------|---|
| <b>TE</b> TE Connectivity |           | NAME                     |   | RESTRICTED TO |   |
| HDMI 19 POS               |           | RECEPTACLE ASSY SMT TYPE |   | -LEAD FREE-   |   |
| SIZE                      | CAGE CODE | DRAWING NO               |   |               |   |
| A3                        | 00779     | C-1747981                |   |               |   |
| SCALE                     | NTS       | SHEET                    | 7 | OF            | 9 |
| REV                       | F8        |                          |   |               |   |

| THICKNESS | COLOR | MATERIAL                           | QTY | DISCRIPTION    | ITEM |
|-----------|-------|------------------------------------|-----|----------------|------|
| 0.08      | Brown | POLYIMIDE                          | 1   | POLYIMIDE TAPE | ④    |
|           |       | COPPER ALLOY                       | 19  | CONTACT        | ③    |
|           |       | COPPER ALLOY                       | 1   | SHELL          | ②    |
|           |       | THERMOPLASTIC UL94V-0, BLACK COLOR | 1   | HOUSING        | ①    |

4

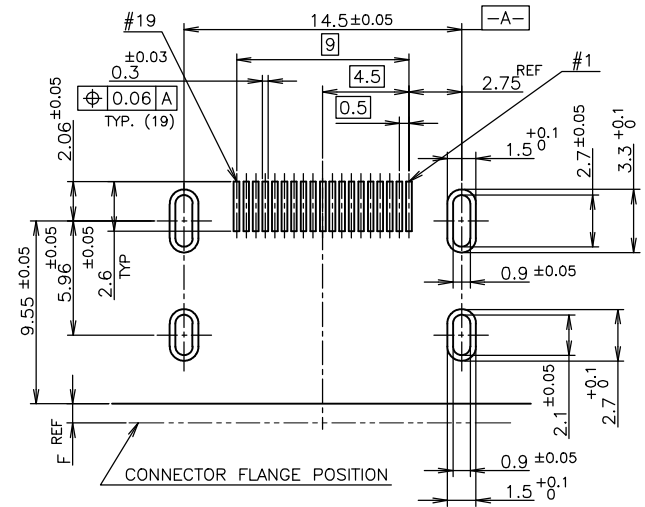
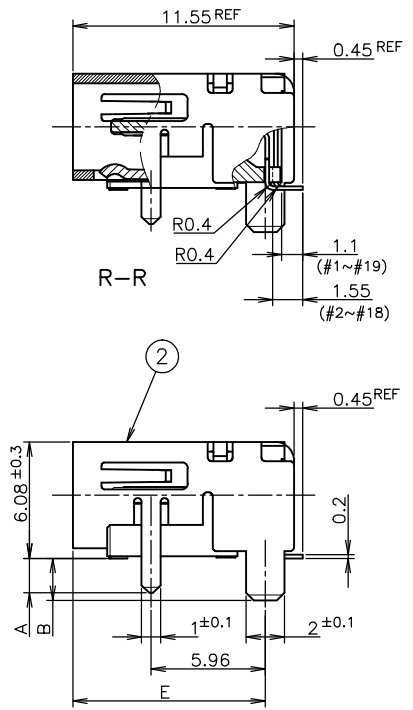
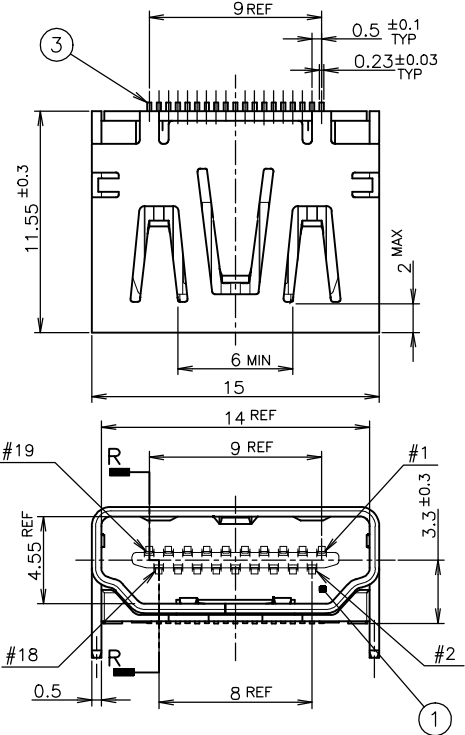
3

2

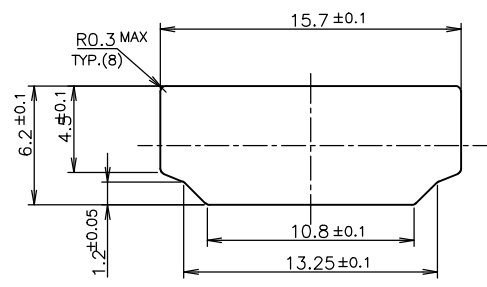
1

THIS DRAWING IS UNPUBLISHED. RELEASED FOR PUBLICATION SEP. 2005.  
 © COPYRIGHT 2005 By - ALL RIGHTS RESERVED.

| LOC | DIST | REVISIONS   |      |     |      |
|-----|------|-------------|------|-----|------|
| P   | LTR  | DESCRIPTION | DATE | DWN | APVD |
| J   |      | SEE SHEET 1 |      |     |      |



P.C.B LAYOUT SHOWN AS CONNECTOR MOUNTING SIDE TOLERANCE: NON-CUMULATIVE (REFERENCE)



PANEL CUT OUT DIMENSION (REFERENCE)

CONNECTOR WITHOUT FLANGE TYPE

NOTICE: THIS COMMUNICATION INCLUDES TE CONNECTIVITY CONFIDENTIAL OR PROPRIETARY INFORMATION THAT MAY ALSO BE LEGALLY PRIVILEGED.

|  |  |  |  |                  |  |  |              |  |        |
|--|--|--|--|------------------|--|--|--------------|--|--------|
| THIS DRAWING IS A CONTROLLED DOCUMENT. |  |  |  | DWN              | TE Connectivity                                  |  |              |  |        |
| DIMENSIONS: mm                         |  |  |  | CHK              | NAME   |  |              |  |        |
| TOLERANCES UNLESS OTHERWISE SPECIFIED: |  |  |  | APVD             | HDMI 19 POS RECEPTACLE ASSY SMT TYPE -LEAD FREE- |  |              |  |        |
| 0 PLC ± 0.2                            |  |  |  | PRODUCT SPEC     | 108-78180-1                                      |  |              |  |        |
| 1 PLC ± 0.2                            |  |  |  | APPLICATION SPEC | DRAWING NO                                       |  |              |  |        |
| 2 PLC ± 0.2                            |  |  |  | WEIGHT           | A300779 C-1747981                                |  |              |  |        |
| 3 PLC ± 0.2                            |  |  |  | CUSTOMER DRAWING | SCALE 4:1  |  | SHEET 8 OF 9 |  | REV F8 |
| 4 PLC ± 0.2                            |  |  |  |                  |  |  |              |  |        |
| ANGLES ±                               |  |  |  |                  |  |  |              |  |        |
| FINISH                                 |  |  |  |                  |  |  |              |  |        |
| MATERIAL                               |  |  |  |                  |  |  |              |  |        |

| FINISH | MATERIAL                           | QTY | DISCRIPTION | ITEM |
|--------|------------------------------------|-----|-------------|------|
|        | COPPER ALLOY                       | 19  | CONTACT     | ③    |
|        | COPPER ALLOY                       | 1   | SHELL       | ②    |
|        | THERMOPLASTIC UL94V-0, BLACK COLOR | 1   | HOUSING     | ①    |



THIS DRAWING IS UNPUBLISHED.

RELEASED FOR PUBLICATION

SEP. 2005.

© COPYRIGHT 2005 By -

ALL RIGHTS RESERVED.

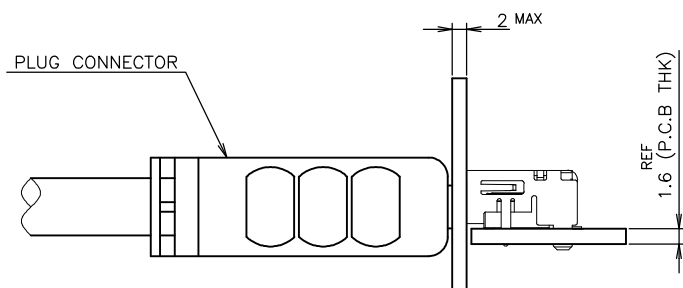
LOC

DIST

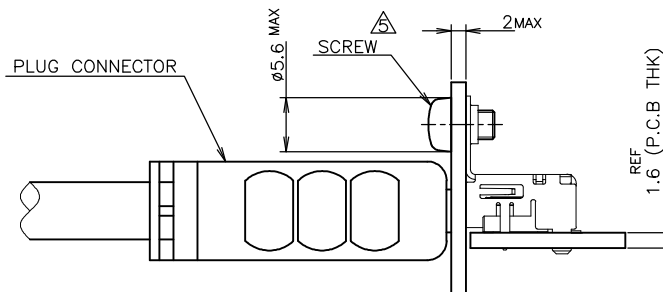
REVISIONS

| P | LTR | DESCRIPTION | DATE | DWN | APVD |
|---|-----|-------------|------|-----|------|
| - | -   | SEE SHEET 1 | -    | -   | -    |

NOTICE: THIS COMMUNICATION INCLUDES TE CONNECTIVITY CONFIDENTIAL OR PROPRIETARY INFORMATION THAT MAY ALSO BE LEGALLY PRIVILEGED.



CONNECTOR WITHOUT FLANGE TYPE



CONNECTOR WITH FLANGE TYPE

MATING CONDITION (REFERENCE)  
(SCALE 2:1)

|  |  |                  |                           |               |
|--|--|------------------|---------------------------|---------------|
| THIS DRAWING IS A CONTROLLED DOCUMENT. |  | DWN              | <b>TE</b> TE Connectivity |               |
| DIMENSIONS: mm                         |  | CHK              |                           |               |
| TOLERANCES UNLESS OTHERWISE SPECIFIED: |  | APVD             | NAME                      |               |
| 0 PLC ± 0.2                            |  | PRODUCT SPEC     | HDMI 19 POS               |               |
| 1 PLC ± 0.2                            |  | APPLICATION SPEC | RECEPTACLE ASSY SMT TYPE  |               |
| 2 PLC ± 0.2                            |  | 108-78180-1      | -LEAD FREE-               |               |
| 3 PLC ± 0.2                            |  | WEIGHT           | SIZE                      | CAGE CODE     |
| 4 PLC ± 0.2                            |  | MATERIAL         | A3                        | 00779         |
| ANGLES ± -                             |  | FINISH           | DRAWING NO                | RESTRICTED TO |
|  |  |                  | C-1747981                 |               |
|  |  | CUSTOMER DRAWING | SCALE 2:1                 | SHEET 9 OF 9  |
|  |  |                  | REV F8                    |               |

## X-ON Electronics

Largest Supplier of Electrical and Electronic Components

*Click to view similar products for [HDMI, Displayport & DVI Connectors](#) category:*

*Click to view products by [TE Connectivity](#) manufacturer:*

Other Similar products are found below :

[1775247-3](#) [2-1932649-5](#) [30-1231](#) [30-528](#) [2069485-1](#) [30-504](#) [30-519](#) [30-542](#) [47648-2000](#) [2002-400](#) [769-103/021-000](#) [1932649-1](#) [233-368NFG6-17NH](#) [PJ-210A](#) [PJ-35825](#) [6321-026RDS1MWA02](#) [FDB0901-M0DB300K6KF](#) [DV11201-H5R6-4F](#) [RPI-16337](#) [CC-MDPM-VGAM-6](#) [RPI-16338](#) [CCB-HDMIL-1.5M](#) [CCB-HDMIL-1M](#) [CCB-HDMIL-2M](#) [CCB-HDMIL-3M](#) [CCB-HDMIL-5M](#) [CCB-HDMIL-7.5M](#) [CCBP-HDMI-10M](#) [CCBP-HDMI-1M](#) [CCBP-HDMI-2M](#) [CCBP-HDMI-3M](#) [CCBP-HDMI-5M](#) [CCBP-HDMI-7.5M](#) [CCBP-HDMI8K-1M](#) [CCBP-HDMI8K-2M](#) [CCBP-HDMI8K-3M](#) [AK-AV-02](#) [AK-AV-03](#) [AK-AV-05](#) [AK-AV-11](#) [AK-AV-13](#) [AK-AV-15](#) [CCP-MDP2-6](#) [CCP-MDPMDP2-6](#) [AK-HD-05A](#) [AK-HD-100A](#) [AK-HD-100P](#) [AK-HD-15P](#) [AK-HD-30A](#) [AK-HD-30P](#)