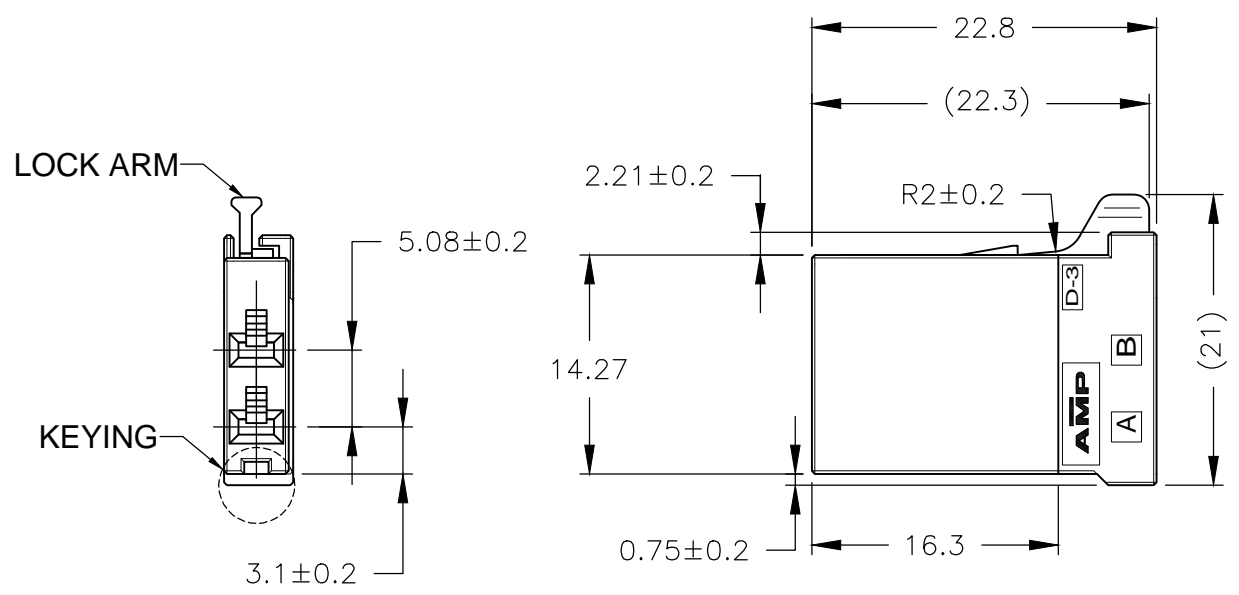
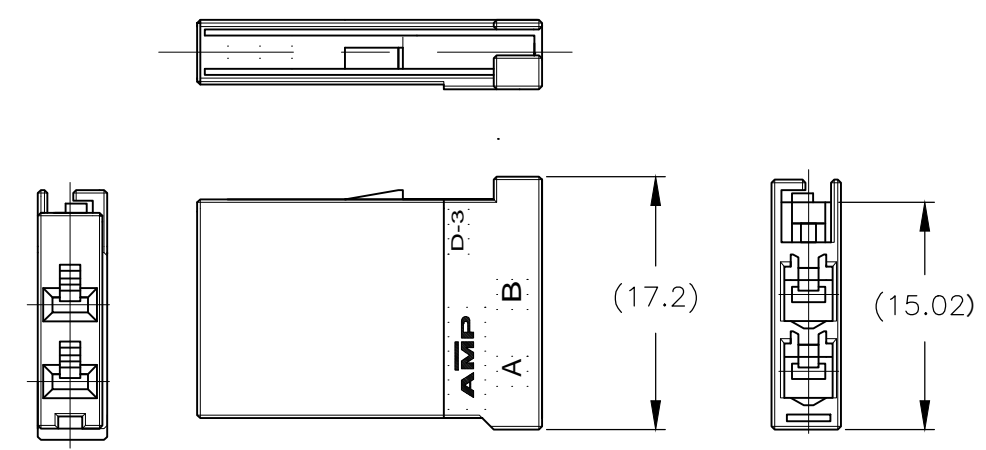
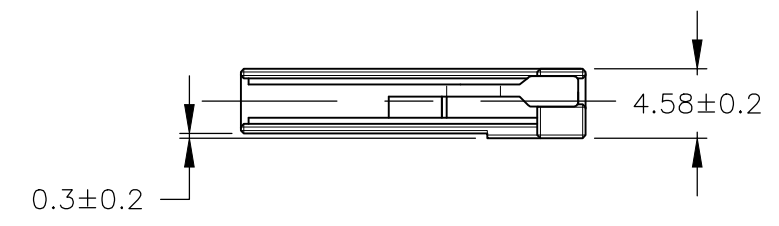
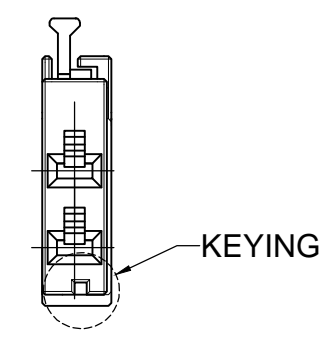
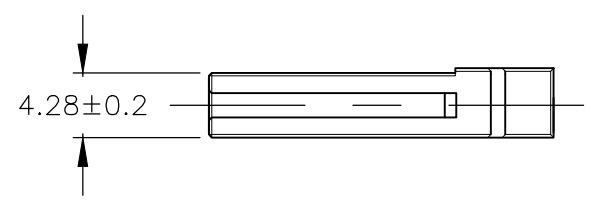


THIS DRAWING IS UNPUBLISHED. RELEASED FOR PUBLICATION
 © COPYRIGHT - TE Connectivity Ltd. ALL RIGHTS RESERVED.

REVISIONS					
P	LTR	DESCRIPTION	DATE	DWN	APVD
E		REVISED PER ECR-19-012746	14AUG2019	T.S	E.I



175362-2:AS SHOWN
 LOCK ARM: W/O




175362-3:AS SHOWN
 KEYING: Y

175362-1:AS SHOWN
 KEYING:X
 LOCK ARM:WITH

1.MATERIAL:GALSS FIELD THERMO PLASTIC POLYESTER
 2.QUALIFICATION TEST REPORT:501-5013

LOCK ARM	COLOR	KEYING	PART NUMBER
WITH	BLUE	X	2-175362-1
WITH	NATURAL	X	1-175362-1
WITH	BLACK	Y	175362-3
W/O	BLACK	X	175362-2
WITH	BLACK	X	175362-1

THIS DRAWING IS A CONTROLLED DOCUMENT.		DWN T.YONEBAYASHI 18MAR1992	 TE Connectivity	
DIMENSIONS: mm		CHK S.MANABE 07APL1992		
TOLERANCES UNLESS OTHERWISE SPECIFIED:		APVD S.MANABE 07APL1992	NAME DYNAMIC D3500 RECEPTACLE HOUSING 2POSN	
0 PLC ± 0.25 1 PLC ± 0.25 2 PLC ± 0.25 3 PLC ± 0.25 4 PLC ± - ANGLES ± 3°		PRODUCT SPEC 108-5349	RESTRICTED TO	
MATERIAL		APPLICATION SPEC	SIZE A3	CAGE CODE 00779
FINISH		WEIGHT 0	DRAWING NO C-175362	REV E
CUSTOMER DRAWING			SCALE 2:1	SHEET 1 OF 1

X-ON Electronics

Largest Supplier of Electrical and Electronic Components

Click to view similar products for [Headers & Wire Housings](#) category:

Click to view products by [TE Connectivity](#) manufacturer:

Other Similar products are found below :

[892-18-020-10-001101](#) [58102-G61-06LF](#) [582553-1](#) [0009485154](#) [009176003701906](#) [0050291907](#) [LY20-4P-DT1-P1E-BR](#) [02.125.8002.8](#)
[609-3404](#) [61062-3](#) [61082-181009](#) [622-3653LF](#) [63453-116](#) [636-1030](#) [636-1427](#) [636-3427](#) [636-4007](#) [641938-9](#) [641991-4](#) [644827-2](#) [65817-010LF](#) [65817-015LF](#) [65863-015LF](#) [66207-023LF](#) [67095-007LF](#) [67601157](#) [68645-018](#) [68648-049](#) [70.362.1628.0](#) [70-4210](#) [70-4226B](#) [70-4853B](#) [707-5020](#) [707-5028](#) [71.350.2428.0](#) [71918-208LF](#) [71961-016LF](#) [733-134](#) [733-162](#) [754199-000](#) [760-3052](#) [787-8014-00](#) [79531-3000](#)
[FCN-360C032-B](#) [FCN-367T-T012/H](#) [FCN-723D010/2](#) [80.063.4001.1](#) [800-90-001-10-001000](#) [800-90-010-10-002000](#) [801-43-002-10-013000](#)