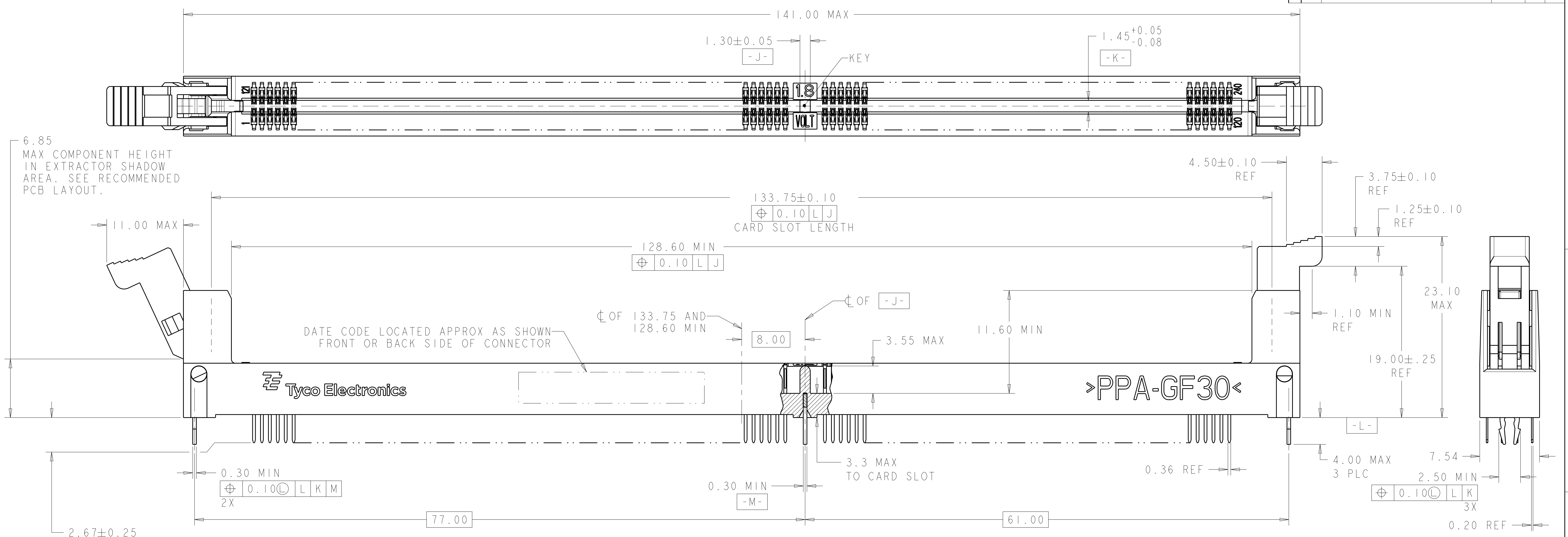


LOC	DIST	REV	DATE	BY	APPD
GP	00	A	20SEP2005	DRR	MY
		B	06DEC2005	DRR	LZ
		B2	12JUL10	D.S.	S.Y
		B3	27JUN2011	D.P.	C.W

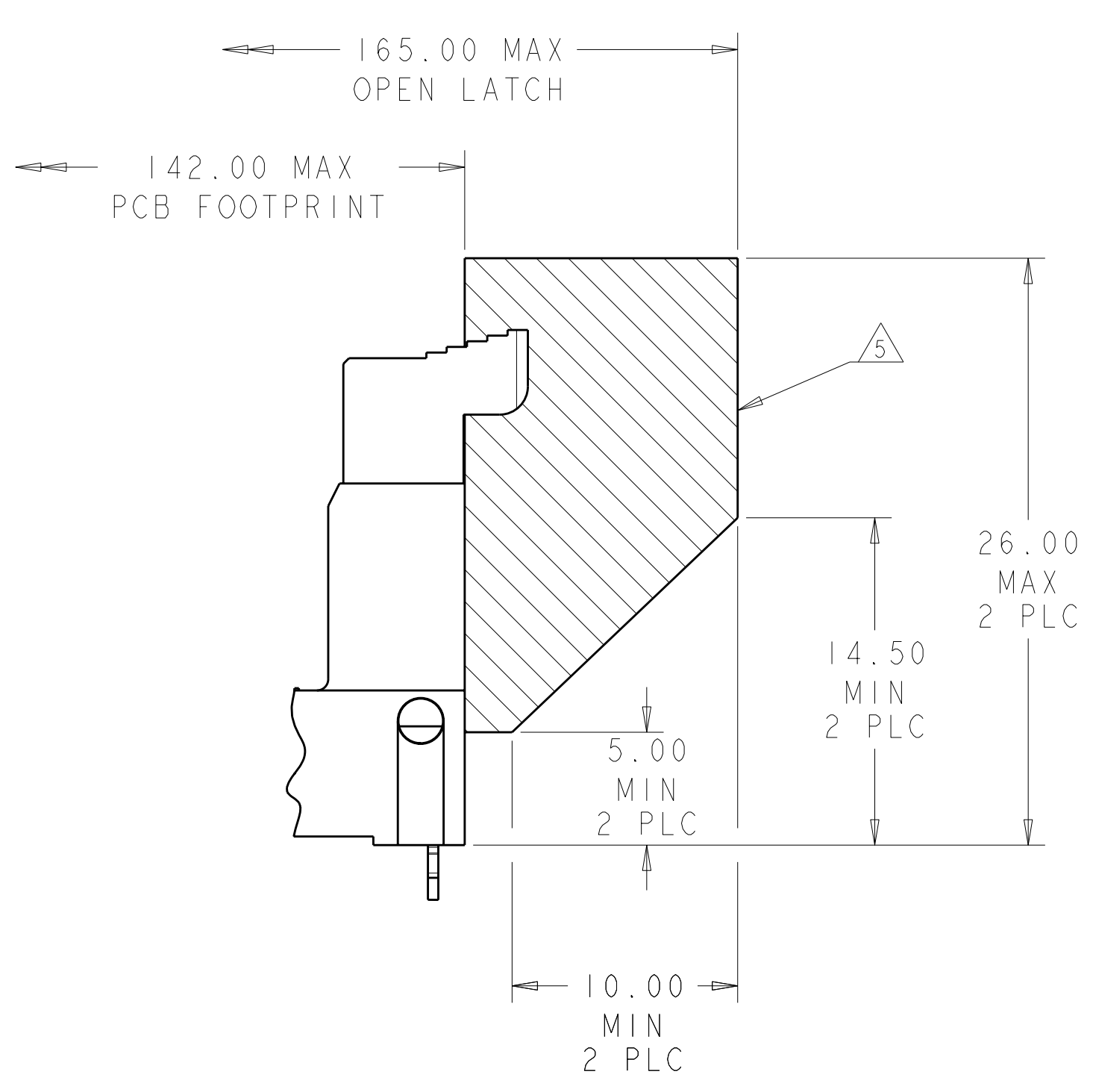


6.85  
 MAX COMPONENT HEIGHT  
 IN EXTRACTOR SHADOW  
 AREA. SEE RECOMMENDED  
 PCB LAYOUT.

DATE CODE LOCATED APPROX AS SHOWN  
 FRONT OR BACK SIDE OF CONNECTOR

- 2.67±0.25 FOR 1.60 (.063") THK PCB
- 3.18±0.25 FOR 2.36 (.093") THK PCB
- 4.00±0.25 FOR 3.18 (.125") THK PCB

- MATERIALS:**  
 HOUSING: HIGH TEMPERATURE NYLON, BLACK, UL94 V-0  
 EXTRACTOR: HIGH TEMPERATURE THERMOPLASTIC  
 CONTACTS: COPPER ALLOY  
 RETENTION BARB: STAINLESS STEEL
- INTERFACE FINISH:**  
 (1) 0.00076 MIN THK GOLD OVER 0.00127 MIN THK NICKEL  
 (2) 0.00038 MIN THK GOLD OVER 0.00127 MIN THK NICKEL  
 (3) 0.00008 MIN THK GOLD OVER 0.00127 MIN THK NICKEL
- FINISHED HOLE SIZE:** 0.15 MAXIMUM ANNULAR RING.
- KEEP OUT ZONE.**
- KEEP OUT AREA RESERVED FOR SOCKET EXTRACTORS, BOTH ENDS.**
- SOLDERTAIL FINISH:**  
 0.00300 MIN THK BRIGHT TIN-LEAD OVER 0.00127 MIN THK NICKEL.
- SOLDERTAIL FINISH:**  
 0.00300 MIN THK MATTE TIN OVER 0.00127 MIN THK NICKEL.
- LED LOCATION AS APPLICABLE PER CUSTOMER.**
- DATUM -G- IS CONNECTOR SIDE SURFACE OF PCB.**
- OBsolete PARTS: OBsolete CIS STREAMLINING PER D.RENAUD/D.SINISI**



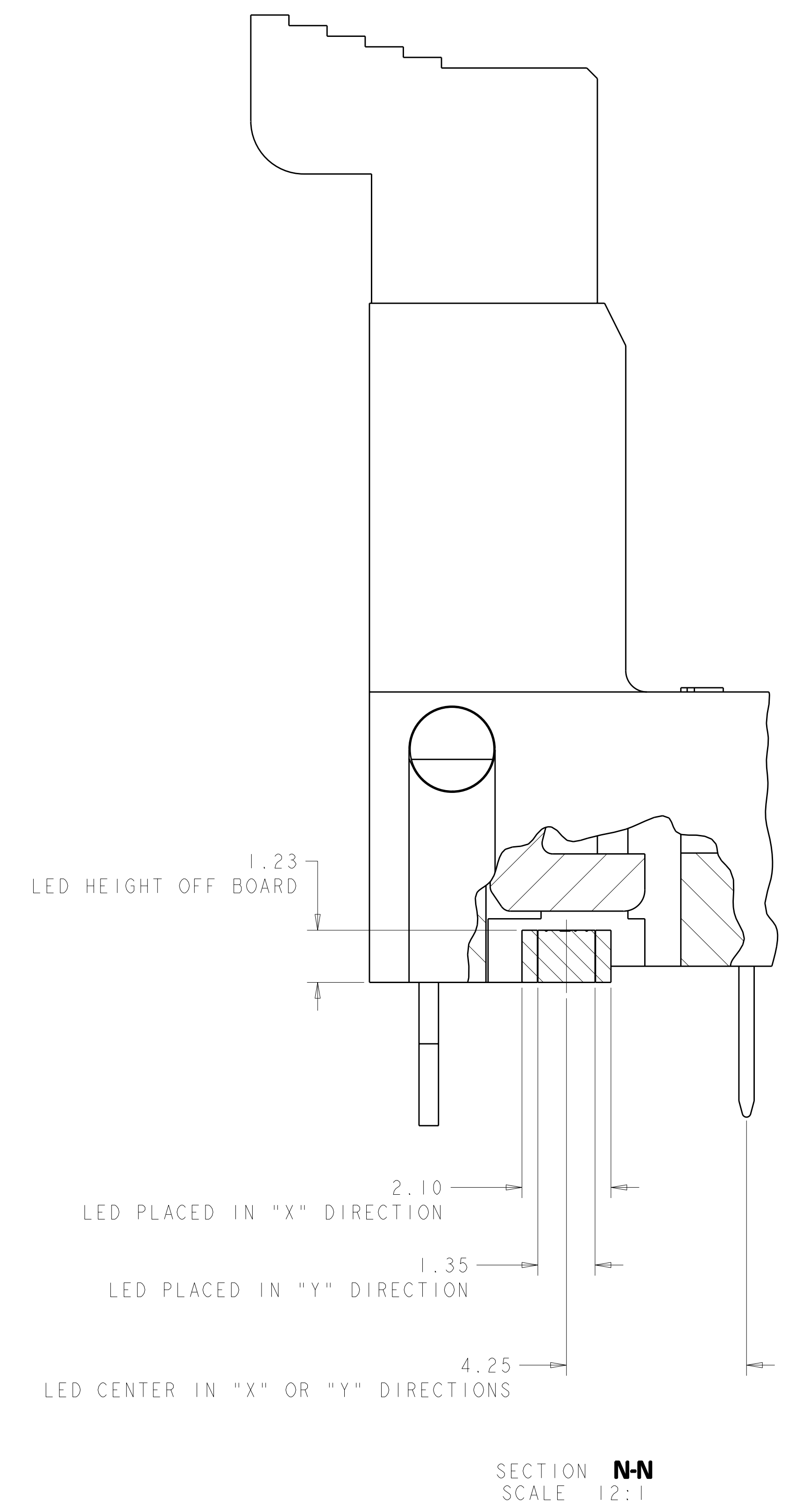
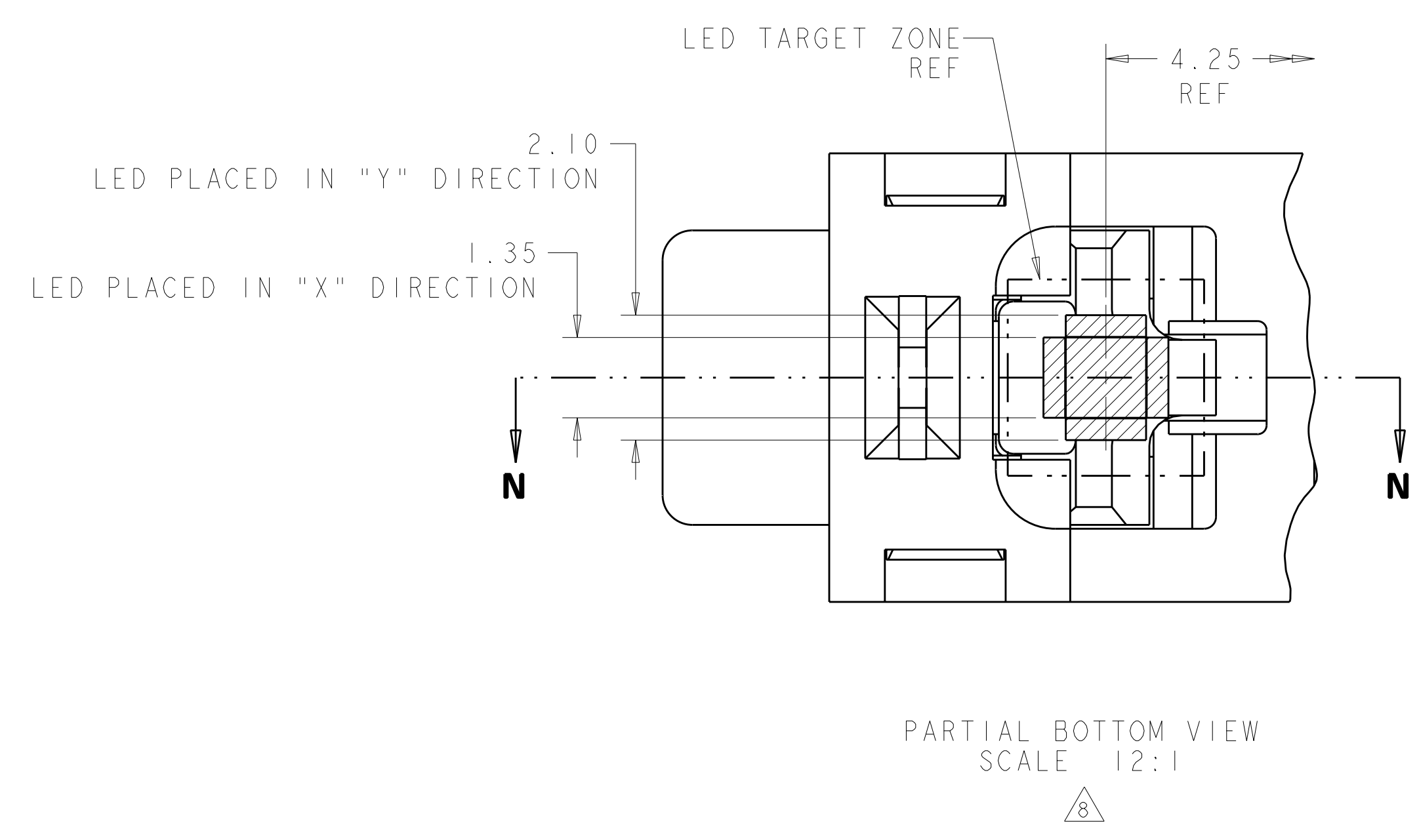
Color	Finish	Thickness	Length	Part Number
BLACK	△	0.00038 MIN	4.00	2-1761024-4
BLACK	△	0.00038 MIN	3.18	2-1761024-3
BLACK	△	0.00038 MIN	2.67	2-1761024-2
BLACK	△	0.00038 MIN	4.00	2-1761024-1
BLACK	△	0.00038 MIN	3.18	2-1761024-0
BLACK	△	0.00038 MIN	2.67	1-1761024-9
BLACK	△	0.00038 MIN	4.00	1-1761024-8
BLACK	△	0.00038 MIN	3.18	1-1761024-7
BLACK	△	0.00038 MIN	2.67	1-1761024-6
BLACK	△	0.00038 MIN	4.00	1-1761024-5
NATURAL	△	0.00038 MIN	3.18	1-1761024-4
NATURAL	△	0.00038 MIN	2.67	1-1761024-3
NATURAL	△	0.00038 MIN	4.00	1-1761024-2
NATURAL	△	0.00038 MIN	3.18	1-1761024-1
NATURAL	△	0.00038 MIN	2.67	1-1761024-0
NATURAL	△	0.00038 MIN	4.00	1761024-9
NATURAL	△	0.00038 MIN	3.18	1761024-8
NATURAL	△	0.00038 MIN	2.67	1761024-7
NATURAL	△	0.00038 MIN	4.00	1761024-6
NATURAL	△	0.00038 MIN	3.18	1761024-5
NATURAL	△	0.00038 MIN	2.67	1761024-4
NATURAL	△	0.00038 MIN	4.00	1761024-3
NATURAL	△	0.00038 MIN	3.18	1761024-2
NATURAL	△	0.00038 MIN	2.67	1761024-1
NATURAL	△	0.00038 MIN	4.00	1761024-0

EXTRACTOR COLOR	SOLDER TAIL	CONTACT GOLD INTERFACE	TAIL LENGTH	PART NUMBER
BLACK				

DIMENSIONS: mm  
 TOLERANCES UNLESS OTHERWISE SPECIFIED:  
 9 PLC ±.5  
 5 PLC ±.13  
 4 PLC ±.013  
 ANGLES ±.0001  
 FINISH: △  
 MATERIAL: △  
 WEIGHT: △  
 CUSTOMER DRAWING

DWN: D. RINGLER 11FEB2004  
 CHK: M. CORRELL 18FEB2004  
 APPD: M. YEOMANS 20SEP2005  
 NAME: SOCKET ASSEMBLY, VERTICAL FB DIMM, SOLDER TAIL, 240 POSITION  
 SIZE: 114-13154  
 WEIGHT: 00779  
 SCALE: 4:1  
 SHEET: 1 OF 3  
 REV: B3

LOC	DIST	REVISIONS			
P	LTB	DESCRIPTION	DATE	DWN	APVD
-	-	SEE SHEET 1	-	-	-

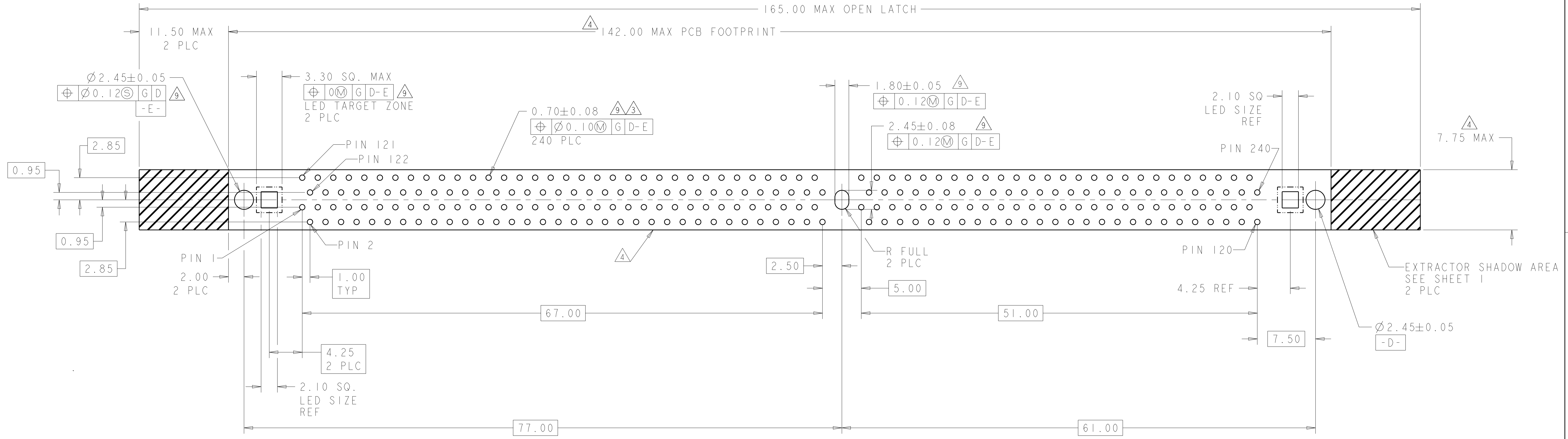


<small>THIS DRAWING IS UNPUBLISHED. RELEASED FOR PUBLICATION 20                  © COPYRIGHT 20 BY TYCO ELECTRONICS CORPORATION, ALL RIGHTS RESERVED.</small>		DWN D. RINGLER 11FEB2004 CHK M. CORRELL 18FEB2004 APVD M. YEOMANS 20SEP2005	Tyco Electronics Harrisburg, PA 17105-3608
DIMENSIONS: mm 	TOLERANCES UNLESS OTHERWISE SPECIFIED: 0 PLC ± 1 PLC ±0.5 2 PLC ±0.13 3 PLC ±0.013 4 PLC ±0.001 ANGLES ±	NAME SOCKET ASSEMBLY, VERTICAL FB DIMM, SOLDER TAIL, 240 POSITION PRODUCT SPEC 108-2214 APPLICATION SPEC 114-13154 WEIGHT - FINISH -	SIZE CAGE CODE DRAWING NO A11 00779 C-1761024 RESTRICTED TO CUSTOMER DRAWING SCALE 4:1 SHEET 2 OF 3 REV B3

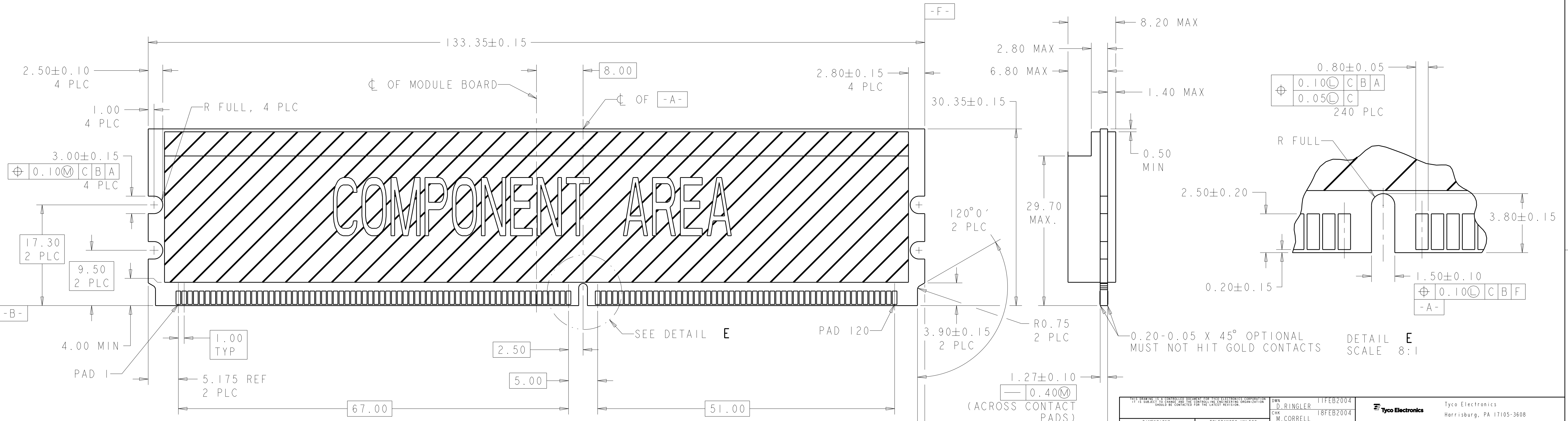
LOC	DIST	REV	DATE	BY	APPD
GP	00				

REVISIONS		DATE	BY	APPD
1	SEE SHEET 1			



RECOMMENDED PCB LAYOUT  
 VIEWED FROM CONNECTOR SIDE



RECOMMENDED MODULE LAYOUT  
 SCALE 3:1

<small>THIS DRAWING IS UNPUBLISHED. RELEASED FOR PUBLICATION BY TYCO ELECTRONICS CORPORATION, ALL RIGHTS RESERVED.</small>		DWN: D. RINGLER 11FEB2004 CHK: M. CORRELL 18FEB2004 APVD: M. YEOMANS 20SEP2005	Tyco Electronics Harrisburg, PA 17105-3608
DIMENSIONS: mm	TOLERANCES UNLESS OTHERWISE SPECIFIED: 9 PLC ±0.5 1 PLC ±0.13 5 PLC ±0.13 4 PLC ±0.001 ANGLES ±0.001	NAME: SOCKET ASSEMBLY, VERTICAL FB DIMM, SOLDER TAIL, 240 POSITION PRODUCT SPEC: 108-2214 APPLICATION SPEC: 114-13154 WEIGHT: - FINISH: -	SIZE: A1 CAGE CODE: 00779 DRAWING NO: C=1761024 SCALE: 1:1 SHEET: 3 OF 3 REV: B3
MATERIAL: -		CUSTOMER DRAWING	

## X-ON Electronics

Largest Supplier of Electrical and Electronic Components

*Click to view similar products for [DIMM Connectors](#) category:*

*Click to view products by [TE Connectivity](#) manufacturer:*

Other Similar products are found below :

[1-1932649-2](#) [1-1761024-0](#) [2309411-5](#) [1932180-2](#) [0783590111](#) [0783590001](#) [0877051053](#) [10079248-11103LF](#) [10086891-052TSLF](#)  
[10116658-252ASLF](#) [59355-052FSLF](#) [5390471-1](#) [10074146-13211LF](#) [10079248-10202LF](#) [2309407-3](#) [10033853-052ASLF](#) [87782-6003](#) [KIT-](#)  
[SODIMM-1X16GB/01](#) [0780350001](#) [0878030012](#) [75.963AT.G020C](#) [78.B1GDE.AF1](#) [10078239-11103LF](#) [6-390322-1](#) [2013311-1](#) [2309410-1](#)  
[10116658-052FSLF](#) [10116658-152FSLF](#) [1-1735438-3](#) [78730-1002](#) [78726-1002](#) [2013310-1](#) [390111-1](#) [1735438-3](#) [78373-0011](#) [2308107-1](#) [2-](#)  
[2308107-1](#) [2309411-1](#) [5-1746530-4](#) [2309408-1](#) [2309409-1](#) [2309412-1](#) [151134-0001](#) [2309413-1](#) [296406200001856+](#) [2309407-1](#) [FCN-](#)  
[074J240-G/1D](#) [FCN-074B288-G/2D](#) [2309414-1](#) [10081530-12208LF](#)