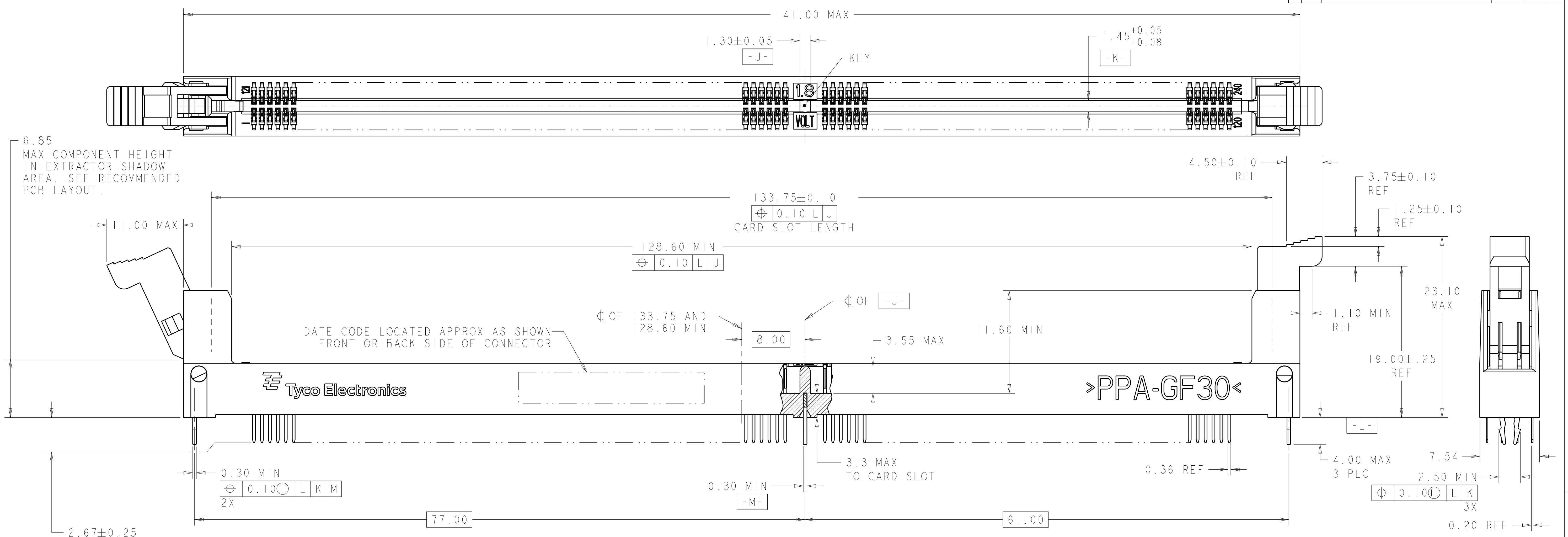
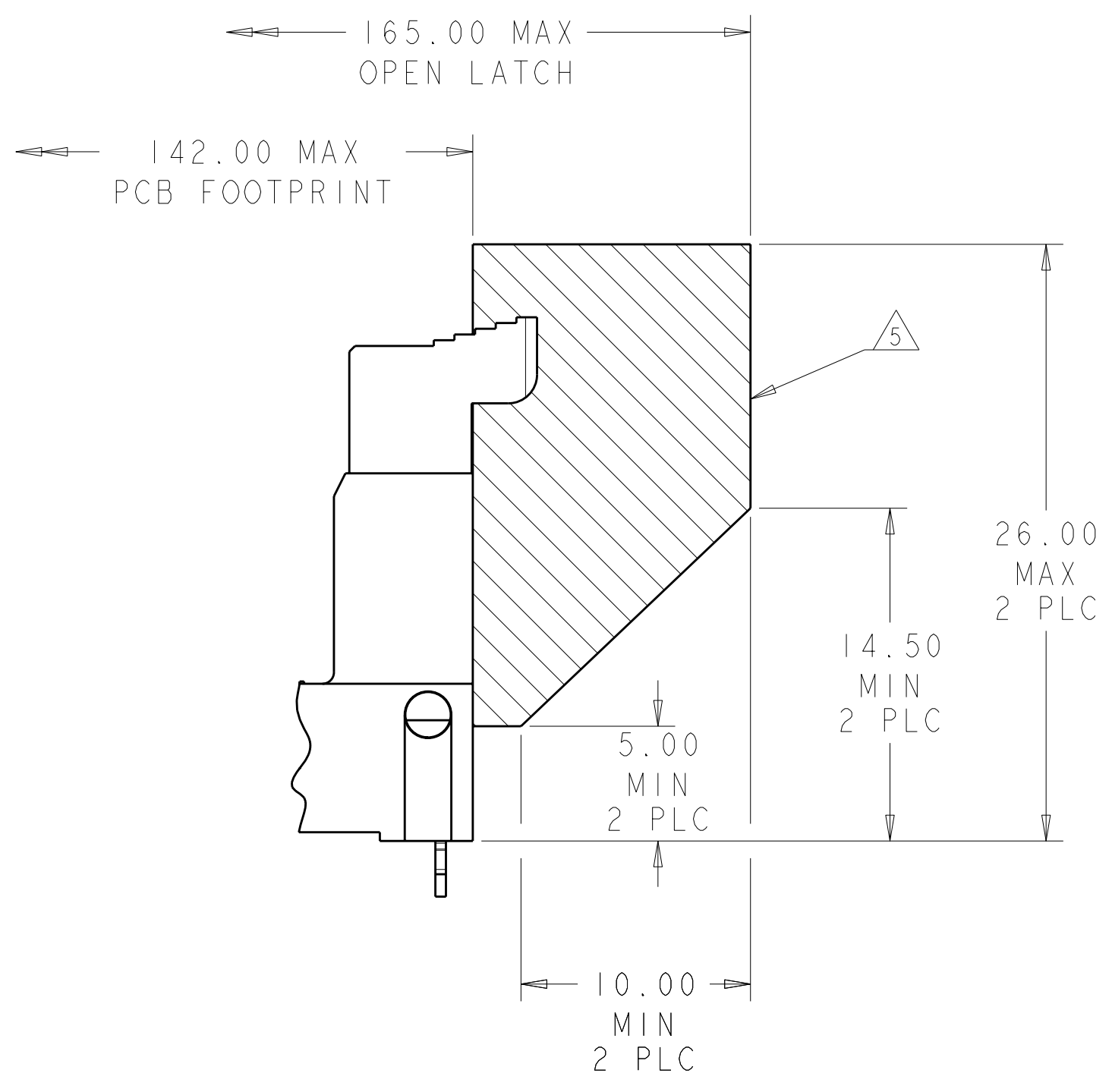


LOC	DIST	REV	DATE	BY	CHK	APPD
GP	00	A	20SEP2005	DRR	MY	
		B	06DEC2005	DRR	LZ	
		B2	12JUL10	D.S.	S.Y.	
		B3	27JUN2011	D.P.	C.W.	



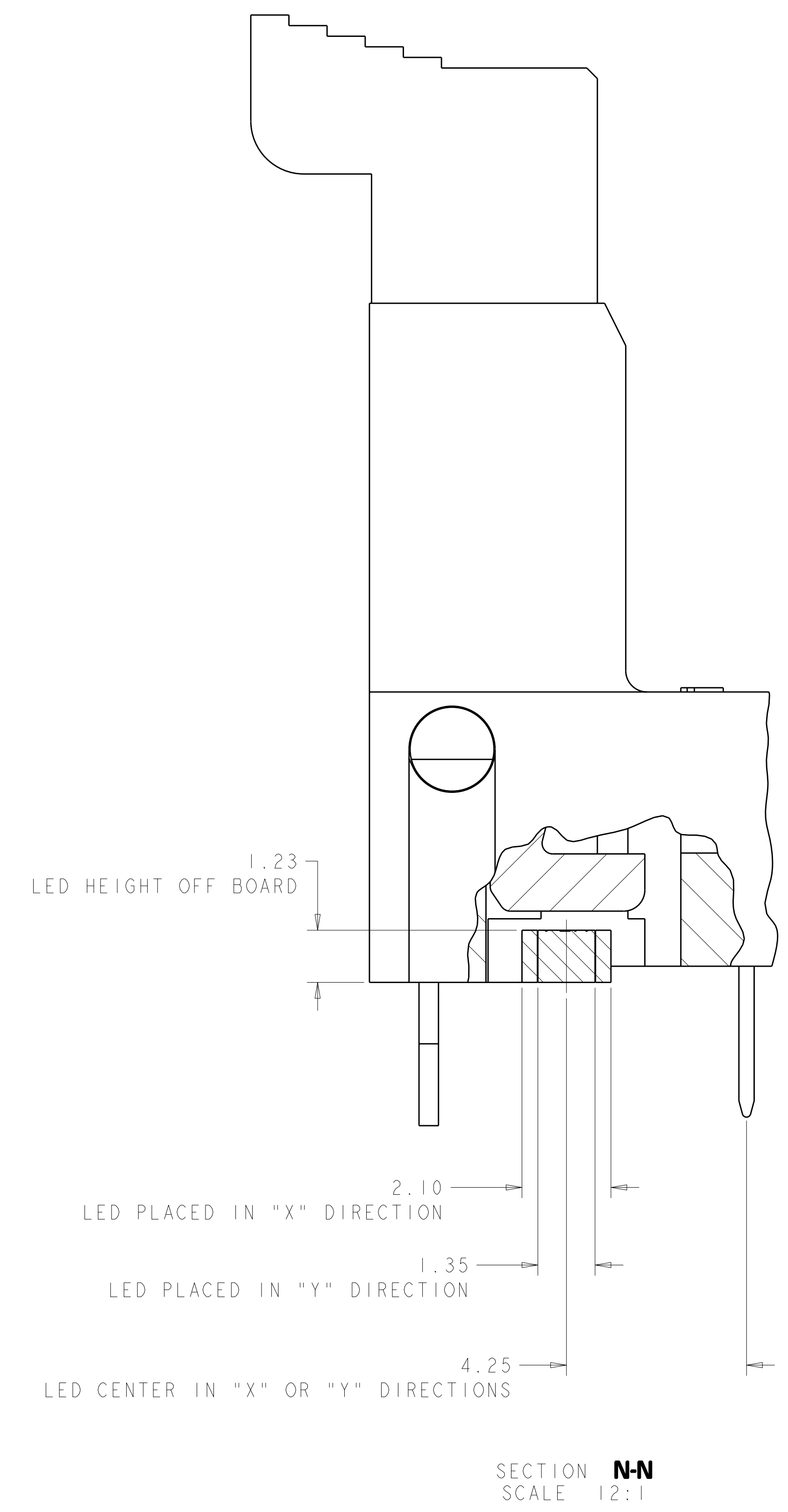
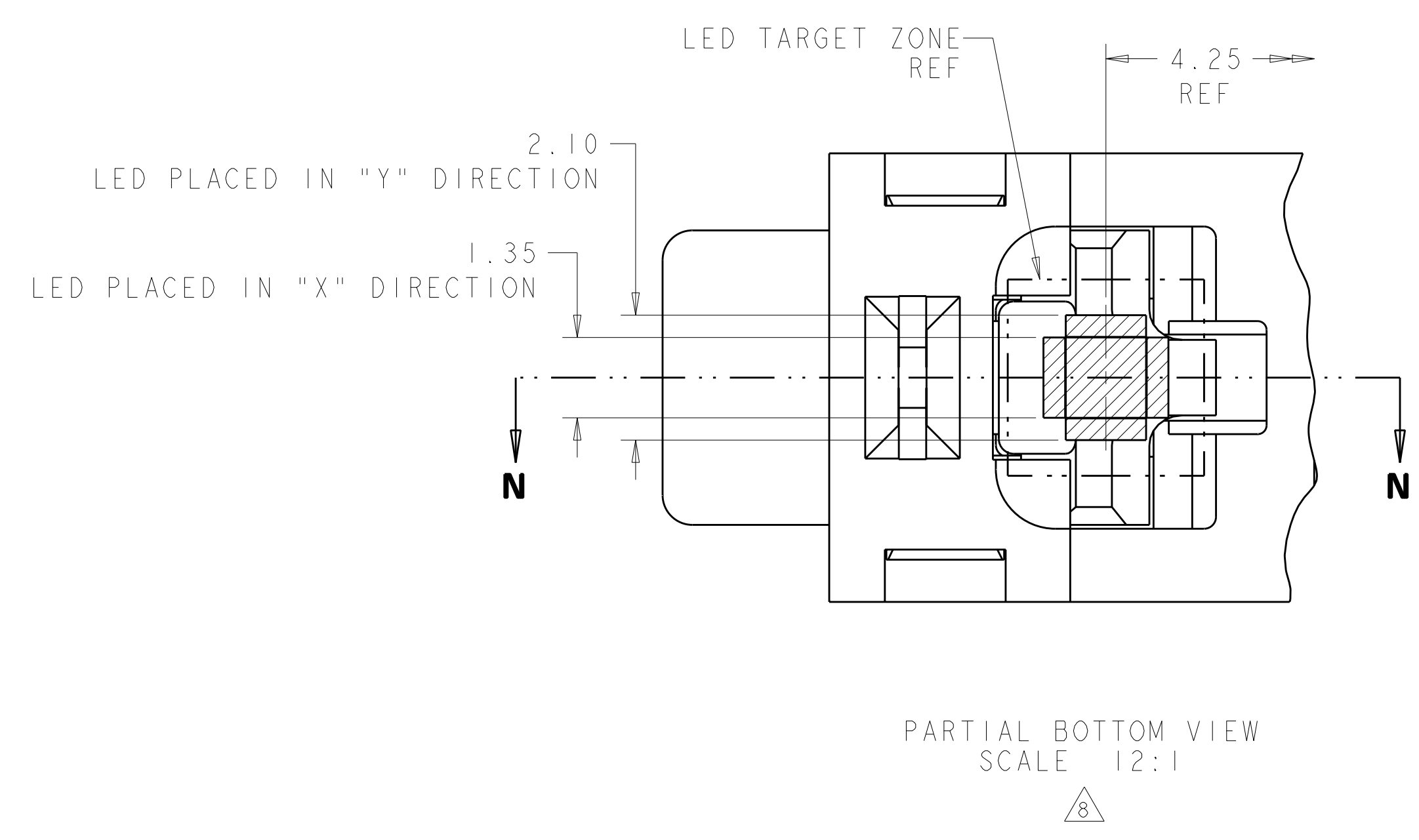
- MATERIALS:**
 HOUSING: HIGH TEMPERATURE NYLON, BLACK, UL94 V-0
 EXTRACTOR: HIGH TEMPERATURE THERMOPLASTIC
 CONTACTS: COPPER ALLOY
 RETENTION BARB: STAINLESS STEEL
- INTERFACE FINISH:**
 (1) 0.00076 MIN THK GOLD OVER 0.00127 MIN THK NICKEL
 (2) 0.00038 MIN THK GOLD OVER 0.00127 MIN THK NICKEL
 (3) 0.00008 MIN THK GOLD OVER 0.00127 MIN THK NICKEL
- FINISHED HOLE SIZE:** 0.15 MAXIMUM ANNULAR RING.
- KEEP OUT ZONE.**
- KEEP OUT AREA RESERVED FOR SOCKET EXTRACTORS, BOTH ENDS.**
- SOLDERTAIL FINISH:**
 0.00300 MIN THK BRIGHT TIN-LEAD OVER 0.00127 MIN THK NICKEL.
- SOLDERTAIL FINISH:**
 0.00300 MIN THK MATTE TIN OVER 0.00127 MIN THK NICKEL.
- LED LOCATION AS APPLICABLE PER CUSTOMER.**
- DATUM -G- IS CONNECTOR SIDE SURFACE OF PCB.**
- OBsolete PARTS: OBsolete CIS STREAMLINING PER D.RENAUD/D.SINISI**



Color	Finish	Thickness	Length	Part Number
BLACK	△	0.00038 MIN	4.00	2-1761024-4
BLACK	△	0.00038 MIN	3.18	2-1761024-3
BLACK	△	0.00038 MIN	2.67	2-1761024-2
BLACK	△	0.00038 MIN	4.00	2-1761024-1
BLACK	△	0.00038 MIN	3.18	2-1761024-0
BLACK	△	0.00038 MIN	2.67	1-1761024-9
BLACK	△	0.00038 MIN	4.00	1-1761024-8
BLACK	△	0.00038 MIN	3.18	1-1761024-7
BLACK	△	0.00038 MIN	2.67	1-1761024-6
BLACK	△	0.00038 MIN	4.00	1-1761024-5
NATURAL	△	0.00038 MIN	3.18	1-1761024-4
NATURAL	△	0.00038 MIN	2.67	1-1761024-3
NATURAL	△	0.00038 MIN	4.00	1-1761024-2
NATURAL	△	0.00038 MIN	3.18	1-1761024-1
NATURAL	△	0.00038 MIN	2.67	1-1761024-0
NATURAL	△	0.00038 MIN	4.00	1761024-9
NATURAL	△	0.00038 MIN	3.18	1761024-8
NATURAL	△	0.00038 MIN	2.67	1761024-7
NATURAL	△	0.00038 MIN	4.00	1761024-6
NATURAL	△	0.00038 MIN	3.18	1761024-5
NATURAL	△	0.00038 MIN	2.67	1761024-4
NATURAL	△	0.00038 MIN	4.00	1761024-3
NATURAL	△	0.00038 MIN	3.18	1761024-2
NATURAL	△	0.00038 MIN	2.67	1761024-1
NATURAL	△	0.00038 MIN	4.00	1761024-0

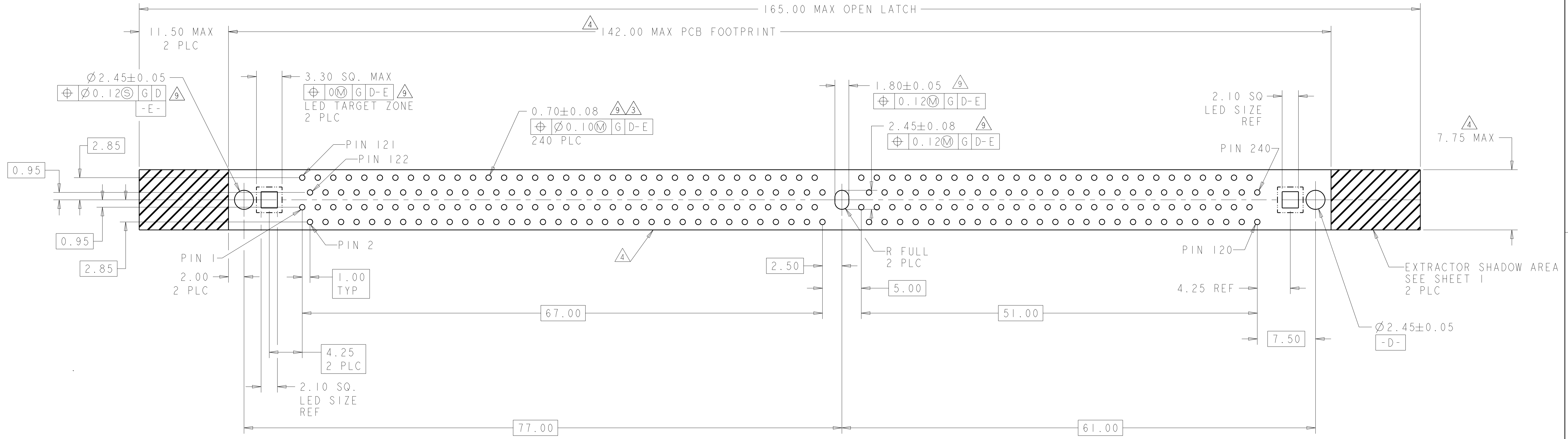
DIMENSIONS: mm TOLERANCES UNLESS OTHERWISE SPECIFIED: 9 PLC ±.5 5 PLC ±.13 4 PLC ±.013 ANGLES ±.0001		DWN: D. RINGLER 11FEB2004 CHK: M. CORRELL 18FEB2004 APPD: M. YEOMANS 20SEP2005		Tyco Electronics Harrisburg, PA 17105-3608	
MATERIAL:		PRODUCT SPEC: 108-2214 APPLICATION SPEC: 114-13154		NAME: SOCKET ASSEMBLY, VERTICAL FB DIMM, SOLDER TAIL, 240 POSITION SIZE: CAGE CODE DRAWING NO: 00779 WEIGHT:	
FINISH:		CUSTOMER DRAWING		SCALE: 4:1 SHEET 1 OF 3 REV: B3	

LOC	DIST	REVISIONS			
P	LTB	DESCRIPTION	DATE	DWN	APVD
-	-	SEE SHEET 1	-	-	-

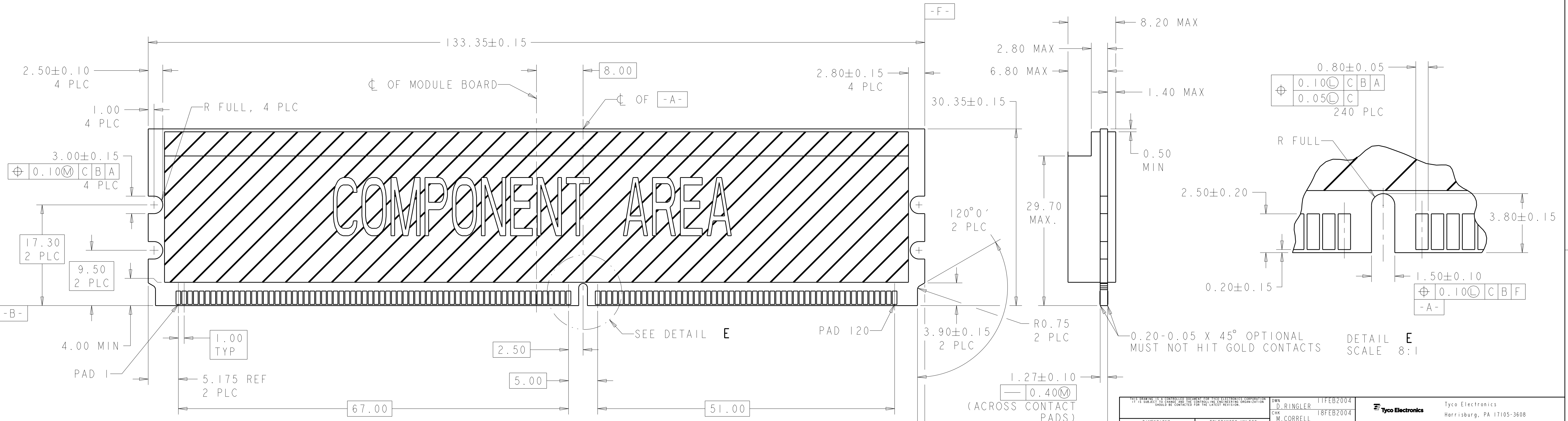


<small>THIS DRAWING IS UNPUBLISHED. RELEASED FOR PUBLICATION 20. © COPYRIGHT 20 BY TYCO ELECTRONICS CORPORATION. ALL RIGHTS RESERVED.</small>		DWN D. RINGLER 11FEB2004 CHK M. CORRELL 18FEB2004 APVD M. YEOMANS 20SEP2005	Tyco Electronics Harrisburg, PA 17105-3608
DIMENSIONS: mm 	TOLERANCES UNLESS OTHERWISE SPECIFIED: 9 PLC ±.5 2 PLC ±0.13 5 PLC ±0.013 4 PLC ±0.001 ANGLES ±.	NAME SOCKET ASSEMBLY, VERTICAL FB DIMM, SOLDER TAIL, 240 POSITION PRODUCT SPEC 108-2214 APPLICATION SPEC 114-13154 WEIGHT - FINISH -	SIZE CAGE CODE DRAWING NO A11 00779 C-1761024 RESTRICTED TO - SCALE 4:1 SHEET 2 OF 3 REV B3 CUSTOMER DRAWING

LOC		DIST		REVISIONS			
GP	00	P	LTG	DESCRIPTION	DATE	DWN	APVD
				SEE SHEET 1			



RECOMMENDED PCB LAYOUT
 VIEWED FROM CONNECTOR SIDE



RECOMMENDED MODULE LAYOUT
 SCALE 3:1

<small>THIS DRAWING IS UNPUBLISHED. RELEASED FOR PUBLICATION BY TYCO ELECTRONICS CORPORATION, ALL RIGHTS RESERVED.</small>		DWN: D. RINGLER 11FEB2004 CHK: M. CORRELL 18FEB2004 APVD: M. YEOMANS 20SEP2005	Tyco Electronics Harrisburg, PA 17105-3608
DIMENSIONS: mm	TOLERANCES UNLESS OTHERWISE SPECIFIED: 9 PLC ±0.5 1 PLC ±0.13 5 PLC ±0.13 4 PLC ±0.001 ANGLES ±0.001	NAME: SOCKET ASSEMBLY, VERTICAL FB DIMM, SOLDER TAIL, 240 POSITION PRODUCT SPEC: 108-2214 APPLICATION SPEC: 114-13154	SIZE: A1 CAGE CODE: 00779 DRAWING NO: 1761024 RESTRICTED TO: REV B3
MATERIAL:	FINISH:	WEIGHT:	CUSTOMER DRAWING
		SCALE: 1:1	SHEET 3 OF 3

X-ON Electronics

Largest Supplier of Electrical and Electronic Components

Click to view similar products for [DIMM Connectors](#) category:

Click to view products by [TE Connectivity](#) manufacturer:

Other Similar products are found below :

[1-1932649-2](#) [1-1761024-0](#) [296409204002856+](#) [1932180-2](#) [10086891-052TSLF](#) [59355-052FSLF](#) [5390471-1](#) [2309413-3](#) [10033853-052ASLF](#)
[87782-6003](#) [KIT-SODIMM-1X16GB/01](#) [10129206-0010013LF](#) [2309409-2](#) [0780350001](#) [0780350301](#) [0783150011](#) [0878030012](#)
[75.963AT.G020C](#) [78.B1GDE.AF1](#) [10078239-11103LF](#) [6-390322-1](#) [2013311-1](#) [2309410-1](#) [10116658-152FSLF](#) [1-1735438-3](#) [1-1735413-1](#)
[78730-1002](#) [78726-1002](#) [2013310-1](#) [390111-1](#) [1735438-3](#) [78373-0011](#) [2308107-1](#) [2-2308107-1](#) [2309411-1](#) [5-1746530-4](#) [2309408-1](#)
[2309409-1](#) [151134-0001](#) [296406200001856+](#) [2309407-1](#) [FCN-074J240-G/1D](#) [FCN-074B288-G/2D](#) [2309414-1](#) [10081530-12208LF](#) [151080-](#)
[0001](#) [78321-0001](#) [78726-1004](#) [87705-1053](#) [19320](#)