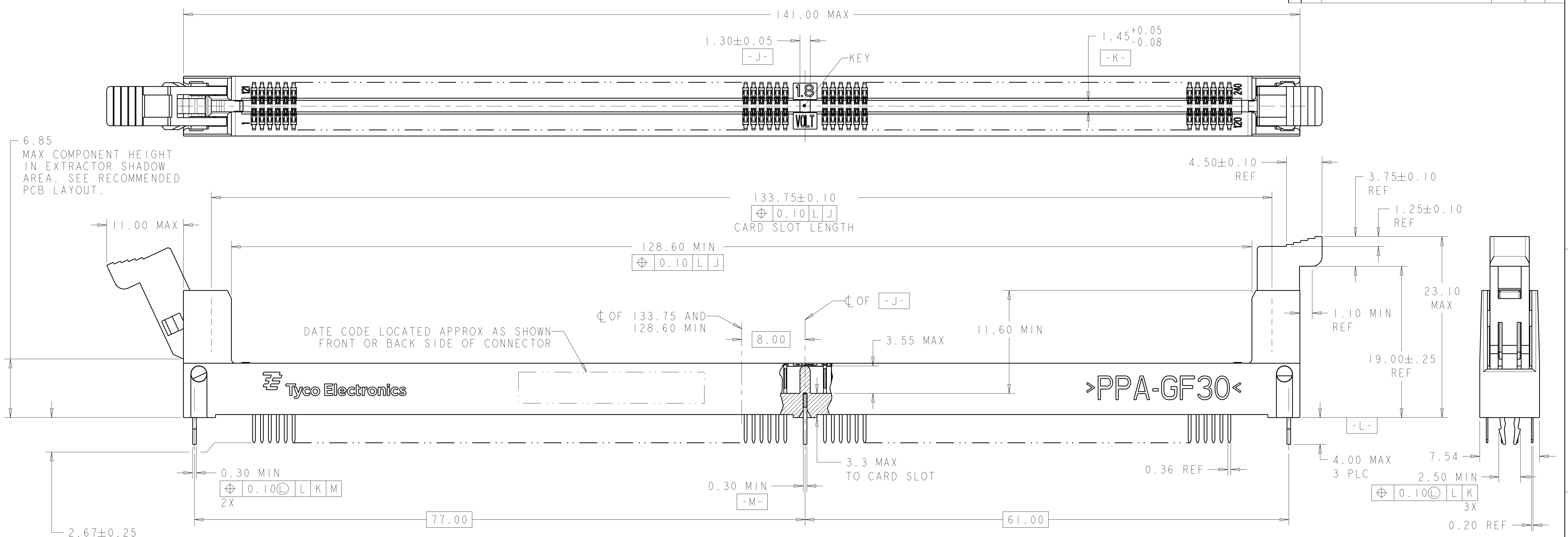
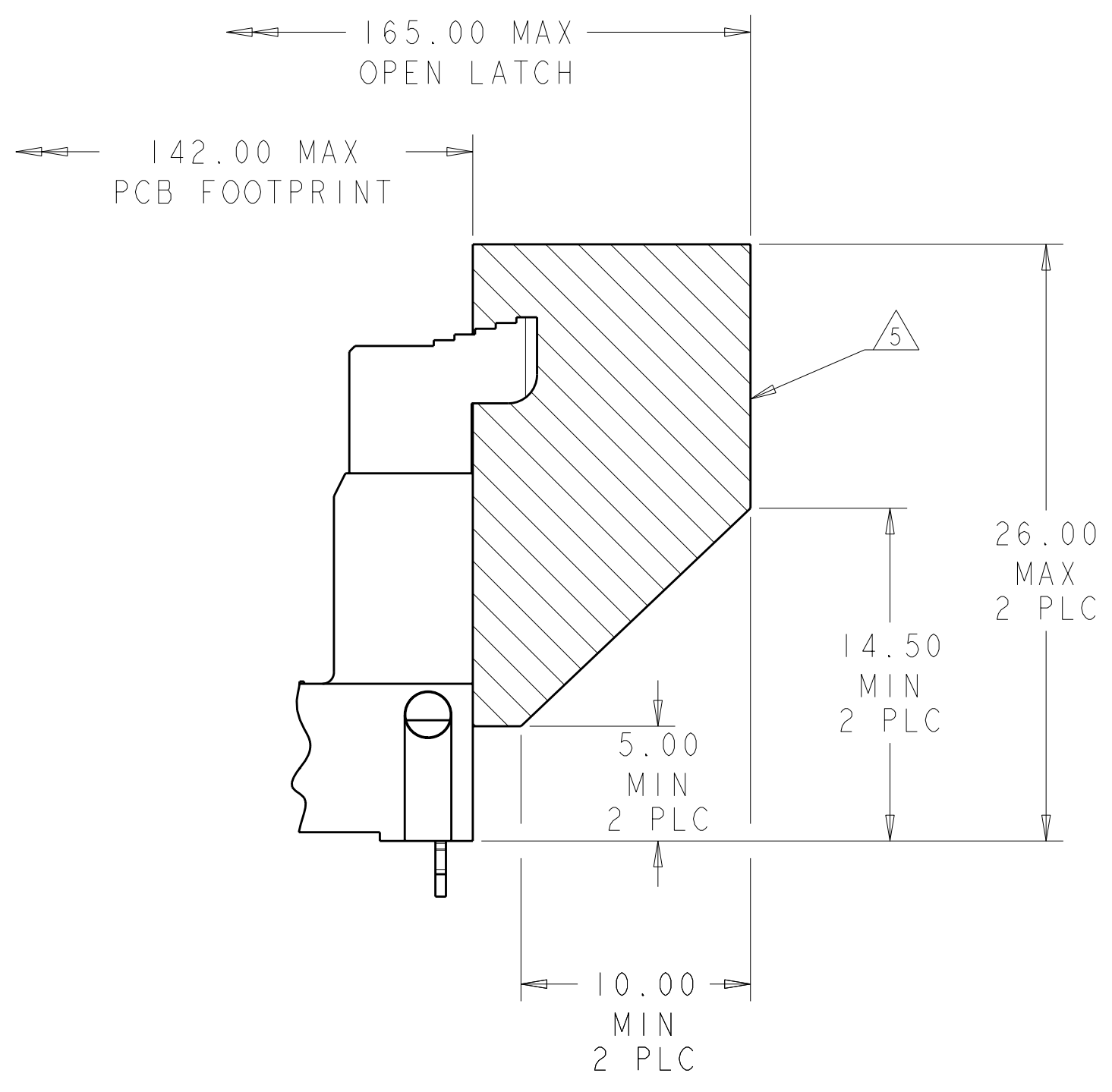


LOC	DIST	REV	DATE	BY	APPD
GP	00	A	20SEP2005	DRR	MY
		B	06DEC2005	DRR	LZ
		B2	12JUL10	D.S.	S.Y
		B3	27JUN2011	D.P.	C.W



- 2.67±0.25 FOR 1.60 (.063") THK PCB
- 3.18±0.25 FOR 2.36 (.093") THK PCB
- 4.00±0.25 FOR 3.18 (.125") THK PCB

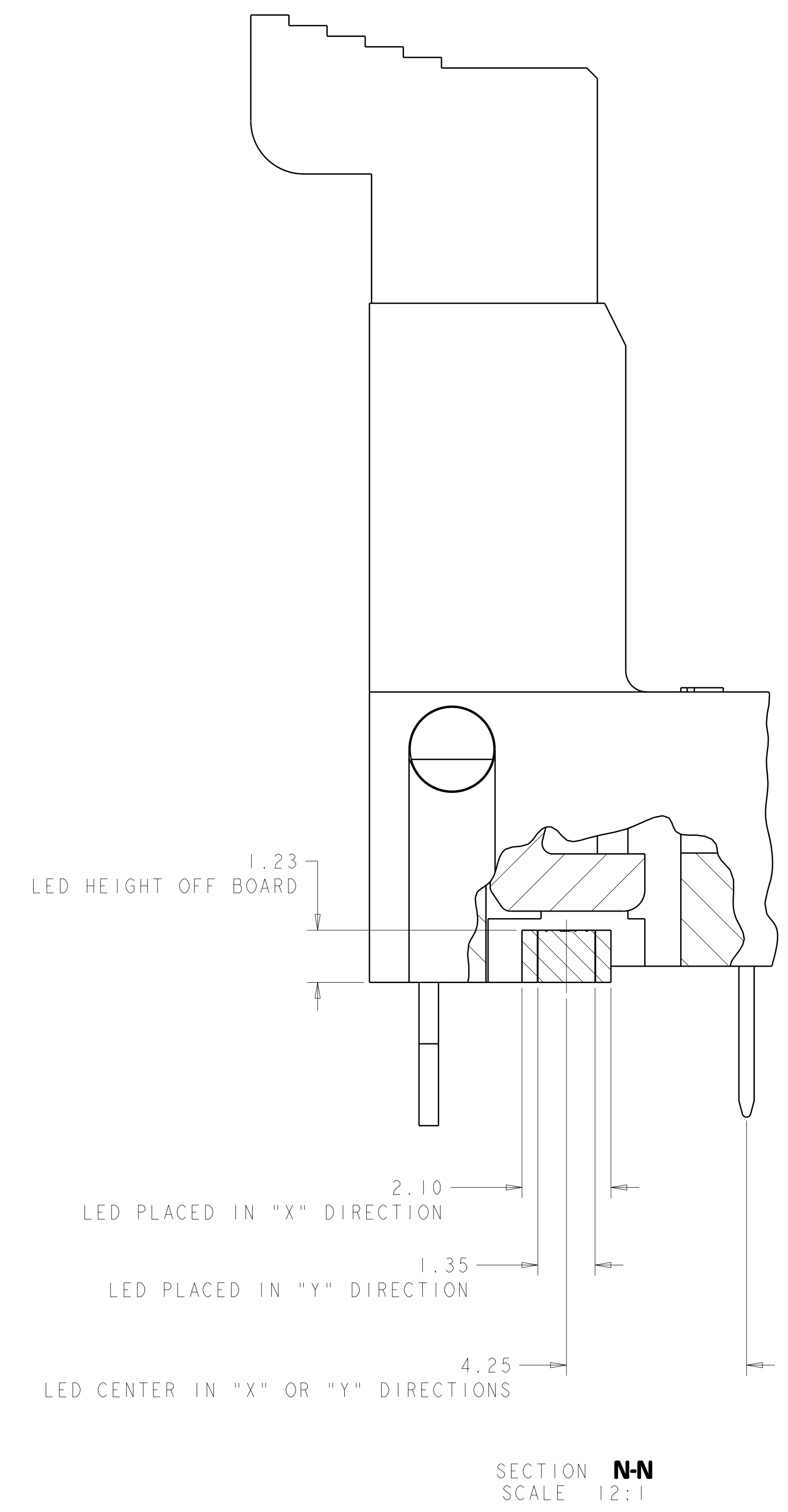
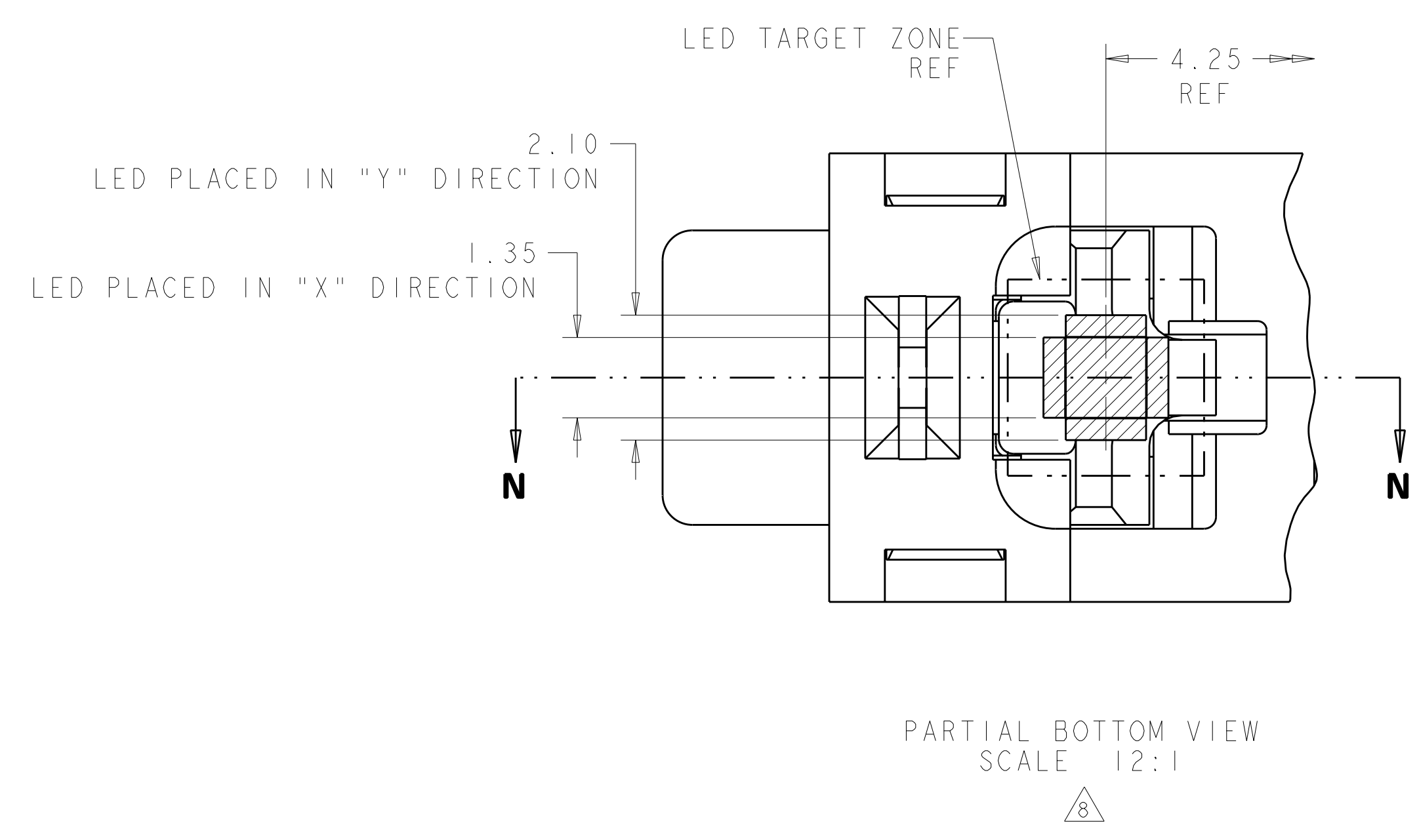


- MATERIALS:**
 HOUSING: HIGH TEMPERATURE NYLON, BLACK, UL94 V-0
 EXTRACTOR: HIGH TEMPERATURE THERMOPLASTIC
 CONTACTS: COPPER ALLOY
 RETENTION BARB: STAINLESS STEEL
- INTERFACE FINISH:**
 (1) 0.00076 MIN THK GOLD OVER 0.00127 MIN THK NICKEL
 (2) 0.00038 MIN THK GOLD OVER 0.00127 MIN THK NICKEL
 (3) 0.00008 MIN THK GOLD OVER 0.00127 MIN THK NICKEL
- FINISHED HOLE SIZE:** 0.15 MAXIMUM ANNULAR RING.
- KEEP OUT ZONE.**
- KEEP OUT AREA RESERVED FOR SOCKET EXTRACTORS, BOTH ENDS.**
- SOLDERTAIL FINISH:**
 0.00300 MIN THK BRIGHT TIN-LEAD OVER 0.00127 MIN THK NICKEL.
- SOLDERTAIL FINISH:**
 0.00300 MIN THK MATTE TIN OVER 0.00127 MIN THK NICKEL.
- LED LOCATION AS APPLICABLE PER CUSTOMER.**
- DATUM -G- IS CONNECTOR SIDE SURFACE OF PCB.**
- OBsolete PARTS: OBsolete CIS STREAMLINING PER D.RENAUD/D.SINISI**

	BLACK	△	0.00038 MIN	4.00	△ 2-1761024-4
				3.18	2-1761024-3
				2.67	△ 2-1761024-2
	BLACK	△	0.00076 MIN	4.00	△ 2-1761024-1
				3.18	△ 2-1761024-0
				2.67	△ 1-1761024-9
				4.00	1-1761024-8
				3.18	1-1761024-7
				2.67	1-1761024-6
				4.00	1-1761024-5
				3.18	△ 1-1761024-4
				2.67	1-1761024-3
	OBsolete	△	0.00038 MIN	4.00	1-1761024-2
				3.18	1-1761024-1
				2.67	1-1761024-0
				4.00	1-1761024-9
				3.18	1761024-8
				2.67	1761024-7
				4.00	1761024-6
				3.18	1761024-5
				2.67	1761024-4
				4.00	1761024-3
				3.18	1761024-2
				2.67	1761024-1
				4.00	1761024-0

DIMENSIONS: mm		TOLERANCES UNLESS OTHERWISE SPECIFIED:		DWN: D. RINGLER 11FEB2004		Tyco Electronics Harrisburg, PA 17105-3608	
9 PLC	±.5	9 PLC	±.13	CHK: M. CORRELL 18FEB2004	NAME: SOCKET ASSEMBLY, VERTICAL FB DIMM, SOLDER TAIL, 240 POSITION		
5 PLC	±.13	5 PLC	±.013	APPD: M. YEOMANS 20SEP2005	PRODUCT SPEC: 108-2214		
4 PLC	±.001	4 PLC	±.001	APPLICATION SPEC: 114-13154			
MATERIAL: △		FINISH: △		WEIGHT: -		SIZE: CAGE CODE: DRAWING NO: RESTRICTED TO	
CUSTOMER DRAWING				SCALE: 4:1		SHEET 1 OF 3 REV: B3	

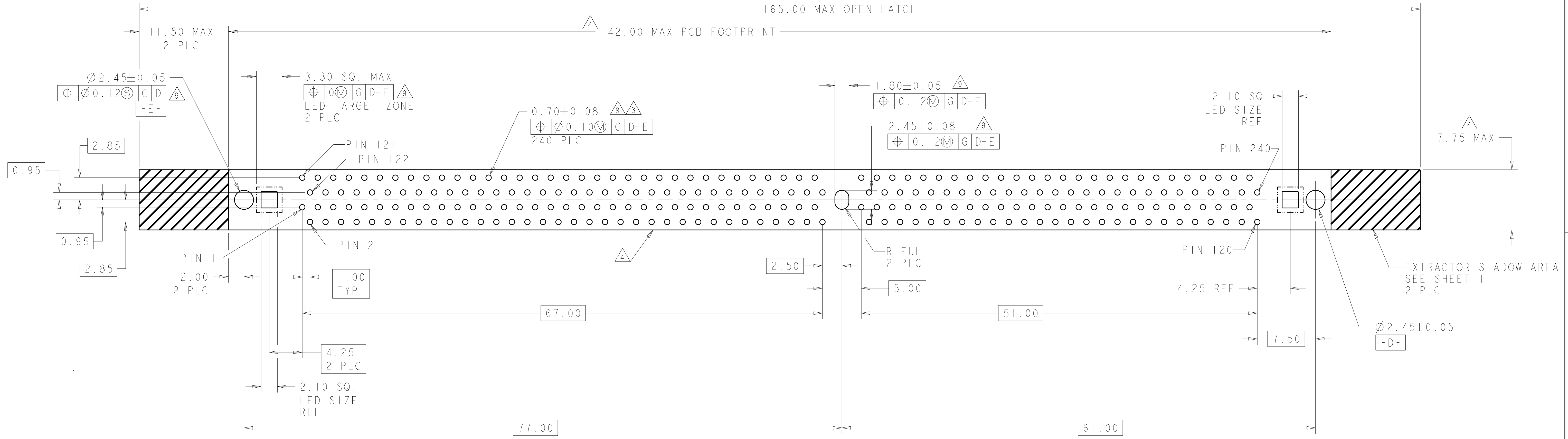
LOC	DIST	REVISIONS			
P	LTB	DESCRIPTION	DATE	DWN	APVD
-	-	SEE SHEET 1	-	-	-



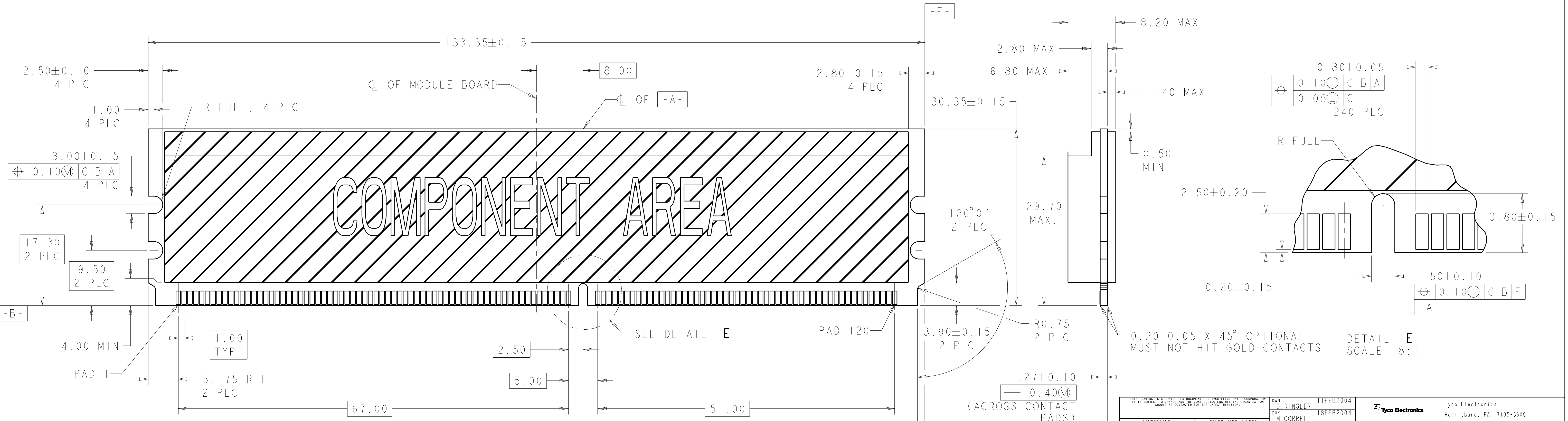
<small>THIS DRAWING IS UNPUBLISHED. RELEASED FOR PUBLICATION 20. © COPYRIGHT 20 BY TYCO ELECTRONICS CORPORATION. ALL RIGHTS RESERVED.</small>		DWN D. RINGLER 11FEB2004 CHK M. CORRELL 18FEB2004 APVD M. YEOMANS 20SEP2005	Tyco Electronics Harrisburg, PA 17105-3608
DIMENSIONS: mm 	TOLERANCES UNLESS OTHERWISE SPECIFIED: 0 PLC ± 1 PLC ±0.5 2 PLC ±0.13 3 PLC ±0.013 4 PLC ±0.001 ANGLES ±	NAME SOCKET ASSEMBLY, VERTICAL FB DIMM, SOLDER TAIL, 240 POSITION	RESTRICTED TO
MATERIAL	FINISH	PRODUCT SPEC 108-2214 APPLICATION SPEC 114-13154	SIZE CAGE CODE DRAWING NO A11 00779 C-1761024
CUSTOMER DRAWING		WEIGHT	SCALE 4:1 SHEET 2 OF 3 REV B3

LOC	DIST	REV	DATE	BY	APPD
GP	00				

REVISIONS		DATE	BY	APPD
1	SEE SHEET 1			



RECOMMENDED PCB LAYOUT
 VIEWED FROM CONNECTOR SIDE



RECOMMENDED MODULE LAYOUT
 SCALE 3:1

DIMENSIONS: mm		TOLERANCES UNLESS OTHERWISE SPECIFIED: 9 PLC ±0.5 1 PLC ±0.13 5 PLC ±0.13 4 PLC ±0.001 ANGLES ±0.001		DWN: D. RINGLER 11FEB2004 CHK: M. CORRELL 18FEB2004 APVD: M. YEOMANS 20SEP2005 NAME: SOCKET ASSEMBLY, VERTICAL FB DIMM, SOLDER TAIL, 240 POSITION	
MATERIAL:		FINISH:		Tyco Electronics Harrisburg, PA 17105-3608	
CUSTOMER DRAWING		WEIGHT:		SIZE: A11 CAGE CODE: 00779 DRAWING NO: 108-2214 APPLICATION SPEC: 114-13154 SCALE: 1:1	
				SHEET 3 OF 3 REV B3	

X-ON Electronics

Largest Supplier of Electrical and Electronic Components

Click to view similar products for [DIMM Connectors](#) category:

Click to view products by [TE Connectivity](#) manufacturer:

Other Similar products are found below :

[1-1932649-2](#) [1-1761024-0](#) [2309411-5](#) [296409204002856+](#) [1932180-2](#) [0783590111](#) [0783590001](#) [0877051053](#) [10079248-11103LF](#)
[10086891-052TSLF](#) [10116658-252ASLF](#) [59355-052FSLF](#) [5390471-1](#) [10074146-13211LF](#) [10079248-10202LF](#) [2309407-3](#) [2309413-3](#)
[10033853-052ASLF](#) [87782-6003](#) [10033854-052ASLF](#) [KIT-SODIMM-1X16GB/01](#) [10129206-0010013LF](#) [2309409-2](#) [0780350001](#)
[0780350301](#) [0783150011](#) [0878030012](#) [75.963AT.G020C](#) [78.B1GDE.AF1](#) [10078239-11103LF](#) [6-390322-1](#) [2013311-1](#) [2309410-1](#)
[10116658-052FSLF](#) [10116658-152FSLF](#) [1-1735438-3](#) [1-1735413-1](#) [78730-1002](#) [78726-1002](#) [2013310-1](#) [390111-1](#) [1735438-3](#) [78373-0011](#)
[2308107-1](#) [2-2308107-1](#) [2309411-1](#) [2309408-1](#) [2309409-1](#) [2309412-1](#) [151134-0001](#)