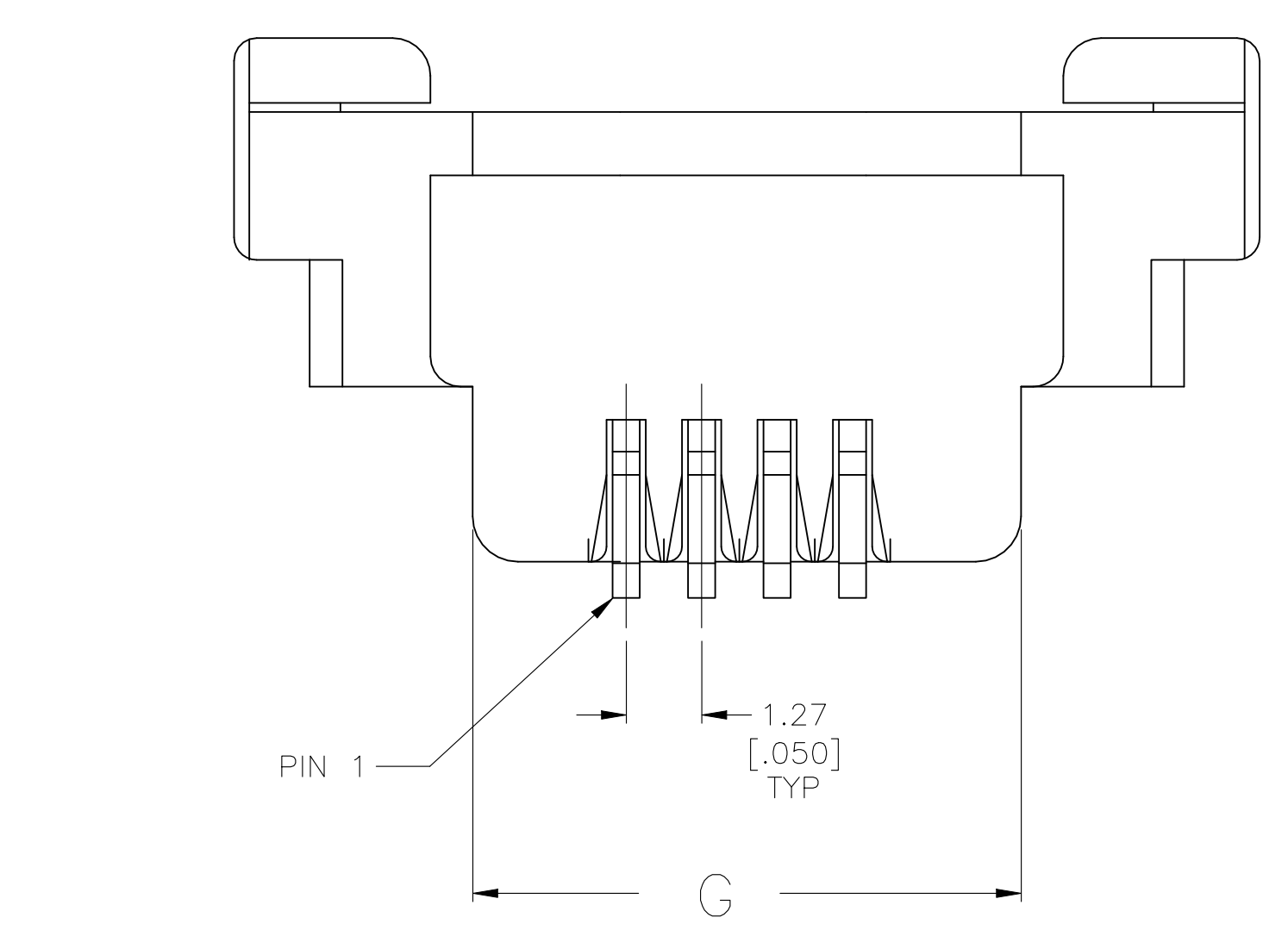
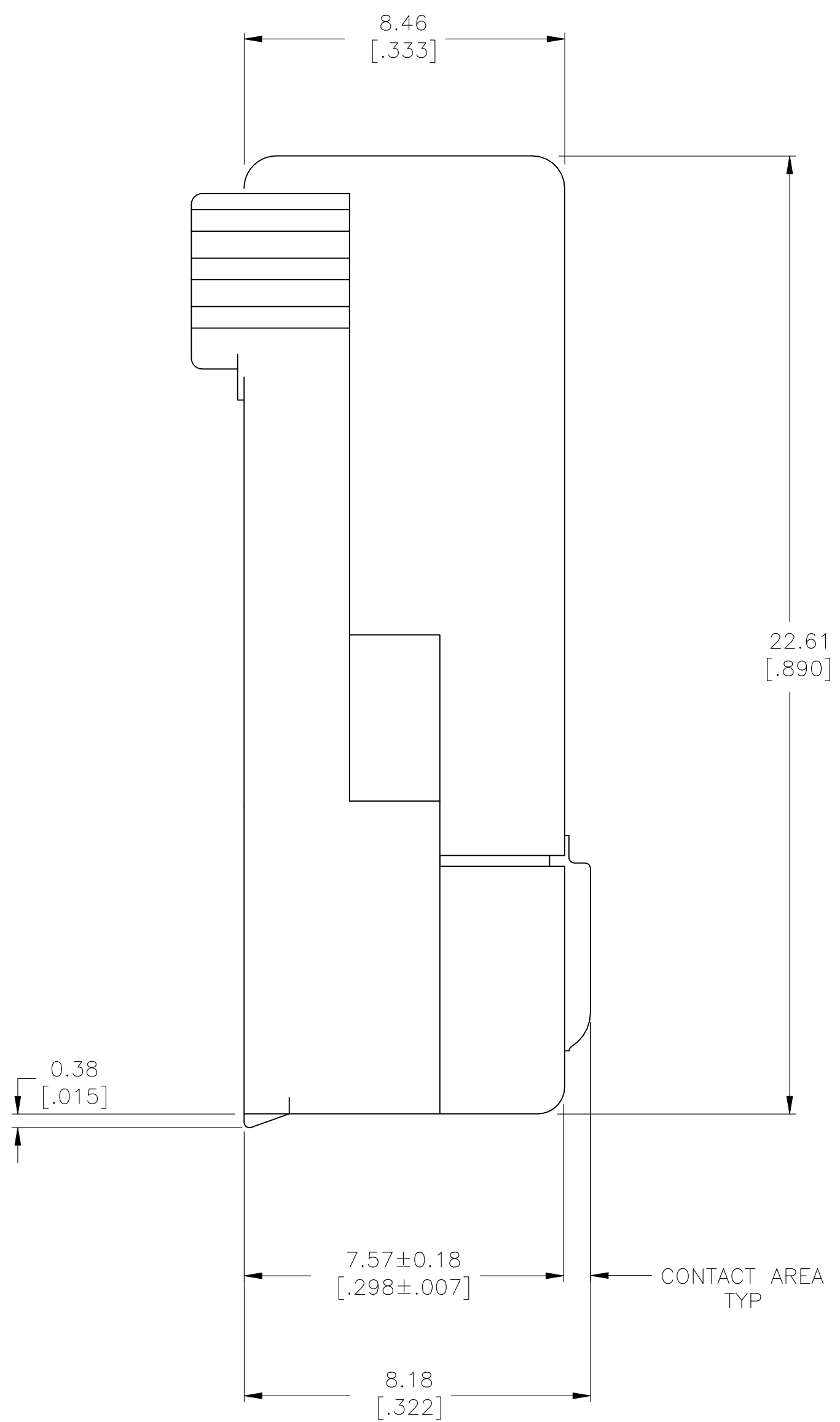
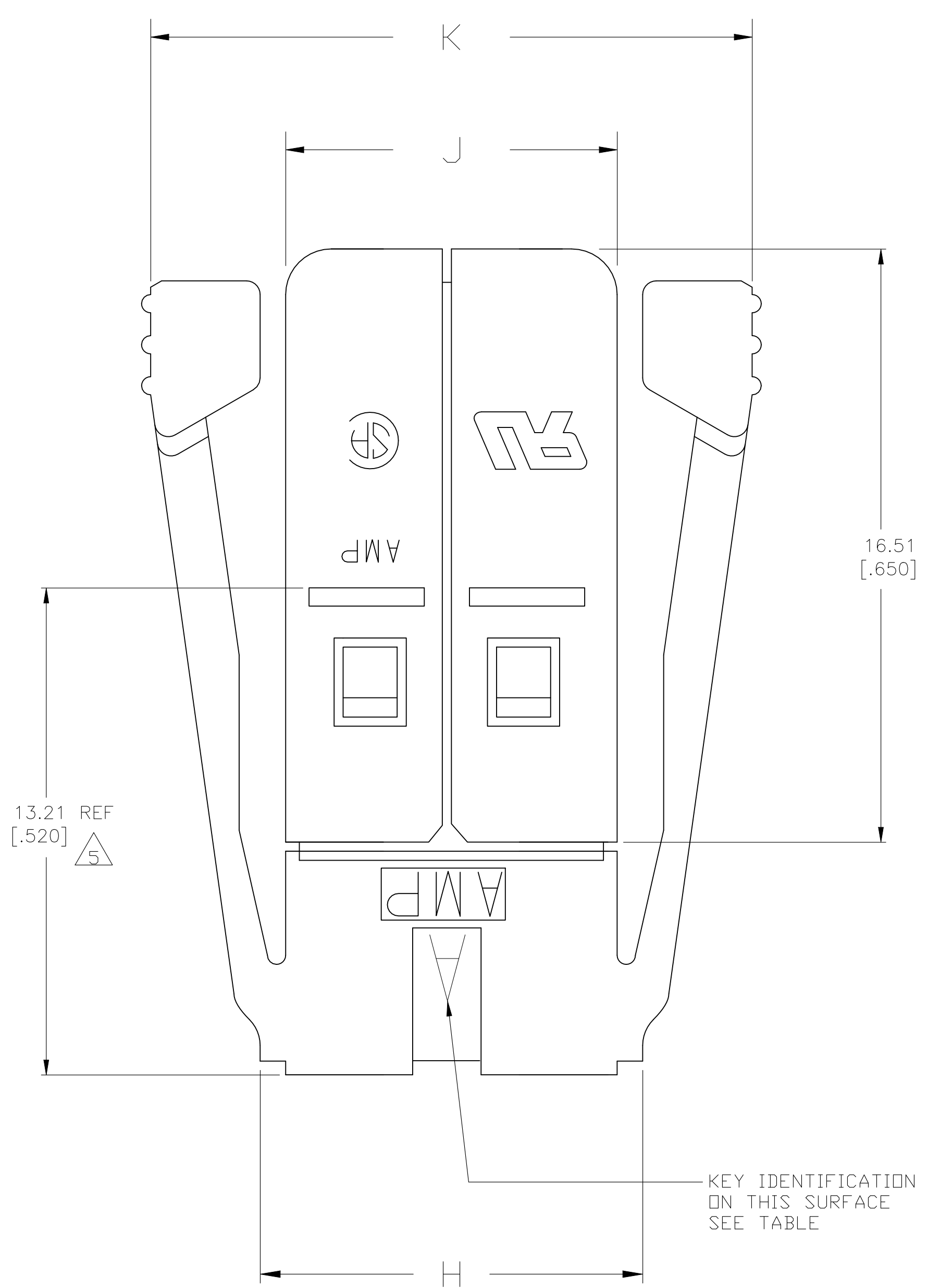


REVISIONS				
REV	DESCRIPTION	DATE	BY	APP'D
B1	ECC-21-001948	15FEB2021	RR	SZ



1. PREFIX AND SUFFIX NUMBERS MUST MATCH THOSE ON RECEPTACLE FOR PARTS TO MATE.
- 2 MATERIAL:
 - HOUSING- POLYCARBONATE
 - CONTACT- COPPER ALLOY
 - SHIELD- BRASS
- 3 FINISH:
 - HOUSING- SMOKE GRAY
 - CONTACT- 0.00127[.000050] MIN NICKEL OVER ENTIRE PART, 0.00002[.000001] GOLD FLASH OVER ENTIRE PART, 0.00127[.000050] MIN GOLD OVER CONTACT AREA.
 - SHIELD: 0.00076[.000030] BRIGHT TIN OVER 0.00127[.000050] MIN NICKEL.
- 4 CABLES SHOULD MEET AMP DRAWING SPECIFICATIONS 520471-1.
- 5 INSERTION DEPTH INTO RECEPTACLE.
6. BULK CABLE ARE NOT AVAILABLE FROM AMP INC.
- 7 CABLES SHOULD MEET AMP DRAWING SPECIFICATIONS 520475-1.
- 8 CABLES SHOULD MEET AMP DRAWING SPECIFICATIONS 520477-1.
- 9 CABLES SHOULD MEET AMP DRAWING SPECIFICATIONS 520473-1.
10. FOR TERMINATION OF 24 AWG, 7 STRANDED, FLAT RIBBON CABLE WITH 1.27[.050] NOMINAL O.D. CONDUCTOR INSULATION PER LISTED DRAWING SPECIFICATIONS.
- 11 OBSOLETE PARTS: OBSOLETE CIS STREAMLINING PER D.RENAUD/D.SINISI

	32.11 [1.264]	24.76 [.975]	25.70 [1.012]	24.59 [.968]	16	E	8	5-1761184-6
	21.95 [.864]	14.60 [.575]	15.54 [.612]	14.43 [.568]	8	E	7	5-1761184-3
OBSOLETE	19.40 [.764]	12.06 [.475]	13.00 [.512]	11.89 [.468]	6	E	9	5-1761184-2
	16.87 [.664]	9.52 [.375]	10.46 [.412]	9.35 [.368]	4	E	4	5-1761184-1
	16.87 [.664]	9.52 [.375]	10.46 [.412]	9.35 [.368]	4	D	4	4-1761184-1
OBSOLETE	21.95 [.864]	14.60 [.575]	15.54 [.612]	14.43 [.568]	8	C	7	3-1761184-3
11 OBSOLETE	19.40 [.764]	12.06 [.475]	13.00 [.512]	11.89 [.468]	6	C	9	3-1761184-2
	16.87 [.664]	9.52 [.375]	10.46 [.412]	9.35 [.368]	4	C	4	3-1761184-1
OBSOLETE	16.87 [.664]	9.52 [.375]	10.46 [.412]	9.35 [.368]	4	B	4	2-1761184-1
OBSOLETE	32.11 [1.264]	24.76 [.975]	25.70 [1.012]	24.59 [.968]	16	A	8	1-1761184-6
	21.95 [.864]	14.60 [.575]	15.54 [.612]	14.43 [.568]	8	A	7	1-1761184-3
OBSOLETE	19.40 [.764]	12.06 [.475]	13.00 [.512]	11.89 [.468]	6	A	9	1-1761184-2
	16.87 [.664]	9.52 [.375]	10.46 [.412]	9.35 [.368]	4	A	4	1-1761184-1
	K	J	H	G	NO OF POSN	KEY I.D. LETTER	PART NO	

THIS DRAWING IS A CONTROLLED DOCUMENT.

DIN B MCMASITER 21APR04
C ROHDE 21APR04

APPROVED M. WALMSLEY 21APR04 NAME PLUG ASSY, FLAT CABLE, 50 SERIES, SDL

PRODUCT SPEC 108-2047

APPLICATION SPEC 114-2086

SIZE CAGE CODE DRAWING NO RESTRICTED TO
A1 00779 C=1761184

MATERIAL 2 FINISH 3 WEIGHT 0.000000 CUSTOMER DRAWING SCALE 5:1 SHEET 1 OF 1 REV B1

X-ON Electronics

Largest Supplier of Electrical and Electronic Components

Click to view similar products for [Modular Connectors / Ethernet Connectors](#) category:

Click to view products by [TE Connectivity](#) manufacturer:

Other Similar products are found below :

[8949-H88/06BLKA/SN](#) [74441-0010/BKN](#) [MP1010RX-1000](#) [MP44RX-1000](#) [PHJ-4P4C-1-V-4](#) [PHP-6P6C-5](#) [GAX-3-66](#) [GAX-8-62](#) [GDCX-PA-66-50](#) [GDCX-PN-64](#) [GDCX-PN-66](#) [GDCX-PN-66-50](#) [GDLX-A-66](#) [GDLX-N-66](#) [GDLX-S-66](#) [GDLX-S-88K](#) [GDLX-SMT-S-88](#) [GDTX-S-88-50](#) [GDX-PA-1010](#) [GLX-N-1010M-BLK](#) [GLX-S-88M-BLK](#) [GMX-N-1010](#) [GMX-S-1010](#) [GMX-S-66](#) [GMX-SMT4-N-88](#) [GPX-2-64](#) [GSGX-N-2-88](#) [GSGX-N-4-88](#) [GSX-NS2-88-3.05](#) [GSX-NS2-88-3.05-50](#) [GSX-NS-88-3.05-50](#) [PT-108A-8C-UL](#) [PT-J951-8C](#) [PTS-J531-8CS-50UL](#) [1-1775629-2](#) [A-2014-0-4](#) [GWLX-S-88-GR](#) [GWLX-S9-88-YG](#) [DC-1021-8-WH-6](#) [1300530003](#) [1324640-4](#) [RJ11FTVC2G](#) [RJ11FTVC2N](#) [RJFTVX2SA1G](#) [132764-001](#) [1413235](#) [MP88X-1000](#) [MPS88RX-5000](#) [E5288-S000K3-L](#) [E5908-15A242-L](#)