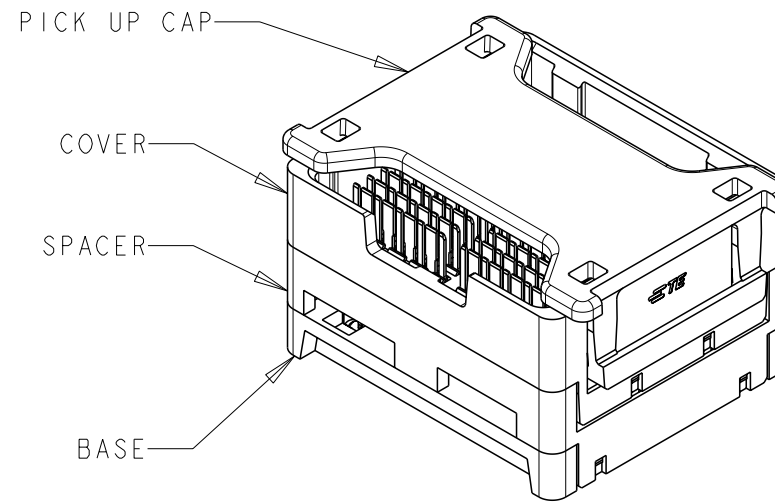
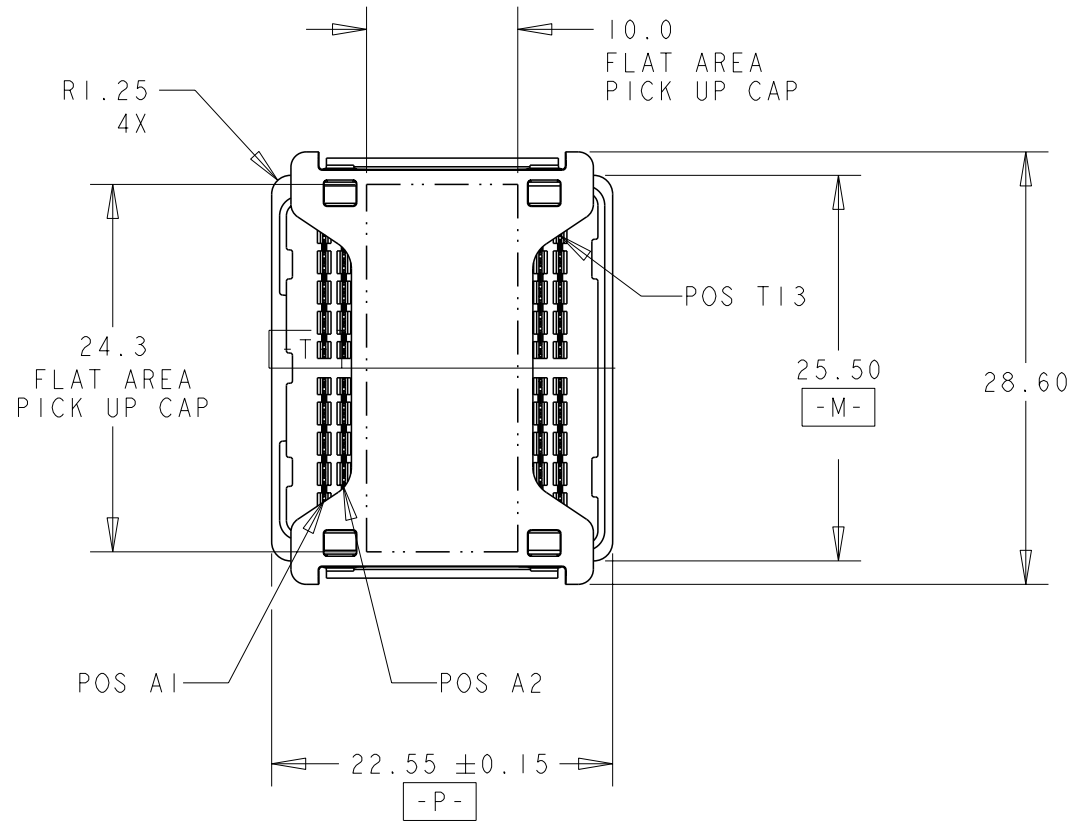


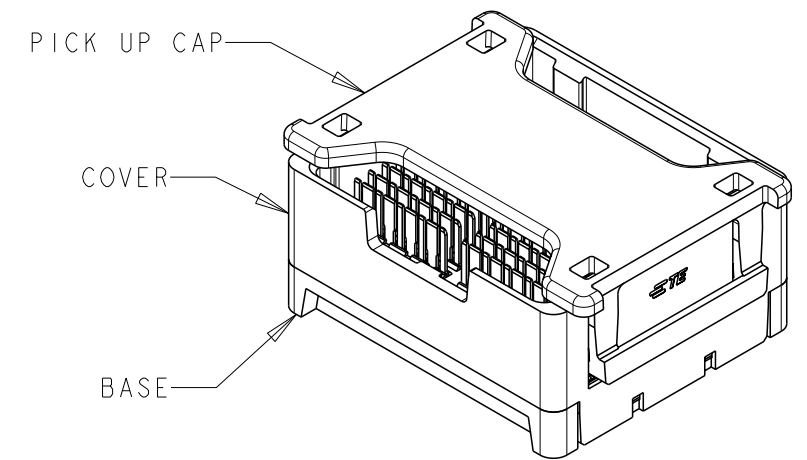
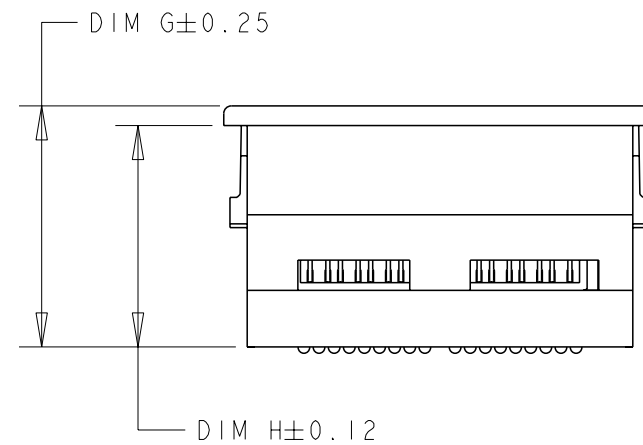
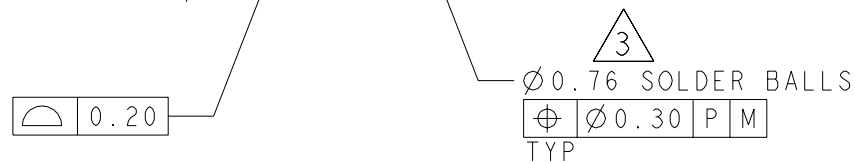
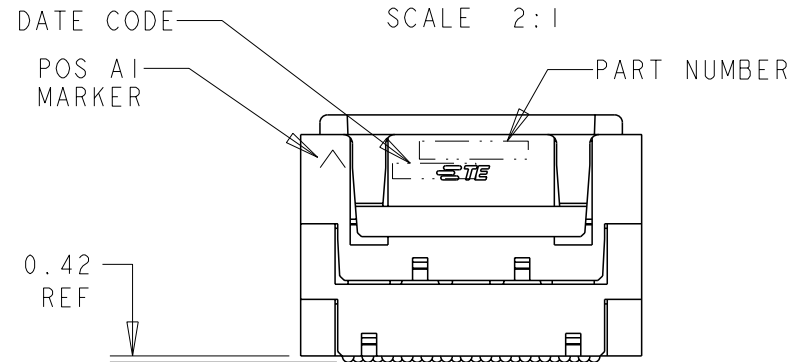
P	LTR	DESCRIPTION	DATE	DWN	APVD
	A3	REVISED PER ECO-20-017117	24APR2021	AP	RW



ISOMETRIC VIEW
TYPICAL CONFIGURATION FOR
15mm & 20mm ASSEMBLY
SCALE 2:1

TYPICAL ASSEMBLY

15mm SHOWN
SCALE 2:1



ISOMETRIC VIEW
TYPICAL CONFIGURATION FOR
10mm, 12mm & 13mm ASSEMBLY
SCALE 2:1

THIS DRAWING IS A CONTROLLED DOCUMENT.

DIMENSIONS: mm	TOLERANCES UNLESS OTHERWISE SPECIFIED:
	0 PLC ±-
	1 PLC ±0.3
	2 PLC ±0.10
	3 PLC ±0.050
	4 PLC ±-
	ANGLES ±2°
MATERIAL	FINISH

DWN	P BRANDBERG	18JAN05
CHK	D WERTZ	20JAN05
APVD	D WERTZ	20JAN05
PRODUCT SPEC	108-2143	
APPLICATION SPEC	114-13101	
WEIGHT	-	
CUSTOMER DRAWING		

TE Connectivity		NAME	
		STEP-Z, PLUG ASSEMBLY, 104 SIGNAL POSITION	
SIZE	CAGE CODE	DRAWING NO	RESTRICTED TO
A3	00779	C-1761612	
SCALE 5:2		SHEET 1 OF 3	REV A3

printed on 24 Apr 2021 19:24 from FRO19828

REVISIONS

P	LTR	DESCRIPTION	DATE	DWN	APVD
	-	SEE SHEET 1	-	-	-

1 MATERIAL:
 BASE, SPACER, COVER: THERMOPLASTIC
 PICK UP CAP: THERMOPLASTIC
 CONTACT: COPPER ALLOY
 SOLDER BALL: Sn/Pb FOR P/N 1761614-1 THRU 5-1761614-0
 Sn/Ag FOR P/N 5-1761614-1 THRU 9-1761614-9

2 FINISH:
 CONTACT: 0.00076 MIN GOLD OVER 0.00127 MIN NICKEL.
 (30µ" MIN GOLD OVER 50µ" MIN NICKEL)


3 SOLDER BALLS WILL NOT BE PERFECT
 SPHERICAL SHAPE DUE TO REFLOW ATTACHMENT.

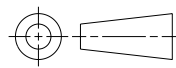
4 CONTACTS IN ROWS A,C,E,G,J,K,M,P,R, AND T
 ARE SINGLE BEAM CONTACTS,
 TYPICALLY USED AS GROUND PINS.
 (NOTE: CONTACTS IN ROW J & K ARE TIED
 TOGETHER [COMMONED]).

5 CONTACTS IN ROWS B,D,F,H,L,N,Q, AND S
 ARE DUAL BEAM CONTACTS,
 TYPICALLY USED AS SIGNAL PINS.

6 SPECIFIED POSITIONAL TOLERANCE DEFINES PAD TO PAD
 LOCATION WITHIN LAND PATTERN. POSITIONAL TOLERANCE
 OF LAND PATTERN TO FUDICIAL MARKS OR PCB DATUMS
 SHALL BE DEFINED BY CUSTOMER. FOR RECOMMENDED
 PRODUCT APPLICATION AND PCB DESIGN DETAILS, SEE
 APPLICATION SPEC 114-13101.

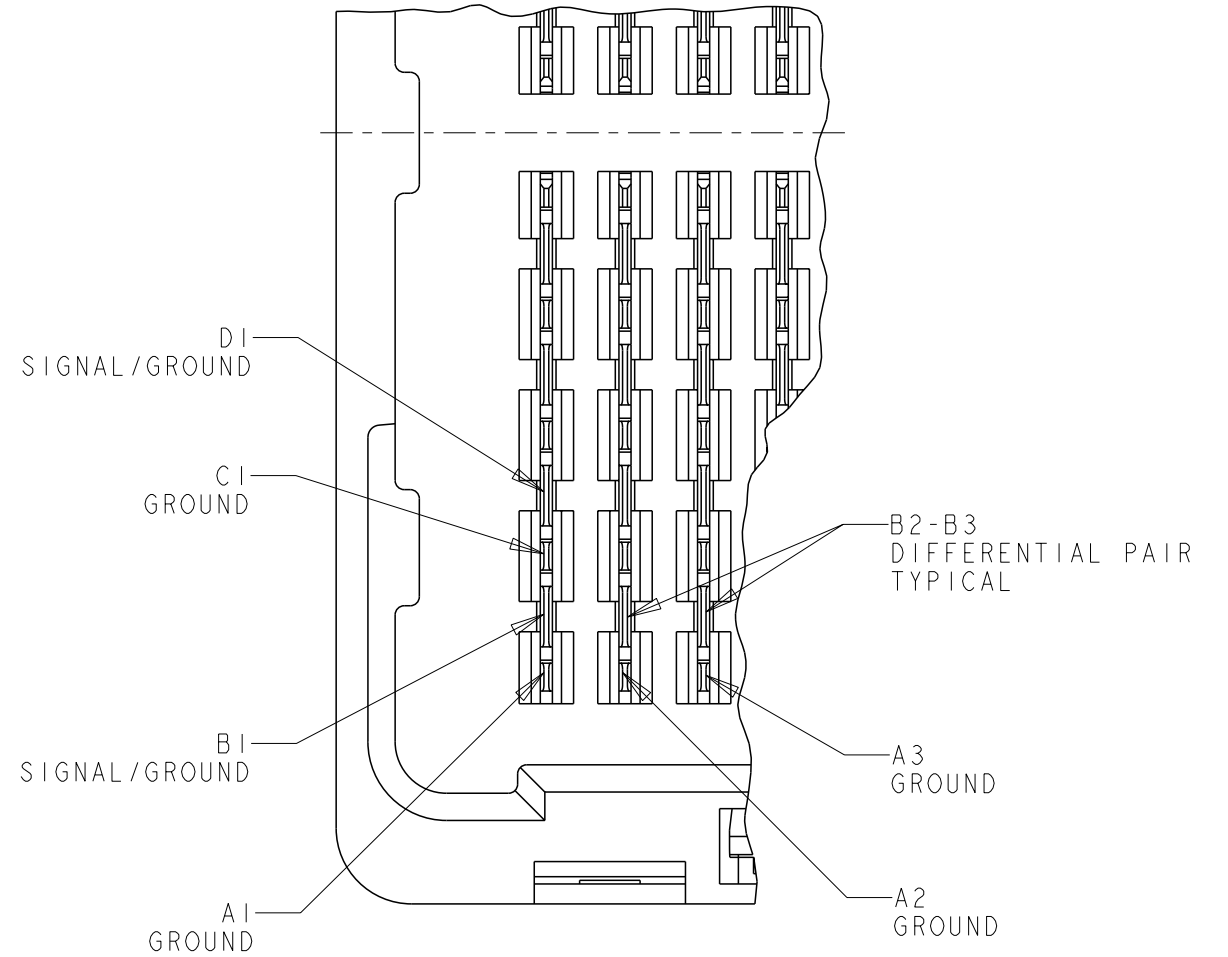
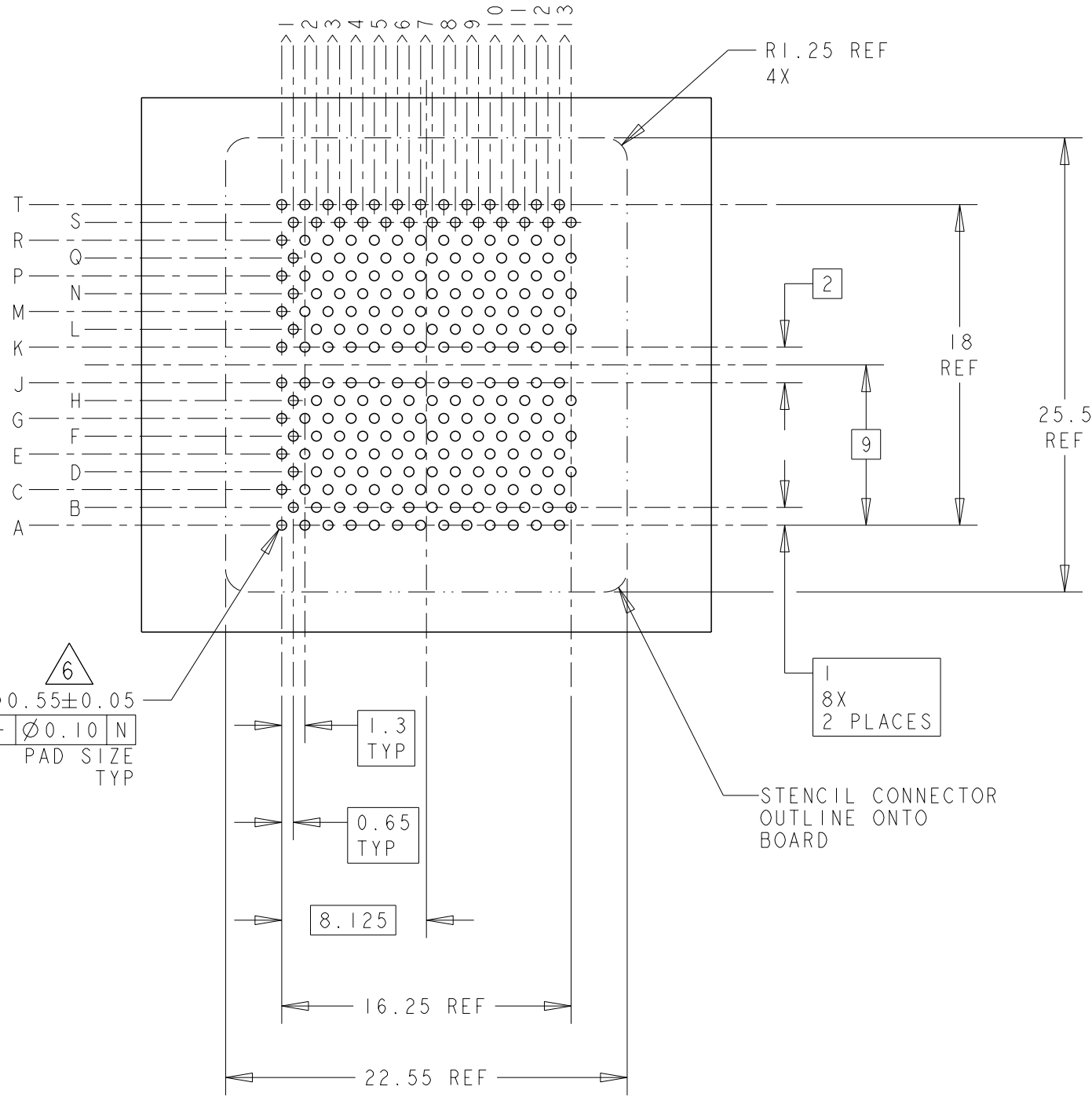
	19.65	20.95	-	20mm Sn/Ag	7-1761612-0
	14.65	15.95	-	15mm Sn/Ag	6-1761612-5
	12.65	13.95	-	13mm Sn/Ag	6-1761612-3
	11.65	12.95	-	12mm Sn/Ag	6-1761612-2
	9.65	10.95	-	10mm Sn/Ag	6-1761612-0
OBSOLETE	19.65	20.95	-	20mm Sn/Pb	2-1761612-0
	14.65	15.95	-	15mm Sn/Pb	1-1761612-5
	12.65	13.95	-	13mm Sn/Pb	1-1761612-3
	11.65	12.95	-	12mm Sn/Pb	1-1761612-2
	9.65	10.95	-	10mm Sn/Pb	1-1761612-0
	DIM H	DIM G	LOAD STYLE	DESCRIPTION	PART NUMBER

THIS DRAWING IS A CONTROLLED DOCUMENT.		DWN P BRANDBERG 18JAN05	 TE Connectivity		
DIMENSIONS: mm		CHK D WERTZ 20JAN05			
TOLERANCES UNLESS OTHERWISE SPECIFIED:		APVD D WERTZ 20JAN05	NAME STEP-Z, PLUG ASSEMBLY, 104 SIGNAL POSITION		
0 PLC ±- 1 PLC ±0.3 2 PLC ±0.10 3 PLC ±0.050 4 PLC ±- ANGLES ±2°		PRODUCT SPEC 108-2143	SIZE A3		
MATERIAL		APPLICATION SPEC 114-13101	CAGE CODE 300779	DRAWING NO C-1761612	RESTRICTED TO
FINISH		WEIGHT -	SCALE 2:1		
		CUSTOMER DRAWING	SHEET 2 OF 3		
			REV A3		



printed on 24 Apr 2021 19:24 from FRO19828

P	LTR	DESCRIPTION	DATE	DWN	APVD
-	-	SEE SHEET 1	-	-	-



PLUG INTERFACE
SCALE 8:1

BOARD PATTERN
SCALE 3:1

THIS DRAWING IS A CONTROLLED DOCUMENT.		DWN P BRANDBERG 18JAN05			
DIMENSIONS: mm		CHK D WERTZ 20JAN05			
		APVD D WERTZ 20JAN05		NAME STEP-Z, PLUG ASSEMBLY, 104 SIGNAL POSITION	
		TOLERANCES UNLESS OTHERWISE SPECIFIED:		PRODUCT SPEC 108-2143	
MATERIAL		FINISH		APPLICATION SPEC 114-13101	
0 PLC ±-		1 PLC ±0.3		WEIGHT -	
2 PLC ±0.10		3 PLC ±0.050		SIZE A3	
4 PLC ±-		ANGLES ±2°		CAGE CODE 300779	
				DRAWING NO C-1761612	
				RESTRICTED TO	
				SCALE 2:1 SHEET 3 OF 3 REV A3	
				CUSTOMER DRAWING	

Printed on 24 Apr 2021 19:24 from FRO19828

X-ON Electronics

Largest Supplier of Electrical and Electronic Components

Click to view similar products for [Board to Board & Mezzanine Connectors](#) category:

Click to view products by [TE Connectivity](#) manufacturer:

Other Similar products are found below :

[589158040000018](#) [MDF7C-18P-2.54DSA\(55\)](#) [FCN-230C068-11](#) [FCN-268F012-G/BD](#) [FCN-268F036-G/BD](#) [FCN-268M012-G/0D](#) [FCN-268M024-G/1D](#) [FCN-723J004/1](#) [MIS-048-01-F-D-DP-K](#) [832-10-034-10-001000](#) [FX4C-80S-1.27DSA](#) [FCN-214Q030-G/0](#) [FCN-234P048-G/0](#) [FCN-235D050-G/C](#) [210-93-314-41-105000](#) [2-22603-0](#) [MDF7-40DP-2.54DSA\(55\)](#) [AXG720047](#) [5031084030](#) [MIT-114-03-F-D-K](#) [55323-1519](#) [DF33-2P-3.3DSA\(24\)](#) [YFT-20-05-H-03-SB-K](#) [503308-3040](#) [026-6203-PDB](#) [027-6203-PDB](#) [069159702701000](#) [10123981-102LF](#) [101A10019X](#) [55650-0588-C](#) [68684-306](#) [75140-7012](#) [589159005003045](#) [194261-1](#) [FCN-268F024-G0D](#) [10124054-515LF](#) [68685-603](#) [8-1616154-3](#) [MIS-019-01-F-D](#) [589159005002045](#) [541371078](#) [IL-WX-10PB-HF-B-E1000E](#) [FCN-268M024-G/3D](#) [20021832-06016C1LF](#) [KX15-20KLDL-E1000E](#) [MDF7-16DP-2.54DSA\(55\)](#) [AXE810124](#) [FCN-214J100-G/0](#) [FCN-230C068-E/S](#) [AXE812124](#)