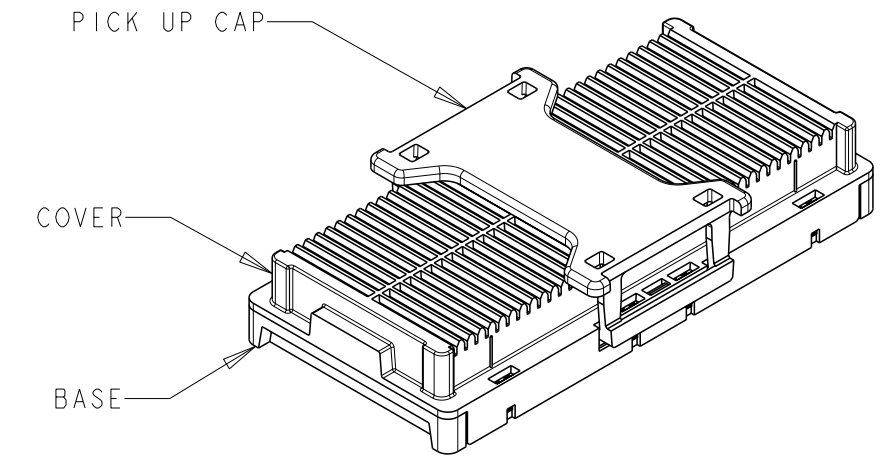
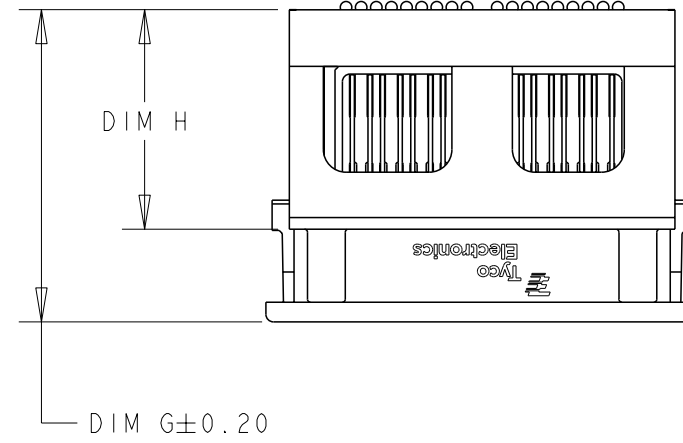
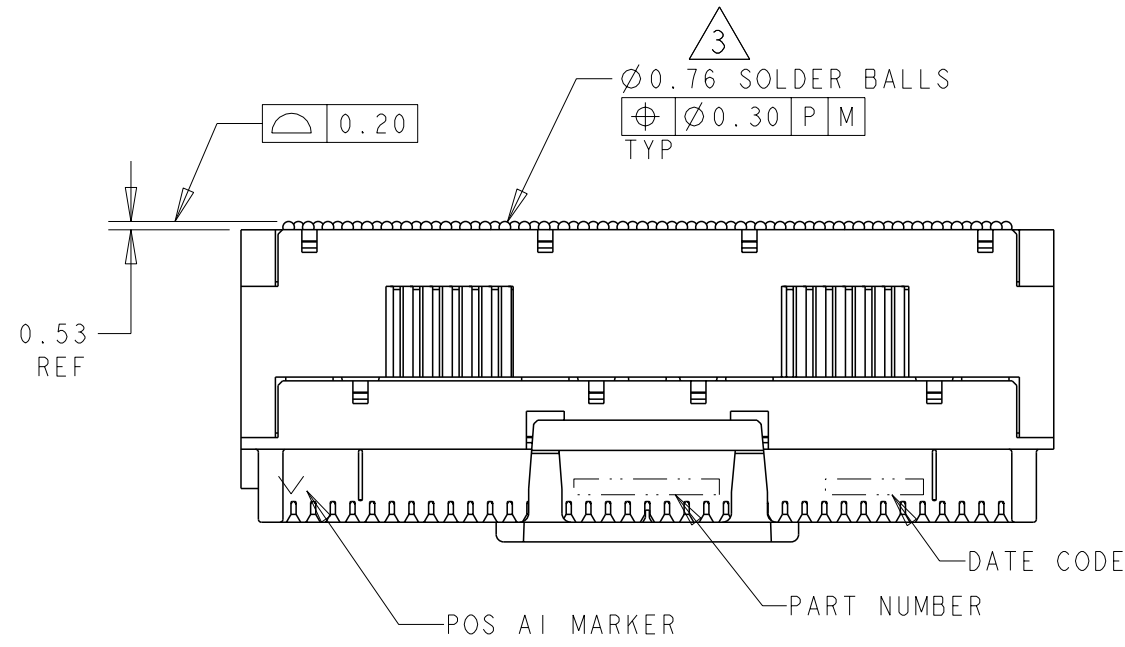
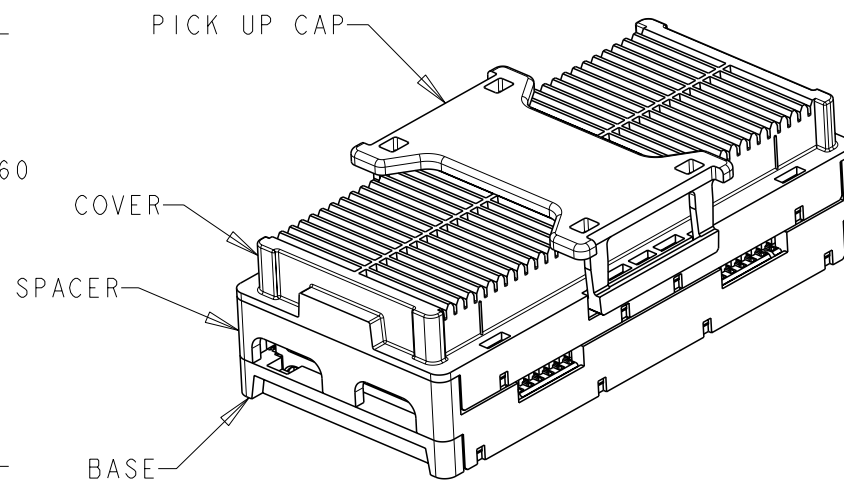
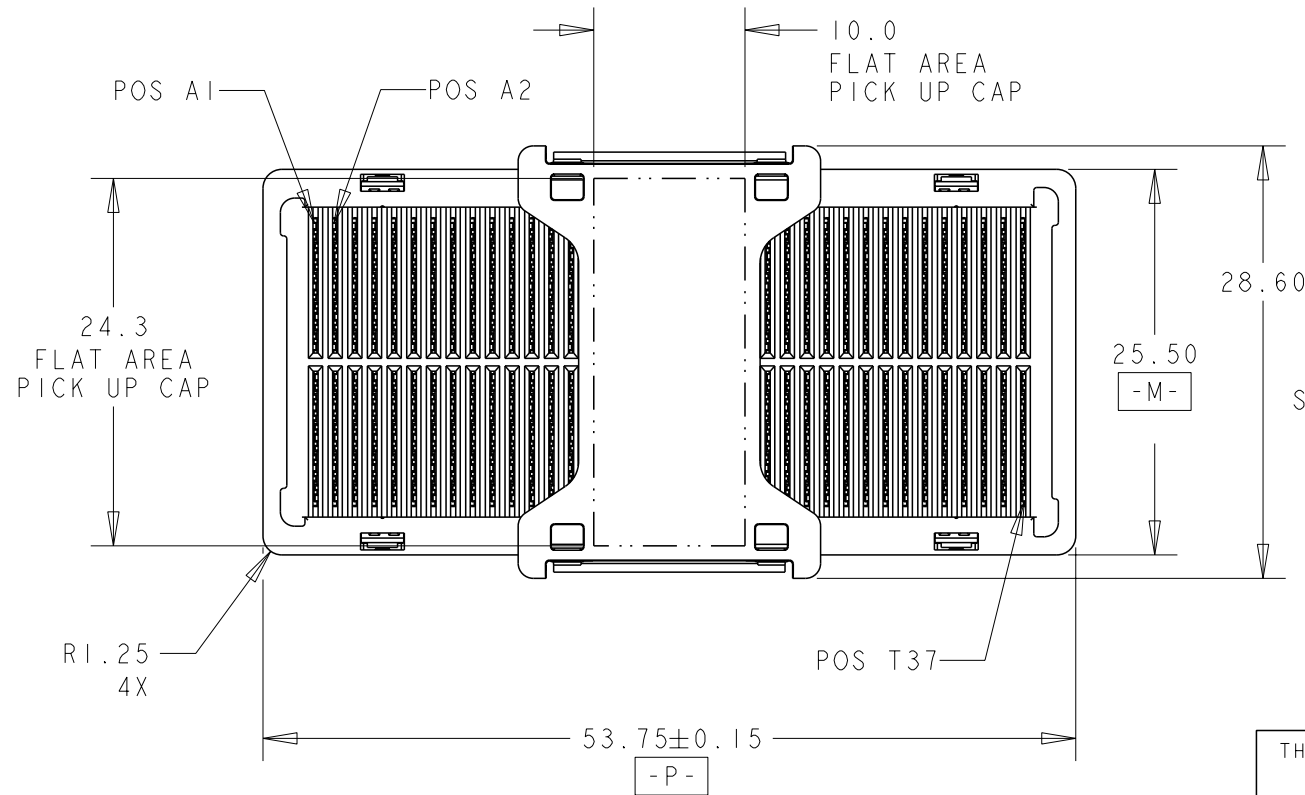


P	LTR	DESCRIPTION	DATE	DWN	APVD
	B5	REVISED PER ECO-20-017117	25APR2021	AP	RW

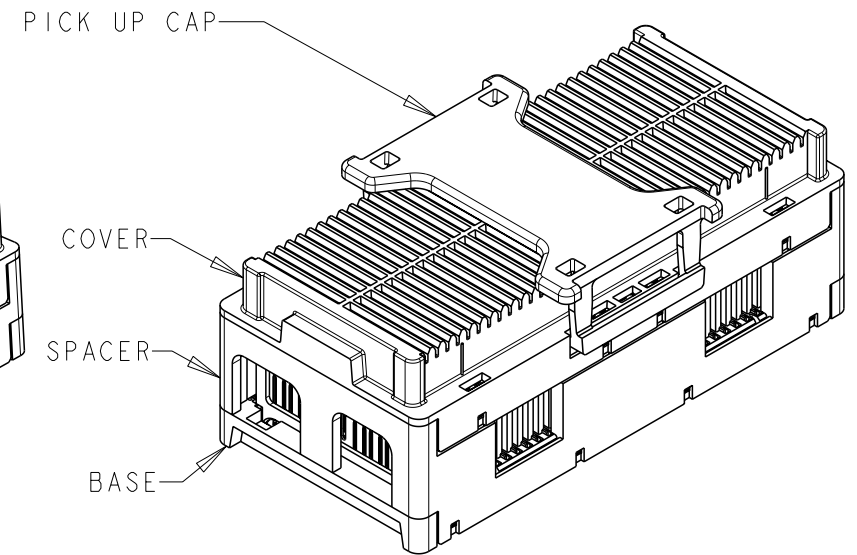


TYPICAL ASSEMBLY
15mm SHOWN
SCALE 2:1

ISOMETRIC VIEW
TYPICAL CONFIGURATION
FOR 5mm ASSEMBLY
SCALE 3:2



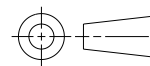
ISOMETRIC VIEW
TYPICAL CONFIGURATION
FOR 11mm ASSEMBLY
SCALE 3:2



ISOMETRIC VIEW
TYPICAL CONFIGURATION
FOR 15mm ASSEMBLY
SCALE 3:2

THIS DRAWING IS A CONTROLLED DOCUMENT.

DIMENSIONS:
mm



TOLERANCES UNLESS OTHERWISE SPECIFIED:

0 PLC ±-
1 PLC ±0.3
2 PLC ±0.10
3 PLC ±0.050
4 PLC ±-
ANGLES ±2°

MATERIAL



FINISH



DWN P BRANDBERG 11JAN05

CHK D WERTZ 12JAN05

APVD D WERTZ 12JAN05

PRODUCT SPEC

108-2143

APPLICATION SPEC

114-13101

WEIGHT

CUSTOMER DRAWING

NAME
STEP-Z RECEPTACLE ASSEMBLY,
296 SIGNAL POSITION

SIZE CAGE CODE DRAWING NO RESTRICTED TO

A300779 C-1761617




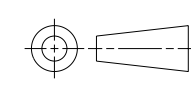
SCALE 2:1 SHEET 1 OF 4 REV B5

REVISIONS

P	LTR	DESCRIPTION	DATE	DWN	APVD
-		SEE SHEET 1	-	-	-

- 1 MATERIAL:
BASE, SPACER, COVER: THERMOPLASTIC
PICK UP CAP: THERMOPLASTIC
CONTACT: COPPER ALLOY
SOLDER BALL: Sn/Pb FOR P/N 1761615-1 THRU 5-1761615-0
Sn/Ag FOR P/N 5-1761615-1 THRU 9-1761615-9
- 2 FINISH:
CONTACT: 0.00076 MIN GOLD OVER 0.00127 MIN NICKEL.
(30µ" MIN GOLD OVER 50µ" MIN NICKEL)
- 3 SOLDER BALLS WILL NOT BE PERFECT
SPHERICAL SHAPE DUE TO REFLOW ATTACHMENT.
- 4 CONTACTS IN ROWS A,C,E,G,J,K,M,P,R, AND T
ARE SINGLE BEAM CONTACTS,
TYPICALLY USED AS GROUND PINS.
(NOTE: CONTACTS IN ROWS J & K ARE TIED
TOGETHER [COMMONED]).
- 5 CONTACTS IN ROWS B,D,F,H,L,N,Q, AND S
ARE DUAL BEAM CONTACTS,
TYPICALLY USED AS SIGNAL PINS.
- 6 SPECIFIED POSITIONAL TOLERANCE DEFINES PAD TO PAD
LOCATION WITHIN LAND PATTERN. POSITIONAL TOLERANCE
OF LAND PATTERN TO FUDICIAL MARKS OR PCB DATUMS
SHALL BE DEFINED BY CUSTOMER. FOR RECOMMENDED
PRODUCT APPLICATION AND PCB DESIGN DETAILS, SEE
APPLICATION SPEC 114-13101.

	14.51	20.65	-	15mm Sn/Ag 6-1761617-5
	10.51	16.65	-	11mm Sn/Ag 6-1761617-1
	4.51	10.65	-	5mm Sn/Ag 5-1761617-5
OBSOLETE	14.51	20.65	-	15mm Sn/Pb 1-1761617-5
	10.51	16.65	-	11mm Sn/Pb 1-1761617-1
	4.51	10.65	-	5mm Sn/Pb 1-1761617-5
	DIM H	DIM G	LOAD STYLE	DESCRIPTION PART NUMBER

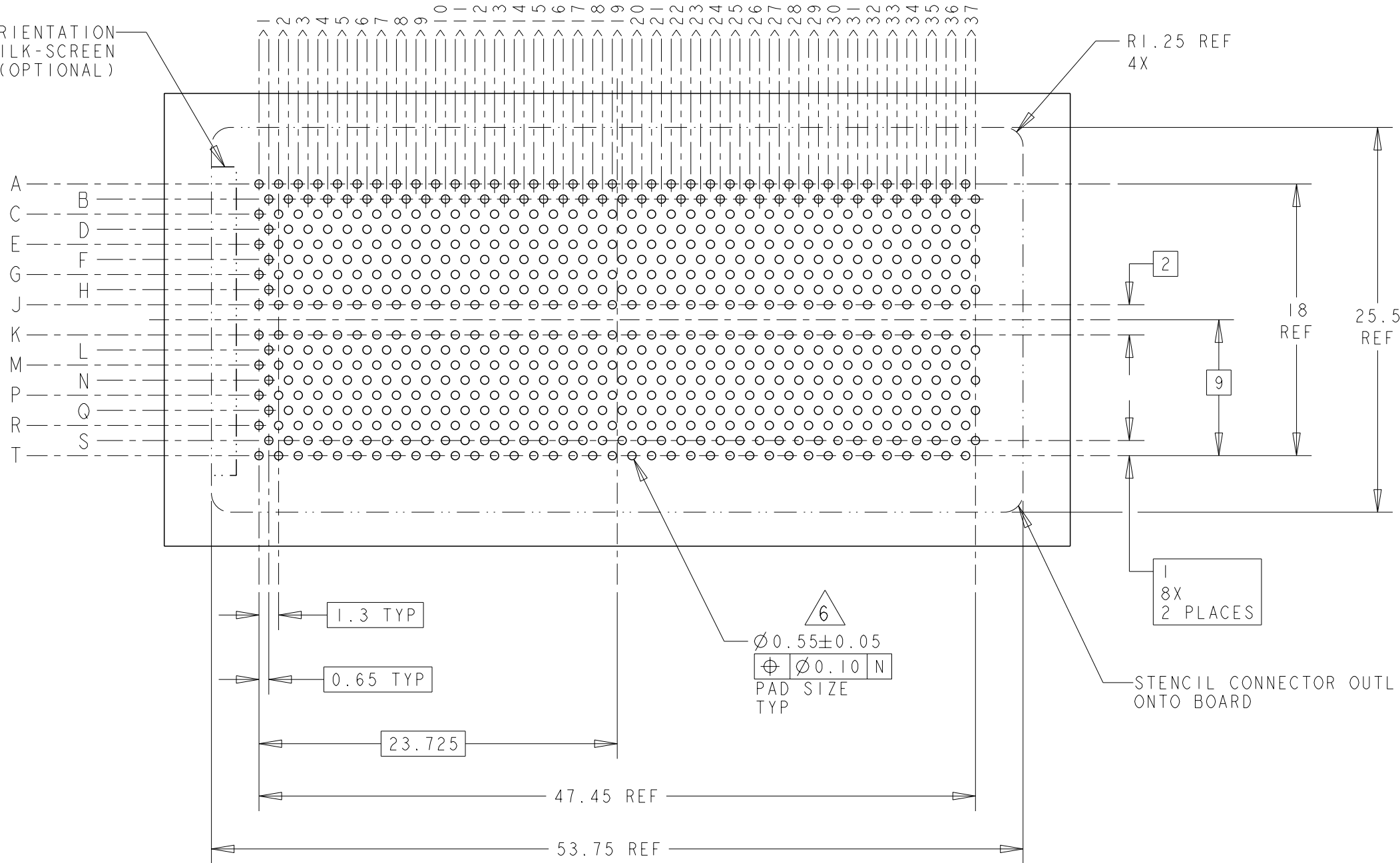
THIS DRAWING IS A CONTROLLED DOCUMENT.		DWN P BRANDBERG 11 JAN05	 TE Connectivity	
DIMENSIONS: mm		CHK D WERTZ 12 JAN05		
TOLERANCES UNLESS OTHERWISE SPECIFIED:		APVD D WERTZ 12 JAN05	NAME STEP-Z RECEPTACLE ASSEMBLY, 296 SIGNAL POSITION	
		PRODUCT SPEC -	-	
0 PLC ±- 1 PLC ±0.3 2 PLC ±0.10 3 PLC ±0.050 4 PLC ±- ANGLES ±2°		APPLICATION SPEC -	-	
MATERIAL -	FINISH -	WEIGHT -	SIZE A3	CAGE CODE 00779
		DRAWING NO C-1761617		RESTRICTED TO
		CUSTOMER DRAWING		SCALE 1:1 SHEET 2 OF 4 REV B5

printed on 25 Apr 2021 19:02 from FRO19828

REVISIONS

P	LTR	DESCRIPTION	DATE	DWN	APVD
-	-	SEE SHEET 1	-	-	-

KEY ORIENTATION SILK-SCREEN (OPTIONAL)



4 5 BOARD PATTERN SCALE 3:1

THIS DRAWING IS A CONTROLLED DOCUMENT.

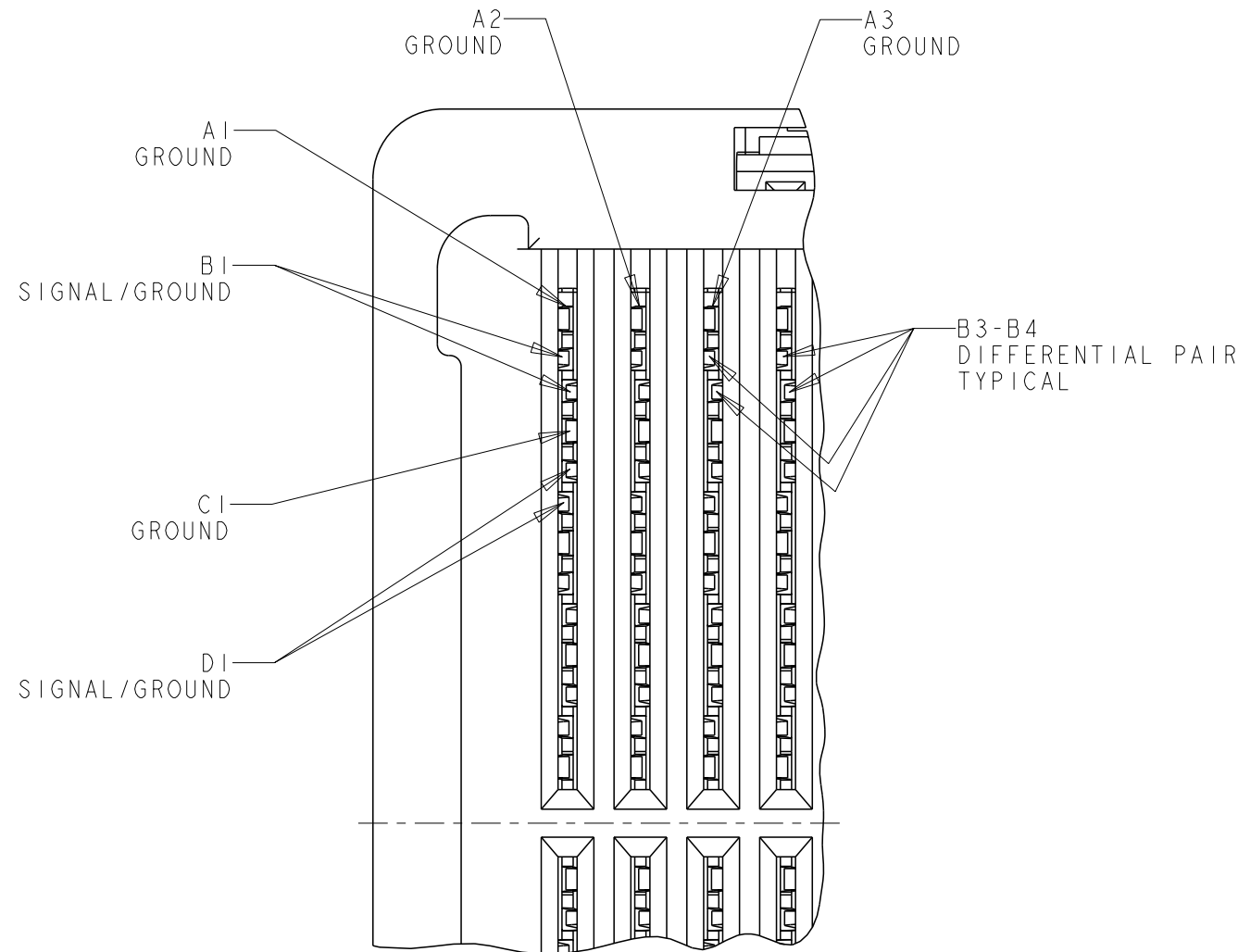
DIMENSIONS: mm	TOLERANCES UNLESS OTHERWISE SPECIFIED:
	0 PLC ±-
	1 PLC ±0.3
	2 PLC ±0.10
	3 PLC ±0.050
	4 PLC ±-
	ANGLES ±2°
MATERIAL	FINISH
-	-

DWN	P BRANDBERG	11 JAN 05
CHK	D WERTZ	12 JAN 05
APVD	D WERTZ	12 JAN 05
PRODUCT SPEC	-	-
APPLICATION SPEC	-	-
WEIGHT	-	-
CUSTOMER DRAWING		

		NAME	
		STEP-Z RECEPTACLE ASSEMBLY, 296 SIGNAL POSITION	
SIZE	CAGE CODE	DRAWING NO	RESTRICTED TO
A3	00779	C-1761617	-
SCALE 1:1		SHEET 3 OF 4	REV B5

printed on 25 Apr 2021 19:02 from FROT9828

REVISIONS					
P	LTR	DESCRIPTION	DATE	DWN	APVD
-		SEE SHEET 1	-	-	-



RECEPTACLE INTERFACE
SCALE 8:1

THIS DRAWING IS A CONTROLLED DOCUMENT.		DWN P BRANDBERG 11 JAN 05			
DIMENSIONS: mm		CHK D WERTZ 12 JAN 05			
TOLERANCES UNLESS OTHERWISE SPECIFIED:		APVD D WERTZ 12 JAN 05	NAME STEP-Z RECEPTACLE ASSEMBLY, 296 SIGNAL POSITION		
0 PLC ±-		PRODUCT SPEC	-		
1 PLC ±0.3		APPLICATION SPEC	-		
2 PLC ±0.10		WEIGHT	-		
3 PLC ±0.050		CUSTOMER DRAWING	SIZE A3	CAGE CODE 00779	DRAWING NO C-1761617
4 PLC ±-		SCALE	1:1		
ANGLES ±2°		SHEET	4 OF 4		
FINISH		REV	B5		
MATERIAL		RESTRICTED TO			

printed on 25 Apr 2021 19:02 from FRO19828

X-ON Electronics

Largest Supplier of Electrical and Electronic Components

Click to view similar products for [Board to Board & Mezzanine Connectors](#) category:

Click to view products by [TE Connectivity](#) manufacturer:

Other Similar products are found below :

[589158040000018](#) [MDF7C-18P-2.54DSA\(55\)](#) [FCN-230C068-11](#) [FCN-268F012-G/BD](#) [FCN-268F036-G/BD](#) [FCN-268M012-G/0D](#) [FCN-268M024-G/1D](#) [FCN-723J004/1](#) [MIS-048-01-F-D-DP-K](#) [832-10-034-10-001000](#) [FX4C-80S-1.27DSA](#) [FCN-214Q030-G/0](#) [FCN-234P048-G/0](#) [FCN-235D050-G/C](#) [210-93-314-41-105000](#) [2-22603-0](#) [MDF7-40DP-2.54DSA\(55\)](#) [AXG720047](#) [5031084030](#) [MIT-114-03-F-D-K](#) [55323-1519](#) [DF33-2P-3.3DSA\(24\)](#) [YFT-20-05-H-03-SB-K](#) [503308-3040](#) [026-6203-PDB](#) [027-6203-PDB](#) [069159702701000](#) [10123981-102LF](#) [101A10019X](#) [55650-0588-C](#) [68682-310LF](#) [68684-306](#) [75140-7012](#) [87471-650](#) [194261-1](#) [FCN-268F024-G0D](#) [10124054-515LF](#) [68685-603](#) [8-1616154-3](#) [MIS-019-01-F-D](#) [541371078](#) [IL-WX-10PB-HF-B-E1000E](#) [FCN-268M024-G/3D](#) [20021832-06016C1LF](#) [KX15-20KLDL-E1000E](#) [MDF7-16DP-2.54DSA\(55\)](#) [AXE810124](#) [FCN-214J100-G/0](#) [FCN-230C068-E/S](#) [AXE812124](#)