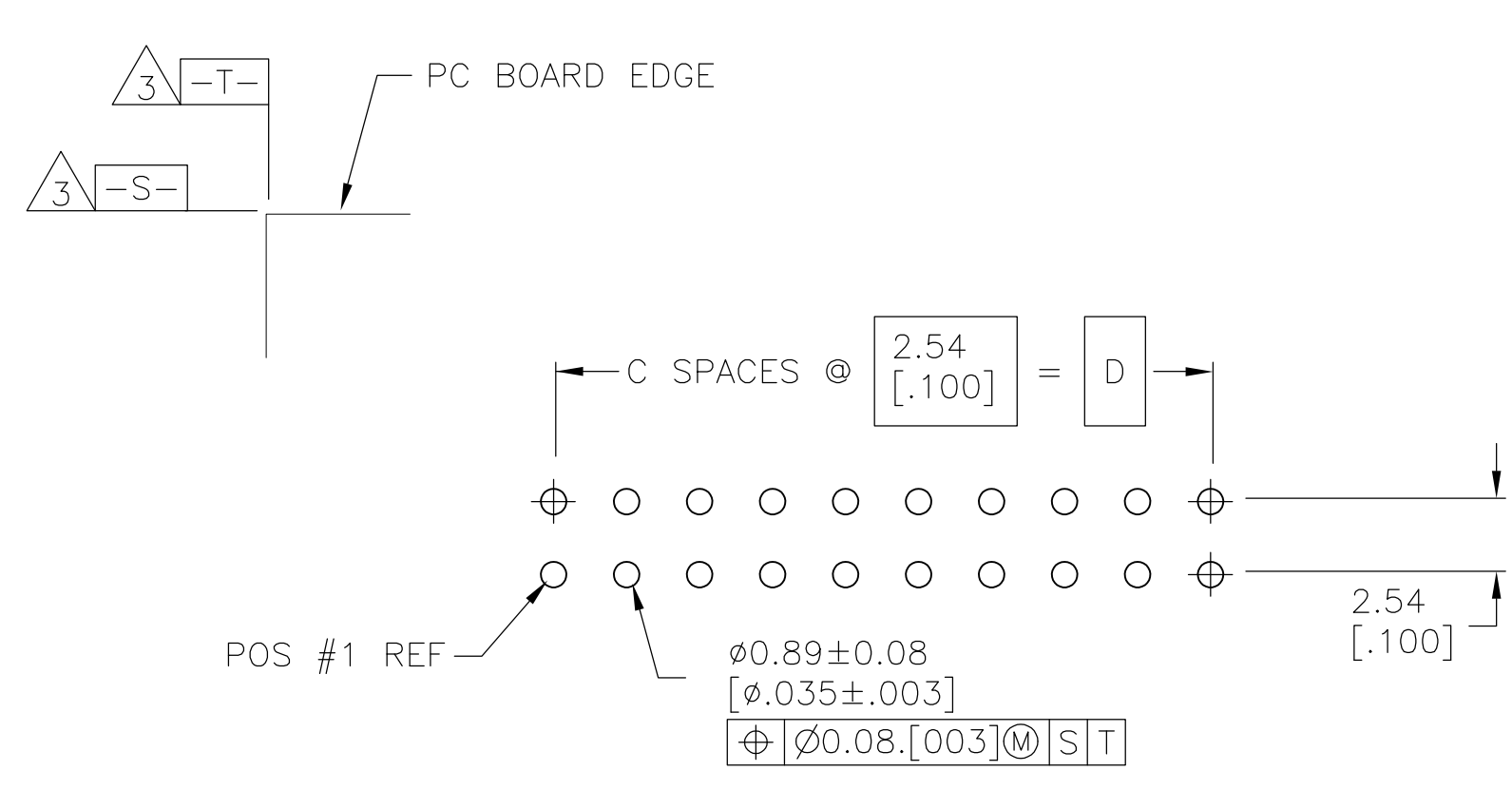
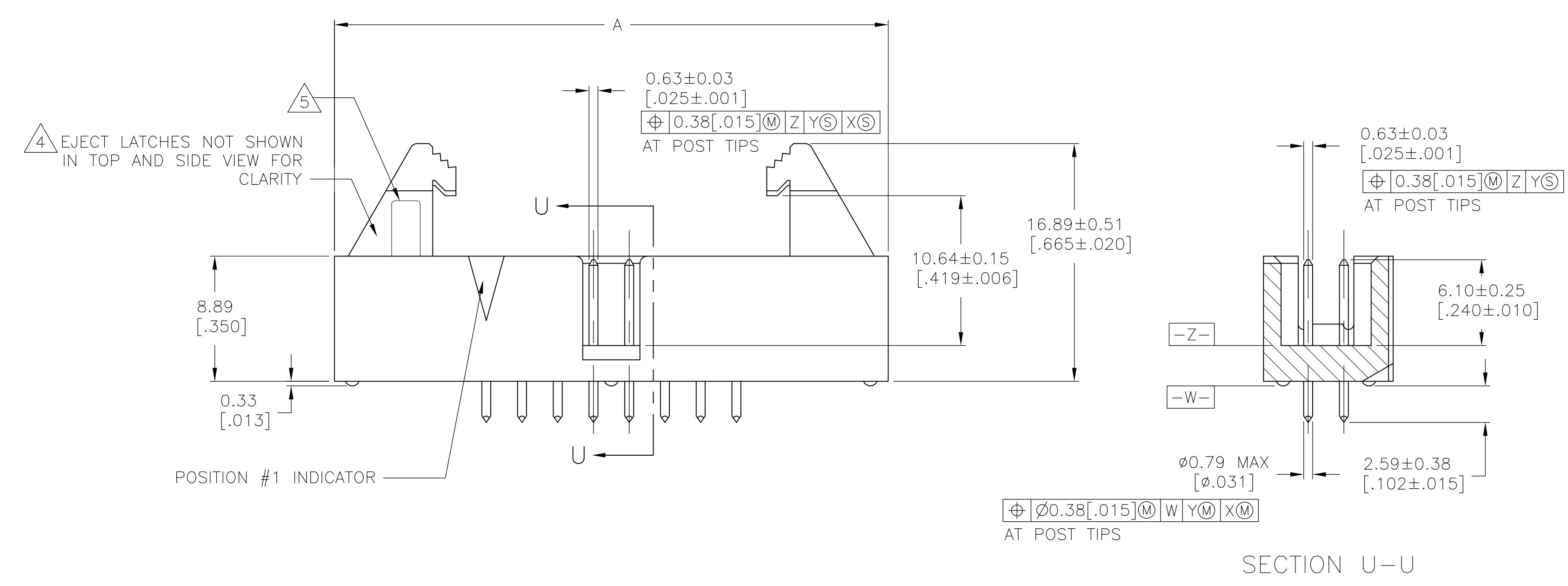


- 1 HOUSING & EJECT LATCHES: PBT, UL94V-0, COLOR BLUE. POSTS: PHOSPHOR BRONZE.
- 2 POSTS: 0.00076[.000030] MIN GOLD ON MATING AREA, 0.00254[.000100] MIN TIN ON SOLDER END, ALL OVER 0.00127[.000050] MIN NICKEL ON ENTIRE POST. DATUMS S & T TO BE ESTABLISHED BY CUSTOMER.
- 3 SHORT EJECT LATCHES FOR MATING IDC/AMP-LATCH STYLE
- 4 RECEPTACLES WITHOUT A STRAIN RELIEF.
- 5 MANUFACTURER'S LOGO TO BE LOCATED IN APPROXIMATE AREA SHOWN.



RECOMMENDED PC BOARD LAYOUT  
 (VIEWED FROM CONNECTOR SIDE)

	D	C	B	A	NO OF POS	PART NUMBER
OBsolete	78.74 [3.100]	31	86.36 [3.400]	100.33 [3.950]	64	1-1761685-7
	73.66 [2.900]	29	81.28 [3.200]	95.25 [3.750]	60	1-1761685-6
	60.96 [2.400]	24	68.58 [2.700]	82.55 [3.250]	50	1-1761685-5
	53.34 [2.100]	21	60.96 [2.400]	74.93 [2.950]	44	1-1761685-4
	48.26 [1.900]	19	55.88 [2.200]	69.85 [2.750]	40	1-1761685-3
OBsolete	43.18 [1.700]	17	50.80 [2.000]	64.77 [2.550]	36	1-1761685-2
	40.64 [1.600]	16	48.26 [1.900]	62.23 [2.450]	34	1-1761685-1
	35.56 [1.400]	14	43.18 [1.700]	57.15 [2.250]	30	1-1761685-0
	30.48 [1.200]	12	38.10 [1.500]	52.07 [2.050]	26	1761685-9
	27.94 [1.100]	11	35.56 [1.400]	49.53 [1.950]	24	1761685-8
	22.86 [.900]	9	30.48 [1.200]	44.45 [1.750]	20	1761685-7
	17.78 [.700]	7	25.40 [1.000]	39.37 [1.550]	16	1761685-6
OBsolete	15.24 [.600]	6	22.86 [.900]	36.83 [1.450]	14	1761685-5
	12.70 [0.500]	5	20.32 [.800]	34.29 [1.350]	12	1761685-4
	10.16 [.400]	4	17.78 [.700]	31.75 [1.250]	10	1761685-3

THIS DRAWING IS A CONTROLLED DOCUMENT.

DIMENSIONS: mm [INCHES]	TOLERANCES UNLESS OTHERWISE SPECIFIED:	0 PLC ± -	1 PLC ± -	2 PLC ± -	3 PLC ± 0.13[.005]	4 PLC ± -	ANGLES ± -
-------------------------	--	-----------	-----------	-----------	--------------------	-----------	------------

MATERIAL 1 FINISH 2

APPROVED BY: S. BOLASH	DESIGNED BY: M. WALSLEY	DATE: 05JUN05
PRODUCT SPEC	APPLICATION SPEC	SIZE: A1
WEIGHT: -	CAGE CODE: -	DRAWING NO: 00779
CUSTOMER DRAWING	SCALE: 4:1	SHEET 1 OF 1

Part Number: 1761685

## X-ON Electronics

Largest Supplier of Electrical and Electronic Components

*Click to view similar products for [Headers & Wire Housings](#) category:*

*Click to view products by [TE Connectivity](#) manufacturer:*

Other Similar products are found below :

[892-18-020-10-001101](#) [58102-G61-06LF](#) [582553-1](#) [0009485154](#) [009176003701906](#) [0050291907](#) [LY20-4P-DT1-P1E-BR](#) [02.125.8002.8](#)  
[609-3404](#) [61062-3](#) [61082-181009](#) [622-3653LF](#) [63453-116](#) [636-1030](#) [636-1427](#) [636-3427](#) [636-4007](#) [641938-9](#) [641991-4](#) [644827-2](#) [65817-](#)  
[010LF](#) [65817-015LF](#) [65863-015LF](#) [66207-023LF](#) [67095-007LF](#) [67601157](#) [68645-018](#) [68648-049](#) [70.362.1628.0](#) [70-4210](#) [70-4226B](#) [70-](#)  
[4853B](#) [707-5020](#) [707-5028](#) [71.350.2428.0](#) [71918-208LF](#) [71961-016LF](#) [733-134](#) [733-162](#) [754199-000](#) [760-3052](#) [787-8014-00](#) [79531-3000](#)  
[FCN-360C032-B](#) [FCN-367T-T012/H](#) [FCN-723D010/2](#) [80.063.4001.1](#) [800-90-001-10-001000](#) [800-90-010-10-002000](#) [801-43-002-10-013000](#)