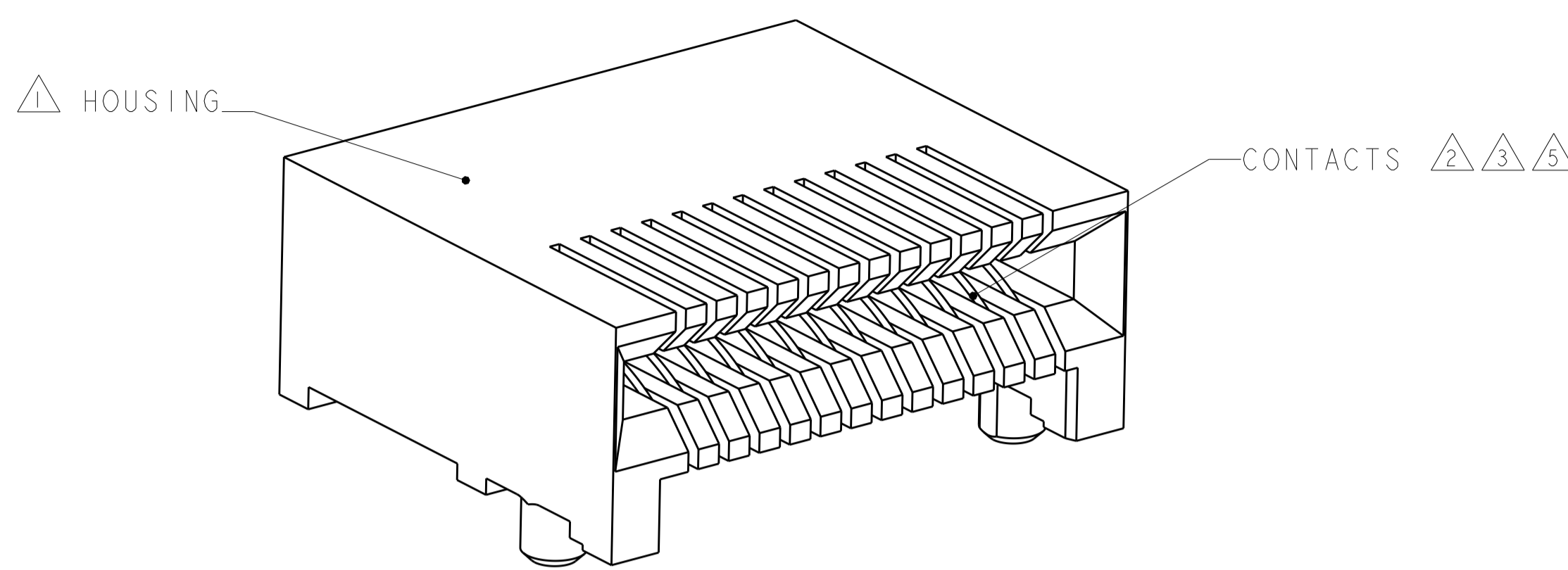
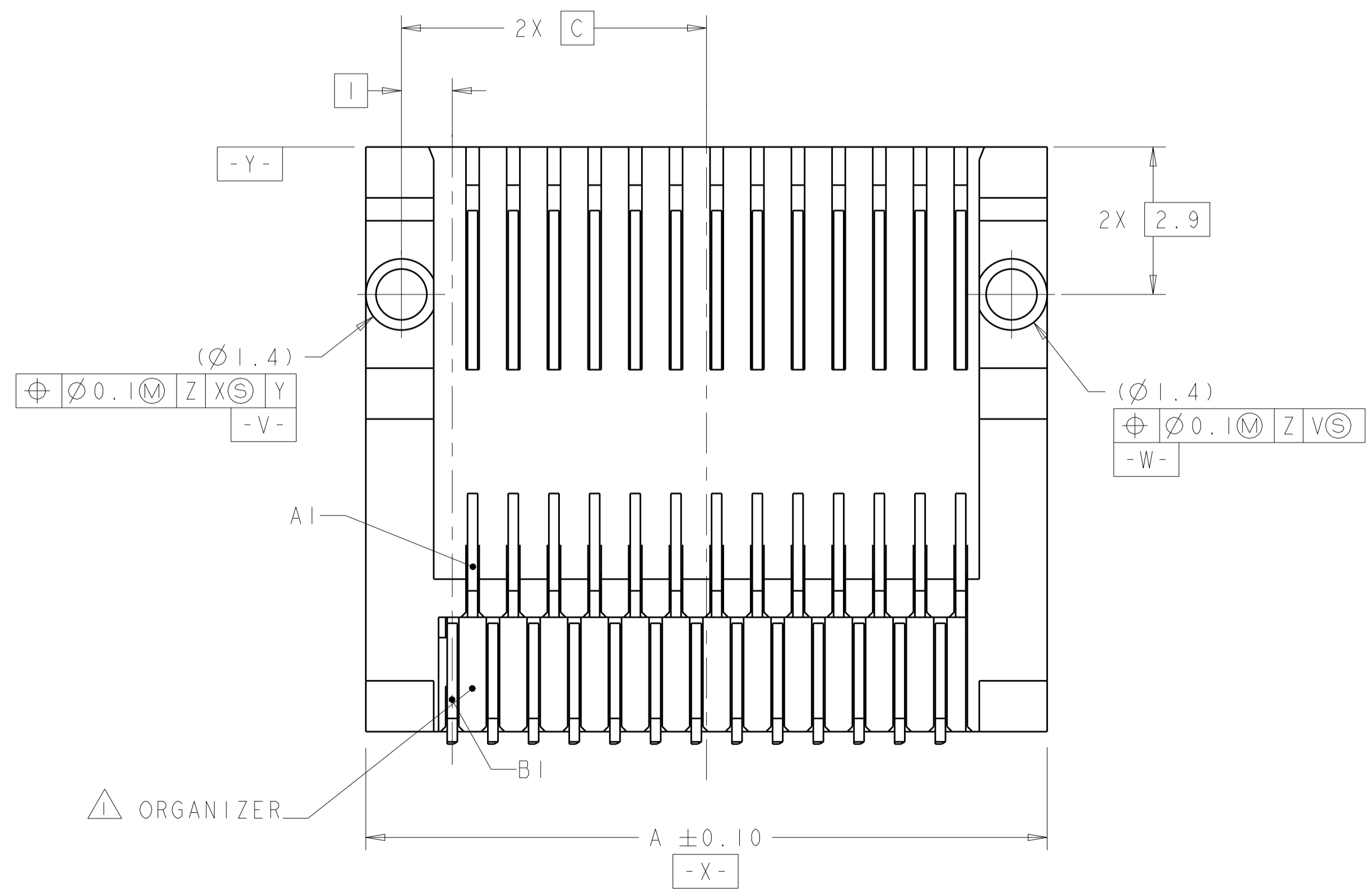
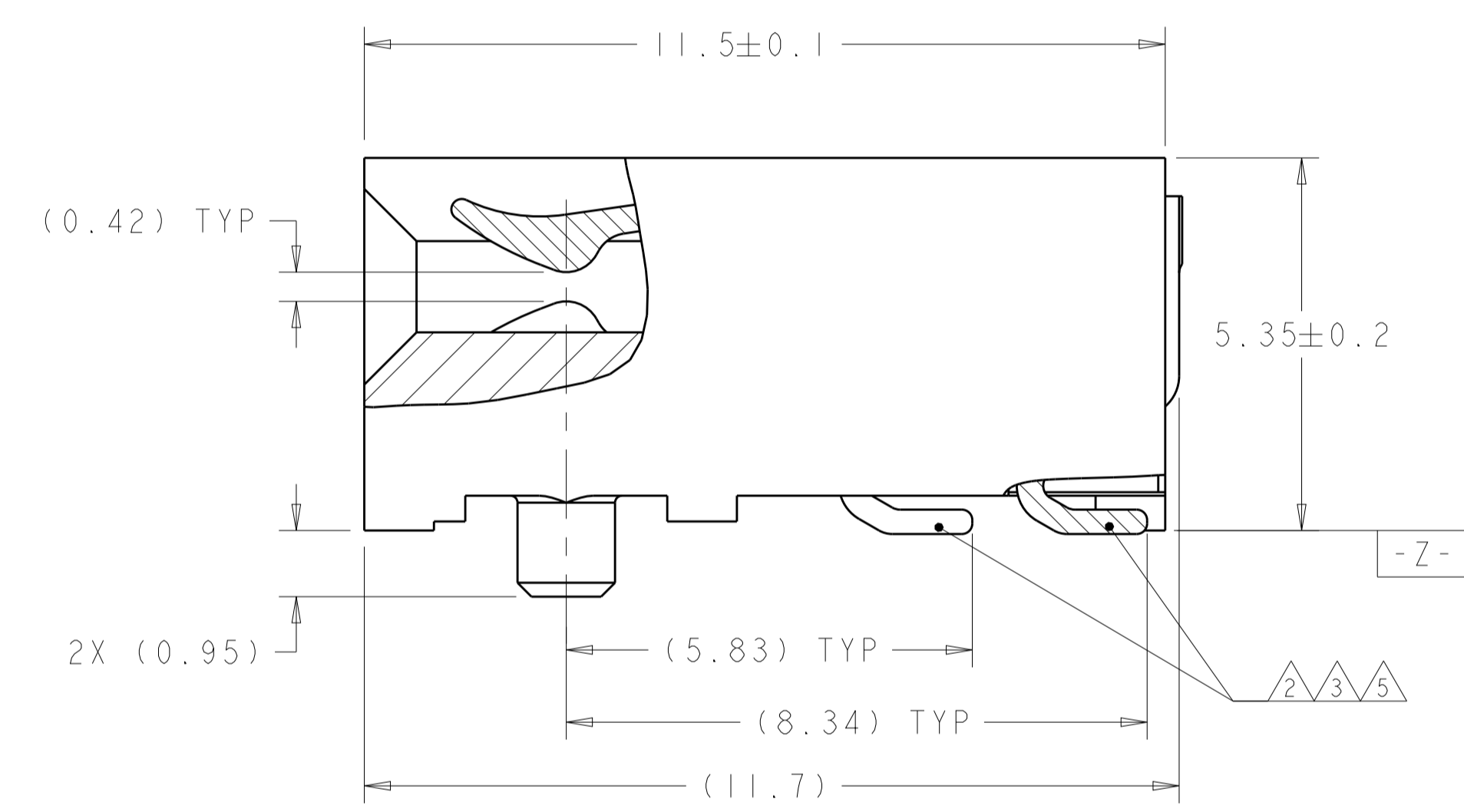
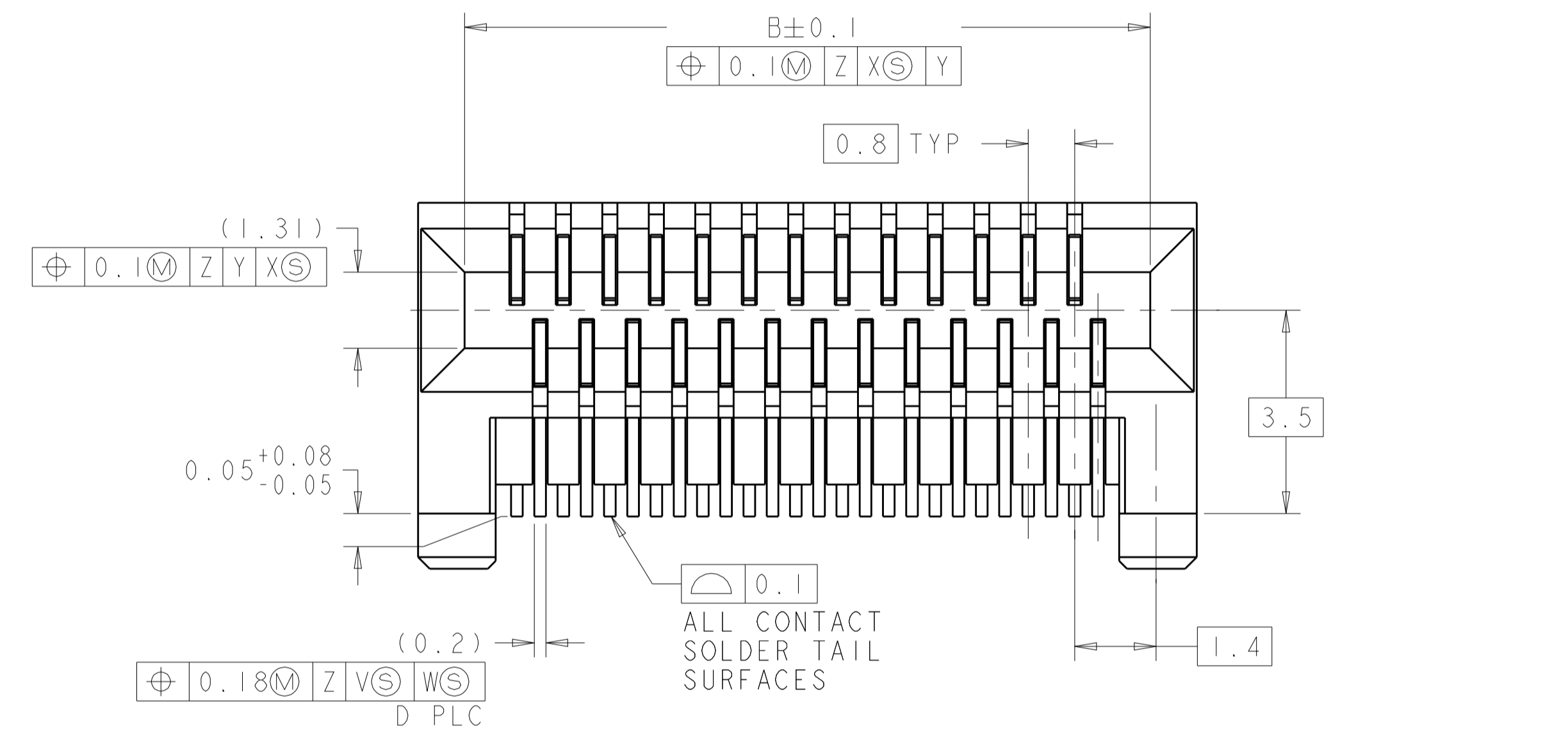


| LOC | DIST | REVISIONS | | | | | |
|-----|------|-----------|-----|---------------------------|-----------|-----|------|
| | | P | LTN | DESCRIPTION | DATE | DWN | APVD |
| GP | 00 | A2 | | REVISED PER ECO-11-004835 | 11MAR2011 | RK | HMR |
| | | A3 | | REVISED PER ECO-14-010818 | 27OCT2016 | RG | SH |
| | | B | | REVISED PER ECO-17-017261 | 02MAY2018 | TX | SH |



26 POSITION RECEPTACLE
 SCALE 9:1

- △ MATERIAL: LCP, BLACK.
- △ MATERIAL: PHOSPHOR BRONZE PER ASTM B 103.
- △ FINISH: 0.76µm MIN GOLD PLATE PER ASTM B 488, APPLIES TO INTERFACE AREA AND 2.03µm MIN TIN PLATE SOLDER TAILS, ALL OVER 3.81µm MIN NICKEL PLATE PER QQ-N-290.
- △ DATUM AND BASIC DIMENSION ESTABLISHED BY CUSTOMER.
- △ FINISH: 0.38µm MIN GOLD PLATE PER ASTM B 488, APPLIES TO INTERFACE AREA AND 2.03µm MIN TIN PLATE SOLDER TAILS, ALL OVER 3.81µm MIN NICKEL PLATE PER QQ-N-290.



| FINISH | PACKAGING | PART NUMBER | | | | | | |
|--------|---------------|-------------|----|-------|-------|-------|------|-------------|
| | | E | D | C | B | A | POSN | PART NUMBER |
| △ | TAPE AND REEL | 16.80 | 38 | 8.40 | 16.60 | 18.20 | 38 | 1-1761987-8 |
| | | 16.00 | 36 | 8.00 | 15.80 | 17.40 | 36 | 1-1761987-7 |
| | | 12.00 | 26 | 6.00 | 11.80 | 13.40 | 26 | 1-1761987-6 |
| | TUBE | 28.80 | 68 | 14.80 | 28.60 | 30.20 | 68 | 1-1761987-5 |
| | | 16.80 | 38 | 8.40 | 16.60 | 18.10 | 38 | 1-1761987-4 |
| | | 23.20 | 54 | 11.60 | 23.00 | 24.60 | 54 | 1-1761987-3 |
| △ | TAPE AND REEL | 16.80 | 38 | 8.40 | 16.60 | 18.20 | 38 | 1761987-9 |
| | | 16.00 | 36 | 8.00 | 15.80 | 17.40 | 36 | 1761987-8 |
| | | 12.00 | 26 | 6.00 | 11.80 | 13.40 | 26 | 1761987-7 |
| | TUBE | 28.80 | 68 | 14.80 | 28.60 | 30.20 | 68 | 1761987-6 |
| | | 16.80 | 38 | 8.40 | 16.60 | 18.20 | 38 | 1761987-5 |
| | | 23.20 | 54 | 11.60 | 23.00 | 24.60 | 54 | 1761987-4 |
| | | 21.60 | 50 | 10.80 | 21.40 | 23.00 | 50 | 1761987-3 |
| | | 16.00 | 36 | 8.00 | 15.80 | 17.40 | 36 | 1761987-2 |
| | | 12.00 | 26 | 6.00 | 11.80 | 13.40 | 26 | 1761987-1 |

THIS DRAWING IS A CONTROLLED DOCUMENT. DWN: M. E. CONHEP, 28JUN2005
 CHK: R. R. HENRY, 28JUN2005
 APVD: R. R. HENRY, 28JUN2005

DIMENSIONS: mm
 TOLERANCES UNLESS OTHERWISE SPECIFIED:
 0 PLC ±
 1 PLC ±
 2 PLC ±
 3 PLC ±
 4 PLC ±
 ANGLES ±

MATERIAL: SEE NOTES
 FINISH: SEE TABLE

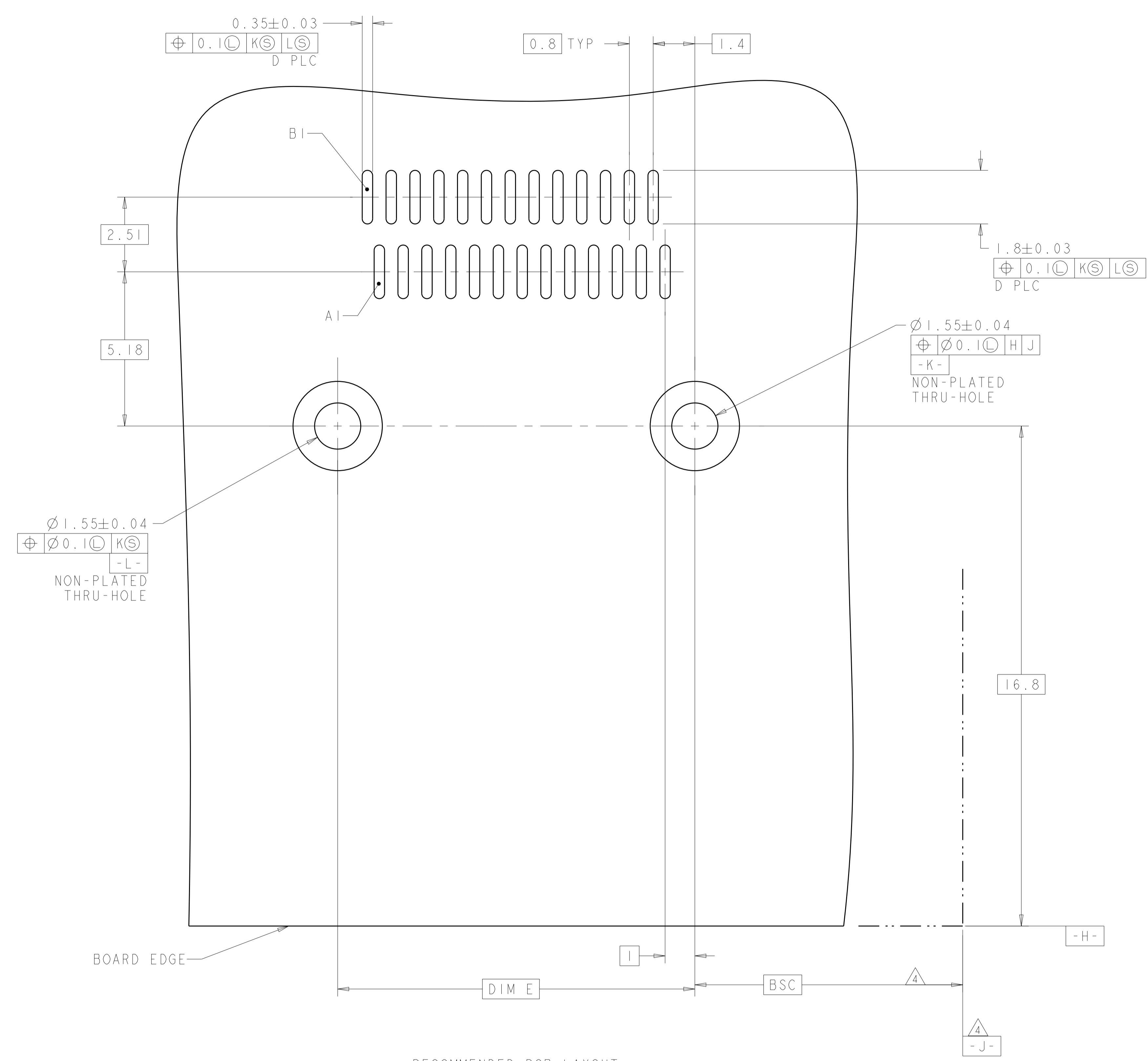
WEIGHT: -
 CUSTOMER DRAWING

NAME: EVERCLEAR Mini-SAS RECEPTACLE CONNECTOR ASSEMBLY, RIGHT ANGLE, SURFACE MOUNT
 PRODUCT SPEC: 108-2234
 APPLICATION SPEC: -

SIZE: A1
 CAGE CODE: 100779
 DRAWING NO: 1761987

RESTRICTED TO: -
 SCALE: 12:1
 SHEET: 1 OF 2
 REV: B

| LOC | DIST | REVISIONS | | | | | |
|-----|------|-----------|-----|-------------|------|-----|------|
| GP | 00 | P. | LTN | DESCRIPTION | DATE | DMN | APVD |
| | | - | | SEE SHEET 1 | - | - | - |
| | | | | | | | |
| | | | | | | | |



Ø1.55±0.04
 Ø0.10±0.03
 -L-
 NON-PLATED THRU-HOLE

Ø1.55±0.04
 Ø0.10±0.03
 -K-
 NON-PLATED THRU-HOLE

1.8±0.03
 Ø0.10±0.03
 D-PLC

0.35±0.03
 Ø0.10±0.03
 K
 L
 D-PLC

0.8 TYP
 1.4

2.51

5.18

16.8

-H-

4
 -J-

DIM E

BSC

BOARD EDGE

RECOMMENDED PCB LAYOUT

| | | | | |
|--|---|----------------------------------|--|-------------------------------|
| THIS DRAWING IS A CONTROLLED DOCUMENT. | | DMN M. E. CONNER 28JUN2005 | TE Connectivity | |
| DIMENSIONS: | | CHK R. R. HENRY 28JUN2005 | NAME EVERCLEAR Mini-SAS RECEPTACLE CONNECTOR ASSEMBLY, RIGHT ANGLE, SURFACE MOUNT | |
| mm | TOLERANCES UNLESS OTHERWISE SPECIFIED: | APVD R. R. HENRY 28JUN2005 | PRODUCT SPEC 108-2234 | |
| | 0 PLC ± 1 PLC ± 2 PLC ± 3 PLC ± 4 PLC ± ANGLES ± | APPLICATION SPEC | RESTRICTED TO | |
| MATERIAL | FINISH | WEIGHT | SIZE A100779 | DRAWING NO. C=1761987 |
| | | | CUSTOMER DRAWING | SCALE 12:1 SHEET 2 OF 2 REV B |

X-ON Electronics

Largest Supplier of Electrical and Electronic Components

Click to view similar products for [I/O Connectors](#) category:

Click to view products by [TE Connectivity](#) manufacturer:

Other Similar products are found below :

[571763P](#) [58098-0628](#) [72.250.1628.2](#) [72.250.2428.2](#) [74720-0505](#) [76.350.0729.0](#) [76871-1403](#) [FCN-244F080-G/1](#) [FCN-260A9920](#) [PCR-E36PM](#) [PCS-XE26MA+](#) [G38A71314B](#) [1571250010](#) [157-22500-3](#) [MS3471L14-19P L/C](#) [172501-4002](#) [172501-6002](#) [FCN-260C008-A/L0](#) [FCN-260C024-AL0](#) [FCN-261Z008](#) [2000314-1](#) [200331-1](#) [PCR-E36FC+](#) [PCS-E28FS+](#) [PCS-XE26SLFD+](#) [PCS-XE26SLFDT+](#) [G730VID08BDC24](#) [U90B2054081210](#) [38113800006](#) [DP3AR020WQ1R200](#) [Z4.102.0680.0](#) [500-1040](#) [500-1052](#) [500-1054](#) [ZP-4008-66L](#) [0709821002](#) [DX40-20P\(55\)](#) [5554841-1](#) [MS3474W18-8P-LC*](#) [U90B3054061110](#) [U65-E04-4020](#) [ZPF000000000097891](#) [747360449](#) [10099439-003C-TRLF](#) [10137239-0021LF](#) [E9320-001-01](#) [10137239-0011LF](#) [70289-001LF](#) [70.060.1028.0](#) [109029-ZZ](#)