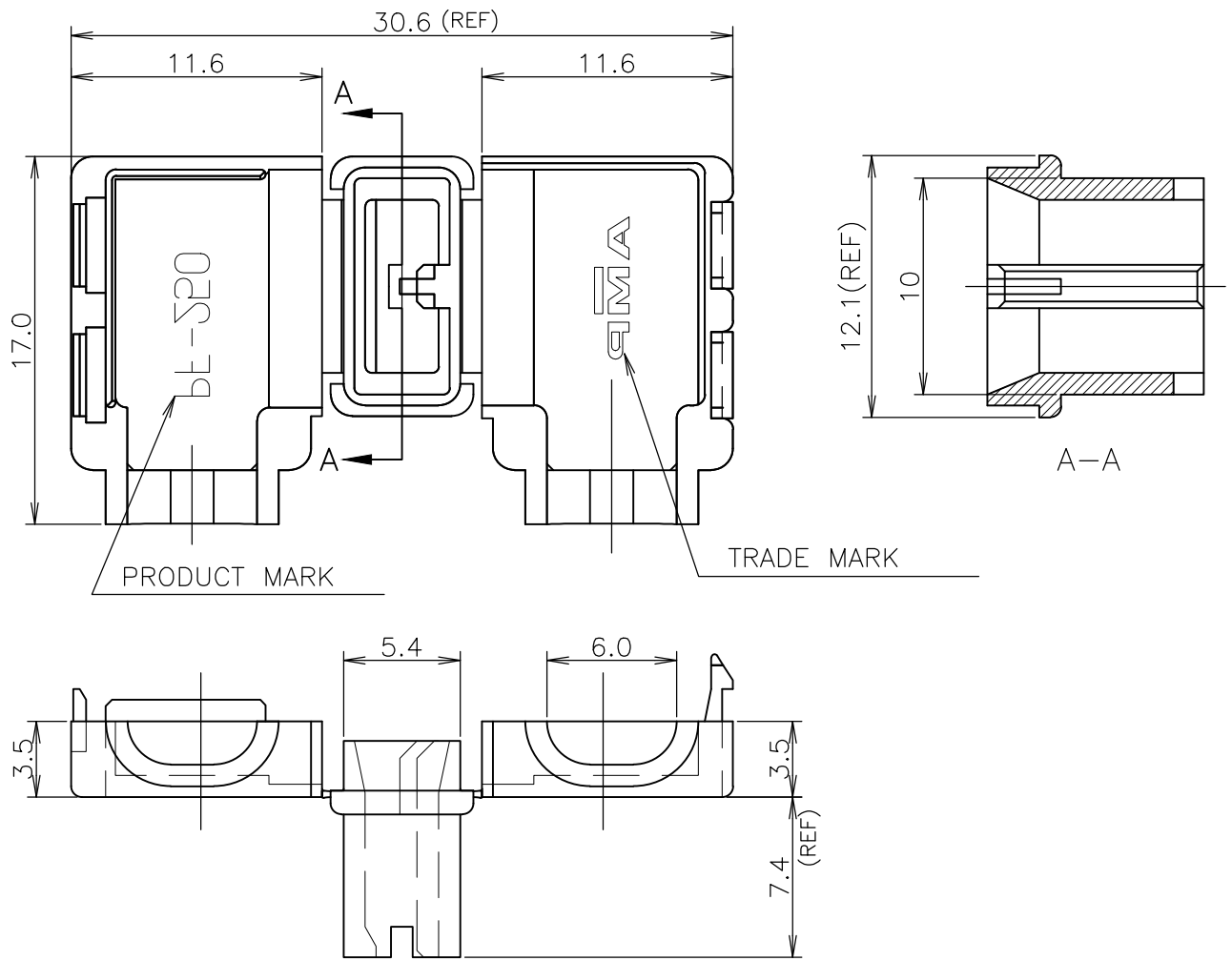


LOC J	DIST /	REVISIONS			DATE	DWN	APVD
P	LTR	DESCRIPTION					
	H6	REVISED PER ECR-20-008104			07AUG2020	LZ	EW



1 APPLICABLE CONTACT P/N: 175057-1

2 OBSOLETE PARTS: OBSOLETE CIS STERAMLINING PER D.RENAUD/D.SINSI

3 OBSOLETE PARTS

3	GWT,94V-0	(NATURAL)	7-176497-1
	94V-0	(BLACK)	1-176497-9
	94V-0	(RED)	1-176497-7
	94V-0	(BLUE)	1-176497-6
	94V-0	(YELLOW)	1-176497-4
	94V-0	(NATURAL)	1-176497-1
	94V-2	(BLACK)	176497-9
	94V-2	(NATURAL)	176497-1
	UL GRADE	(COLOR)	(P/N)

GENERAL TOLERANCE	
10 ≥	±0.2
30 ≥ > 10:	±0.25
100 ≥ > 30:	±0.3
ANGLES: ±3°	

RELEASED FOR PUBLICATION

ALL RIGHTS RESERVED.

THIS DRAWING IS UNPUBLISHED.

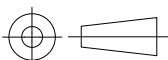
By -

© COPYRIGHT

DIMENSIONS:
mm

TOLERANCES UNLESS OTHERWISE SPECIFIED:

0 PLC	± -
1 PLC	± -
2 PLC	± -
3 PLC	± -
4 PLC	± -
ANGLES	± -



DWN	Y.FUJITA	10NOV1989
CHK	Y.FUJITA	10NOV1989
APVD	N.ONOUE	11NOV1989
PRODUCT SPEC		
APPLICATION SPEC		
WEIGHT		

WIRE RANGE	INSULATION DIA
MATERIAL	FINISH
6/6 NYLON(SEE TABLE)	仕上
2.8~4.2 mm ϕ	
TE Connectivity	
NAME	
ONE TOUCH SLEEVE	
250 SERIES FLAG POSITIVE LOCK-EX	
SIZE	CAGE CODE
A4	00779
DRAWING NO	RESTRICTED TO
C-176497	

CUSTOMER DRAWING	SCALE	SHEET	REV
	NTS	1 OF 1	H6

X-ON Electronics

Largest Supplier of Electrical and Electronic Components

Click to view similar products for [Terminals](#) category:

Click to view products by [TE Connectivity](#) manufacturer:

Other Similar products are found below :

[00-054007-01074-6](#) [00-054007-70206-1](#) [00-054007-70210-8](#) [00-054007-70217-7](#) [00-054007-70226-9](#) [00-054007-70228-3](#) [00-054007-70248-1](#) [00-054007-70256-6](#) [00-054007-70301-3](#) [00-054007-70316-7](#) [0-0320562-0](#) [00-054007-49560-4](#) [00-054007-70209-2](#) [00-054007-70225-2](#) [00-054007-70227-6](#) [00-054007-70231-3](#) [00-054007-70241-2](#) [00-054007-70242-9](#) [00-054007-70244-3](#) [00-054007-70246-7](#) [00-054007-70263-4](#) [00-054007-70288-7](#) [00-054007-70290-0](#) [00-054007-70300-6](#) [00-054007-70304-4](#) [01-2065-1-0216](#) [01-2900-1-04412](#) [00581P0075](#) [600TS-10](#) [60205-1](#) [604200-1](#) [605601-1](#) [60598-1-CUT-TAPE](#) [61314-6-C](#) [61810-3](#) [61-S](#) [61-SN](#) [626-0194](#) [62-NBM-A](#) [62-SN](#) [62-SP](#) [63-S](#) [640179-1](#) [M55155/059I03](#) [M55155/079C01](#) [M55155/099H02](#) [M55155/109H01](#) [M55155/109H02](#) [M55155/12XH05](#) [M55155/16XH02](#)