

4

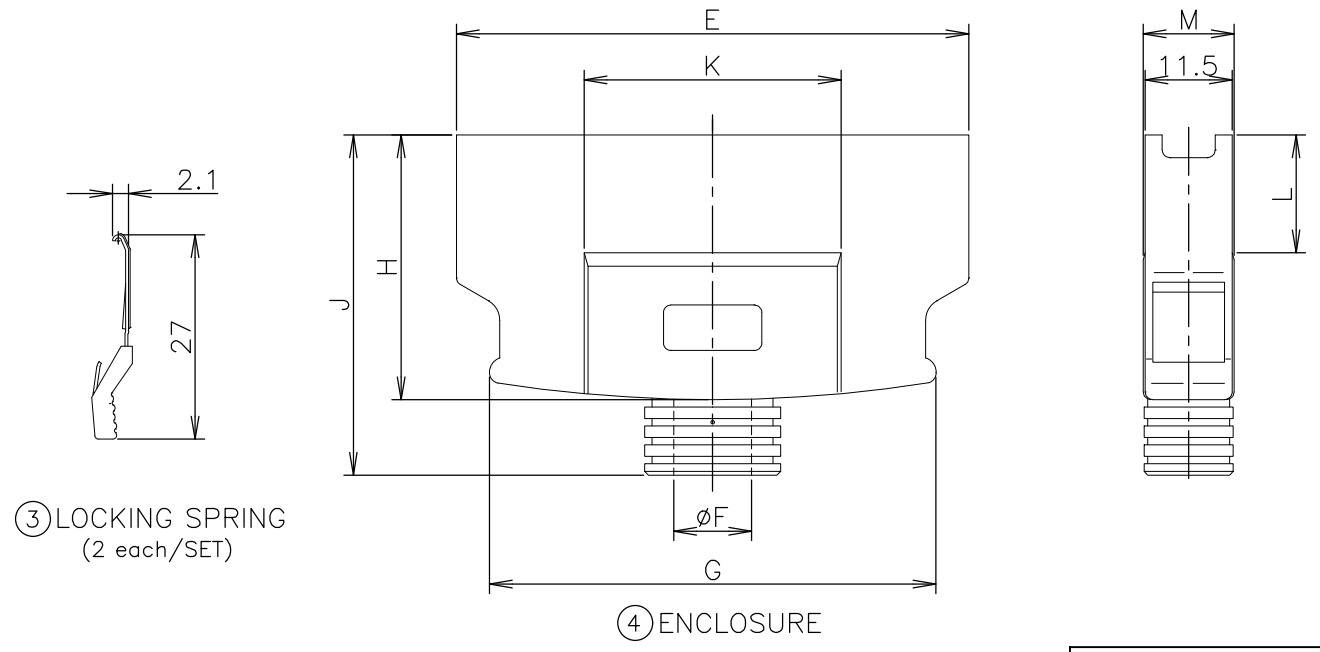
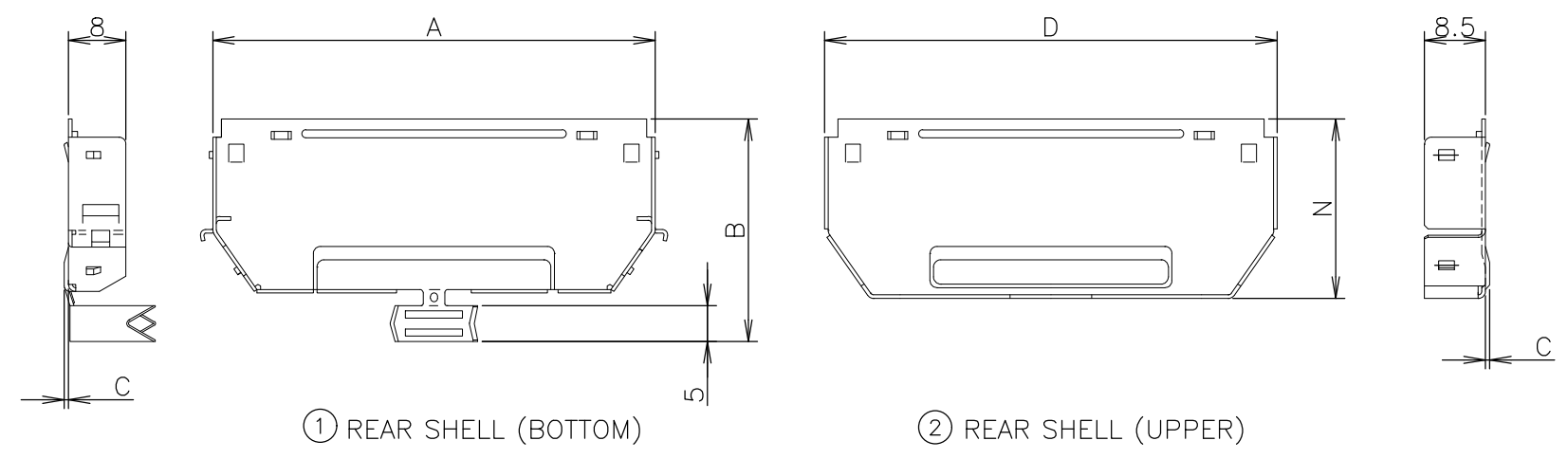
3

2

1

THIS DRAWING IS UNPUBLISHED. RELEASED FOR PUBLICATION .OCT 2000
 © COPYRIGHT 2000 By - ALL RIGHTS RESERVED.

LOC	DIST	REVISIONS			
P	LTR	DESCRIPTION	DATE	DWN	APVD
J		REVISED PER ECO-20-000695	27JAN2020	VM	SH



1 - -0; AS SHOWN

80	61.80	31	0.6	63.10	67.75	10.3	59.05	35	45	34	15.6	11.8	25
100	74.50	33	1.3	75.80	80.45	11.2	71.75	37	47	38	12.5	13.5	27
68	54.18	28	0.6	55.48	60.13	9.8	51.43	32	42	30	14.3	12.0	22
50	42.75	28	*	44.05	48.70	8.7	40.00	32	42	13	*	11.5	22
36	33.86	28	*	35.16	39.81	8.1	31.11	32	42	13	*	11.5	22
26	27.51	28	*	28.81	33.46	7.1	24.76	32	42	13	*	11.5	22
20	23.70	28	*	25.00	29.65	6.7	20.95	32	42	13	*	11.5	22
14	19.89	28	*	21.19	25.84	6.3	17.14	32	42	13	*	11.5	22
POSN	A	B	C	D	E	F	G	H	J	K	L	M	N

GENERAL TOLERANCE
 10 ≥ : ±0.2
 30 ≥ > 10: ±0.25
 100 ≥ > 30: ±0.3
 ANGLES: ±3°

ITEM	MATERIAL	FINISH
①②	STEEL t=0.5	NICKEL PL. OVER COPPER PL.
③	STAINLESS STEEL	
	THERMOPLASTIC UL94V-0	
④	G.F THERMOPLASTIC UL94V-0	COLOR:SEE ANOTHER TABLE

RECOMMENDED CABLE DIA	COLOR	POSN	P/NO.
OBSOLETE		80	3-176793-0
OBSOLETE		100	2-176793-9
OBSOLETE		68	2-176793-8
OBSOLETE		50	2-176793-7
OBSOLETE		36	2-176793-5
OBSOLETE		26	2-176793-4
5.4~6.5		20	2-176793-2
OBSOLETE	BLACK	14	2-176793-1
OBSOLETE		80	1-176793-0
9.9~11.0		100	1-176793-9
8.1~9.6		68	1-176793-8
OBSOLETE		50	1-176793-7
OBSOLETE		36	1-176793-5
OBSOLETE		26	1-176793-4
OBSOLETE		20	1-176793-2
OBSOLETE	BEIGE WHITE	14	1-176793-1

THIS DRAWING IS A CONTROLLED DOCUMENT.

DIMENSIONS: mm	TOLERANCES UNLESS OTHERWISE SPECIFIED: 0 PLC ± 1 PLC ± 2 PLC ± 3 PLC ± 4 PLC ± ANGLES ±
MATERIAL SEE TABLE	FINISH SEE TABLE

DWN T.KAWAMAE 100CT00
CHK H.MURAMATSU 110CT00
APVD H.MURAMATSU 110CT00
PRODUCT SPEC 108-5288
APPLICATION SPEC 114-5166
WEIGHT

STE TE Connectivity Ltd.

SHIELD CASE KIT WITHOUT LOGO
 CHAMP.050 SERIES II STD-TYPE

SIZE A3	CAGE CODE 00779	DRAWING NO C-176793	RESTRICTED TO
---------	-----------------	---------------------	---------------

CUSTOMER DRAWING SCALE 1:1 SHEET 1 OF 1 REV J

X-ON Electronics

Largest Supplier of Electrical and Electronic Components

Click to view similar products for [D-Sub Backshells](#) category:

Click to view products by [TE Connectivity](#) manufacturer:

Other Similar products are found below :

[600X51137X](#) [600X54009X](#) [M85049/6-38N](#) [M85049/86-12N03](#) [M85049/90-13P03](#) [70.350.0636.4](#) [70.350.2435.1](#) [72.350.1035.2](#)
[72.352.2435.1](#) [73.359.4035.3](#) [829472-1](#) [PCS-E20W](#) [970-015-040R011](#) [971-009-030R121](#) [971-009-040R011](#) [971-015-040R011](#) [DPH-B-003](#)
[1437013-9](#) [1484402-8](#) [156-3025-EX](#) [16-500800](#) [165X02659X](#) [165X03329A](#) [165X03399A](#) [165X10259X](#) [165X11759X](#) [165X11889X](#)
[165X11899X](#) [165X13019X](#) [165X13029X](#) [165X13169X](#) [165X13199X](#) [165X13239X](#) [165X13389X](#) [165X13489X](#) [165X14219X](#)
[165X14429X](#) [165X14449X](#) [165X17409X](#) [165X17439X](#) [165X17569X](#) [165X17599X](#) [165X17609X](#) [165X17889X](#) [165X17979X](#) [L171373](#)
[971-025-030R121](#) [300X10989X](#) [165X02609X](#) [165X02639X](#)