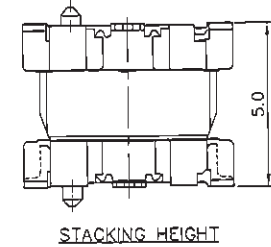
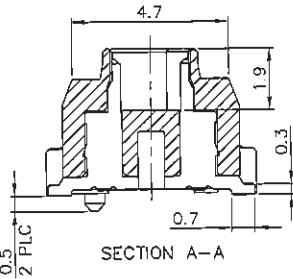
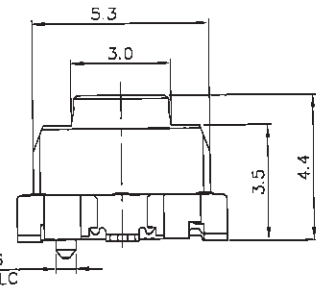
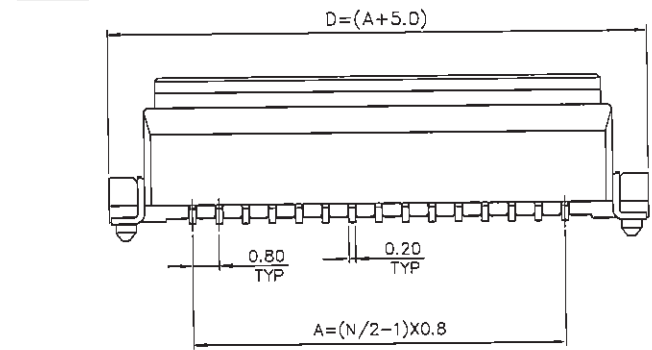
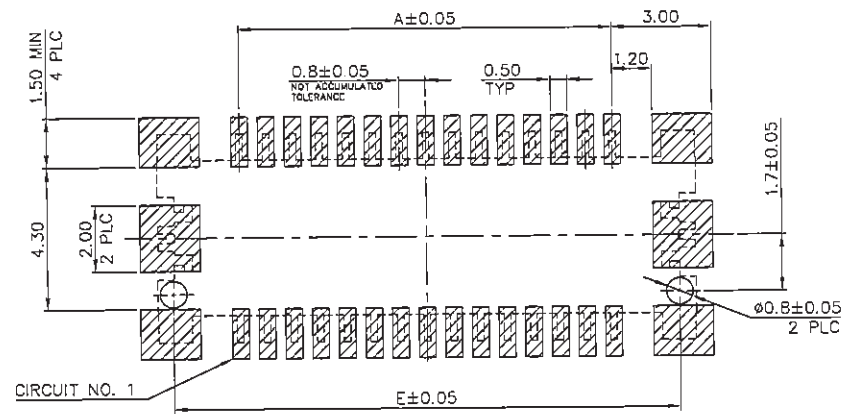
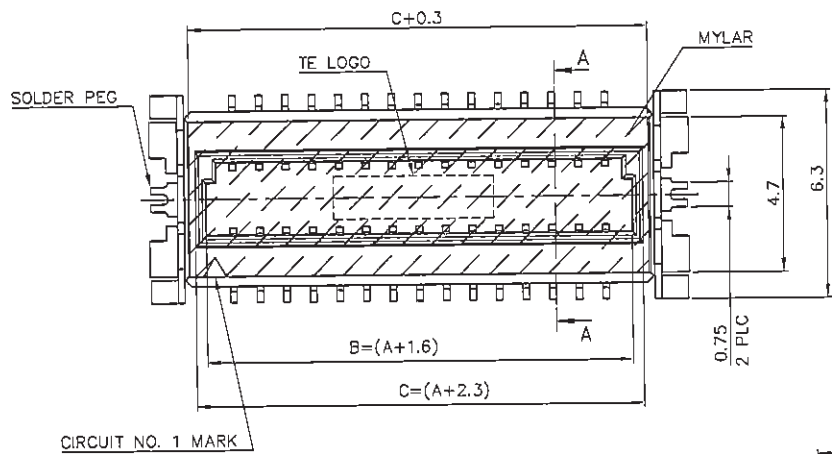


THIS DRAWING IS UNPUBLISHED. RELEASED FOR PUBLICATION. ALL RIGHTS RESERVED.

© COPYRIGHT 2013 BY TE CONNECTIVITY.

LOC	DIST	REVISIONS			DATE	DWN	APVD
P	LYR	DESCRIPTION					
DW	-				10OCT15	I.T	W.H
E		ECR-15-001514					



RECOMMENDED PCB LAYOUT

- NOTES:
- MATERIAL:
HOUSING: PA6T, UL94 V-0, NATURAL COLOR.
CONTACTS: PHOSPHOR BRONZE.
PEGS: BRASS.
 - FINISH:
CONTACTS: (SEE TABLE)
PLATING A: 100µ" MIN. MATTE-TIN ON ENTIRE CONTACT.
PLATING B: GOLD FLASH.
(WITH ENTIRE CONTACT UNDERPLATED 50µ" MIN. NICKEL)
PEGS: 100µ" MIN. TIN OR MATTE-TIN OVER 50µ" MIN. NICKEL.
 - PART NUMBER OF MATING RECEPTACLE: X-1775013-X
 - REFLOW SOLDER CAPABLE TO 260°C AS PER TEC-109-201, CONDITION B.

CONTACT PLATING	DIMENSIONS					NO. OF CONTACTS	PART NUMBER
	E	D	C	B	A		
A	15.2	16.2	13.5	8.8	11.2	30	3-1775015-0
	11.2	12.2	9.5	12.8	7.2	20	2-1775015-0
	8	9	6.3	5.6	4.0	12	1-1775015-2
B	11.2	12.2	9.5	8.8	7.2	20	1775015-5
	15.2	16.2	13.5	12.8	11.2	30	1775015-3
	8	9	6.3	5.6	4.0	12	1775015-1

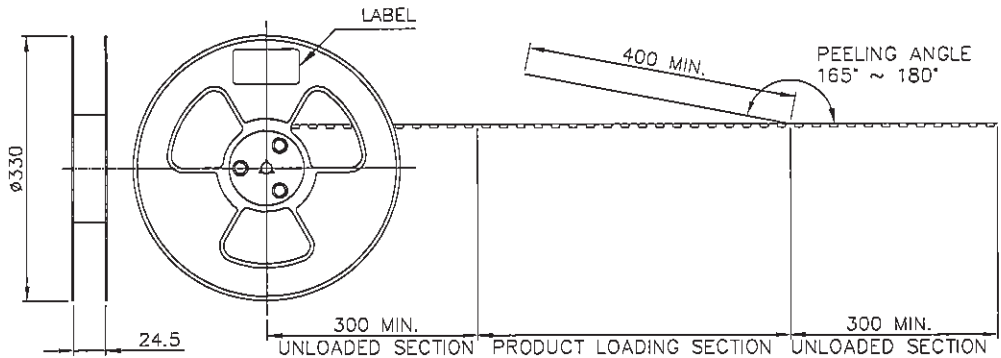
5. SUBSTANCE RESTRICTIONS FOR LOW HALOGEN (BY WEIGHT):
BROMINE (Br) ≤ 900 PPM (0.09%)
CHLORINE (Cl) ≤ 900 PPM (0.09%)
TOTAL CONCENTRATION OF (Cl) + (Br) ≤ 1500 PPM (0.15%)

THIS DRAWING IS A CONTROLLED DOCUMENT.		DWN	11JUN2007
DIMENSIONS: MM		A. WU	
TOLERANCES UNLESS OTHERWISE SPECIFIED:		CHK	11JUN2007
0 PLC	± -	S. HQV	
1 PLC	± 0.2	APVD	11JUN2007
2 PLC	± 0.15	W.J. KE	
3 PLC	± -	NAME	
4 PLC	± -	PRODUCT SPEC	
ANGLES	* -	108-57488	
MATERIAL	SEE NOTE	APPLICATION SPEC	
FINISH	SEE NOTE	WEIGHT	SEE TABLE
		CUSTOMER DRAWING	

		BOARD TO BOARD CONNECTOR, 0.8mm PITCH, FINE-STACK, 5H, PLUG	
		SIZE	A3
DATE	10OCT15	DRAWING NO	C-1775015
CAGE CODE	00779	RESTRICTED TO	
SHEET	1 of 2	REV	E

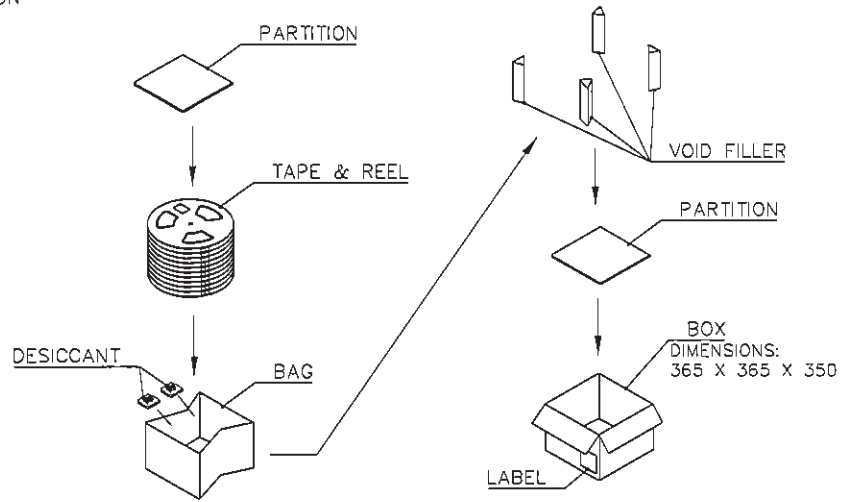
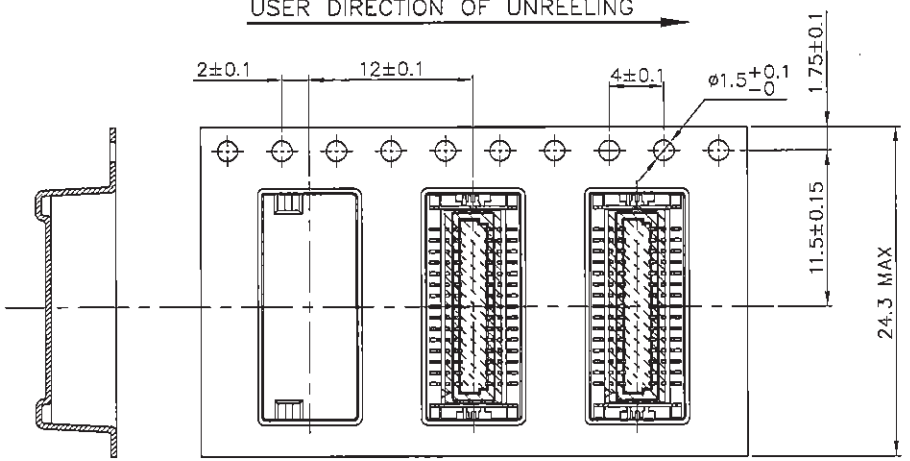
THIS DRAWING IS UNPUBLISHED. RELEASED FOR PUBLICATION
 © COPYRIGHT 2015 BY TE CONNECTIVITY. ALL RIGHTS RESERVED.

Loc	DW	DIST	-	REVISIONS		
P	LYR	DESCRIPTION	DATE	DWN	APVD	
		SEE SHEET 1				



- NOTES:
- MATERIAL:
 BOX: FIBREBOARD, CORRUGATED, DOUBLE WALL.
 COVER TAPE: PET, TRANSPARENT COLOR.
 CARRIER TAPE: POLYSTYRENES, TRANSPARENT COLOR.
 REEL: HIPS, BLUE COLOR.
 BAG: POLYETHYLENES, TRANSPARENT COLOR.
 - EACH BAG SHALL BE INCLUDED DESICCANT.
 - PEELING STRENGTH: 0.1 ~ 1.3 N (10 ~ 130 GRAMS).
 - PEELING SPEED: 300 mm/min.

USER DIRECTION OF UNREELING →



8000	800	10	9.42	3.28	30
			10.25	4.55	20
			8.5	2.5	12
PCS /BOX	PCS /REELS	REELS /BOX	GROSS WEIGHT (Kg)	NET WEIGHT (Kg)	NO. OF CONTACTS

THIS DRAWING IS A CONTROLLED DOCUMENT.

DIMENSIONS: MM	TOLERANCES UNLESS OTHERWISE SPECIFIED:	DWN	TE Connectivity
	0 PLC +- 1 PLC +- 2 PLC +- 3 PLC +- 4 PLC +- ANGLES +-	CHK	NAME
MATERIAL	FINISH	APVD	PRODUCT SPEC
			APPLICATION SPEC
			WEIGHT
			SIZE CAGE CODE DRAWING NO
			RESTRICTED TO
			A3 00779 C-1775015
			CUSTOMER DRAWING
			SCALE SHEET 2 of 2 REV E

BOARD TO BOARD CONNECTOR, 0.8mm PITCH, FINE-STACK, 5H, PLUG

X-ON Electronics

Largest Supplier of Electrical and Electronic Components

Click to view similar products for [Automotive Connectors](#) category:

Click to view products by [TE Connectivity](#) manufacturer:

Other Similar products are found below :

[003-018-000](#) [60403001](#) [60993906-B](#) [M902-2131](#) [M902-2161](#) [M902-2344](#) [72.330.1035.1](#) [73.353.4028.0](#) [F119300-B](#) [F166900](#) [F258300-B](#)
[F358300-B](#) [F407400](#) [F444110](#) [F487000](#) [F509500B-B](#) [827153-1](#) [8N1515-32-24P](#) [9-1326729-8](#) [925474-1](#) [928905-1](#) [964562-4](#) [968782-1](#)
[GT17SA-8DS-HU](#) [98891-1012](#) [98947-1016](#) [12004147](#) [12004475-L](#) [12010290](#) [12010309-B](#) [12015454](#) [12020219-B](#) [12041318-B](#) [12052225-](#)
[L](#) [12052466](#) [12064869](#) [12004327-B](#) [12015308](#) [12015384](#) [12015909](#) [1-21030-1](#) [12041254](#) [12041318](#) [12047946-B](#) [12047957](#) [12047957-L](#)
[12059473](#) [12066261](#) [12110546](#) [12110546-B](#)