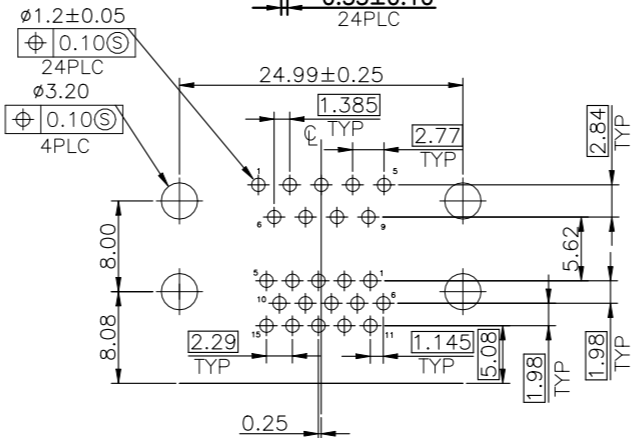
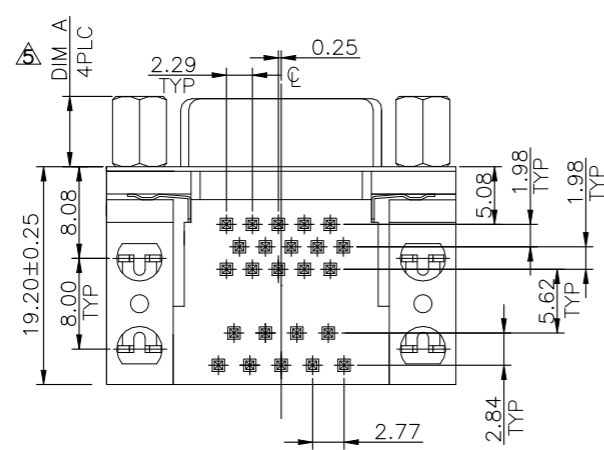
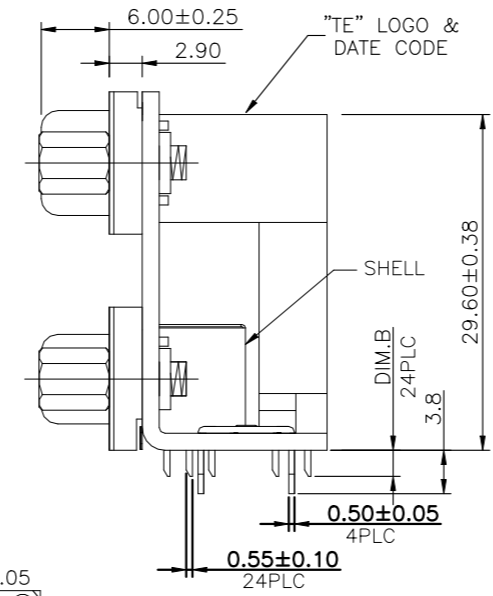
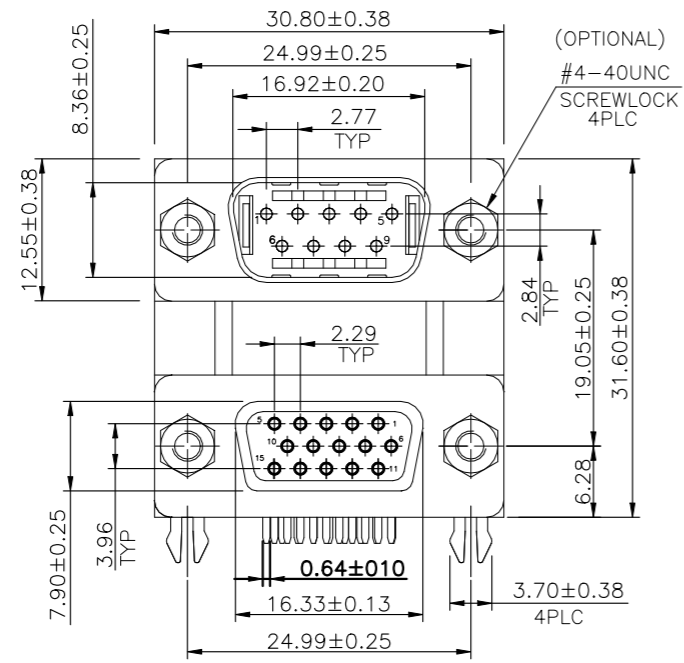


REVISIONS					
P	LTR	DESCRIPTION	DATE	DWN	APVD
	D	ECO-21-004845	16APR2021	RR	SZ

NOTES:

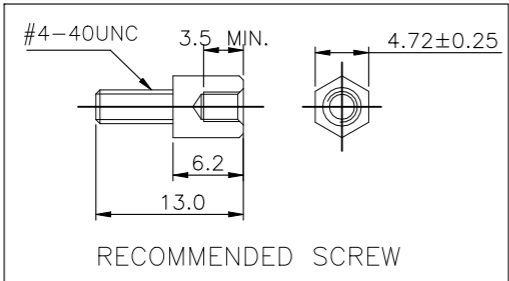
- MATERIAL:
  - HOUSING: THERMOPLASTIC(NYLON 6T), UL94V-0  
D-SUB 9M COLOR: TURQUOISE (322C)  
D-SUB 15F COLOR: BLUE (661C)
  - CONTACTS: BRASS
  - SHELL: STEEL
  - BOARDLOCK: BRASS
- FINISH:
  - CONTACTS: GOLD PLATED(SEE TABLE) ON CONTACT AREA 100u" MIN. BRIGHT TIN PLATED ON SOLDER TAILS 50u" MIN. NICKEL UNDERPLATED ALL OVER (FOR PN 2-1775210-1 & 2-1775210-2)  
GOLD PLATED(SEE TABLE) ON CONTACT AREA 100u" MIN. MATTE TIN PLATED ON SOLDER TAILS 50u" MIN. NICKEL UNDERPLATED ALL OVER
  - SHELL: 50u" MIN NICKEL PLATED
  - BOARDLOCK: 100u" MIN BRIGHT TIN PLATED 50u" MIN. NICKEL UNDERPLATED ALL OVER (FOR PN 2-1775210-1 & 2-1775210-2)  
100u" MIN MATTE TIN PLATED 50u" MIN. NICKEL UNDERPLATED ALL OVER
- RECOMMENDED PCB THICKNESS 1.6mm
- WAVE SOLDER CAPABLE TO 265°C PER TE SPEC. 109-202, CONDITION B

△ DIM A IS SCREW HEAD LENGTH



RECOMMENDED P.C.B. LAYOUT TOLERANCE: ±0.05

OBSOLETE



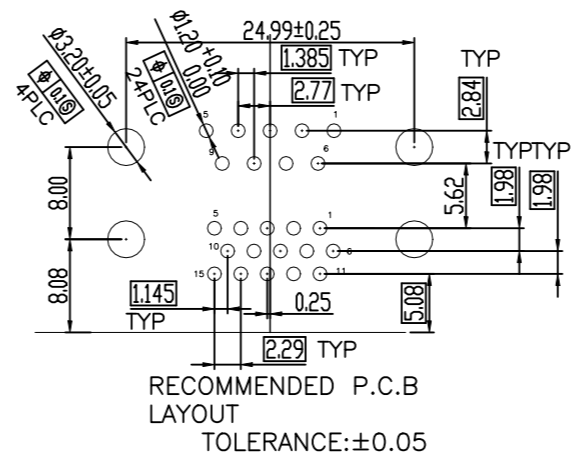
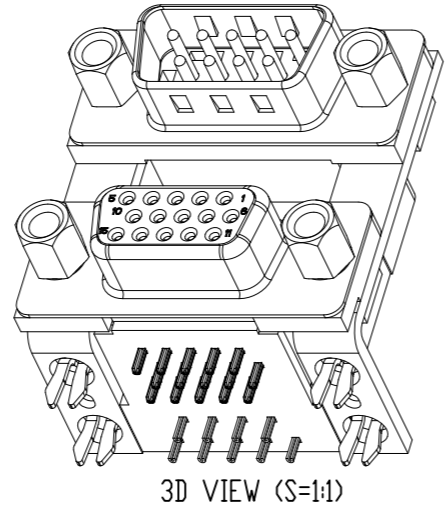
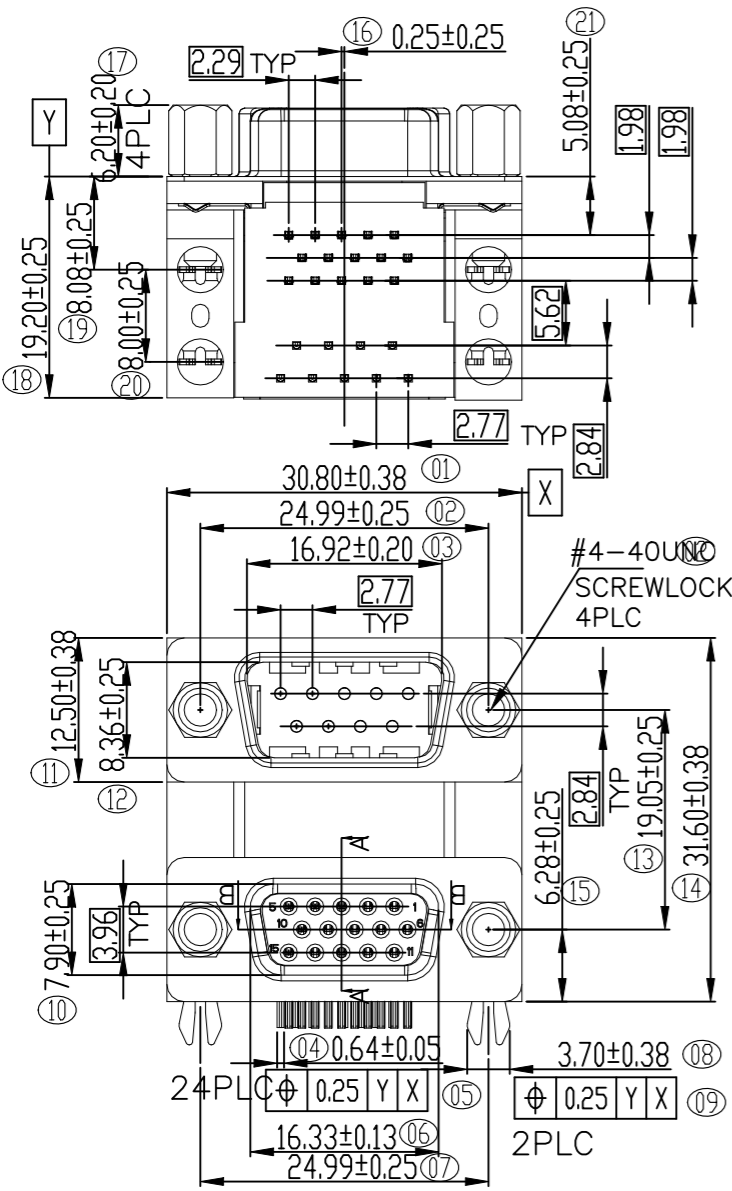
	W/O	W/O	G/F	3.18±0.38	6.2	1-1775210-4
EOL	W/O	W/	G/F	3.18±0.38	6.2	1-1775210-3
	W/	W/O	G/F	3.18±0.38	6.2	1-1775210-2
	W/	W/	G/F	3.18±0.38	6.2	1-1775210-1
EOL	W/O	W/O	G/F	3.18±0.38	4.8	1775210-4
	W/O	W/	G/F	3.18±0.38	4.8	1775210-3
EOL	W/	W/O	G/F	3.18±0.38	4.8	1775210-2
EOL	W/	W/	G/F	3.18±0.38	4.8	1775210-1
	SCREWLOCK	SHELL	GOLD THK.	DIM B	△ DIM A	PART NUMBER

THIS DRAWING IS A CONTROLLED DOCUMENT.	
DIMENSIONS: mm	TOLERANCES UNLESS OTHERWISE SPECIFIED: 0 PLC ± - 1 PLC ± 0.3 2 PLC ± 0.2 3 PLC ± - 4 PLC ± - ANGLES ± 3°
MATERIAL	FINISH

DWN S. CHIEN 20MAR2015	TE Connectivity Ltd.	
CHK S. CHIEN 20MAR2015		
APVD W. KODAMA 20MAR2015	NAME	
PRODUCT SPEC 108-57203	D-SUB 5.08mm, 9 POS PLUG OVER 15 POS RCPT	
APPLICATION SPEC 501-57200	SIZE	CAGE CODE
WEIGHT 26.0 GRAMS	A3	00779
CUSTOMER DRAWING	DRAWING NO C-1775210	RESTRICTED TO
SCALE 1:1	SHEET 1 OF 3	REV D

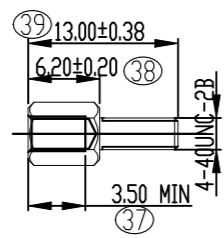
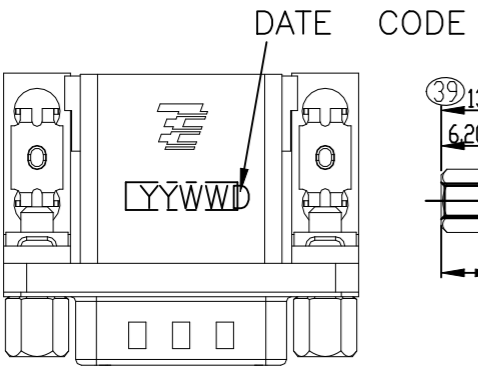
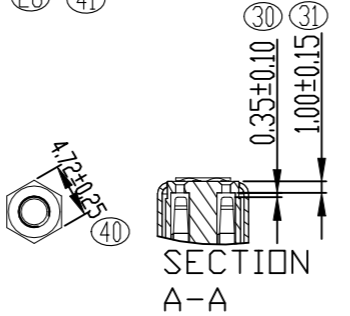
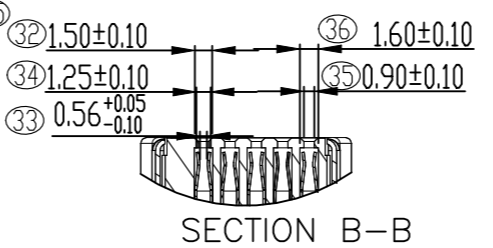
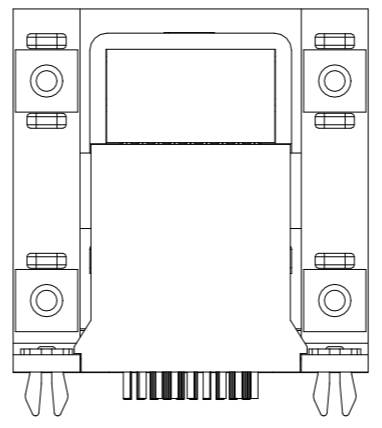
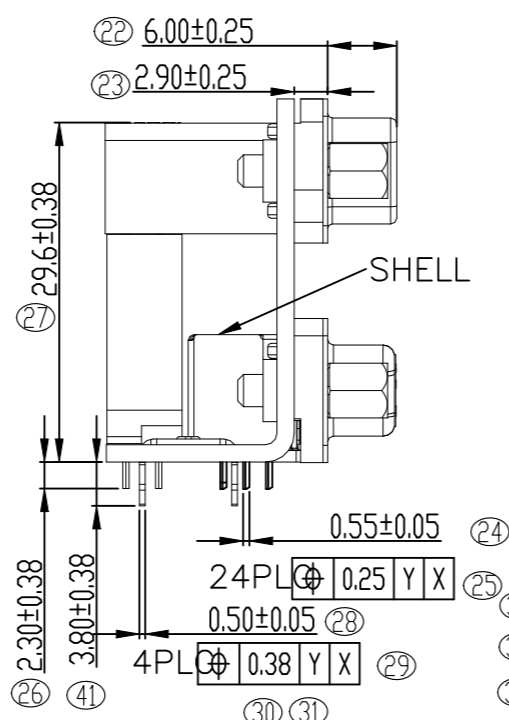
REVISIONS

P	LTR	DESCRIPTION	DATE	DWN	APVD
-	-	SEE SHEET 1	-	-	-



NOTES:

- MATERIAL:
  - HOUSING: THERMOPLASTIC(NYLON 6T), UL94V-0  
D-SUB 9M COLOR: TURQUOISE (322C)  
D-SUB 15F COLOR: BLUE (661C)
  - CONTACTS: BRASS
  - SHELL: SPCC
  - BOARDLOCK: BRASS
- FINISH:
  - CONTACTS: GOLD PLATED(SEE TABLE) ON CONTACT AREA  
(FOR PN 2-1775210-1 & 2-1775210-2)  
GOLD PLATED(SEE TABLE) ON CONTACT AREA  
100u" MIN. MATTE TIN PLATED ON SOLDER TAILS  
50u" MIN. NICKEL UNDERPLATED ALL OVER
  - SHELL: 50u" MIN NICKEL PLATED
  - BOARDLOCK:(FOR PN 2-1775210-1 & 2-1775210-2)  
100u" MIN MATTE TIN PLATED  
50u" MIN. NICKEL UNDERPLATED ALL OVER
- RECOMMENDED PCB THICKNESS 1.6mm
- WAVE SOLDER CAPABLE TO 265°C PER TE SPEC. 109-202, CONDITION B
- DIM A IS SCREW HEAD LENGTH



W/	W/O	30u" MIN	2-1775210-2
W/	W/	30u" MIN	2-1775210-1
SCREWLOCK	SHELL	GOLD THK.	PART NUMBER

THIS DRAWING IS A CONTROLLED DOCUMENT.

DIMENSIONS: mm	TOLERANCES UNLESS OTHERWISE SPECIFIED: 0 PLC ± 0.5 1 PLC ± 0.38 2 PLC ± 0.25 3 PLC ± - 4 PLC ± - ANGLES ± 3°	DWN S. CHIEN 20MAR2015 CHK S. CHIEN 20MAR2015 APVD W. KODAMA 20MAR2015 PRODUCT SPEC 108-57203 APPLICATION SPEC 501-57200 WEIGHT 26.0 GRAMS	NAME D-SUB 5.08mm, 9 POS PLUG OVER 15 POS RCPT
MATERIAL -	FINISH -	CUSTOMER DRAWING	RESTRICTED TO -

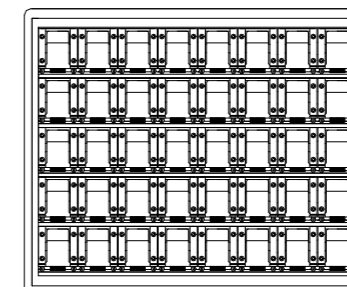
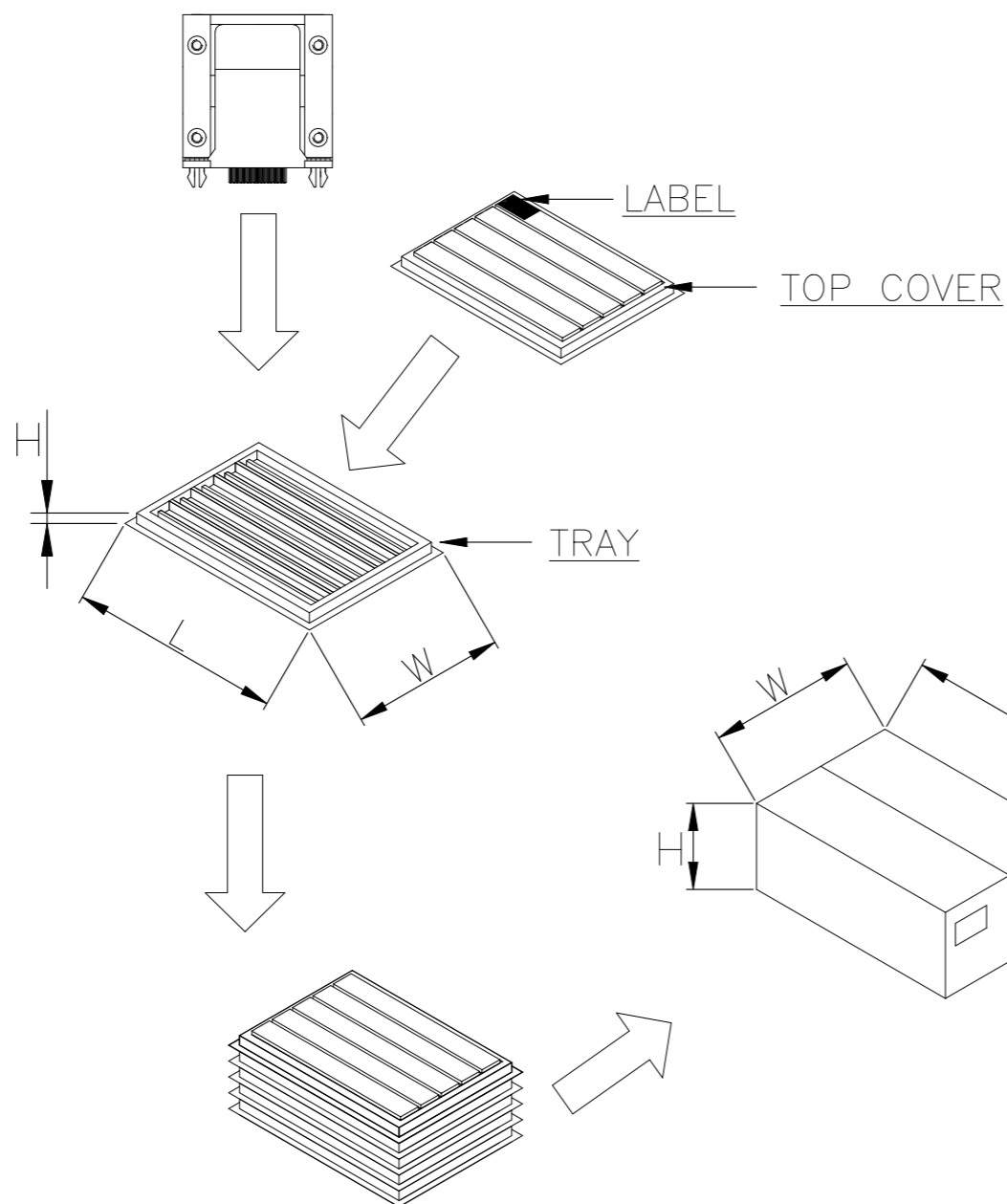
SCALE 1:1 SHEET 2 OF 3 REV D

REVISIONS


P	LTR	DESCRIPTION	DATE	DWN	APVD
-	-	SEE SHEET 1	-	-	-

NOTES:

- 1. MATERIAL:
  - 1.1 TRAY: PVC
  - 1.2 SHIPPING CARTON: CORRUGATED FIBERBOARD
- 2. DIMENSION:
  - 2.1 TRAY: L=285, W=270, H=30
  - 2.2 CARTON: L=298, W=283, H=170
- 3. QUANTITY:
  - 3.1 40 PCS/TRAY
  - 3.2 5 TRAYS/CARTON (200 PCS)
- 4. WEIGHT:
  - 4.1 NET WEIGHT: 5KG/CARTON
  - 4.2 GROSS WEIGHT: 6KG/CARTON



TRAY LAYOUT

THIS DRAWING IS A CONTROLLED DOCUMENT.		DWN S. CHIEN 20MAR2015	 TE Connectivity Ltd.														
DIMENSIONS: mm		CHK S. CHIEN 20MAR2015															
TOLERANCES UNLESS OTHERWISE SPECIFIED:		APVD W. KODAMA 20MAR2015	NAME														
<table border="0"> <tr> <td>0 PLC</td> <td>± -</td> </tr> <tr> <td>1 PLC</td> <td>± 0.3</td> </tr> <tr> <td>2 PLC</td> <td>± 0.2</td> </tr> <tr> <td>3 PLC</td> <td>± -</td> </tr> <tr> <td>4 PLC</td> <td>± -</td> </tr> <tr> <td>ANGLES</td> <td>± 3°</td> </tr> </table>		0 PLC	± -	1 PLC	± 0.3	2 PLC	± 0.2	3 PLC	± -	4 PLC	± -	ANGLES	± 3°	PRODUCT SPEC 108-57203	D-SUB 5.08mm, 9 POS PLUG OVER 15 POS RCPT		
0 PLC	± -																
1 PLC	± 0.3																
2 PLC	± 0.2																
3 PLC	± -																
4 PLC	± -																
ANGLES	± 3°																
MATERIAL		APPLICATION SPEC 501-57200	SIZE	CAGE CODE	DRAWING NO	RESTRICTED TO											
FINISH		WEIGHT 26.0 GRAMS	A3	00779	C-1775210	-											
CUSTOMER DRAWING			SCALE 1:1	SHEET 3 OF 3	REV D												

## X-ON Electronics

Largest Supplier of Electrical and Electronic Components

*Click to view similar products for [D-Sub Dualport Connectors](#) category:*

*Click to view products by [TE Connectivity](#) manufacturer:*

Other Similar products are found below :

[787672-3](#) [164A15909X](#) [K42X-E15S/S-A4NJ](#) [K42X-E9SS-A4NJ](#) [242A14060X](#) [164A15819X](#) [DLS2SS5AN21X](#) [241A22450X](#) [242A14180X](#)  
[241A14190X](#) [DLS4SS5AN21X](#) [178-037-513R491](#) [178-037-613R491](#) [178-009-413R571](#) [178-009-513R571](#) [178-009-613R491](#) [178-009-613R691](#) [178-015-513R571](#) [178-015-613R571](#) [178-025-513R571](#) [179-009-513R571](#) [179-009-613R571](#) [179-025-513R571](#) [179-037-513R571](#)  
[K42X-E15S/S-A4N](#) [K42X-E9S/P-A4N](#) [L17H2220131](#) [178-015-513R491](#) [178-025-613R481](#) [178-025-613R571](#) [178-037-513R571](#) [178-037-513R671](#) [L17H2220120](#) [L17H2ED0130](#) [L17H1440130](#) [L17H1770231](#) [L17H2110120](#) [L17H2440120TM](#) [L17H1431134](#) [L17H1212130](#)  
[L17H2212120](#) [L17H1222134](#) [L17H2662120TM](#) [L17H2550120](#) [L17H2440120](#) [L17H2440121](#) [L17H1120134](#) [L17H2120120](#) [L17H2120230](#)  
[L17H1440134](#)