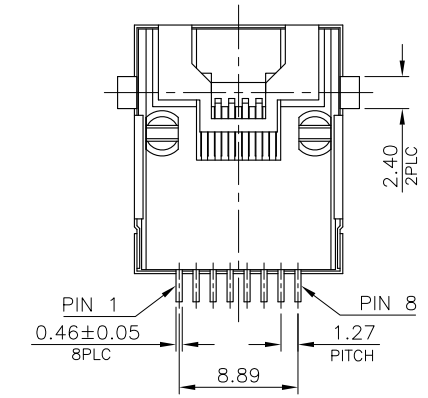
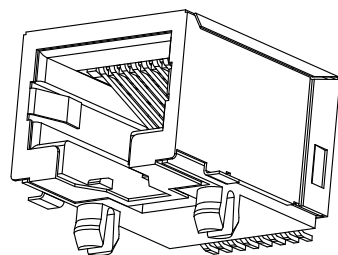
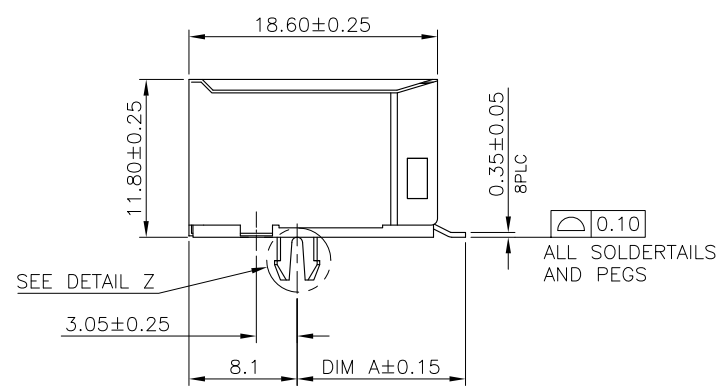
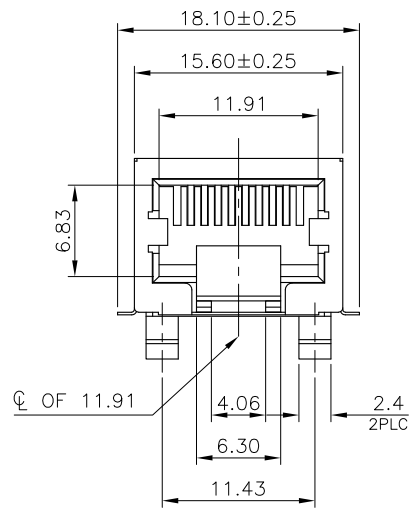
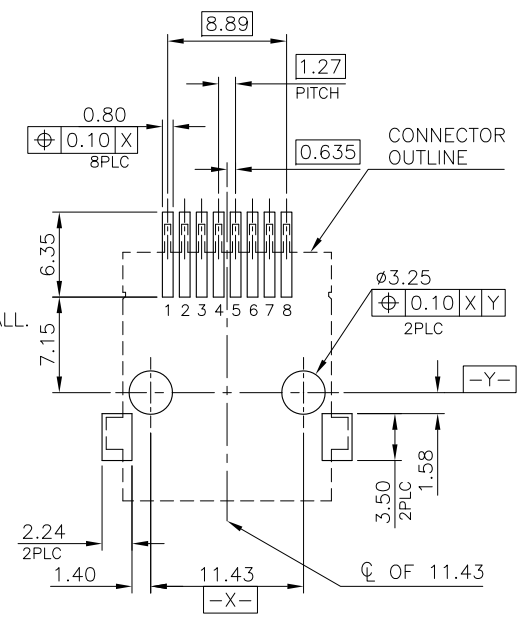


- NOTES:
- MATERIAL:
 - HOUSING : PA9T WITH 30% GF, UL94 V-0, BLACK COLOR.
 - INSERT HOUSING: PA46 WITH 30% GF, UL94 V-0, BLACK COLOR.
 - CONTACT: PHOSPHOR BRONZE.
 - SHELL: BRASS.
 - FINISH:
 - CONTACT: (SEE TABLE) GOLD PLATED ON CONTACT AREA. GOLD FLASH ON SOLDER TAIL.
 - SHELL: 0.508um [20u"] MIN. NICKEL PLATED.
 - REFLOW SOLDER CAPABLE TO 260°C PER TE SPEC. 109-201, CONDITION B.

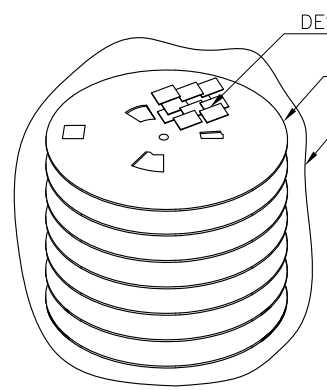
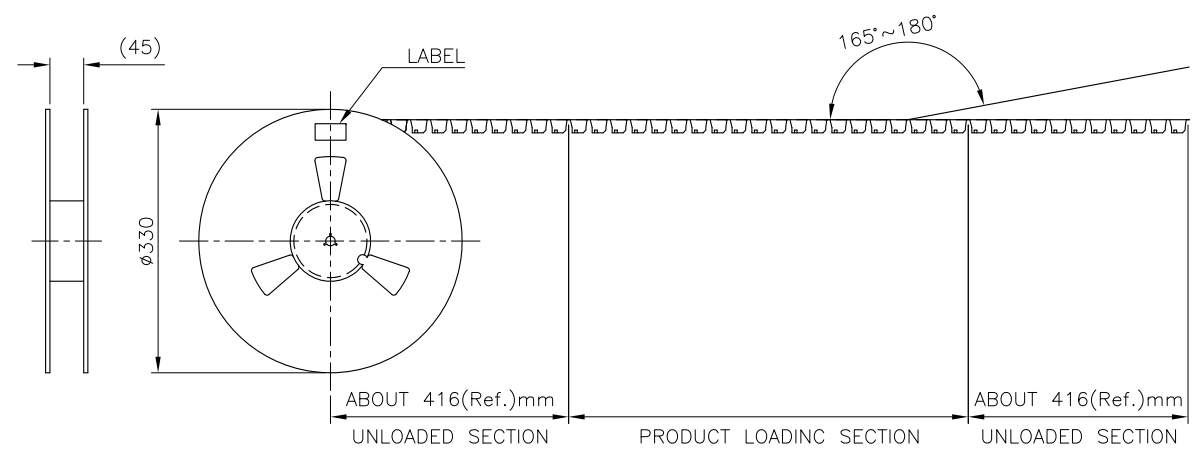


OBSOLETE	4.29	REEL TRAY	3.10	12.60	0.152um [6u"]	2-1775365-5
	4.2200	REEL	3.38		1.27um [50u"]	1-1775365-4
					0.762um [30u"]	1-1775365-3
				0.381um [15u"]	1-1775365-2	
				0.152um [6u"]	1-1775365-1	
				12.75	1.27um [50u"]	1-1775365-4
0.762um [30u"]	1-1775365-3					
					0.381um [15u"]	1-1775365-2
					0.152um [6u"]	1775365-1
	PRODUCT WEIGHT /PCS (g)	PACKAGE	DIM B	DIM A	MIN. GOLD THICKNESS	PART NUMBER

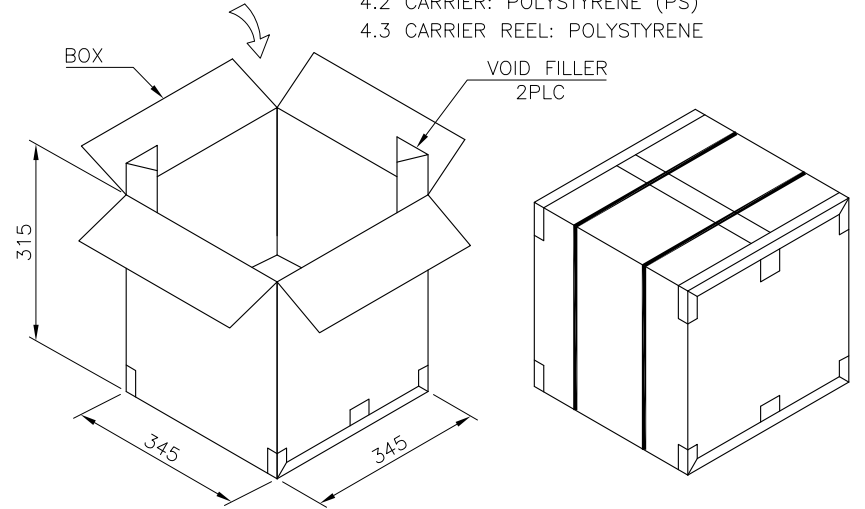
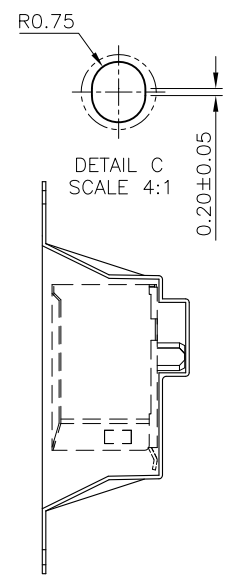
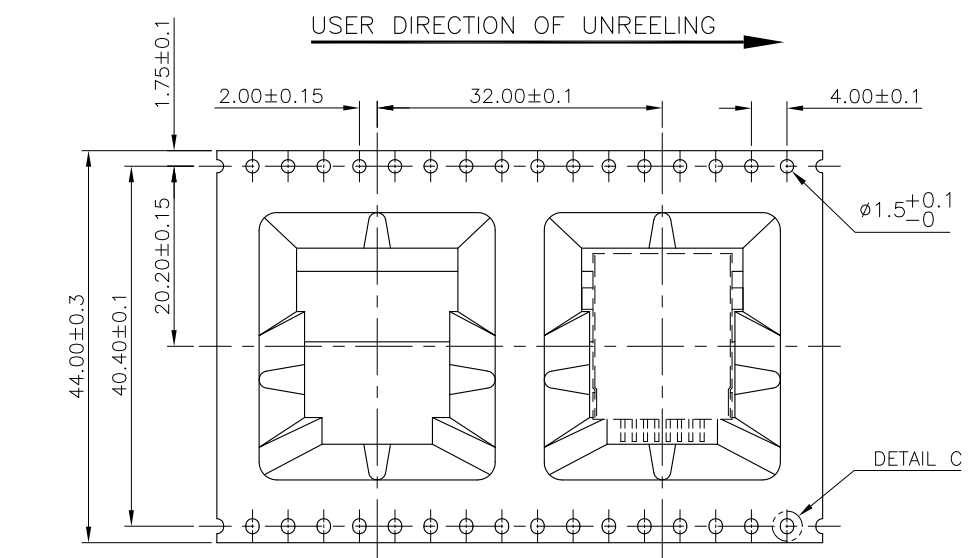
THIS DRAWING IS A CONTROLLED DOCUMENT.		DWN B. HSING 18SEP2008	TE Connectivity					
DIMENSIONS: mm		CHK S. CHIEN 18SEP2008						
TOLERANCES UNLESS OTHERWISE SPECIFIED:		APVD W. KODAMA 18SEP2008	NAME					
0 PLC ± - 1 PLC ± 0.3 2 PLC ± 0.2 3 PLC ± 0.15 4 PLC ± - ± 3°		PRODUCT SPEC 108-57535		MODULAR JACK CONNECTOR RJ45 ASSY, SIDE ENTRY, SHIELDED, TAB DOWN, SMT TYPE, H=11.8mm				
MATERIAL SEE NOTE		FINISH SEE NOTE		APPLICATION SPEC	SIZE A3	CAGE CODE 00779	DRAWING NO. C=1775365	RESTRICTED TO
		WEIGHT SEE TABLE		CUSTOMER DRAWING		SCALE	SHEET 1 OF 3	REV G

THIS DRAWING IS UNPUBLISHED. RELEASED FOR PUBLICATION
 © COPYRIGHT 2011 BY TYCO ELECTRONICS CORPORATION. ALL RIGHTS RESERVED.

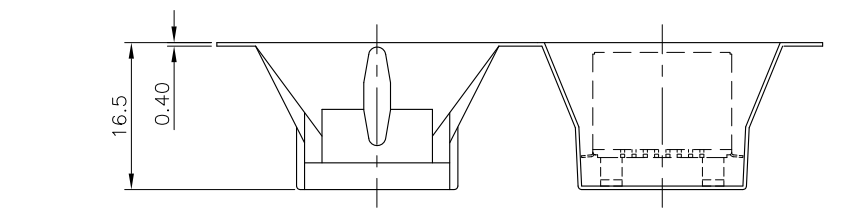
LOC	DIST	REVISIONS					
DW		P	LTR	DESCRIPTION	DATE	DWN	APVD
				SEE SHEET 1.			



- NOTE:
1. EACH BAG SHALL BE INCLUDED: *DESICCANT
 2. PEELING STRENGTH: 0.1~1.3N(1~130 GRAMS) FOR 12~56mm WIDE CARRIER TAPES
 3. PEELING SPEED: 300mm/MINUTES.
 4. PACKAGING MATERIAL:
 - 4.1 COVER TAPE: COMPOSITE OF POLYETHYLENE TEREPHTHALATE (PET)
 - 4.2 CARRIER: POLYSTYRENE (PS)
 - 4.3 CARRIER REEL: POLYSTYRENE



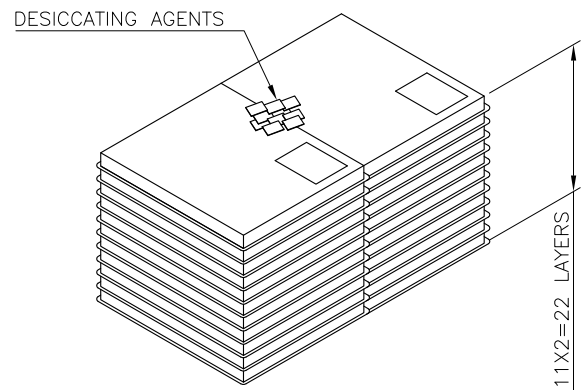
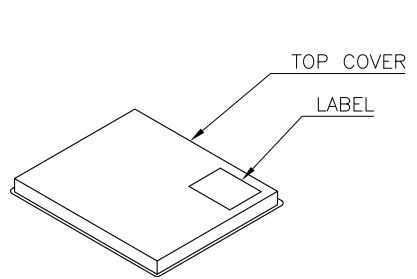
5.9 KG	2.84 KG				2-1775365-5
5.85 KG	2.79 KG	110	6	660	1-1775365-X 1775365-X
GROSS WEIGHT	NET WEIGHT	PCS/ REEL	REEL/ BOX	PCS/ BOX	PART NUMBER



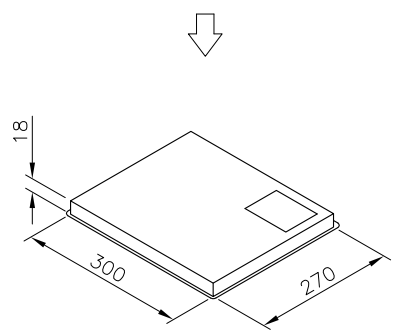
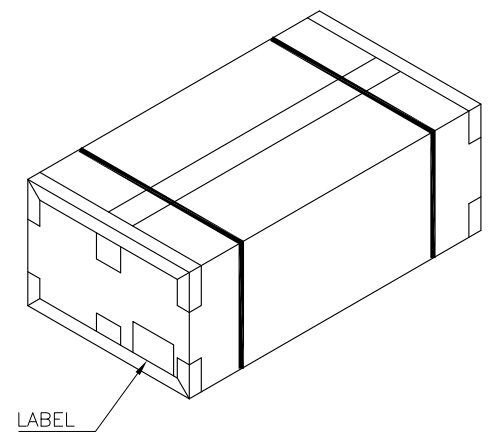
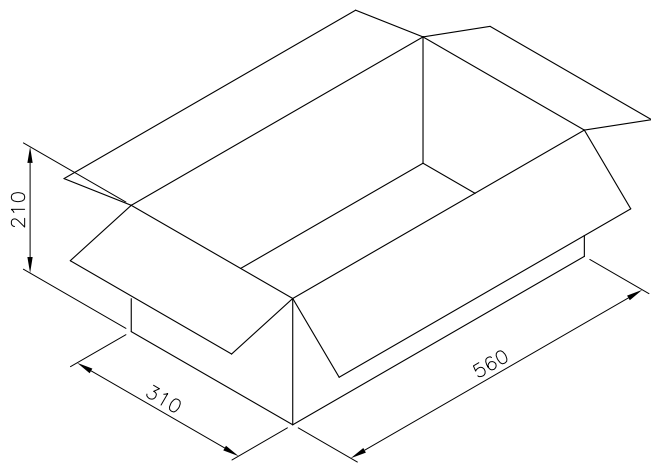
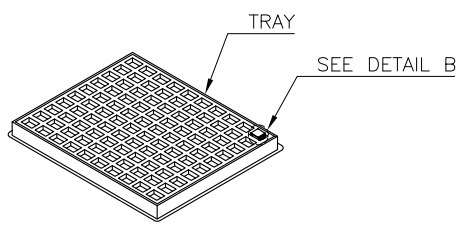
THIS DRAWING IS A CONTROLLED DOCUMENT.		DWN	TE Connectivity			
DIMENSIONS: mm		CHK	NAME			
TOLERANCES UNLESS OTHERWISE SPECIFIED:		APVD	MODULAR JACK CONNECTOR RJ45 ASSY, SIDE ENTRY, SHIELDED, TAB DOWN, SMT TYPE, H=11.8mm			
0 PLC ± 1 PLC ±0.3 2 PLC ±0.2 3 PLC ±0.15 4 PLC ± ANGLES ± 3°		PRODUCT SPEC	SIZE			
MATERIAL		APPLICATION SPEC	CAGE CODE	DRAWING NO	RESTRICTED TO	
FINISH		WEIGHT	A3	00779	C=1775365	
CUSTOMER DRAWING			SCALE	SHEET	2 of 3	REV G

THIS DRAWING IS UNPUBLISHED. RELEASED FOR PUBLICATION
 © COPYRIGHT 2011 BY TYCO ELECTRONICS CORPORATION. ALL RIGHTS RESERVED.

LOC	DIST	REVISIONS					
DW		P	LTR	DESCRIPTION	DATE	DWN	APVD
				SEE SHEET 1.			



- NOTES:
- MATERIAL:
 - 1.1 TRAY: PVC.
 - 1.2 BOX: CORRUGATED FIBER.
 - DIMENSION: SEE DRAWING
 - QUANTITY: SEE TABLE
 - WEIGHT: SEE TABLE
 - EACH BAG SHALL BE INCLUDED: DESICCANT



14.1 KG	9.5 KG	100	22	2200	2-1775365-1
GROSS WEIGHT	NET WEIGHT	PCS/ TRAY	TRAY/ BOX	PCS/ BOX	PART NUMBER

THIS DRAWING IS A CONTROLLED DOCUMENT.		DWN	-		
DIMENSIONS: mm		CHK	-		
TOLERANCES UNLESS OTHERWISE SPECIFIED:		APVD	-		
0 PLC ± -		PRODUCT SPEC	-		
1 PLC ± 0.3		APPLICATION SPEC	-		
2 PLC ± 0.2		WEIGHT	-		
3 PLC ± 0.15		CUSTOMER DRAWING	-		
4 PLC ± -		SCALE	-		
ANGLES ± 3'		SHEET	3 of 3		
MATERIAL		FINISH	-		
		RESTRICTED TO	-		

STE TE Connectivity

MODULAR JACK CONNECTOR
 RJ45 ASSY, SIDE ENTRY, SHIELDED,
 TAB DOWN, SMT TYPE, H=11.8mm

SIZE: A3 CAGE CODE: 00779 DRAWING NO: C-1775365

REV: G

X-ON Electronics

Largest Supplier of Electrical and Electronic Components

Click to view similar products for [Modular Connectors / Ethernet Connectors](#) category:

Click to view products by [TE Connectivity](#) manufacturer:

Other Similar products are found below :

[8949-H88/06BLKA/SN](#) [74441-0010/BKN](#) [MP1010RX-1000](#) [MP44RX-1000](#) [PHJ-4P4C-1-V-4](#) [PHP-6P6C-5](#) [GAX-3-66](#) [GAX-8-62](#) [GDCX-PA-66-50](#) [GDCX-PN-64](#) [GDCX-PN-66](#) [GDCX-PN-66-50](#) [GDLX-A-66](#) [GDLX-N-66](#) [GDLX-S-66](#) [GDLX-S-88K](#) [GDTX-S-88-50](#) [GDX-PA-1010](#) [GLX-N-1010M-BLK](#) [GLX-S-88M-BLK](#) [GMX-N-1010](#) [GMX-S-1010](#) [GMX-S-66](#) [GMX-SMT4-N-88](#) [GPX-2-64](#) [GSGX-N-2-88](#) [GSGX-N-4-88](#) [GSX-NS2-88-3.05](#) [GSX-NS2-88-3.05-50](#) [GSX-NS-88-3.05-50](#) [PT-108A-8C-UL](#) [PT-J951-8C](#) [PTS-J531-8CS-50UL](#) [1-1775629-2](#) [A-2014-0-4](#) [GWLX-S-88-GR](#) [GWLX-S9-88-YG](#) [DC-1021-8-WH-6](#) [1300530003](#) [1324640-4](#) [RJ11FTVC2G](#) [RJ11FTVC2N](#) [RJFTVX2SA1G](#) [132764-001](#) [1413235](#) [MP88X-1000](#) [MPS88RX-5000](#) [E5288-S000K3-L](#) [E5908-15A242-L](#) [155302-001](#)