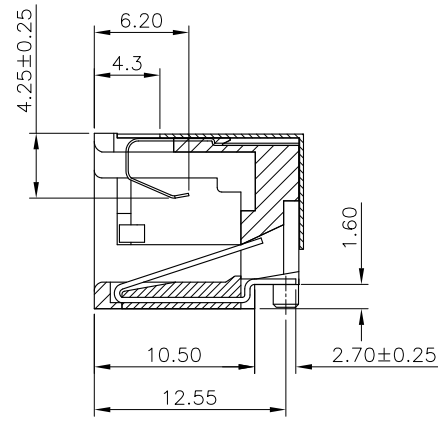
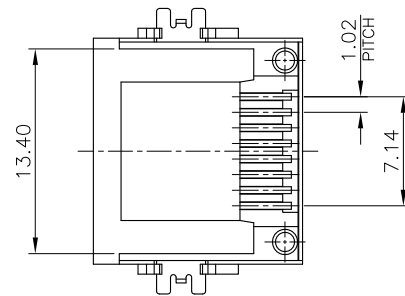


RECOMMENDED PCB LAYOUT
 RECOMMENDED PCB THICKNESS: 1.6mm.
 TOLERANCE: ±0.05 (TOP VIEW)



SECTION A-A

REEL	MOON GRAY	1.27um [50u"]	1-1775399-8
		0.76um [30u"]	1-1775399-7
		0.38um [15u"]	1-1775399-6
		0.15um [6u"]	1-1775399-5
TRAY	MOON GRAY	1.27um [50u"]	1-1775399-4
		0.76um [30u"]	1-1775399-3
		0.38um [15u"]	1-1775399-2
		0.15um [6u"]	1-1775399-1
OBSOLETE	REEL	BLACK	1.27um [50u"]
			1-1775399-8
			0.76um [50u"]
			1-1775399-7
			0.38um [15u"]
			1-1775399-6
			0.15um [6u"]
			1-1775399-5
			1.27um [50u"]
			1-1775399-4
			0.76um [50u"]
			1-1775399-3
			0.38um [15u"]
			1-1775399-2
			0.15um [6u"]
			1-1775399-1
PACKAGE	HSG COLOR	MIN. GOLD THICKNESS	PART NUMBER

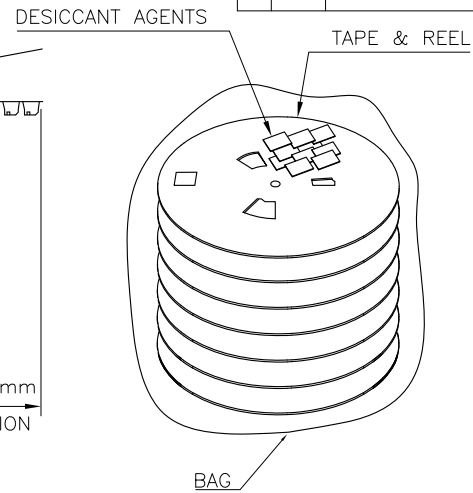
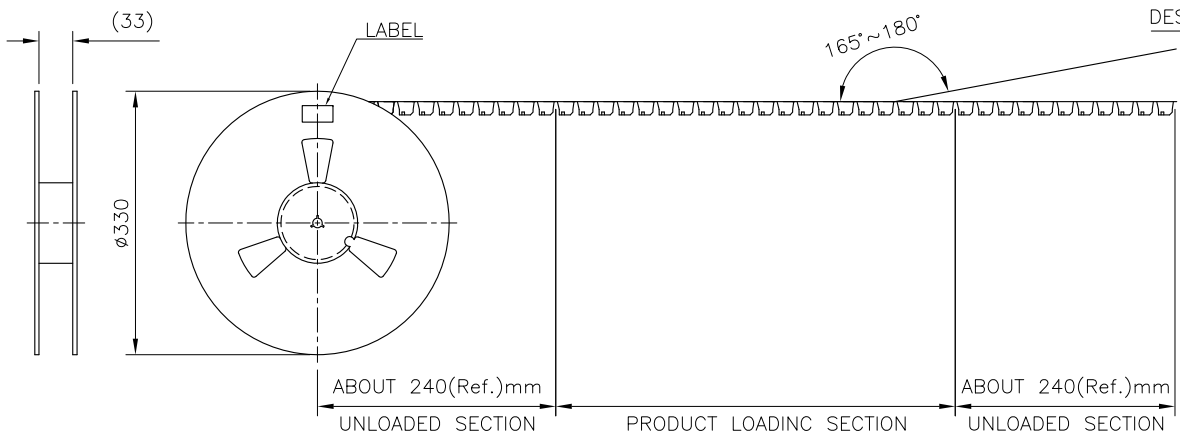
- NOTE:
- MATERIAL:
 - HOUSING: PA9T, WITH 30% GF, UL94V-0, COLOR: SEE TABLE.
 - INSERT HOUSING: PA46, WITH 30% GF, UL94V-0, COLOR: SEE TALBE.
 - CONTACTS: PHOSPHOR BRONZE.
 - SPRING: SUS.
 - SHELL: BRASS.
 - FINISH:
 - CONTACTS: (SEE TABLE) GOLD PLATED ON CONTACT AREA, GOLD FLASH ON SOLDER TAIL, 1.27um [50u"] MIN. NICKEL UNDERPLATED OVERALL.
 - SHELL: 0.508um [20u"] MIN. NICKEL PLATED.
 - REFLOW SOLDER CAPABLE TO 245°C PER TEC-109-201, CONDITION A.

THIS DRAWING IS A CONTROLLED DOCUMENT.

DIMENSIONS: mm	TOLERANCES UNLESS OTHERWISE SPECIFIED:	DWN O. HU 09JUN2006	TE Connectivity
	0 PLC ± -	CHK S. HOU 09JUN2006	
	1 PLC ± 0.3	APVD W.J. KE 09JUN2006	
	2 PLC ± 0.2	NAME	
MATERIAL SEE NOTE	FINISH SEE NOTE	PRODUCT SPEC 108-57535	MODULAR JACK, RJ45, SINGLE RECEPTACLE
		APPLICATION SPEC	RESTRICTED TO
		WEIGHT 2.66 GRAMS	SIZE A3
		CUSTOMER DRAWING	CAGE CODE 00779
			DRAWING NO. C=1775399
			SHEET 1 OF 2
			REV B

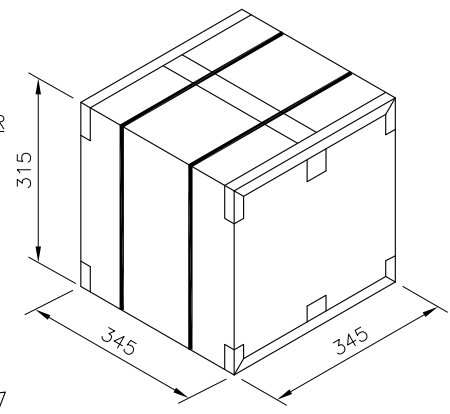
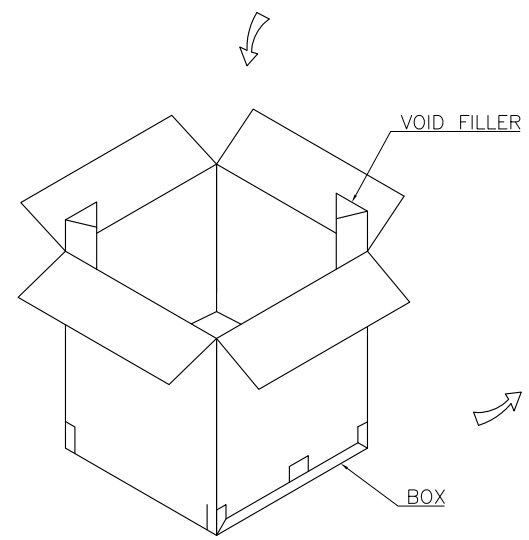
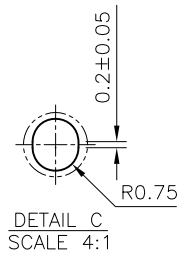
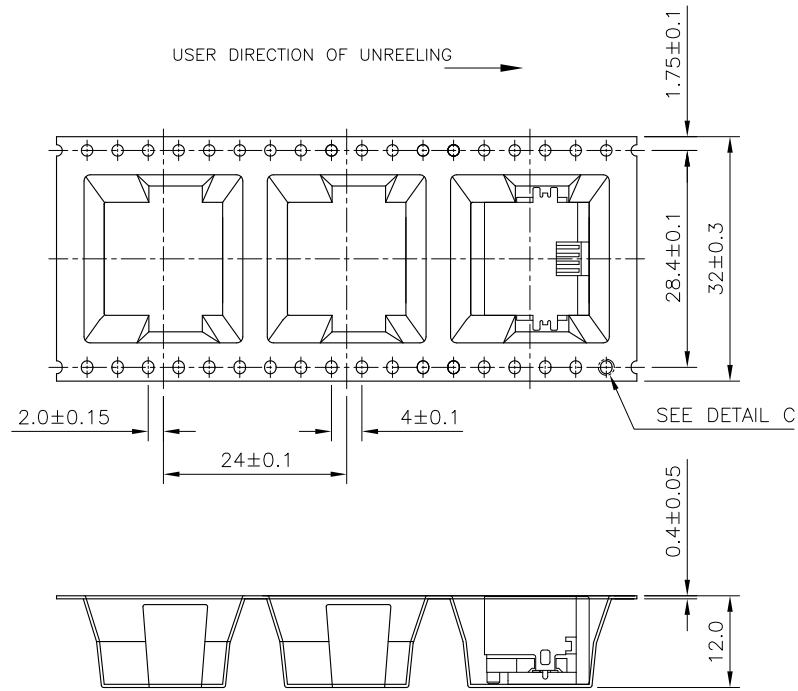
THIS DRAWING IS UNPUBLISHED. RELEASED FOR PUBLICATION
 © COPYRIGHT 2011 BY TYCO ELECTRONICS CORPORATION. ALL RIGHTS RESERVED.

LOC DW	DIST	REVISIONS			
P	LTR	DESCRIPTION	DATE	DWN	APVD
		SEE SHEET 1.			



- NOTE:
- PACKAGING MATERIAL:
 - COVER TAPE: COMPOSITE OF POLYETHYLENE TEREPHTHALATE (PET)
 - CARRIER: POLYSTYRENE (PS)
 - CARRIER REEL: POLYSTYRENE
 - BAG: PET
 - BOX: CORRUGATED FIBER.
 - EACH BAG SHALL BE INCLUDED:
 - *DESICCANT
 - PEELING STRENGTH: 0.1~1.3N(1~130 GRAMS) FOR 12~56mm WIDE CARRIER TAPES
 - PEELING SPEED: 300mm/MINUTES.

USER DIRECTION OF UNREELING →



14.00KG	11.17KG	230	8	1840
GROSS WEIGHT	NET WEIGHT	PCS/ REEL	REEL/ BOX	PCS/ BOX

THIS DRAWING IS A CONTROLLED DOCUMENT.		DWN	-		
DIMENSIONS: mm		CHK	-		
TOLERANCES UNLESS OTHERWISE SPECIFIED:		APVD	-		
0 PLC ± -		PRODUCT SPEC	-		
1 PLC ± 0.3		APPLICATION SPEC	-		
2 PLC ± 0.2		WEIGHT	-		
3 PLC ± 0.15		CUSTOMER DRAWING	-		
4 PLC ± -		SCALE	-		
ANGLES ± 3'		SHEET	2 of 2		
MATERIAL		FINISH	-		
		REV	B		

STE TE Connectivity

NAME: MODULAR JACK, RJ45, SINGLE RECEPTACLE

SIZE: A3 CAGE CODE: 00779 DRAWING NO: C-1775399 RESTRICTED TO: -

X-ON Electronics

Largest Supplier of Electrical and Electronic Components

Click to view similar products for [Headers & Wire Housings](#) category:

Click to view products by [TE Connectivity](#) manufacturer:

Other Similar products are found below :

[892-18-020-10-001101](#) [58102-G61-06LF](#) [582553-1](#) [0009485154](#) [009176003701906](#) [0050291907](#) [LY20-4P-DT1-P1E-BR](#) [02.125.8002.8](#)
[609-3404](#) [61062-3](#) [61082-181009](#) [622-3653LF](#) [63453-116](#) [636-1030](#) [636-1427](#) [636-3427](#) [636-4007](#) [641938-9](#) [641991-4](#) [644827-2](#) [65817-](#)
[010LF](#) [65817-015LF](#) [65863-015LF](#) [66207-023LF](#) [67095-007LF](#) [67601157](#) [68645-018](#) [68648-049](#) [70.362.1628.0](#) [70-4210](#) [70-4226B](#) [70-](#)
[4853B](#) [707-5020](#) [707-5028](#) [71.350.2428.0](#) [71918-208LF](#) [71961-016LF](#) [733-134](#) [733-162](#) [754199-000](#) [760-3052](#) [79531-3000](#) [FCN-](#)
[360C032-B](#) [FCN-367T-T012/H](#) [FCN-723D010/2](#) [80.063.4001.1](#) [800-90-001-10-001000](#) [800-90-010-10-002000](#) [801-43-002-10-013000](#)
[801-43-006-10-002000](#)