

4

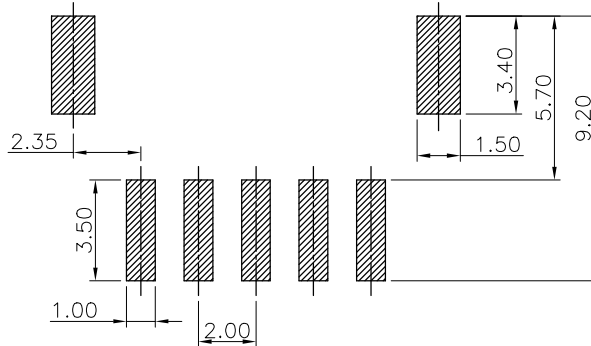
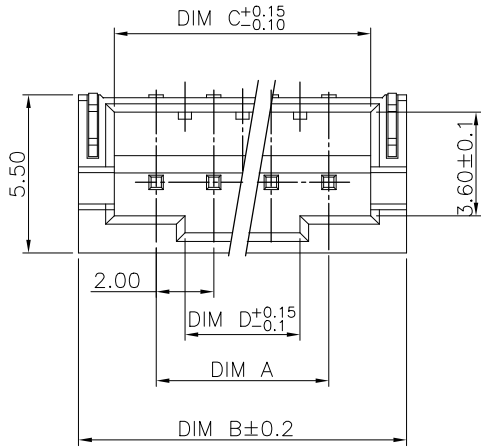
3

2

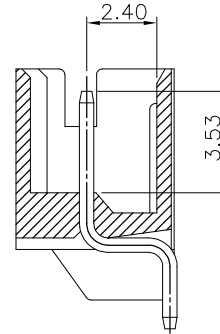
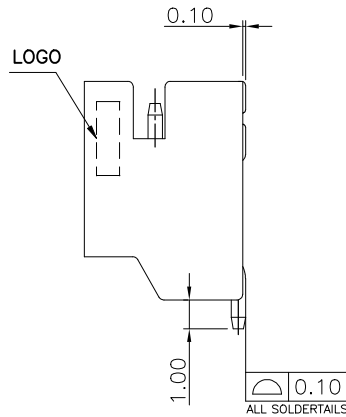
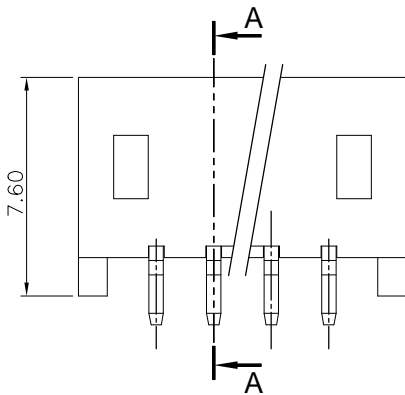
1

THIS DRAWING IS UNPUBLISHED. RELEASED FOR PUBLICATION  
 © COPYRIGHT BY TYCO ELECTRONICS CORPORATION. ALL RIGHTS RESERVED.

| LOC | DIST | REVISIONS   |                          |         |           |
|-----|------|-------------|--------------------------|---------|-----------|
| P   | LTR  | DESCRIPTION | DATE                     | DWN     | APVD      |
| DW  | -    | A5          | RELEASED (ECO-19-002414) | 21FEB19 | K.G. W.H. |



RECOMMENDED PCB LAYOUT



SECTION A-A

| THICKNESS | DIM D | DIM C | DIM B | DIM A | POS         | PART NUMBER |
|-----------|-------|-------|-------|-------|-------------|-------------|
| 28.00     | 32.90 | 35.40 | 30.00 | 16P   | 3-1775469-6 |             |
| 26.00     | 30.90 | 33.40 | 28.00 | 15P   | 3-1775469-5 |             |
| 24.00     | 28.90 | 31.40 | 26.00 | 14P   | 3-1775469-4 |             |
| 22.00     | 26.90 | 29.40 | 24.00 | 13P   | 3-1775469-3 |             |
| 20.00     | 24.90 | 27.40 | 22.00 | 12P   | 3-1775469-2 |             |
| 18.00     | 22.90 | 25.40 | 20.00 | 11P   | 3-1775469-1 |             |
| 16.00     | 20.90 | 23.40 | 18.00 | 10P   | 3-1775469-0 |             |
| 14.00     | 18.90 | 21.40 | 16.00 | 9P    | 2-1775469-9 |             |
| 12.00     | 16.90 | 19.40 | 14.00 | 8P    | 2-1775469-8 |             |
| 10.00     | 14.90 | 17.40 | 12.00 | 7P    | 2-1775469-7 |             |
| 8.00      | 12.90 | 15.40 | 10.00 | 6P    | 2-1775469-6 |             |
| 6.00      | 10.90 | 13.40 | 8.00  | 5P    | 2-1775469-5 |             |
| 4.00      | 8.90  | 11.40 | 6.00  | 4P    | 2-1775469-4 |             |
| 2.00      | 6.90  | 9.40  | 4.00  | 3P    | 2-1775469-3 |             |
| 0.60      | 4.90  | 7.40  | 2.00  | 2P    | 2-1775469-2 |             |
| 28.00     | 32.90 | 35.40 | 30.00 | 16P   | 1-1775469-6 |             |
| 26.00     | 30.90 | 33.40 | 28.00 | 15P   | 1-1775469-5 |             |
| 24.00     | 28.90 | 31.40 | 26.00 | 14P   | 1-1775469-4 |             |
| 22.00     | 26.90 | 29.40 | 24.00 | 13P   | 1-1775469-3 |             |
| 20.00     | 24.90 | 27.40 | 22.00 | 12P   | 1-1775469-2 |             |
| 18.00     | 22.90 | 25.40 | 20.00 | 11P   | 1-1775469-1 |             |
| 16.00     | 20.90 | 23.40 | 18.00 | 10P   | 1-1775469-0 |             |
| 14.00     | 18.90 | 21.40 | 16.00 | 9P    | 1775469-9   |             |
| 12.00     | 16.90 | 19.40 | 14.00 | 8P    | 1775469-8   |             |
| 10.00     | 14.90 | 17.40 | 12.00 | 7P    | 1775469-7   |             |
| 8.00      | 12.90 | 15.40 | 10.00 | 6P    | 1775469-6   |             |
| 6.00      | 10.90 | 13.40 | 8.00  | 5P    | 1775469-5   |             |
| 4.00      | 8.90  | 11.40 | 6.00  | 4P    | 1775469-4   |             |
| 2.00      | 6.90  | 9.40  | 4.00  | 3P    | 1775469-3   |             |
| 0.60      | 4.90  | 7.40  | 2.00  | 2P    | 1775469-2   |             |

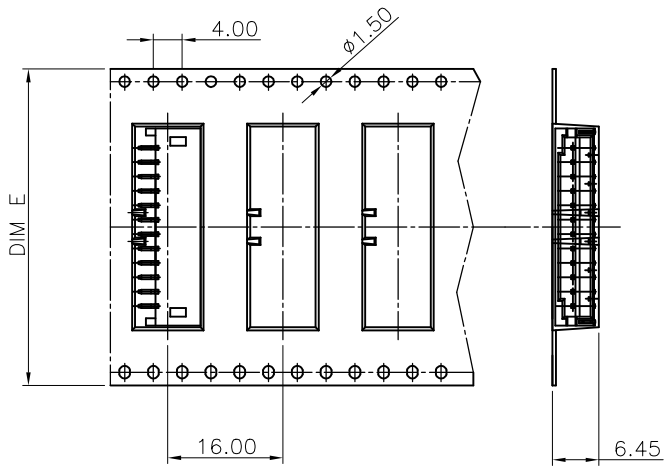
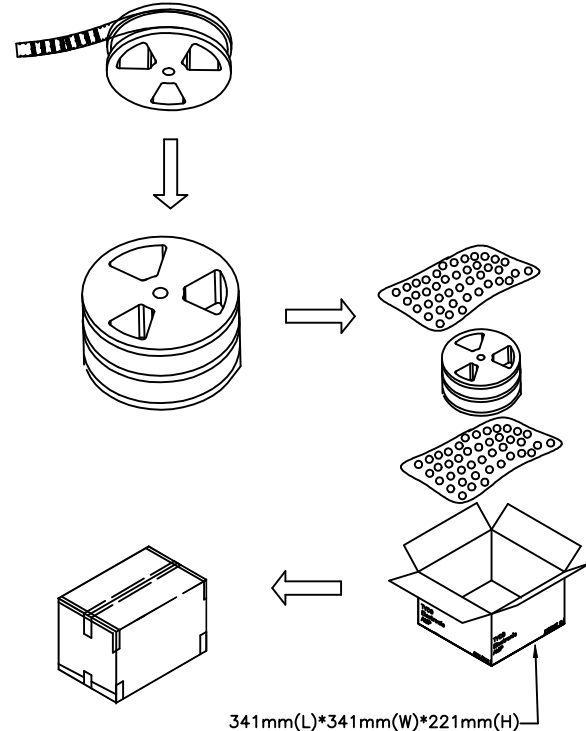
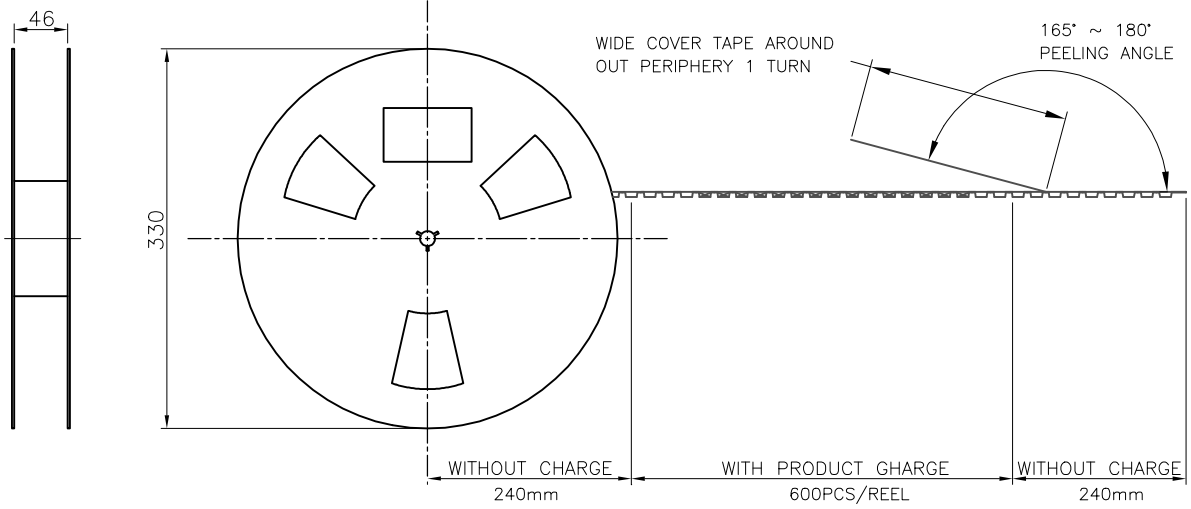
NOTE:

- MATERIAL :  
HOUSING : PA9T, UL 94V-0, COLOR: NATURAL.  
CONTACT : BRASS, THICKNESS=0.50mm.
- FINISH:  
CONTACT :  $\Delta$  2 $\mu$ m [80u"] MIN. MATTE TIN PLATED OVER  
1.27 $\mu$ m [50u"] MIN. NICKEL UNDERPLATED ALL OVER.  
 $\Delta$  GOLD FLASH OVER 1.27 $\mu$ m [50u"] MIN. NICKEL UNDERPLATED ALL OVER.
- REFLOW SOLDER CAPABLE TO 260°C PER TE CONNECTIVITY SPEC 109-201, CONDITION B.

|   |  |  |  |                    |                         |                    |
|---|--|--|--|--------------------|-------------------------|--------------------|
| THIS DRAWING IS A CONTROLLED DOCUMENT.  |  | DWN<br>O. HU<br>01NOV2006              |  |                    |                         |                    |
|   |  | CHK<br>S. HOU<br>01NOV2006             |  |                    |                         |                    |
| DIMENSIONS:<br>MM<br>   |  | APVD<br>W.J. KE<br>01NOV2006           | NAME                                     |                    |                         |                    |
| TOLERANCES UNLESS OTHERWISE SPECIFIED:<br>0 PLC ± -<br>1 PLC ± 0.25<br>2 PLC ± 0.15<br>3 PLC ± 0.05<br>4 PLC ± -<br>ANGLES ± 3° |  | PRODUCT SPEC<br>108-57100              | HPI CONN., 2.0MM PITCH,<br>R/A, SMT TYPE |                    |                         |                    |
| MATERIAL<br>SEE NOTE  |  | QUALIFICATION TEST REPORT<br>501-57058 | SIZE<br>A3                               | CAGE CODE<br>00779 | DRAWING NO<br>C=1775469 | RESTRICTED TO<br>- |
| FINISH<br>SEE NOTE  |  | WEIGHT<br>--                           | CUSTOMER DRAWING                         |                    |                         |                    |
|   |  | SCALE<br>-                             | SHEET<br>1                               | OF<br>2            | REV<br>A5               |                    |

THIS DRAWING IS UNPUBLISHED. RELEASED FOR PUBLICATION  
 © COPYRIGHT BY TYCO ELECTRONICS CORPORATION. ALL RIGHTS RESERVED.

| LOC | DIST | REVISIONS    |      |     |      |
|-----|------|--------------|------|-----|------|
| P   | LTR  | DESCRIPTION  | DATE | DWN | APVD |
| DW  | -    | SEE SHEET 1. |      |     |      |



| DIM E | PCS/CARTON | PCS/REEL | POS | PART NUMBER |
|-------|------------|----------|-----|-------------|
| 56.00 | 1,800      | 600      | 16P | 3-1775469-6 |
|       | 1,800      | 600      | 15P | 3-1775469-5 |
|       | 1,800      | 600      | 14P | 3-1775469-4 |
|       | 1,800      | 600      | 13P | 3-1775469-3 |
| 44.00 | 2,400      | 600      | 12P | 3-1775469-2 |
|       | 2,400      | 600      | 11P | 3-1775469-1 |
|       | 2,400      | 600      | 10P | 3-1775469-0 |
|       | 2,400      | 600      | 9P  | 2-1775469-9 |
|       | 2,400      | 600      | 8P  | 2-1775469-8 |
|       | 2,400      | 600      | 7P  | 2-1775469-7 |
| 32.00 | 3,000      | 600      | 6P  | 2-1775469-6 |
|       | 3,000      | 600      | 5P  | 2-1775469-5 |
|       | 3,000      | 600      | 4P  | 2-1775469-4 |
|       | 3,000      | 600      | 3P  | 2-1775469-3 |
| 56.00 | 3,000      | 600      | 2P  | 2-1775469-2 |
|       | 1,500      | 600      | 16P | 1-1775469-6 |
|       | 1,800      | 600      | 15P | 1-1775469-5 |
|       | 1,800      | 600      | 14P | 1-1775469-4 |
| 44.00 | 1,800      | 600      | 13P | 1-1775469-3 |
|       | 2,400      | 600      | 12P | 1-1775469-2 |
|       | 2,400      | 600      | 11P | 1-1775469-1 |
|       | 2,400      | 600      | 10P | 1-1775469-0 |
|       | 2,400      | 600      | 9P  | 1775469-9   |
|       | 2,400      | 600      | 8P  | 1775469-8   |
| 32.00 | 2,400      | 600      | 7P  | 1775469-7   |
|       | 3,000      | 600      | 6P  | 1775469-6   |
|       | 3,000      | 600      | 5P  | 1775469-5   |
|       | 3,000      | 600      | 4P  | 1775469-4   |
| 32.00 | 3,000      | 600      | 3P  | 1775469-3   |
|       | 3,000      | 600      | 2P  | 1775469-2   |

THIS DRAWING IS A CONTROLLED DOCUMENT.

DWN O. HU 01NOV2006  
 CHK S. HOU 01NOV2006  
 APVD W.J. KE 01NOV2006

TE Connectivity  
 HPI CONN., 2.0MM PITCH, R/A, SMT TYPE

DIMENSIONS: MM  
 TOLERANCES UNLESS OTHERWISE SPECIFIED:  
 0 PLC ± -  
 1 PLC ± -  
 2 PLC ± -  
 3 PLC ± -  
 4 PLC ± -  
 ANGLES ± -

MATERIAL - FINISH -

APPLICATION SPEC -  
 WEIGHT -

CUSTOMER DRAWING

NAME -  
 SIZE A3 CAGE CODE - DRAWING NO C=1775469 RESTRICTED TO -  
 SCALE - SHEET 2 OF 2 REV A5

## X-ON Electronics

Largest Supplier of Electrical and Electronic Components

*Click to view similar products for [Headers & Wire Housings](#) category:*

*Click to view products by [TE Connectivity](#) manufacturer:*

Other Similar products are found below :

[892-18-020-10-001101](#) [58102-G61-06LF](#) [582553-1](#) [0009485154](#) [009176003701906](#) [0050291907](#) [LY20-4P-DT1-P1E-BR](#) [02.125.8002.8](#)  
[609-3404](#) [61062-3](#) [61082-181009](#) [622-3653LF](#) [63453-116](#) [636-1030](#) [636-1427](#) [636-3427](#) [636-4007](#) [641938-9](#) [641991-4](#) [644827-2](#) [65817-](#)  
[010LF](#) [65817-015LF](#) [65863-015LF](#) [66207-023LF](#) [67095-007LF](#) [67601157](#) [68645-018](#) [68648-049](#) [70.362.1628.0](#) [70-4210](#) [70-4226B](#) [70-](#)  
[4853B](#) [707-5020](#) [707-5028](#) [71.350.2428.0](#) [71918-208LF](#) [71961-016LF](#) [733-134](#) [733-162](#) [754199-000](#) [760-3052](#) [787-8014-00](#) [79531-3000](#)  
[FCN-360C032-B](#) [FCN-367T-T012/H](#) [FCN-723D010/2](#) [80.063.4001.1](#) [800-90-001-10-001000](#) [800-90-010-10-002000](#) [801-43-002-10-013000](#)