

4

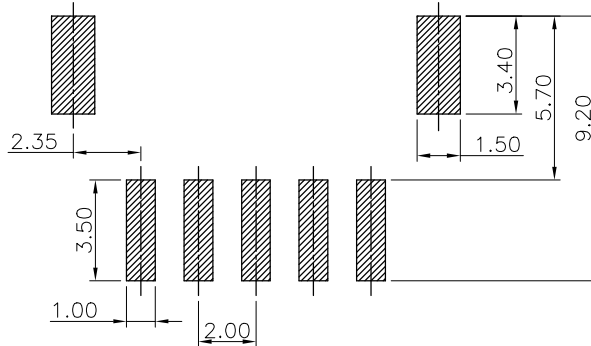
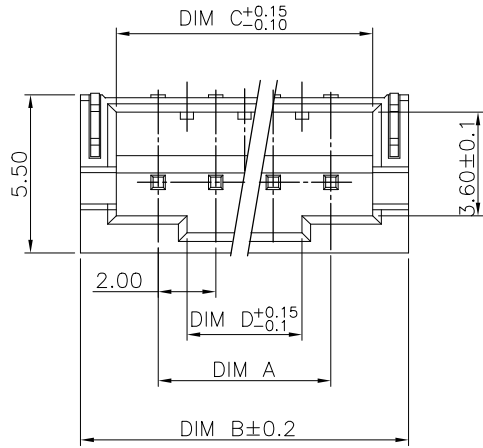
3

2

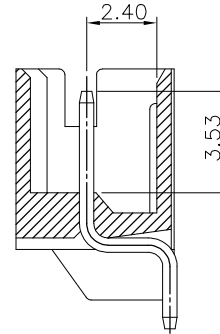
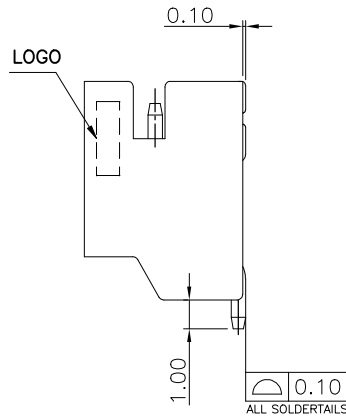
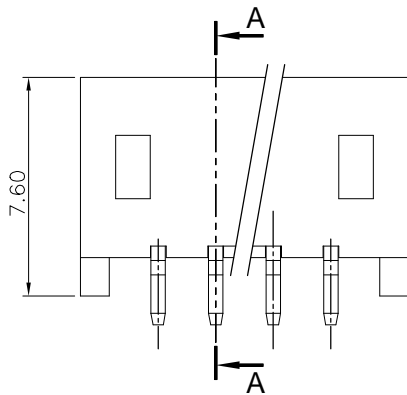
1

THIS DRAWING IS UNPUBLISHED. RELEASED FOR PUBLICATION
 © COPYRIGHT BY TYCO ELECTRONICS CORPORATION. ALL RIGHTS RESERVED.

LOC	DIST	REVISIONS			
P	LTR	DESCRIPTION	DATE	DWN	APVD
DW	---	A5	RELEASED (ECO-19-002414)	21FEB19	K.G. W.H.



RECOMMENDED PCB LAYOUT



SECTION A-A

THICKNESS	DIM D	DIM C	DIM B	DIM A	POS	PART NUMBER
28.00	32.90	35.40	30.00	16P	3-1775469-6	
26.00	30.90	33.40	28.00	15P	3-1775469-5	
24.00	28.90	31.40	26.00	14P	3-1775469-4	
22.00	26.90	29.40	24.00	13P	3-1775469-3	
20.00	24.90	27.40	22.00	12P	3-1775469-2	
18.00	22.90	25.40	20.00	11P	3-1775469-1	
16.00	20.90	23.40	18.00	10P	3-1775469-0	
14.00	18.90	21.40	16.00	9P	2-1775469-9	
12.00	16.90	19.40	14.00	8P	2-1775469-8	
10.00	14.90	17.40	12.00	7P	2-1775469-7	
8.00	12.90	15.40	10.00	6P	2-1775469-6	
6.00	10.90	13.40	8.00	5P	2-1775469-5	
4.00	8.90	11.40	6.00	4P	2-1775469-4	
2.00	6.90	9.40	4.00	3P	2-1775469-3	
0.60	4.90	7.40	2.00	2P	2-1775469-2	
28.00	32.90	35.40	30.00	16P	1-1775469-6	
26.00	30.90	33.40	28.00	15P	1-1775469-5	
24.00	28.90	31.40	26.00	14P	1-1775469-4	
22.00	26.90	29.40	24.00	13P	1-1775469-3	
20.00	24.90	27.40	22.00	12P	1-1775469-2	
18.00	22.90	25.40	20.00	11P	1-1775469-1	
16.00	20.90	23.40	18.00	10P	1-1775469-0	
14.00	18.90	21.40	16.00	9P	1775469-9	
12.00	16.90	19.40	14.00	8P	1775469-8	
10.00	14.90	17.40	12.00	7P	1775469-7	
8.00	12.90	15.40	10.00	6P	1775469-6	
6.00	10.90	13.40	8.00	5P	1775469-5	
4.00	8.90	11.40	6.00	4P	1775469-4	
2.00	6.90	9.40	4.00	3P	1775469-3	
0.60	4.90	7.40	2.00	2P	1775469-2	

NOTE:

- MATERIAL : HOUSING : PA9T, UL 94V-0, COLOR: NATURAL. CONTACT : BRASS, THICKNESS=0.50mm.
- FINISH: CONTACT : Δ 2 μ m [80u"] MIN. MATTE TIN PLATED OVER 1.27 μ m [50u"] MIN. NICKEL UNDERPLATED ALL OVER. Δ GOLD FLASH OVER 1.27 μ m [50u"] MIN. NICKEL UNDERPLATED ALL OVER.
- REFLOW SOLDER CAPABLE TO 260°C PER TE CONNECTIVITY SPEC 109-201, CONDITION B.

THIS DRAWING IS A CONTROLLED DOCUMENT.		DWN O. HU 01NOV2006			
		CHK S. HOU 01NOV2006			
		APVD W.J. KE 01NOV2006	NAME		
DIMENSIONS: MM		PRODUCT SPEC 108-57100	HPI CONN., 2.0MM PITCH, R/A, SMT TYPE		
		QUALIFICATION TEST REPORT 501-57058	RESTRICTED TO		
MATERIAL SEE NOTE		WEIGHT --	SIZE A3	CAGE CODE 00779	DRAWING NO C=1775469
FINISH SEE NOTE		CUSTOMER DRAWING		SCALE --	SHEET 1 OF 2
				REV A5	

4

3

2

1

THIS DRAWING IS UNPUBLISHED.

RELEASED FOR PUBLICATION

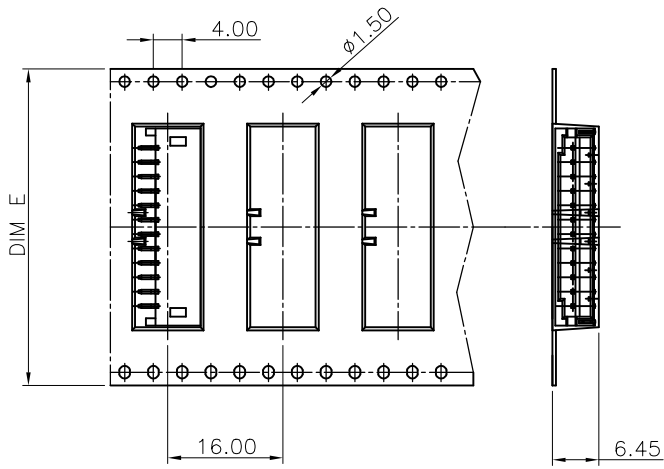
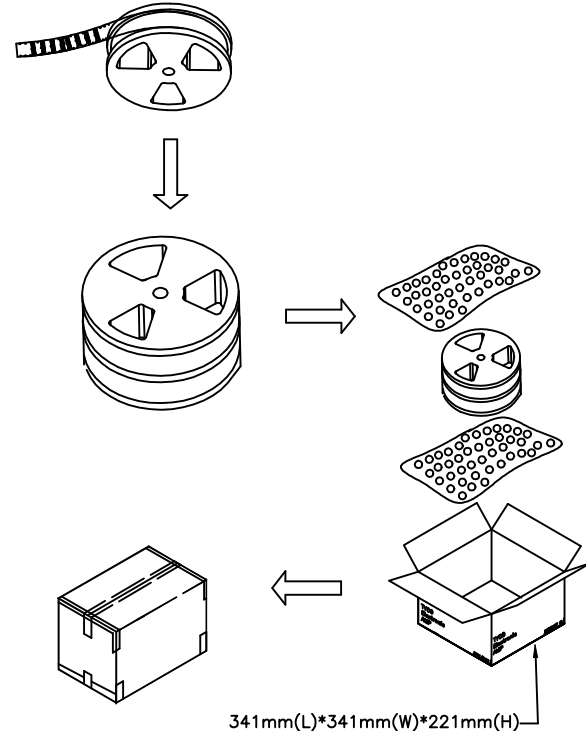
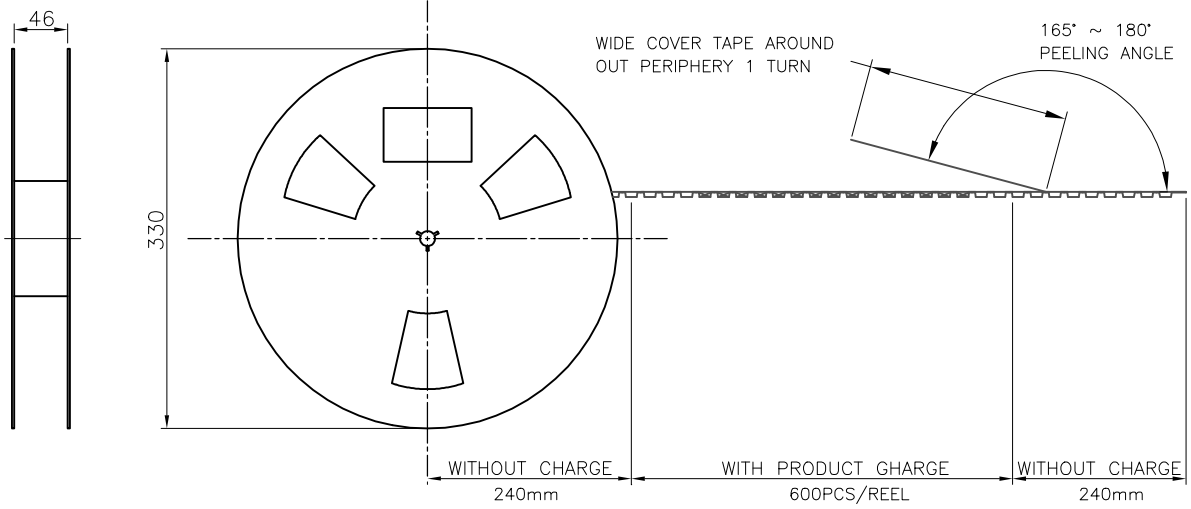
LOC
DW

DIST

REVISIONS

© COPYRIGHT BY TYCO ELECTRONICS CORPORATION. ALL RIGHTS RESERVED.

P	LTR	DESCRIPTION	DATE	DWN	APVD
		SEE SHEET 1.			



DIM E	PCS/CARTON	PCS/REEL	POS	PART NUMBER
56.00	1,800	600	16P	3-1775469-6
	1,800	600	15P	3-1775469-5
	1,800	600	14P	3-1775469-4
	1,800	600	13P	3-1775469-3
44.00	2,400	600	12P	3-1775469-2
	2,400	600	11P	3-1775469-1
	2,400	600	10P	3-1775469-0
	2,400	600	9P	2-1775469-9
	2,400	600	8P	2-1775469-8
	2,400	600	7P	2-1775469-7
32.00	3,000	600	6P	2-1775469-6
	3,000	600	5P	2-1775469-5
	3,000	600	4P	2-1775469-4
	3,000	600	3P	2-1775469-3
56.00	3,000	600	2P	2-1775469-2
	1,500	600	16P	1-1775469-6
	1,800	600	15P	1-1775469-5
	1,800	600	14P	1-1775469-4
	1,800	600	13P	1-1775469-3
	2,400	600	12P	1-1775469-2
44.00	2,400	600	11P	1-1775469-1
	2,400	600	10P	1-1775469-0
	2,400	600	9P	1775469-9
	2,400	600	8P	1775469-8
32.00	2,400	600	7P	1775469-7
	3,000	600	6P	1775469-6
	3,000	600	5P	1775469-5
	3,000	600	4P	1775469-4
32.00	3,000	600	3P	1775469-3
	3,000	600	2P	1775469-2

THIS DRAWING IS A CONTROLLED DOCUMENT.

DWN O. HU 01NOV2006

CHK S. HOU 01NOV2006

APVD W.J. KE 01NOV2006

NAME

PRODUCT SPEC

APPLICATION SPEC

WEIGHT

CUSTOMER DRAWING

SCALE

SHEET 2 OF 2

REV A5

TE Connectivity

HPI CONN., 2.0MM PITCH, R/A, SMT TYPE

SIZE A3

CAGE CODE

DRAWING NO G=1775469

RESTRICTED TO

X-ON Electronics

Largest Supplier of Electrical and Electronic Components

Click to view similar products for [Headers & Wire Housings](#) category:

Click to view products by [TE Connectivity](#) manufacturer:

Other Similar products are found below :

[95000-104TRLF](#) [10135584-644402LF](#) [DF62W-EP2022PCA](#) [95000-106TRLF](#) [DF62W-2022SCA](#) [DF62W-EP2022PC](#) [2203348](#) [DF62W-2022SC](#) [1084018](#) [1029039](#) [1084017](#) [802-10-012-10-002000](#) [1112640](#) [1112639](#) [000-34000](#) [0009482033](#) [0009507031](#) [57102-S06-03LF](#) [57202-S52-04LF](#) [PCN6-15S-2.5E](#) [0039019024](#) [58102-G61-06LF](#) [582553-1](#) [0009508121](#) [0050291907](#) [018731A](#) [LY20-4P-DT1-P1E-BR](#) [02.125.8002.8](#) [60101931](#) [60598-1 \(Cut Strip\)](#) [M1625-3R/100](#) [61062-3](#) [61082-181009](#) [636-1427](#) [638009-1](#) [641938-9](#) [641991-4](#) [644168-1](#) [647662-1](#) [65039-019ELF](#) [65817-002LF](#) [65817-015LF](#) [65863-015LF](#) [66207-023LF](#) [67016-026LF](#) [67046-001LF](#) [67095-007LF](#) [68002-116](#) [68016-236H](#) [68648-049](#)