

THIS DRAWING IS UNPUBLISHED.

RELEASED FOR PUBLICATION

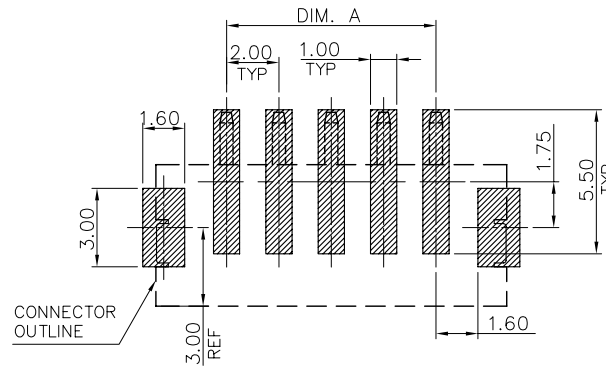
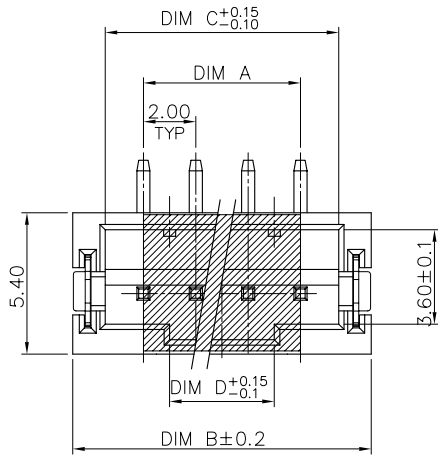
ALL RIGHTS RESERVED.

© COPYRIGHT BY

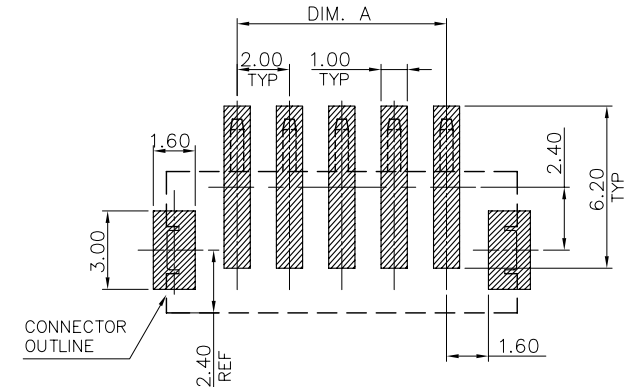
LOC DW DIST

REVISIONS

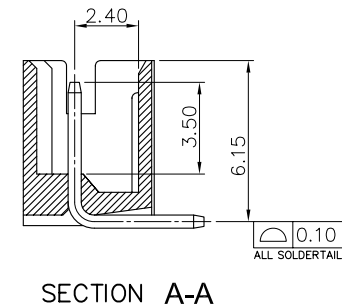
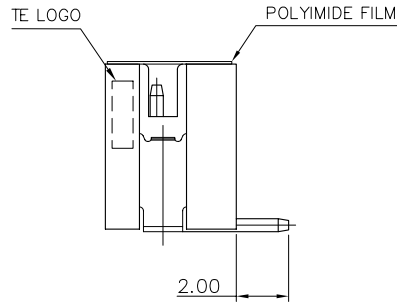
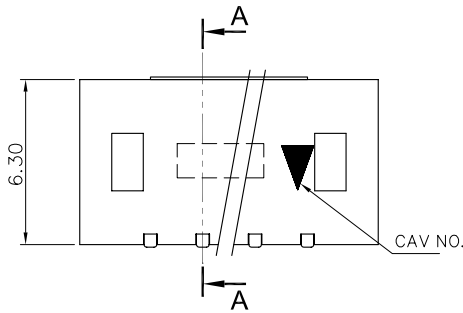
P	LTR	DESCRIPTION	DATE	DWN	APVD
B		REVISED (ECR-11-011782)	08JUN11	JL	WK



RECOMMENDED PCB LAYOUT TOLERANCE: ±0.05



RECOMMENDED PCB LAYOUT TOLERANCE: ±0.05



SECTION A-A

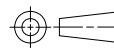
28.00	32.90	35.40	30.00	16P	3-1775470-6
26.00	30.90	33.40	28.00	15P	3-1775470-5
24.00	28.90	31.40	26.00	14P	3-1775470-4
22.00	26.90	29.40	24.00	13P	3-1775470-3
20.00	24.90	27.40	22.00	12P	3-1775470-2
18.00	22.90	25.40	20.00	11P	3-1775470-1
16.00	20.90	23.40	18.00	10P	3-1775470-0
14.00	18.90	21.40	16.00	9P	2-1775470-9
12.00	16.90	19.40	14.00	8P	2-1775470-8
10.00	14.90	17.40	12.00	7P	2-1775470-7
8.00	12.90	15.40	10.00	6P	2-1775470-6
6.00	10.90	13.40	8.00	5P	2-1775470-5
4.00	8.90	11.40	6.00	4P	2-1775470-4
2.00	6.90	9.40	4.00	3P	2-1775470-3
0.60	4.90	7.40	2.00	2P	2-1775470-2
28.00	32.90	35.40	30.00	16P	1-1775470-6
26.00	30.90	33.40	28.00	15P	1-1775470-5
24.00	28.90	31.40	26.00	14P	1-1775470-4
22.00	26.90	29.40	24.00	13P	1-1775470-3
20.00	24.90	27.40	22.00	12P	1-1775470-2
18.00	22.90	25.40	20.00	11P	1-1775470-1
16.00	20.90	23.40	18.00	10P	1-1775470-0
14.00	18.90	21.40	16.00	9P	1775470-9
12.00	16.90	19.40	14.00	8P	1775470-8
10.00	14.90	17.40	12.00	7P	1775470-7
8.00	12.90	15.40	10.00	6P	1775470-6
6.00	10.90	13.40	8.00	5P	1775470-5
4.00	8.90	11.40	6.00	4P	1775470-4
2.00	6.90	9.40	4.00	3P	1775470-3
0.60	4.90	7.40	2.00	2P	1775470-2
THICKNESS	DIM D	DIM C	DIM B	DIM A	POS PART NUMBER

NOTE:

- MATERIAL :
HOUSING : PA9T, UL 94V-0, COLOR: NATURAL.
CONTACT : BRASS, THICKNESS=0.50mm.
SOLDER PEG : BRASS
- FINISH:
CONTACT : Δ 2um [80 μ] MIN. MATTE TIN PLATED OVER
1.27 μ m [50 μ] MIN. NICKEL UNDERPLATED ALL OVER.
 Δ GOLD FLASH OVER 1.27 μ m [50 μ] MIN. NICKEL UNDERPLATED ALL OVER.
PEG : 2um [80 μ] MATTE TIN, 1.27 μ m [50 μ] NICEL.
- REFLOW SOLDER CAPABLE TO 260°C PER TE CONNECTIVITY SPEC 109-201, CONDITION B.

THIS DRAWING IS A CONTROLLED DOCUMENT.

DIMENSIONS: MM



MATERIAL SEE NOTE

TOLERANCES UNLESS OTHERWISE SPECIFIED:
0 PLC ± -
1 PLC ± 0.25
2 PLC ± 0.15
3 PLC ± 0.05
4 PLC ANGLES ± 3'

FINISH SEE NOTE

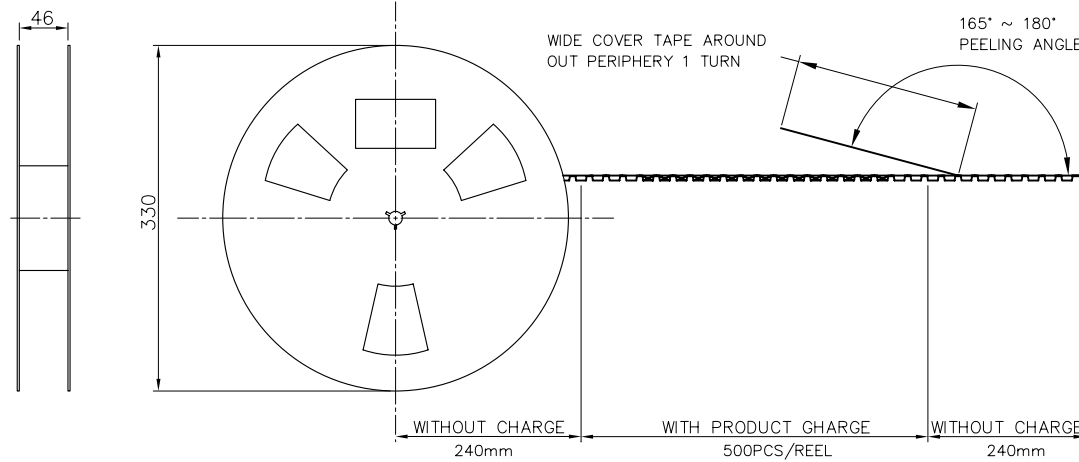
DWN S. CHIEN 06JAN2009
CHK S. CHIEN 06JAN2009
APVD W. KODAMA 06JAN2009
PRODUCT SPEC
108-57100
QUALIFICATION TEST REPORT
501-57058
WEIGHT - GRAMS
CUSTOMER DRAWING

TE Connectivity

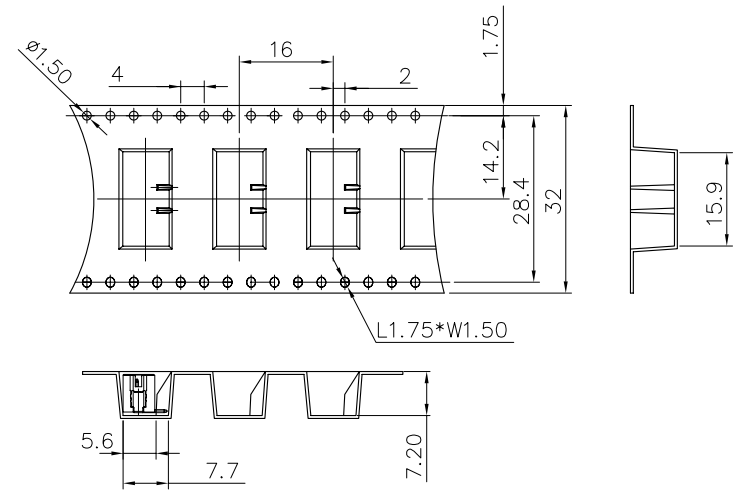
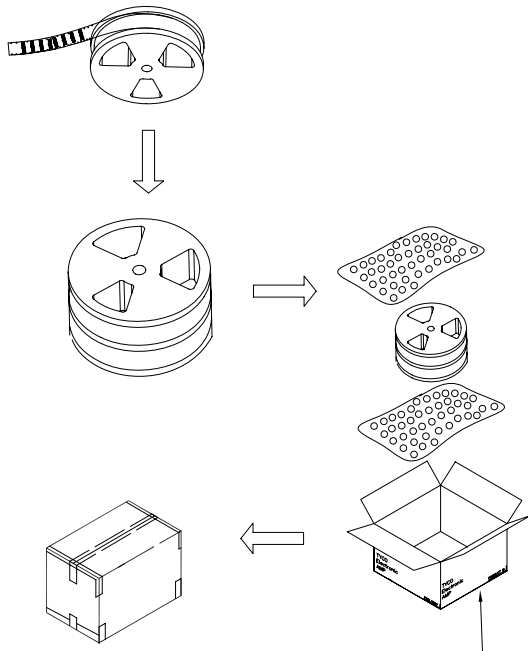
HPI CONN., 2.0MM PITCH, V/T, SMT TYPE

SIZE A3 CAGE CODE 00779 DRAWING NO G=1775470 RESTRICTED TO

SCALE SHEET 1 of 4 REV B



FOR 2~6PIN



PCS/CARTON	PCS/REEL	POS	PART NUMBER
2,500	500	6P	2-1775470-6
2,500	500	5P	2-1775470-5
2,500	500	4P	2-1775470-4
2,500	500	3P	2-1775470-3
2,500	500	2P	2-1775470-2
2,500	500	6P	1775470-6
2,500	500	5P	1775470-5
2,500	500	4P	1775470-4
2,500	500	3P	1775470-3
2,500	500	2P	1775470-2

THIS DRAWING IS A CONTROLLED DOCUMENT.

DIMENSIONS: MM	TOLERANCES UNLESS OTHERWISE SPECIFIED: 0 PLC ± 1 PLC ± 2 PLC ± 3 PLC ± 4 PLC ± ANGLES ±	DWN CHK APVD PRODUCT SPEC APPLICATION SPEC WEIGHT	NAME HPI CONN., 2.0MM PITCH, V/T, SMT TYPE
MATERIAL	FINISH	CUSTOMER DRAWING	SIZE A3 CAGE CODE 00779 DRAWING NO. C=1775470 RESTRICTED TO
		SCALE	SHEET 2 OF 4 REV B

STE TE Connectivity

4

3

2

1

THIS DRAWING IS UNPUBLISHED.

RELEASED FOR PUBLICATION

AUG 2006

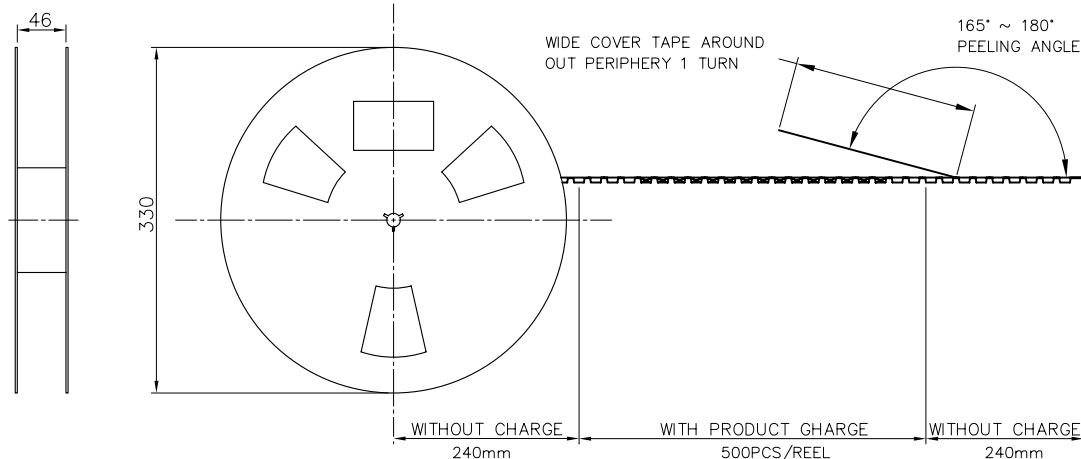
LOC DW

DIST

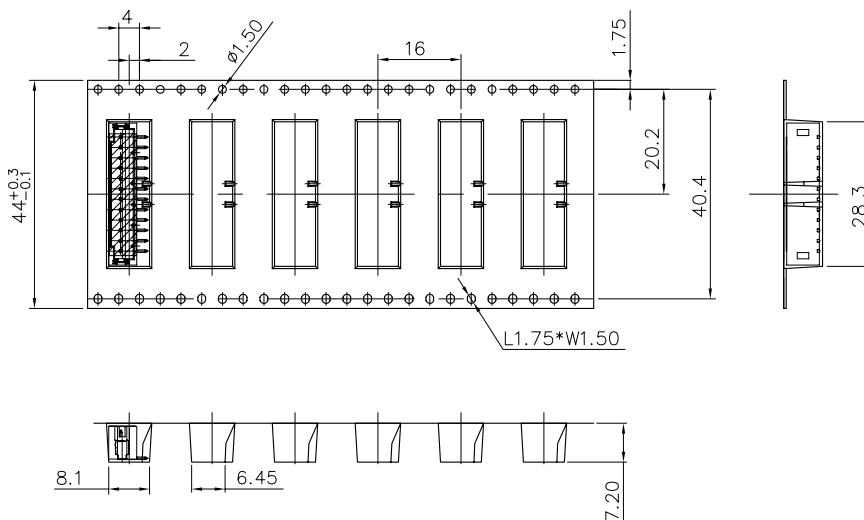
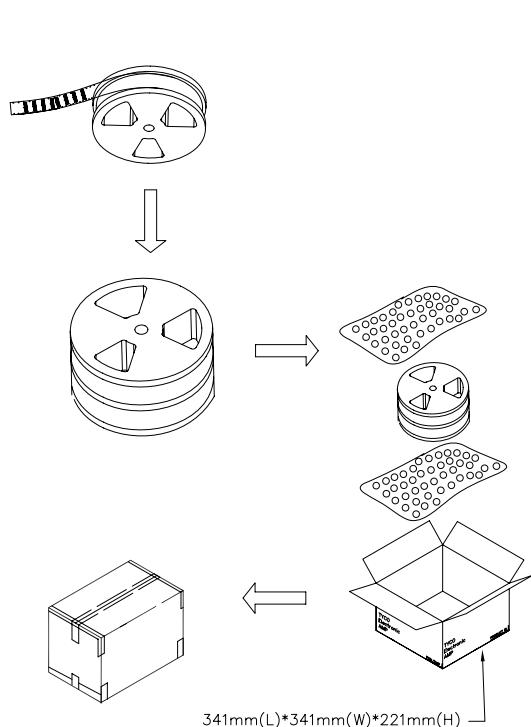
REVISIONS

© COPYRIGHT BY TYCO ELECTRONICS CORPORATION. ALL RIGHTS RESERVED.

P	LTR	DESCRIPTION	DATE	DWN	APVD
		SEE SHEET 1.			



FOR 7~12PIN



PCS/CARTON	PCS/REEL	POS	PART NUMBER
2,000	500	12P	3-1775470-2
2,000	500	11P	3-1775470-1
2,000	500	10P	3-1775470-0
2,000	500	9P	2-1775470-9
2,000	500	8P	2-1775470-8
2,000	500	7P	2-1775470-7
2,000	500	12P	1-1775470-2
2,000	500	11P	1-1775470-1
2,000	500	10P	1-1775470-0
2,000	500	9P	1775470-9
2,000	500	8P	1775470-8
2,000	500	7P	1775470-7

THIS DRAWING IS A CONTROLLED DOCUMENT.

DIMENSIONS: MM

TOLERANCES UNLESS OTHERWISE SPECIFIED:

0 PLC	±
1 PLC	±
2 PLC	±
3 PLC	±
4 PLC	±
ANGLES	±

MATERIAL: _____ FINISH: _____

THIS DRAWING IS A CONTROLLED DOCUMENT.

DWN: _____

CHK: _____

APVD: _____

PRODUCT SPEC: _____

APPLICATION SPEC: _____

WEIGHT: _____

CUSTOMER DRAWING

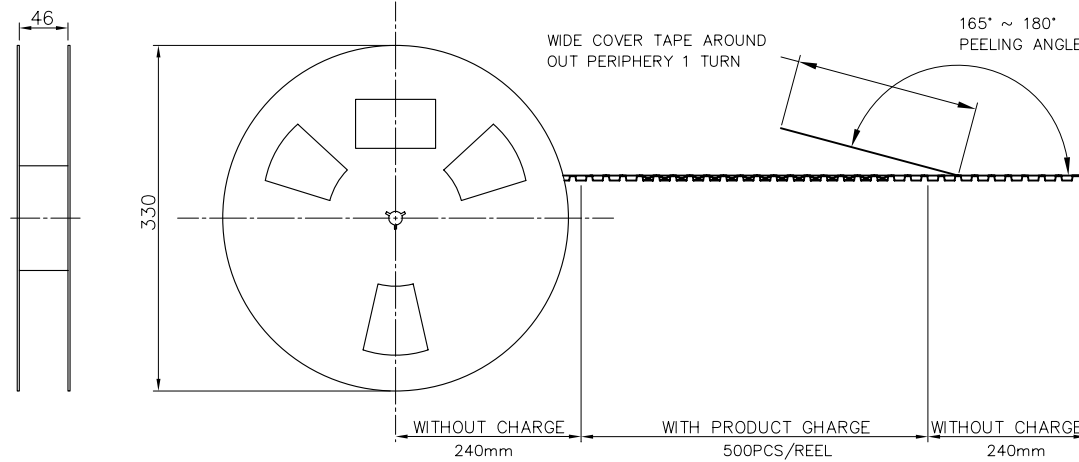
SCALE: _____ SHEET: 3 of 4 REV: B

STE TE Connectivity

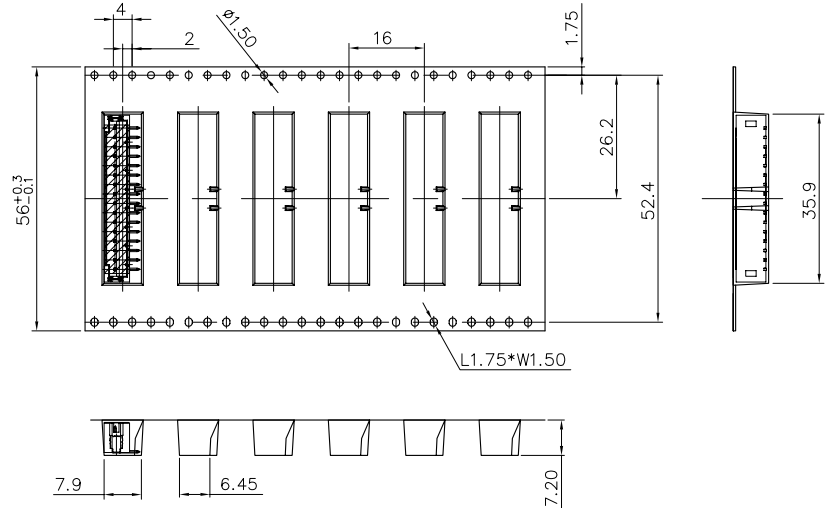
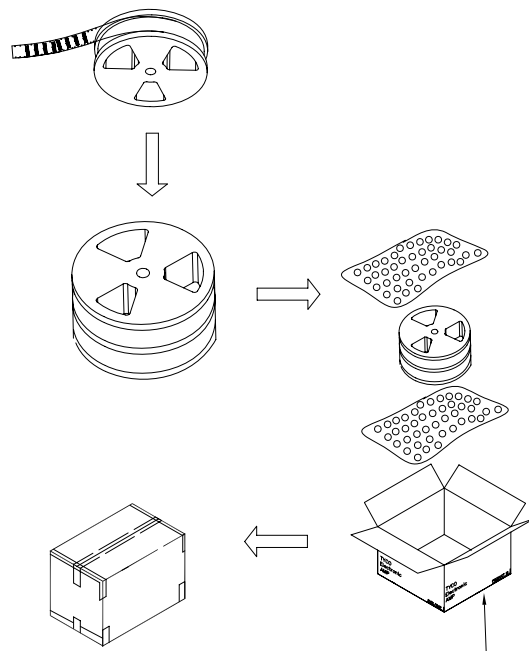
HPI CONN., 2.0MM PITCH, V/T, SMT TYPE

NAME: _____

SIZE: A3 CAGE CODE: 00779 DRAWING NO: C=1775470 RESTRICTED TO: _____



FOR 13~16PIN



1,500	500	16P	3-1775470-6
1,500	500	15P	3-1775470-5
1,500	500	14P	3-1775470-4
1,500	500	13P	3-1775470-3
1,500	500	16P	1-1775470-6
1,500	500	15P	1-1775470-5
1,500	500	14P	1-1775470-4
1,500	500	13P	1-1775470-3
PCS/CARTON	PCS/REEL	POS	PART NUMBER

THIS DRAWING IS A CONTROLLED DOCUMENT.

DIMENSIONS: MM

TOLERANCES UNLESS OTHERWISE SPECIFIED:
 0 PLC ± -
 1 PLC ± -
 2 PLC ± -
 3 PLC ± -
 4 PLC ± -
 ANGLES ± -

MATERIAL FINISH

DWN
 CHK
 APVD
 PRODUCT SPEC
 APPLICATION SPEC
 WEIGHT

NAME
 HPI CONN., 2.0MM PITCH, V/T, SMT TYPE

SIZE A3 CAGE CODE 00779 DRAWING NO G=1775470 RESTRICTED TO

CUSTOMER DRAWING SCALE SHEET 4 OF 4 REV B

X-ON Electronics

Largest Supplier of Electrical and Electronic Components

Click to view similar products for [Headers & Wire Housings](#) category:

Click to view products by [TE Connectivity](#) manufacturer:

Other Similar products are found below :

[892-18-020-10-001101](#) [58102-G61-06LF](#) [582553-1](#) [0009485154](#) [009176003701906](#) [0050291907](#) [LY20-4P-DT1-P1E-BR](#) [02.125.8002.8](#)
[609-3404](#) [61062-3](#) [61082-181009](#) [622-3653LF](#) [63453-116](#) [636-1030](#) [636-1427](#) [636-3427](#) [636-4007](#) [641938-9](#) [641991-4](#) [644827-2](#) [65817-010LF](#) [65817-015LF](#) [65863-015LF](#) [66207-023LF](#) [67095-007LF](#) [67601157](#) [68645-018](#) [68648-049](#) [70.362.1628.0](#) [70-4210](#) [70-4226B](#) [70-4853B](#) [707-5020](#) [707-5028](#) [71.350.2428.0](#) [71918-208LF](#) [71961-016LF](#) [733-134](#) [733-162](#) [754199-000](#) [760-3052](#) [787-8014-00](#) [79531-3000](#)
[FCN-360C032-B](#) [FCN-367T-T012/H](#) [FCN-723D010/2](#) [80.063.4001.1](#) [800-90-001-10-001000](#) [800-90-010-10-002000](#) [801-43-002-10-013000](#)