

THIS DRAWING IS UNPUBLISHED.

RELEASED FOR PUBLICATION

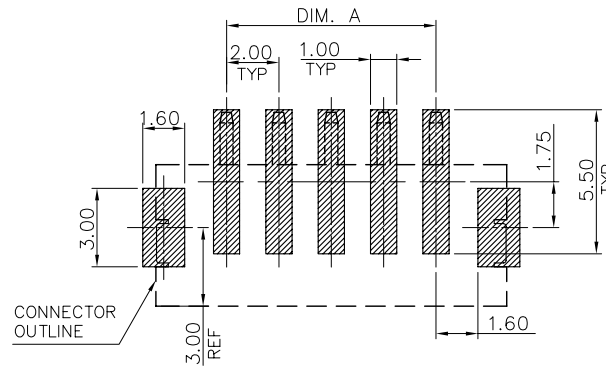
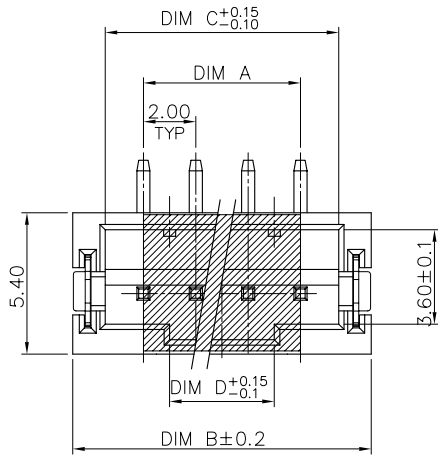
ALL RIGHTS RESERVED.

© COPYRIGHT BY

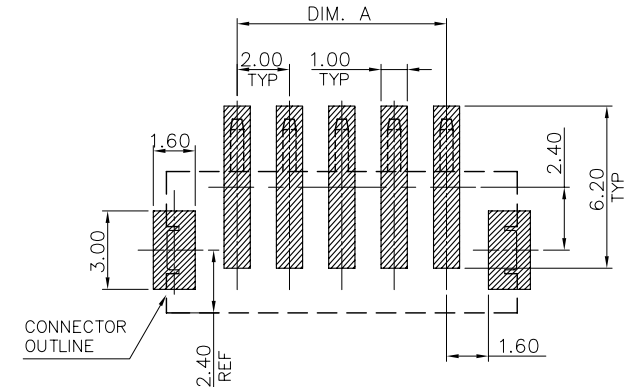
LOC DW DIST

REVISIONS

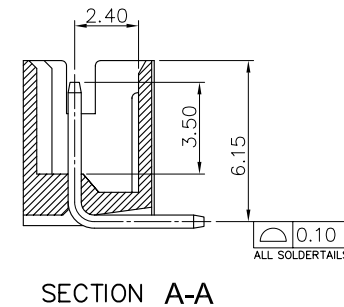
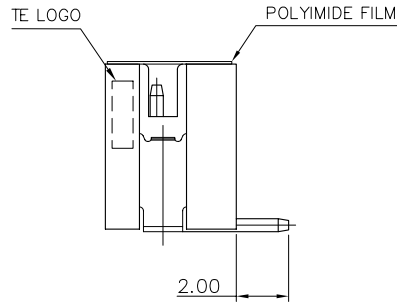
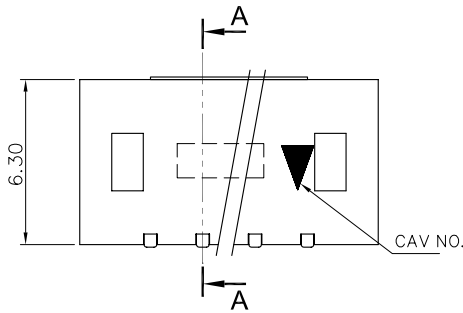
P	LTR	DESCRIPTION	DATE	DWN	APVD
B		REVISED (ECR-11-011782)	08JUN11	JL	WK



RECOMMENDED PCB LAYOUT TOLERANCE: ±0.05



RECOMMENDED PCB LAYOUT TOLERANCE: ±0.05



SECTION A-A

NOTE:

- MATERIAL :  
HOUSING : PA9T, UL 94V-0, COLOR: NATURAL.  
CONTACT : BRASS, THICKNESS=0.50mm.  
SOLDER PEG : BRASS
- FINISH:  
CONTACT :  $\Delta 2\mu\text{m}$  [80 $\mu$ ] MIN. MATTE TIN PLATED OVER  
1.27 $\mu\text{m}$  [50 $\mu$ ] MIN. NICKEL UNDERPLATED ALL OVER.  
 $\Delta$  GOLD FLASH OVER 1.27 $\mu\text{m}$  [50 $\mu$ ] MIN. NICKEL UNDERPLATED ALL OVER.  
PEG : 2 $\mu\text{m}$  [80 $\mu$ ] MATTE TIN, 1.27 $\mu\text{m}$  [50 $\mu$ ] NICEL.
- REFLOW SOLDER CAPABLE TO 260°C PER TE CONNECTIVITY SPEC 109-201, CONDITION B.

$\Delta$ B	28.00	32.90	35.40	30.00	16P	3-1775470-6
	26.00	30.90	33.40	28.00	15P	3-1775470-5
	24.00	28.90	31.40	26.00	14P	3-1775470-4
	22.00	26.90	29.40	24.00	13P	3-1775470-3
	20.00	24.90	27.40	22.00	12P	3-1775470-2
	18.00	22.90	25.40	20.00	11P	3-1775470-1
	16.00	20.90	23.40	18.00	10P	3-1775470-0
	14.00	18.90	21.40	16.00	9P	2-1775470-9
	12.00	16.90	19.40	14.00	8P	2-1775470-8
	10.00	14.90	17.40	12.00	7P	2-1775470-7
	8.00	12.90	15.40	10.00	6P	2-1775470-6
	6.00	10.90	13.40	8.00	5P	2-1775470-5
	4.00	8.90	11.40	6.00	4P	2-1775470-4
	2.00	6.90	9.40	4.00	3P	2-1775470-3
	0.60	4.90	7.40	2.00	2P	2-1775470-2
$\Delta$ A	28.00	32.90	35.40	30.00	16P	1-1775470-6
	26.00	30.90	33.40	28.00	15P	1-1775470-5
	24.00	28.90	31.40	26.00	14P	1-1775470-4
	22.00	26.90	29.40	24.00	13P	1-1775470-3
	20.00	24.90	27.40	22.00	12P	1-1775470-2
	18.00	22.90	25.40	20.00	11P	1-1775470-1
	16.00	20.90	23.40	18.00	10P	1-1775470-0
	14.00	18.90	21.40	16.00	9P	1775470-9
	12.00	16.90	19.40	14.00	8P	1775470-8
	10.00	14.90	17.40	12.00	7P	1775470-7
	8.00	12.90	15.40	10.00	6P	1775470-6
	6.00	10.90	13.40	8.00	5P	1775470-5
	4.00	8.90	11.40	6.00	4P	1775470-4
	2.00	6.90	9.40	4.00	3P	1775470-3
	0.60	4.90	7.40	2.00	2P	1775470-2
THICKNESS	DIM D	DIM C	DIM B	DIM A	POS	PART NUMBER

THIS DRAWING IS A CONTROLLED DOCUMENT.

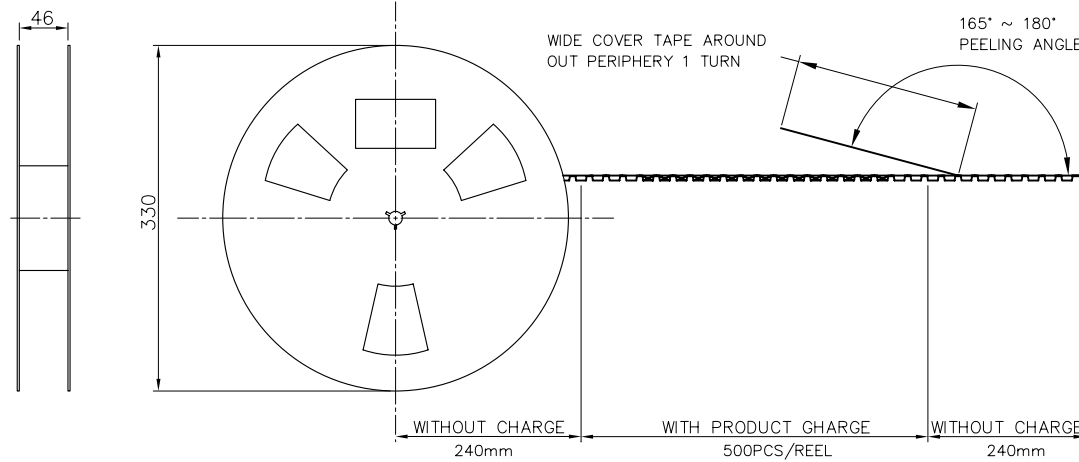
DWN S. CHIEN 06JAN2009  
CHK S. CHIEN 06JAN2009  
APVD W. KODAMA 06JAN2009

PRODUCT SPEC  
108-57100  
QUALIFICATION TEST REPORT  
501-57058  
WEIGHT - GRAMS

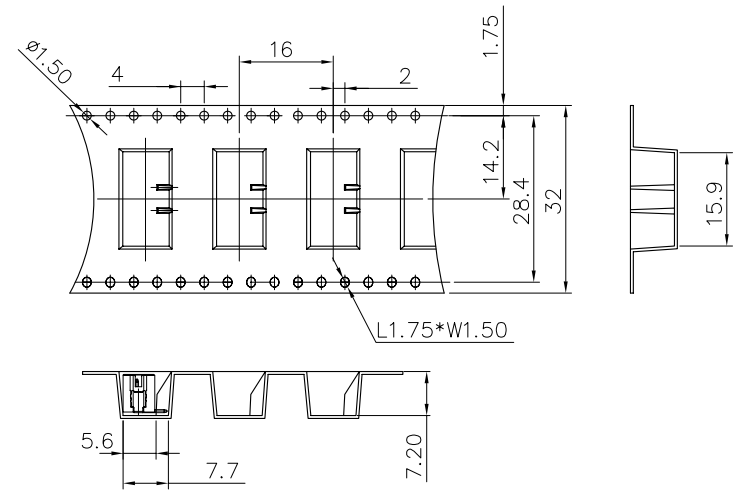
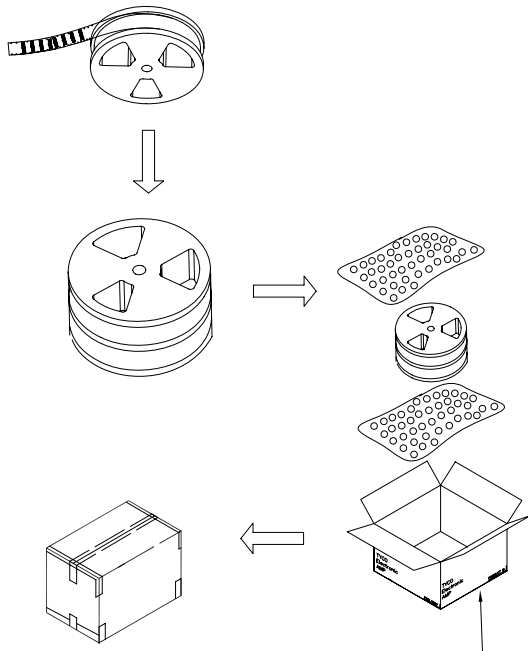
TE Connectivity  
HPI CONN., 2.0MM PITCH, V/T, SMT TYPE

SIZE A3 CAGE CODE 00779 DRAWING NO. C=1775470 RESTRICTED TO

CUSTOMER DRAWING SCALE SHEET 1 of 4 REV B



FOR 2~6PIN

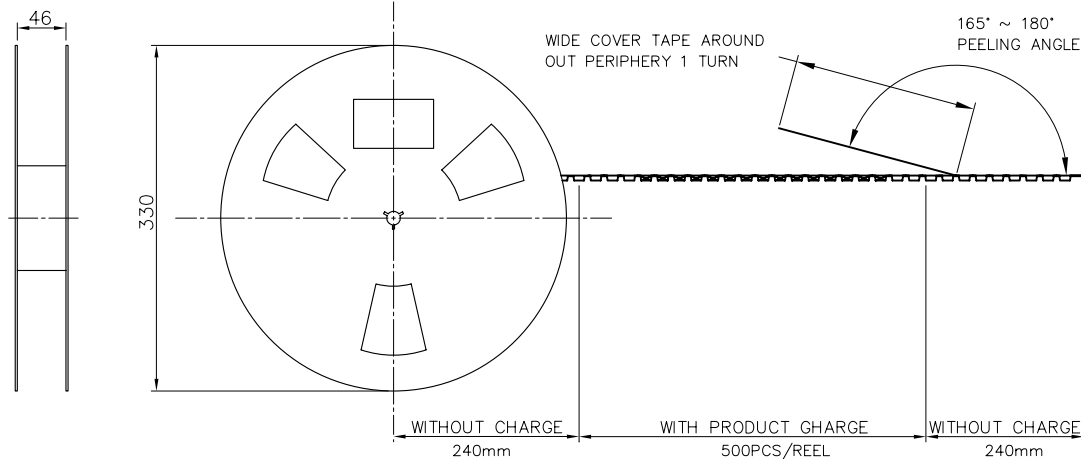


2,500	500	6P	2-1775470-6
2,500	500	5P	2-1775470-5
2,500	500	4P	2-1775470-4
2,500	500	3P	2-1775470-3
2,500	500	2P	2-1775470-2
2,500	500	6P	1775470-6
2,500	500	5P	1775470-5
2,500	500	4P	1775470-4
2,500	500	3P	1775470-3
2,500	500	2P	1775470-2
PCS/CARTON	PCS/REEL	POS	PART NUMBER

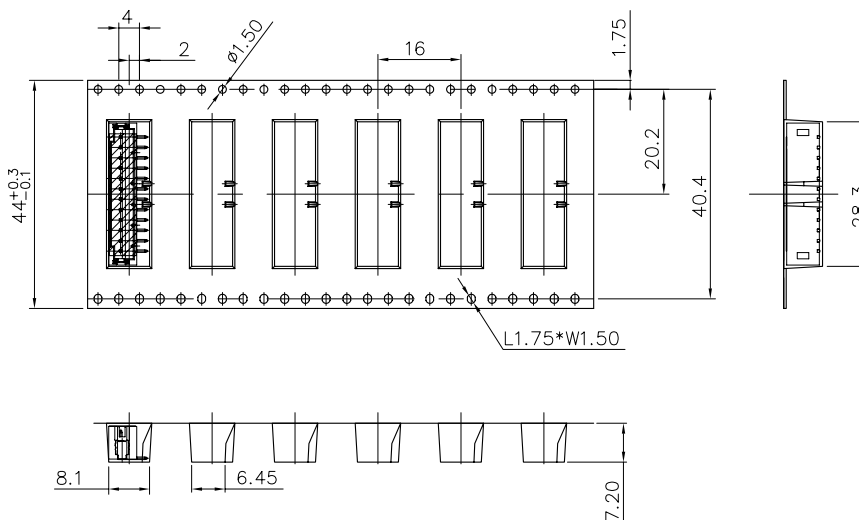
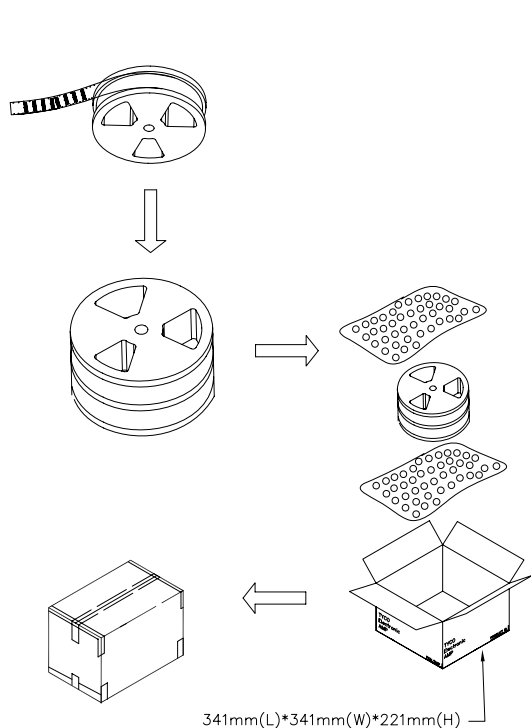
THIS DRAWING IS A CONTROLLED DOCUMENT.

DIMENSIONS: MM	TOLERANCES UNLESS OTHERWISE SPECIFIED:	DWN	<b>TE Connectivity</b> HPI CONN., 2.0MM PITCH, V/T, SMT TYPE
0 PLC ±	1 PLC ±	CHK	
2 PLC ±	3 PLC ±	APVD	
4 PLC ±	ANGLES ±	PRODUCT SPEC	
FINISH		APPLICATION SPEC	
MATERIAL		WEIGHT	NAME
		CUSTOMER DRAWING	SIZE A3 CAGE CODE 00779 DRAWING NO G=1775470 RESTRICTED TO
		SCALE	SHEET 2 of 4 REV B

P	LTR	DESCRIPTION	DATE	DWN	APVD
		SEE SHEET 1.			



FOR 7~12PIN



PCS/CARTON	PCS/REEL	POS	PART NUMBER
2,000	500	12P	3-1775470-2
2,000	500	11P	3-1775470-1
2,000	500	10P	3-1775470-0
2,000	500	9P	2-1775470-9
2,000	500	8P	2-1775470-8
2,000	500	7P	2-1775470-7
2,000	500	12P	1-1775470-2
2,000	500	11P	1-1775470-1
2,000	500	10P	1-1775470-0
2,000	500	9P	1775470-9
2,000	500	8P	1775470-8
2,000	500	7P	1775470-7

THIS DRAWING IS A CONTROLLED DOCUMENT.

DIMENSIONS: MM	TOLERANCES UNLESS OTHERWISE SPECIFIED:	DWN	CHK	APVD	NAME
0 PLC ± -	1 PLC ± -	PRODUCT SPEC			<b>STE</b> TE Connectivity <b>HPI CONN., 2.0MM PITCH, V/T, SMT TYPE</b>
2 PLC ± -	3 PLC ± -	APPLICATION SPEC			
4 PLC ± -	ANGLES ± -	WEIGHT			SIZE CAGE CODE DRAWING NO RESTRICTED TO
MATERIAL	FINISH	CUSTOMER DRAWING			A300779 C=1775470
		SCALE	SHEET	REV	

THIS DRAWING IS UNPUBLISHED.

RELEASED FOR PUBLICATION

AUG 2006

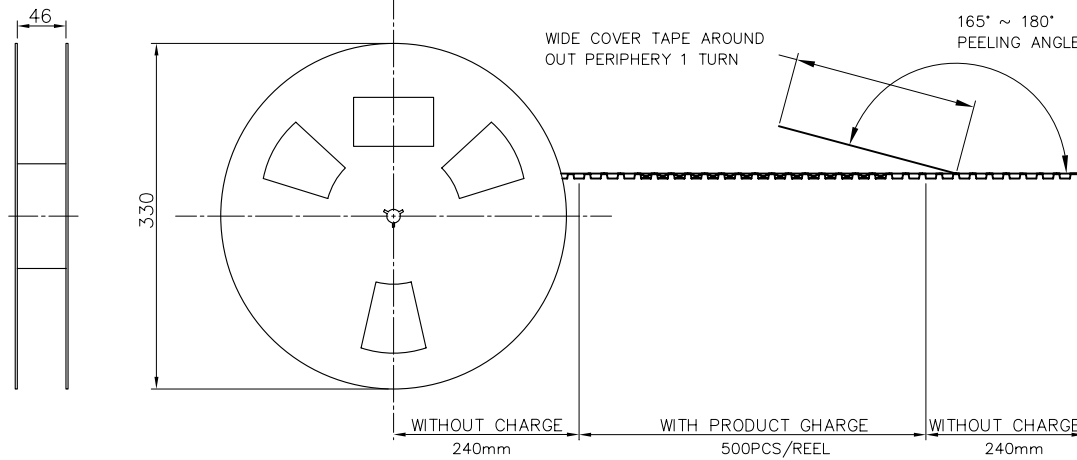
LOC DW

DIST

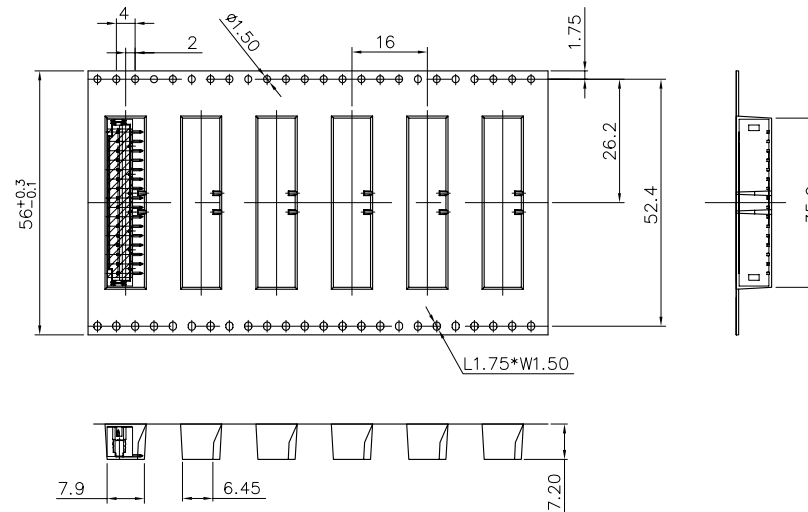
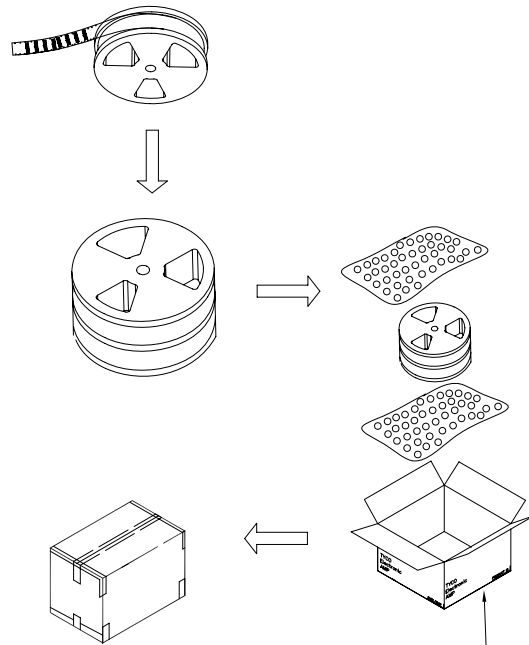
REVISIONS

© COPYRIGHT BY TYCO ELECTRONICS CORPORATION. ALL RIGHTS RESERVED.

P	LTR	DESCRIPTION	DATE	DWN	APVD
		SEE SHEET 1.			



FOR 13~16PIN



1,500	500	16P	3-1775470-6
1,500	500	15P	3-1775470-5
1,500	500	14P	3-1775470-4
1,500	500	13P	3-1775470-3
1,500	500	16P	1-1775470-6
1,500	500	15P	1-1775470-5
1,500	500	14P	1-1775470-4
1,500	500	13P	1-1775470-3
PCS/CARTON	PCS/REEL	POS	PART NUMBER

THIS DRAWING IS A CONTROLLED DOCUMENT.

DWN

CHK

APVD

PRODUCT SPEC

APPLICATION SPEC

WEIGHT

CUSTOMER DRAWING

NAME

HPI CONN., 2.0MM PITCH, V/T, SMT TYPE

SIZE A3

CAGE CODE 00779

DRAWING NO C=1775470

RESTRICTED TO

SCALE

SHEET 4 OF 4

REV B

DIMENSIONS:	TOLERANCES UNLESS OTHERWISE SPECIFIED:
MM	
	0 PLC ± -
	1 PLC ± -
	2 PLC ± -
	3 PLC ± -
	4 PLC ± -
	ANGLES ± -

MATERIAL

FINISH

## X-ON Electronics

Largest Supplier of Electrical and Electronic Components

*Click to view similar products for [Headers & Wire Housings](#) category:*

*Click to view products by [TE Connectivity](#) manufacturer:*

Other Similar products are found below :

[892-18-020-10-001101](#) [58102-G61-06LF](#) [582553-1](#) [0009485154](#) [009176003701906](#) [0050291907](#) [LY20-4P-DT1-P1E-BR](#) [02.125.8002.8](#)  
[609-3404](#) [61062-3](#) [61082-181009](#) [622-3653LF](#) [63453-116](#) [636-1030](#) [636-1427](#) [636-3427](#) [636-4007](#) [641938-9](#) [641991-4](#) [644827-2](#) [65817-](#)  
[010LF](#) [65817-015LF](#) [65863-015LF](#) [66207-023LF](#) [67095-007LF](#) [67601157](#) [68645-018](#) [68648-049](#) [70.362.1628.0](#) [70-4210](#) [70-4226B](#) [70-](#)  
[4853B](#) [707-5020](#) [707-5028](#) [71.350.2428.0](#) [71918-208LF](#) [71961-016LF](#) [733-134](#) [733-162](#) [754199-000](#) [760-3052](#) [79531-3000](#) [FCN-](#)  
[360C032-B](#) [FCN-367T-T012/H](#) [FCN-723D010/2](#) [80.063.4001.1](#) [800-90-001-10-001000](#) [800-90-010-10-002000](#) [801-43-002-10-013000](#)  
[801-43-006-10-002000](#)