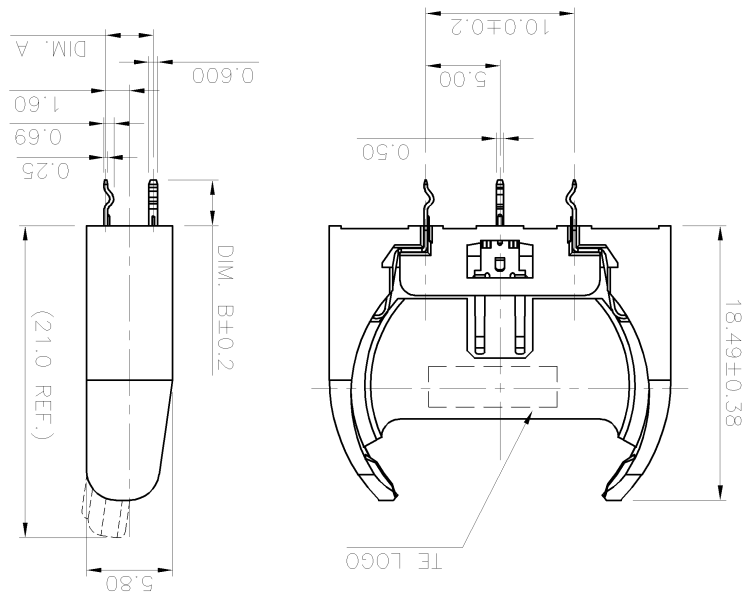
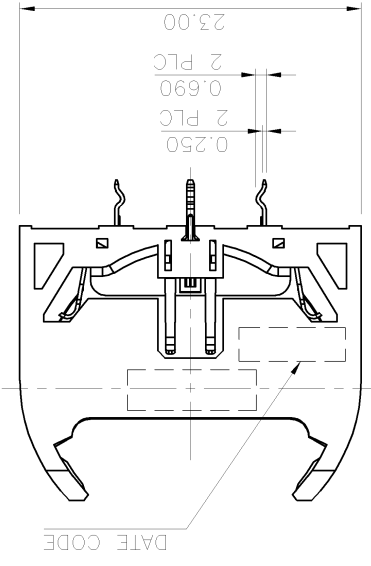
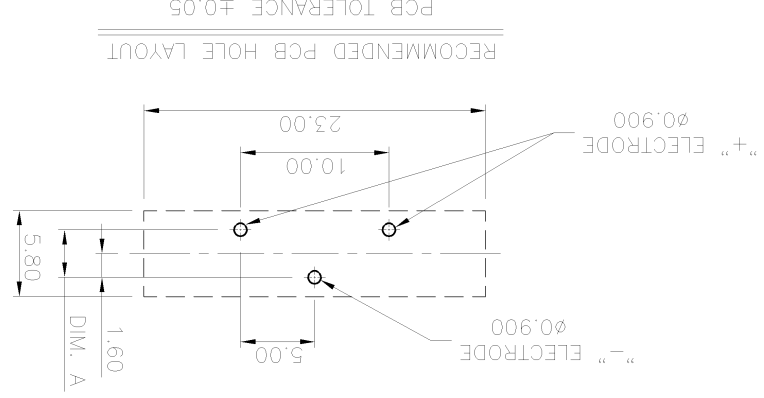
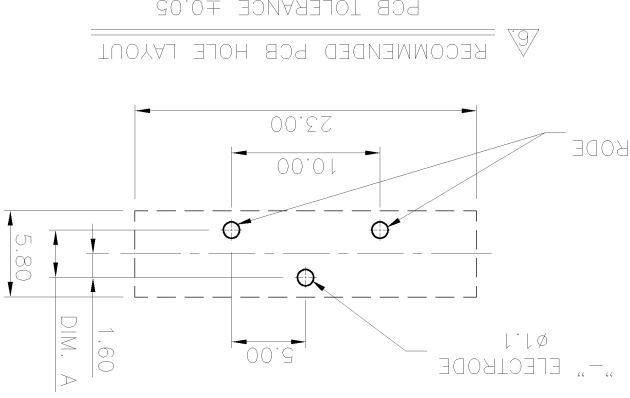
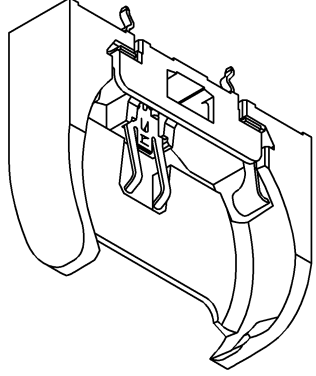


SEE NOTE		SEE NOTE	
MATERIAL		FINISH	
MM		0 PLC ± 1 PLC ±0.38 2 PLC ±0.25 3 PLC ±0.15 4 PLC ±.2	
DIMENSIONS:		TOLERANCES UNLESS OTHERWISE SPECIFIED:	
03JUN2008		03JUN2008	
DWM S. CHIEN		DWM S. CHIEN	
CHK S. CHIEN		CHK S. CHIEN	
APVD W. KODAMA		APVD W. KODAMA	
NAME		PRODUCT SPEC	
TE Connectivity		108-57542	
BATTERY HOLDER, H=18.5mm, V/T		QUALIFICATION TEST REPORT	
RESTRICTED TO		501-57624	
SIZE		WEIGHT 1.19 GRAMS	
DRAWING NO		A3 00779	
SCALE		C=1775485	
SHEET		1 OF 2	
REV		A6	

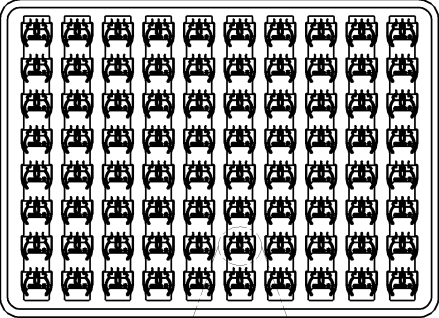
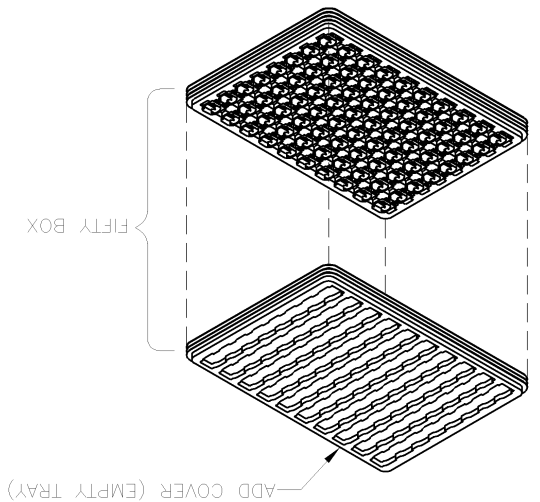
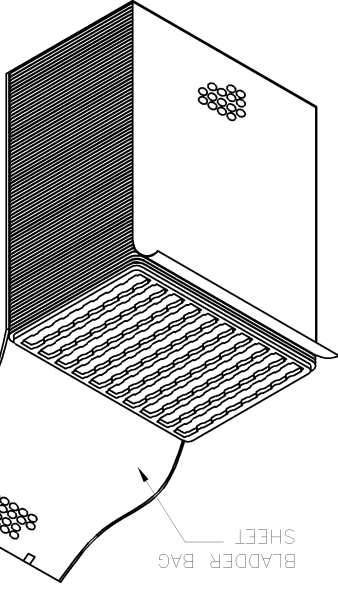
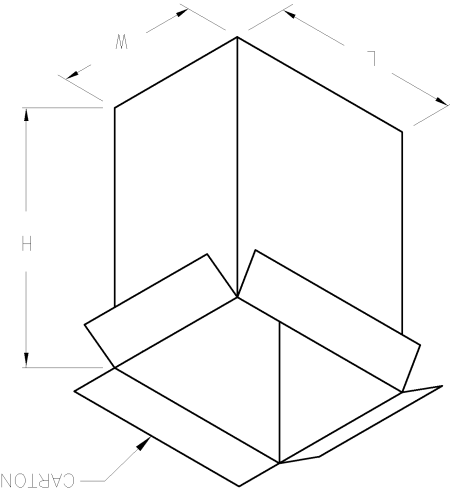
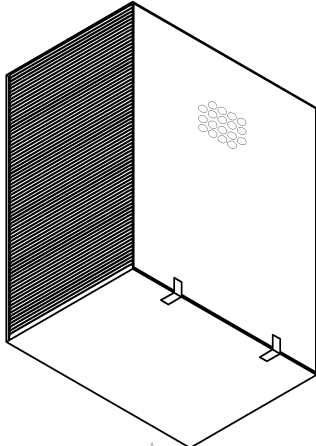
PART NO.	COLOR	DIM A	DIM B
1775485-1	BLACK	3.6 mm	3.0 mm
1775485-2	2718C BLUE	3.6 mm	3.0 mm
1-1775485-1	BLACK	3.2 mm	3.0 mm
1-1775485-2	2718C BLUE	3.2 mm	3.0 mm
2-1775485-1	BLACK	3.6 mm	3.6 mm



- NOTES :
1. MATERIAL : NY66 WITH 25% GF, UL94 V-0, COLOR: SEE TABLE
 2. FINISH : 1.2 CONTACT: STAINLESS STEEL
2.1 CONTACT: GOLD FLASH PLATING ON CONTACT AREA,
2.54um [100u"] MIN. MATTE-TIN PLATING ON SOLDERING AREA,
0.76um [30u"] MIN. NICKEL UNDERPLATING OVERALL.
 3. WAVE SOLDER CAPABLE TO 265°C PER TE SPEC. 109-202, CONDITION B.
 4. RECOMMENDED PCB THICKNESS: 1.6mm
 5. SUITABLE FOR BATTERY NO.: CR2032.
 6. LOW PCB RETENTION FORCE.

DW		DIST	
LTR		P	
A6		REVISD (EGR-12-021399)	
21DEC12		JL WK	
DATE		APVD	
DESCRIPTION		REV	
REVISIONS		1	

THIS DRAWING IS A CONTROLLED DOCUMENT. DIMENSIONS: MM TOLERANCES UNLESS OTHERWISE SPECIFIED:		FINISH: 0 P.L.C. ±.000 1 P.L.C. ±.000 2 P.L.C. ±.000 3 P.L.C. ±.000 4 P.L.C. ±.000		MATERIAL:	
DWN CHK APVD		PRODUCT SPEC APPLICATION SPEC WEIGHT:		CUSTOMER DRAWING A3 00779 ©=1775485	
NAME:		SIZE:		SCALE:	
BATTERY HOLDER, H=18.5mm, V/T		DRAWING NO:		SHEET 2 OF 2	
STC TE Connectivity		RESTRICTED TO		REV A6	



- NOTES :
1. MATERIAL: 1.1 TRAY: PVC
 2. DIMENSION: 1.2 SHIPPING CARTON: CORRUGATED FIBERBOARD
 3. QUANTITY: 2.1 TRAY: L=345, W=250, H=7.4
2.2 SHIPPING CARTON: L=365, W=270, H=525
 4. CARTON WEIGHT: 3.1 PRIMARY PACKING: 80 PCS/TRAY
3.2 SECONDARY PACKING: 50 TRAY/CARTON(4,000PCS)
 - 4.1 NET WEIGHT: 4.76 KG
4.2 GROSS WEIGHT: 8.26 KG

THIS DRAWING IS UNPUBLISHED. RELEASED FOR PUBLICATION AUG. 1, 2008.		BY TYCO ELECTRONICS CORPORATION. ALL RIGHTS RESERVED.	
LOC	DW	P	LTR
DIST	DESCRIPTION	DATE	DWN
1	REVISIONS	APVD	SEE SHEET 1.

X-ON Electronics

Largest Supplier of Electrical and Electronic Components

Click to view similar products for [Headers & Wire Housings](#) category:

Click to view products by [TE Connectivity](#) manufacturer:

Other Similar products are found below :

[95000-104TRLF](#) [10135584-644402LF](#) [DF62W-EP2022PCA](#) [95000-106TRLF](#) [DF62W-2022SCA](#) [DF62W-EP2022PC](#) [2203348](#) [DF62W-2022SC](#) [1084018](#) [1029039](#) [1084017](#) [802-10-012-10-002000](#) [1112640](#) [1112639](#) [000-34000](#) [0009482033](#) [0009507031](#) [57102-S06-03LF](#) [57202-S52-04LF](#) [PCN6-15S-2.5E](#) [0039019024](#) [58102-G61-06LF](#) [582553-1](#) [0009485154](#) [0009508121](#) [0022285053](#) [0050291907](#) [018731A](#) [LY20-4P-DT1-P1E-BR](#) [02.125.8002.8](#) [60101931](#) [60598-1 \(Cut Strip\)](#) [M1625-3R/100](#) [61062-3](#) [61082-181009](#) [636-1427](#) [638009-1](#) [641938-9](#) [641991-4](#) [644168-1](#) [647662-1](#) [65039-019ELF](#) [65817-002LF](#) [65817-015LF](#) [65863-015LF](#) [66207-023LF](#) [67016-026LF](#) [67046-001LF](#) [67095-007LF](#) [67230-005LF](#)