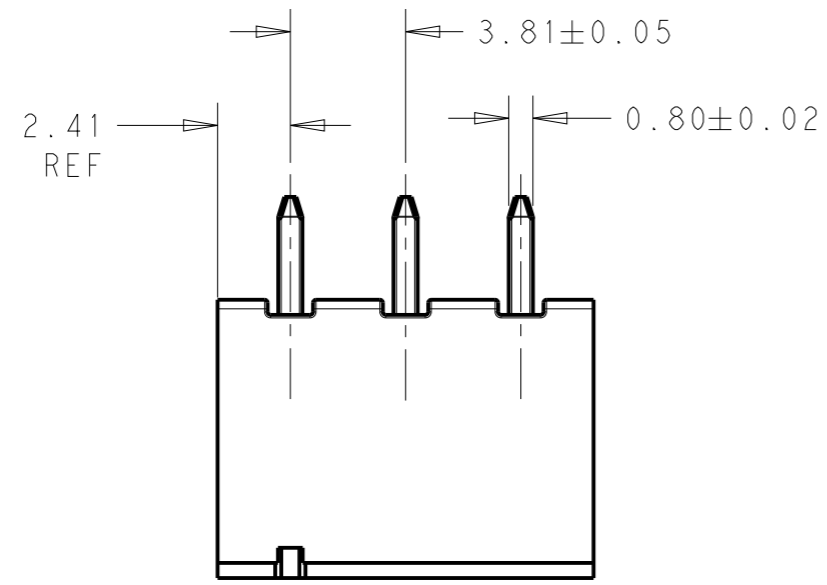
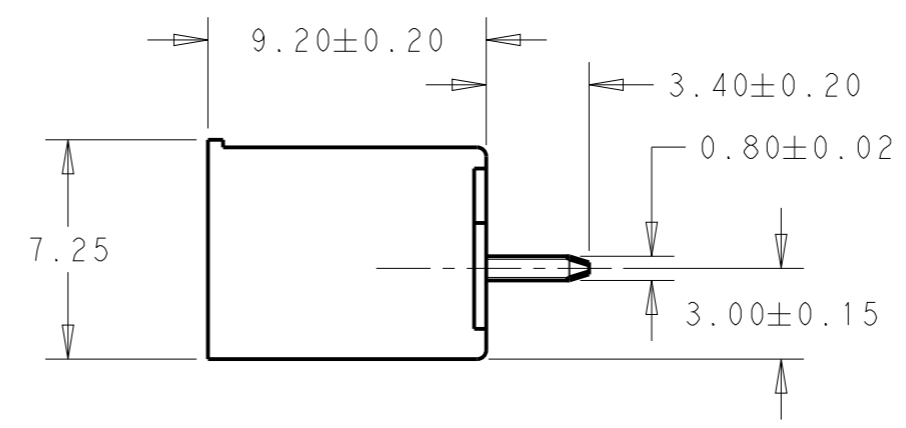
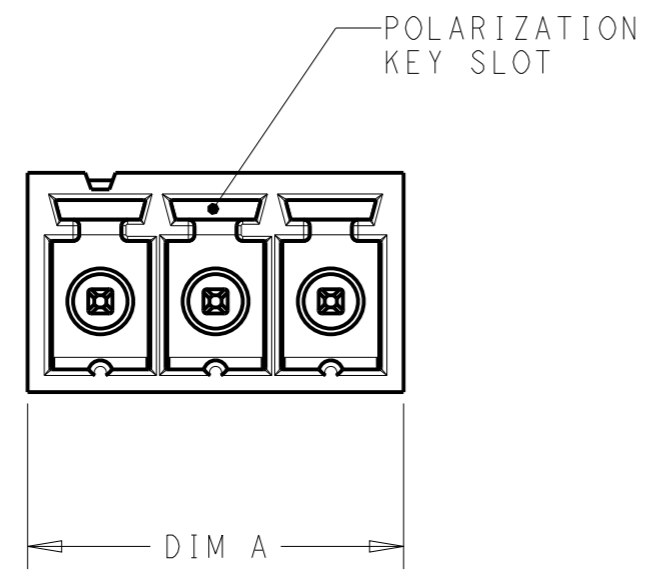


THIS DRAWING IS UNPUBLISHED. RELEASED FOR PUBLICATION 20
 © COPYRIGHT 20 BY - ALL RIGHTS RESERVED.

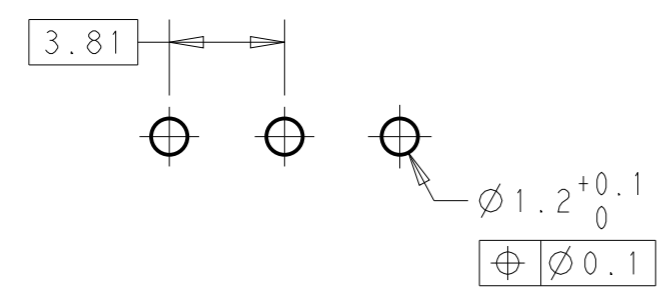
REVISIONS					
P	LTR	DESCRIPTION	DATE	DWN	APVD
	A	REVISED PER ECO-14-009591	07OCT2014	NK	MM



- 1 MATERIALS AND FINISH:
 HOUSING: HIGH TEMPERATURE POLYAMIDE, UL94V-0,
 COLOR: BLACK.
 TERMINAL: PHOSPHOR BRONZE, TIN PLATED.
- 2 SUITABLE FOR 1.6-2.4mm PC BOARD THICKNESS.
- 3 UL RATING: 300V, 11A



46.73	12	1-1776131-2
42.92	11	1-1776131-1
39.11	10	1-1776131-0
35.30	9	1776131-9
31.49	8	1776131-8
27.68	7	1776131-7
23.87	6	1776131-6
20.06	5	1776131-5
16.25	4	1776131-4
12.44	3	1776131-3
8.63	2	1776131-2
DIM A	NO OF POS.	PART NUMBER



RECOMMENDED PC BOARD LAYOUT

THIS DRAWING IS A CONTROLLED DOCUMENT.		DWN S. SCHLEGEL 06JAN2010	TE Connectivity	
DIMENSIONS: mm		CHK C RICHARD 06JAN2010		
TOLERANCES UNLESS OTHERWISE SPECIFIED:		APVD C RICHARD 06JAN2010	NAME TERMINAL BLOCK HEADER ASSEMBLY, STRAIGHT, CLOSED ENDS, 3.81mm PITCH	
0 PLC ±-	±0.3	PRODUCT SPEC	-	
1 PLC ±-	±0.25	APPLICATION SPEC	-	
2 PLC ±-	±-	WEIGHT	-	
3 PLC ±-	±-	CUSTOMER DRAWING	-	
4 PLC ANGLES ±-	±2°		SIZE A3	CAGE CODE 00779
MATERIAL	FINISH		DRAWING NO C=1776131	RESTRICTED TO
1	-		SCALE 4:1	SHEET 1 OF 1
				REV A

X-ON Electronics

Largest Supplier of Electrical and Electronic Components

Click to view similar products for [Pluggable Terminal Blocks](#) category:

Click to view products by [TE Connectivity](#) manufacturer:

Other Similar products are found below :

[57.510.0053](#) [MC 1.5/ 6-ST-3.5 GY AU](#) [734-104](#) [734-302](#) [8-141-P](#) [8426620000](#) [860505](#) [860516](#) [860810](#) [GBPACX-12](#) [93.731.4953.0](#) [PV05-5,08-K](#) [PVP02-5,00](#) [PVP03-3,50](#) [PVP04-3,50](#) [PVS02-5,00](#) [1-1986160-3](#) [1377680000](#) [1531000000](#) [1546228-5](#) [ELFH16150](#) [ELFP03110](#) [ELFP10210](#) [ELFT06250](#) [ELVP03100](#) [1700101](#) [1700410](#) [1700425](#) [1702246](#) [1705229](#) [1710175](#) [1714537](#) [1717806](#) [1719600](#) [1728941](#) [1734692](#) [1734795](#) [1736036](#) [1740194](#) [1740291](#) [1740628](#) [1740990](#) [1746952](#) [1750207](#) [1752441](#) [1752865](#) [1754115](#) [1754144](#) [1756913](#) [1760051](#)