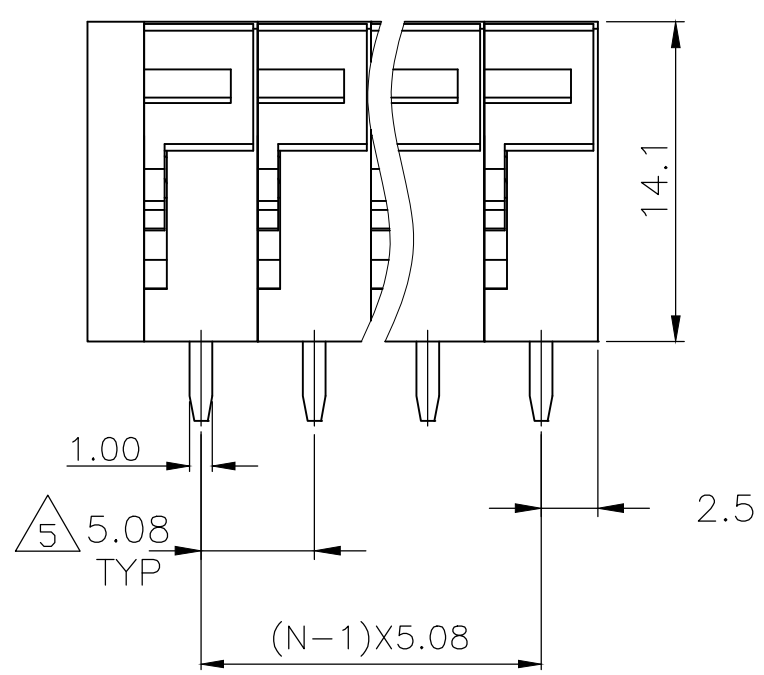
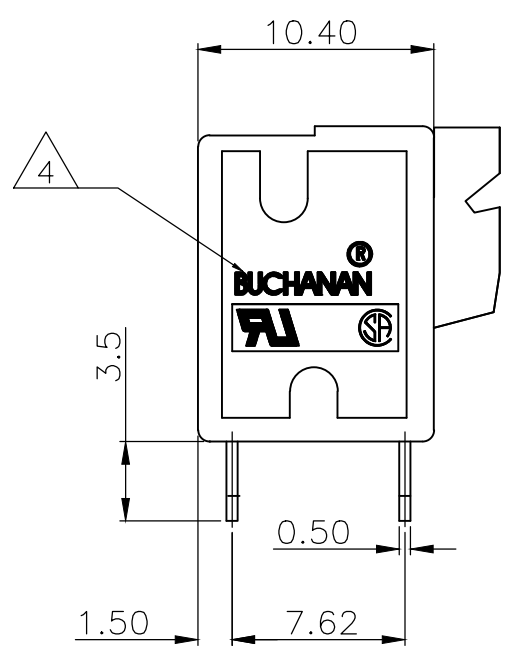
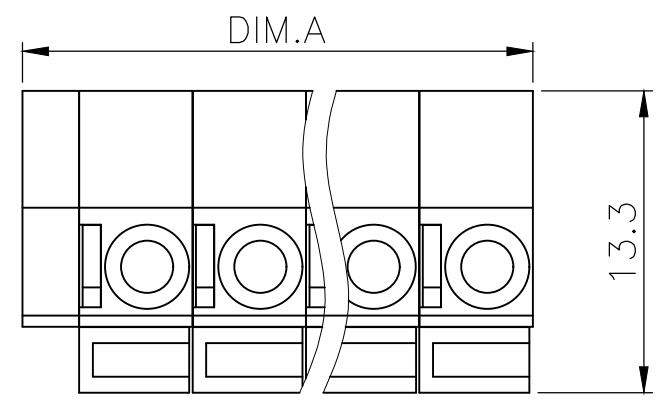
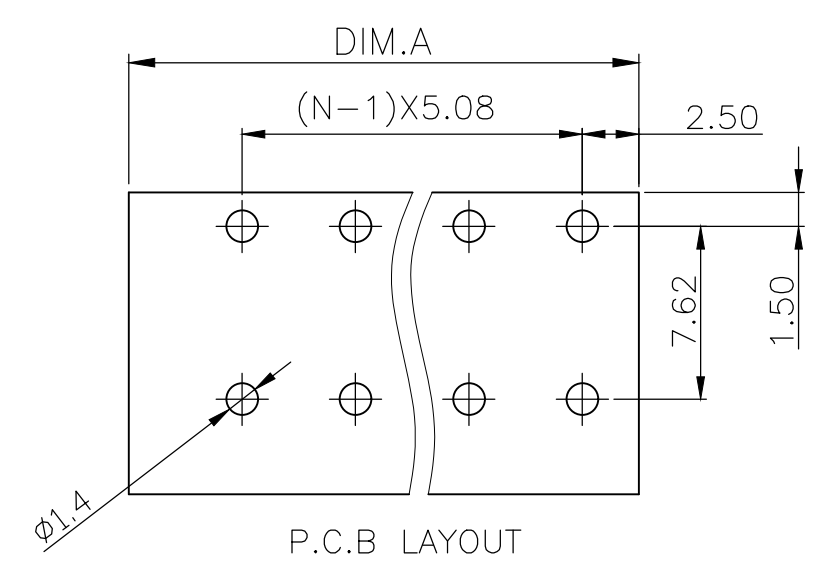


THIS DRAWING IS UNPUBLISHED. RELEASED FOR PUBLICATION
 © COPYRIGHT - By - ALL RIGHTS RESERVED.

REVISIONS					
P	LTR	DESCRIPTION	DATE	DWN	APVD
	R	DESIGN IMPROVEMENT	22JUL2019	RK	PS



63.46	12	1-1776260-2
58.38	11	1-1776260-1
53.30	10	1-1776260-0
48.22	9	1776260-9
43.14	8	1776260-8
38.06	7	1776260-7
32.98	6	1776260-6
27.90	5	1776260-5
22.82	4	1776260-4
17.74	3	1776260-3
12.66	2	1776260-2
DIM. A	NO. OF POS.	PART NUMBER



N=NUMBER OF CONTACTS

THIS DRAWING IS A CONTROLLED DOCUMENT.		DWN S SCHLEGEL 5/6/05	TE Connectivity Ltd.		
DIMENSIONS: mm		CHK C RICHARD 5/6/05			
TOLERANCES UNLESS OTHERWISE SPECIFIED:		APVD C RICHARD 5/6/05	NAME		
0 PLC ± -		PRODUCT SPEC	TERMINAL BLOCK, BOARD MT. SCREWLESS		
1 PLC ± 0.3		APPLICATION SPEC	TOP WIRE ENTRY, 5.08mm PITCH		
2 PLC ± 0.2		WEIGHT -	SIZE	CAGE CODE	DRAWING NO
3 PLC ± -		CUSTOMER DRAWING	A3	00779	C-1776260
4 PLC ± -			SCALE	SHEET	REV
ANGLES ± -		NTS	1 OF 2	R	
FINISH -					

THIS DRAWING IS UNPUBLISHED.

RELEASED FOR PUBLICATION

-. - .

REVISIONS

© COPYRIGHT - By -

ALL RIGHTS RESERVED.

P	LTR	DESCRIPTION	DATE	DWN	APVD
-	-	SEE SHEET 1	-	-	-

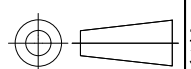
1. MATERIAL:
HOUSING: POLYAMIDE, UL94V-0, GREEN.
CONTACT: COPPER ALLOY, TIN PLATED.
WIRE GUARD: STAINLESS STEEL.
2. ELECTRICAL:
MAX. CURRENT RATING: 10 A.
CONTACT RESISTANCE: 20mΩ MAX.
INSULATION RESISTANCE: 500MΩ/500VAC.
DIELECTRIC WITHSTANDING VOLTAGE: 2000VAC MIN.
OPERATING VOLTAGE: 300VAC.
WIRE RANGE: 14-22AWG.
3. MECHANICAL:
WIRE RETENTION FORCE: 1.2 KG (MIN).
OPERATING TEMPERATURE: -55°C TO +105°C.

APPLICATION AND FEATURES:

- THIS SCREWLESS TERMINALS ARE SUITABLE FOR BOTH SOLID AND STRANDED CONDUCTORS.
- A SPRING MADE OF STAINLESS STEEL GUARANTEES FOR PERMANENT AND SAFE CONTACT.
- THIS IS OPERATED BY PUSHING A SCREW DRIVER ON THE LEVER. THIS LEVER IS FULLLY INTEGRATED INTO THE BODY.

4 BUCHANAN LOGO, UL & CSA LOGO'S LOCATED APPROX. AS SHOWN.
TEXT MUST BE LEGIBLE.

5 NON CUMULATIVE

THIS DRAWING IS A CONTROLLED DOCUMENT.		DWN S SCHLEGEL	5/6/05	STE TE Connectivity Ltd.	
DIMENSIONS: mm		CHK C RICHARD	5/6/05		
		TOLERANCES UNLESS OTHERWISE SPECIFIED:		NAME C RICHARD	
		0 PLC ± - 1 PLC ± 0.3 2 PLC ± 0.2 3 PLC ± - 4 PLC ± - ANGLES ± -		APVD C RICHARD	
MATERIAL -		FINISH -		PRODUCT SPEC -	
		APPLICATION SPEC -		DRAWING NO A3 00779 C-1776260	
		WEIGHT -		RESTRICTED TO -	
CUSTOMER DRAWING				SCALE NTS	SHEET 2 OF 2
				REV R	

X-ON Electronics

Largest Supplier of Electrical and Electronic Components

Click to view similar products for [Fixed Terminal Blocks](#) category:

Click to view products by [TE Connectivity](#) manufacturer:

Other Similar products are found below :

[MBE-1512](#) [MBE-154](#) [MBE-156](#) [MBES-153](#) [MBES-156](#) [MH-2512](#) [MHE-132](#) [MHE-163](#) [MI-254 \(35\)](#) [MI-272](#) [880507](#) [MPT-275](#)
[15602-04-08-21](#) [ELM023100](#) [BA311TU](#) [BA411SU](#) [MV-152](#) [MV-252-D](#) [MV-253/NCNOC](#) [MV-254-D](#) [MV-255](#) [MV-462](#) [MV-493](#) [MVE-](#)
[252](#) [MVE-253](#) [MVE-273](#) [MVEB-153](#) [1700096](#) [1705142](#) [1712417](#) [1713020](#) [1713088](#) [1745195](#) [1760594](#) [1776118-2](#) [1790852](#) [1-796689-8](#)
[1-796692-6](#) [1800001](#) [1800114](#) [1995279](#) [20020314-C121B01LF](#) [20020316-G041B01LF](#) [CB2-12](#) [KP03215000J0G](#) [KP04215000J0G](#) [S451](#)
[282802-2](#) [29.007](#) [29.116](#)